

US00D503750S

(12) **United States Design Patent**  
**Kit et al.**

(10) **Patent No.:** **US D503,750 S**

(45) **Date of Patent:** **\*\* Apr. 5, 2005**

(54) **VIDEO GAME CONSOLE**

(75) Inventors: **Donny Leung Chi Kit**, Yuen Long  
(HK); **Lee Wan Tat**, North Point (HK)

(73) Assignee: **VTech Electronics Ltd.**, Tai Po (HK)

(\*\*) Term: **14 Years**

(21) Appl. No.: **29/192,081**

(22) Filed: **Oct. 17, 2003**

(51) **LOC (7) Cl.** ..... **21-01**

(52) **U.S. Cl.** ..... **D21/324; D21/332; D21/328**

(58) **Field of Search** ..... **D21/324, 328,**  
**D21/332, 333; D14/400, 401, 496; 273/148 B;**  
**463/1, 29-35, 46, 47**

(56) **References Cited**

**U.S. PATENT DOCUMENTS**

D318,577 S	*	7/1991	Chadwick et al.	.....	D6/366
5,161,803 A	*	11/1992	Ohara	.....	463/44
5,184,830 A	*	2/1993	Okada et al.	.....	463/29
5,213,327 A	*	5/1993	Kitaue	.....	463/38
D379,832 S	*	6/1997	Ashida	.....	D21/332
5,643,087 A	*	7/1997	Marcus et al.	.....	463/38
D393,884 S	*	4/1998	Hayami	.....	D21/332
D412,940 S	*	8/1999	Kato et al.	.....	D21/324

D419,199 S	*	1/2000	Cordell et al.	.....	D21/332
D435,272 S	*	12/2000	Swanson et al.	.....	D21/328
6,540,611 B1	*	4/2003	Nagata	.....	463/31
6,743,104 B1	*	6/2004	Ota et al.	.....	463/44

\* cited by examiner

*Primary Examiner*—Prabhakar Deshmukh

(74) *Attorney, Agent, or Firm*—Greenberg Traurig LLP

(57) **CLAIM**

The ornamental design for video game console, as shown and described.

**DESCRIPTION**

FIG. 1 is a side perspective view of the video game console according to the invention, showing our new ornamental design;

FIG. 2 is a top plan view thereof;

FIG. 3 is a bottom plan view thereof;

FIG. 4 is a front elevational view thereof;

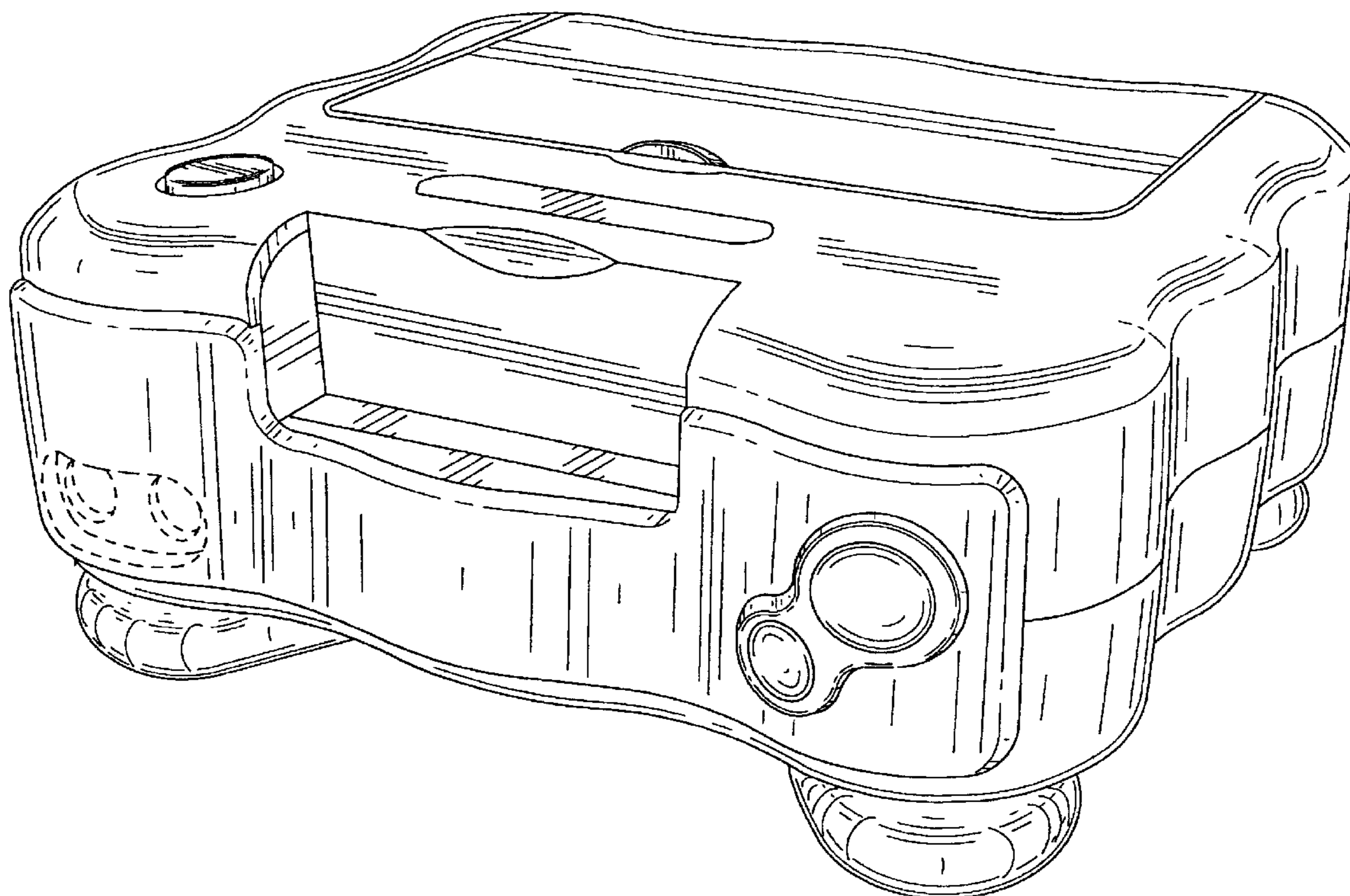
FIG. 5 is a back elevational view thereof;

FIG. 6 is a left side elevational view thereof; and,

FIG. 7 is a right side elevational view thereof.

The broken lines are for illustrative purpose only and form no part of the claimed design.

**1 Claim, 5 Drawing Sheets**



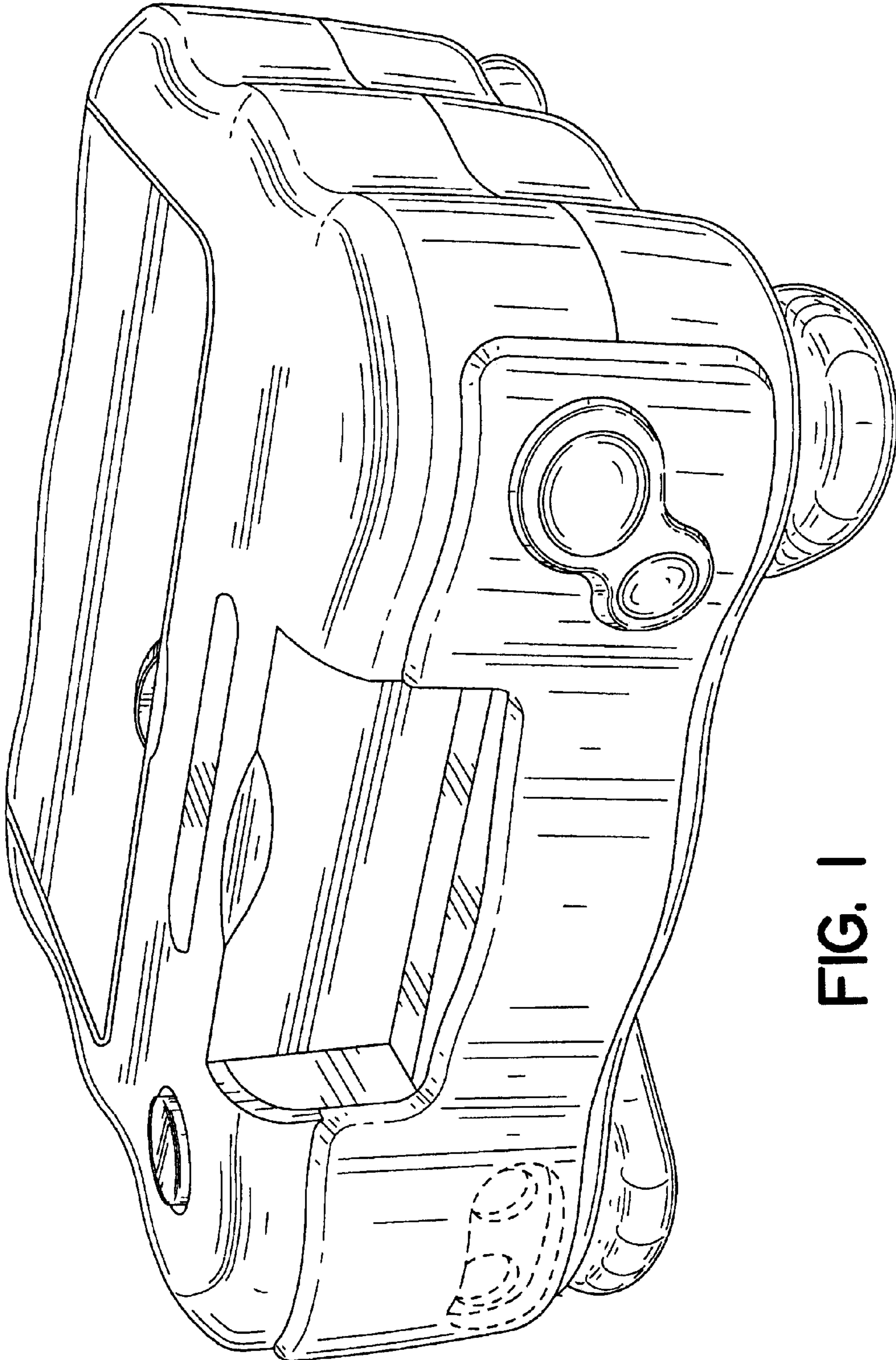


FIG. 1

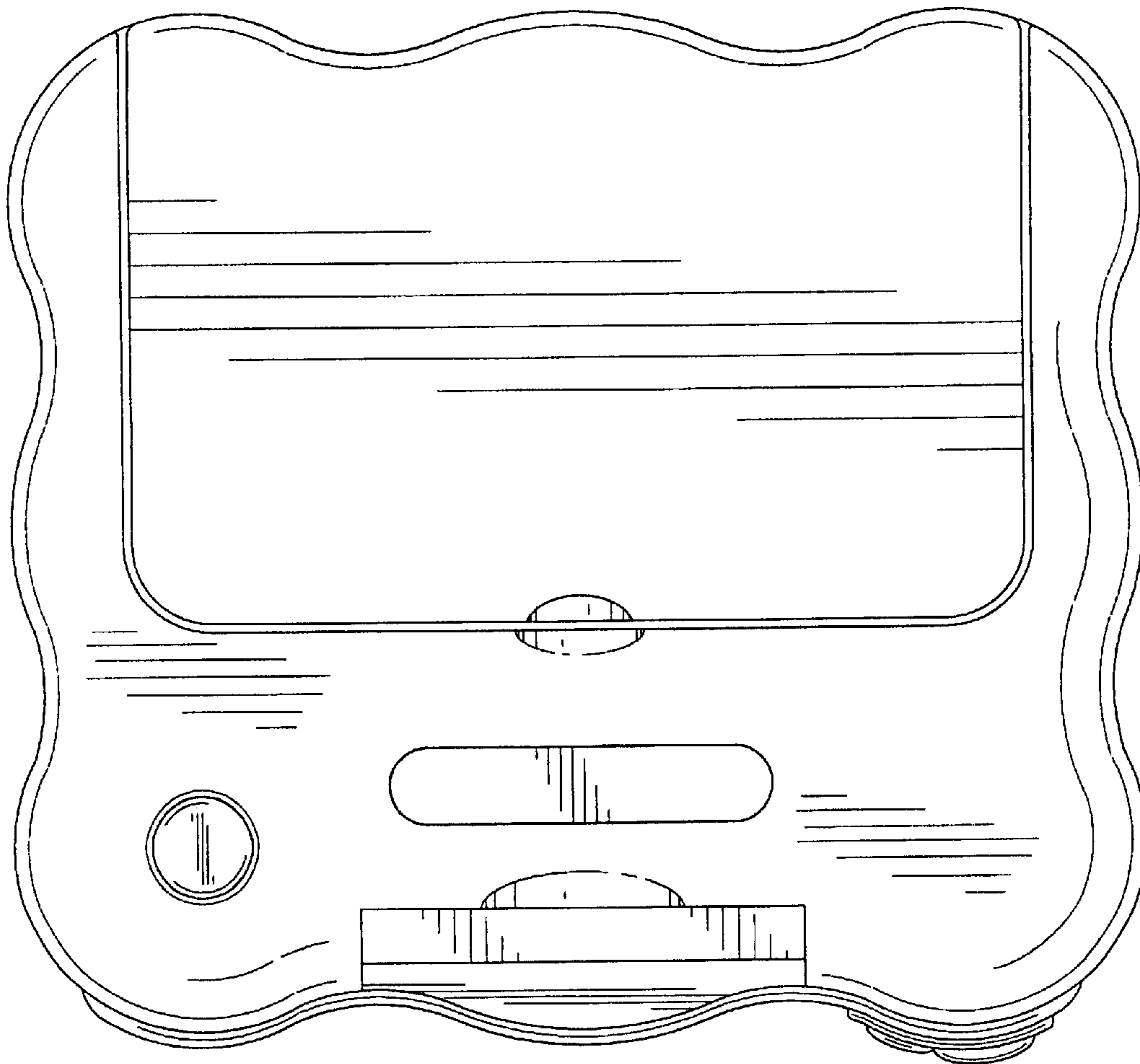


FIG. 2

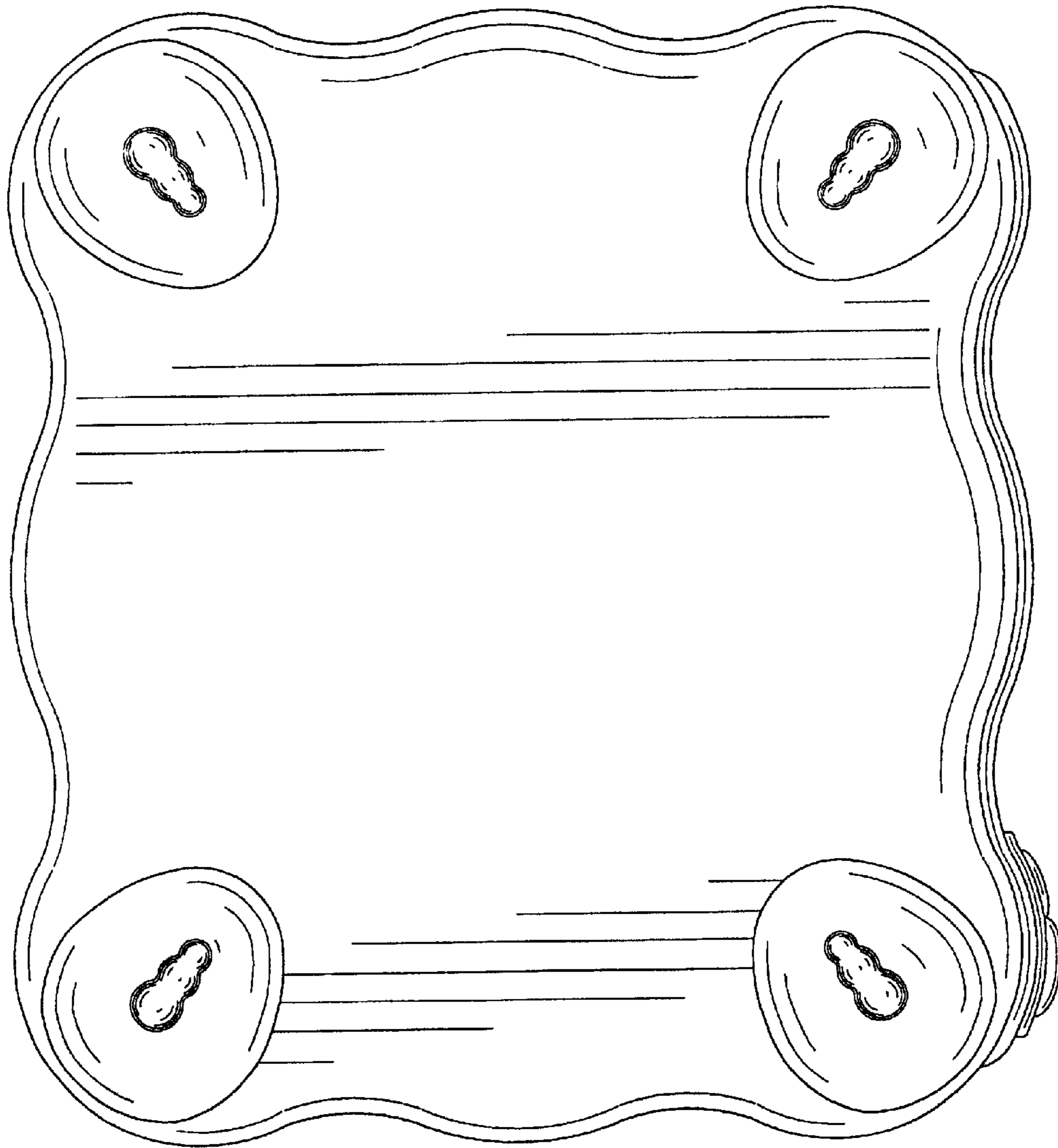


FIG. 3

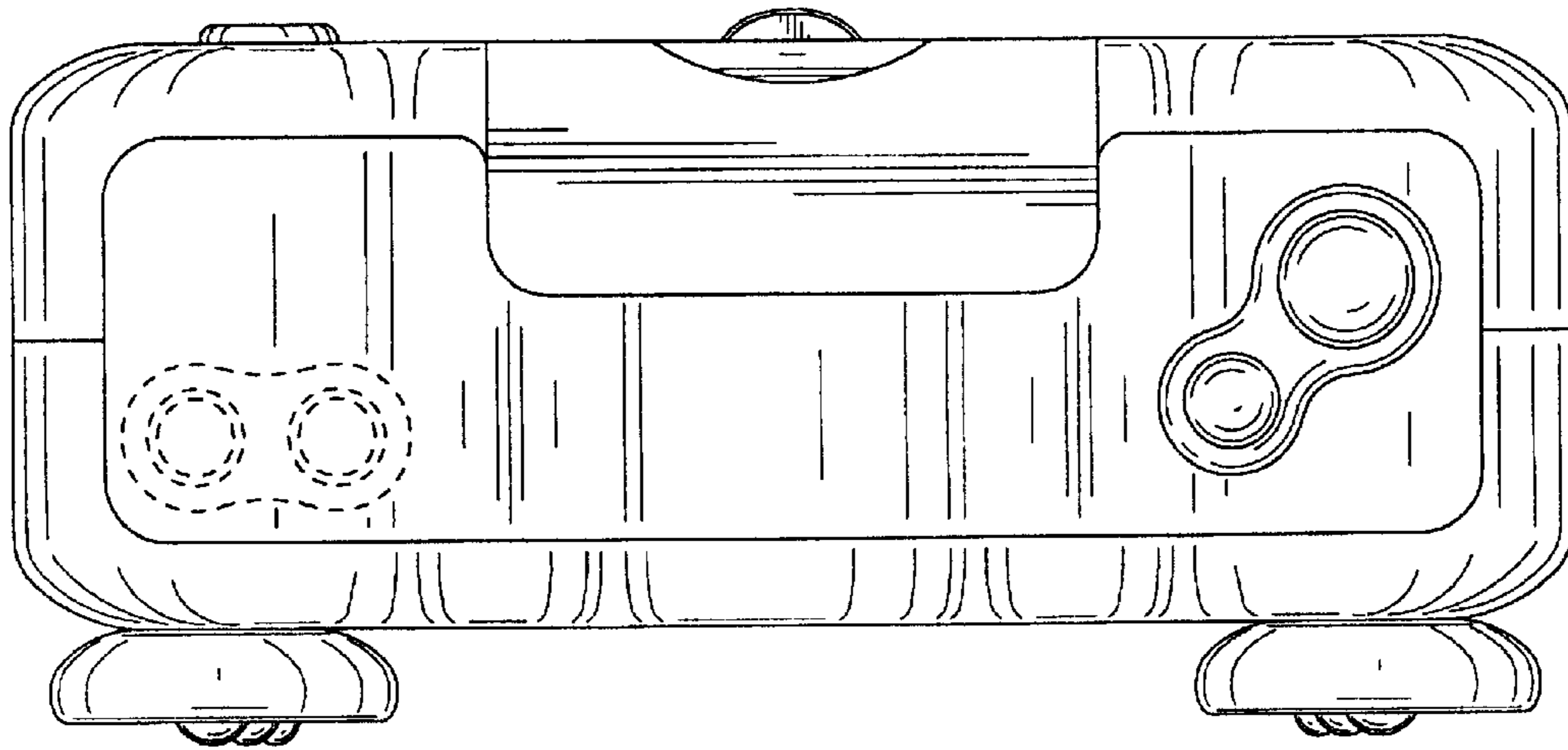


FIG. 4

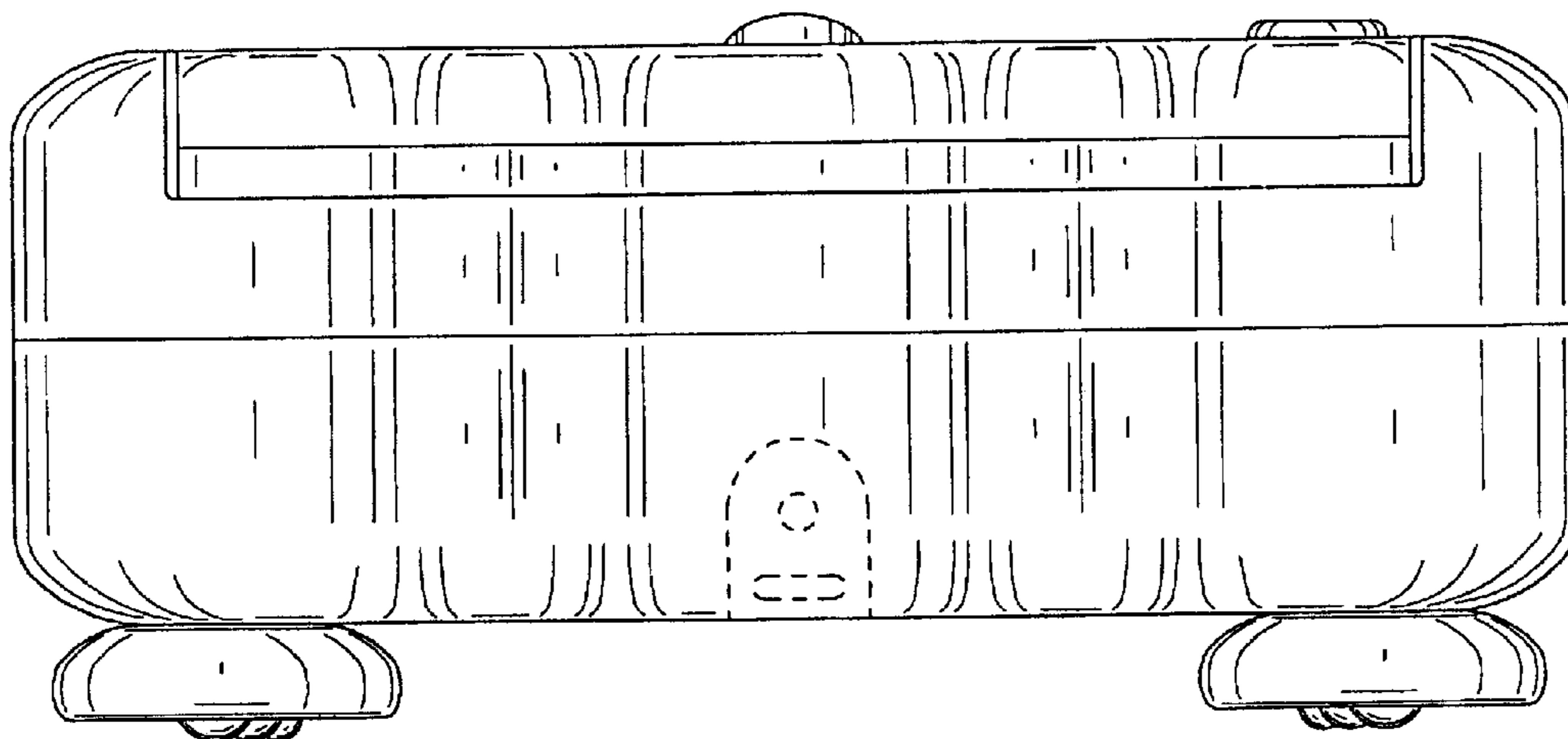


FIG. 5

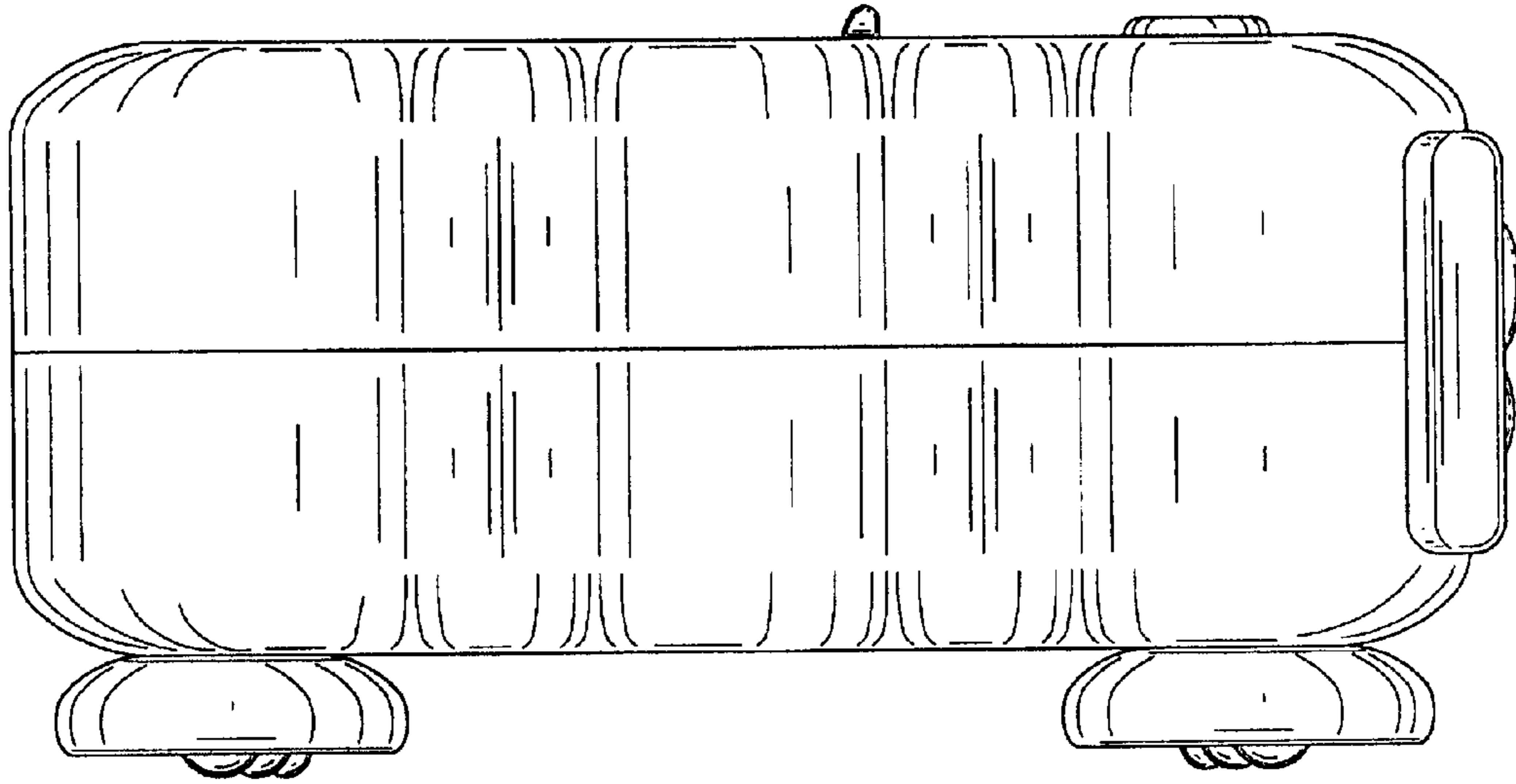


FIG. 6

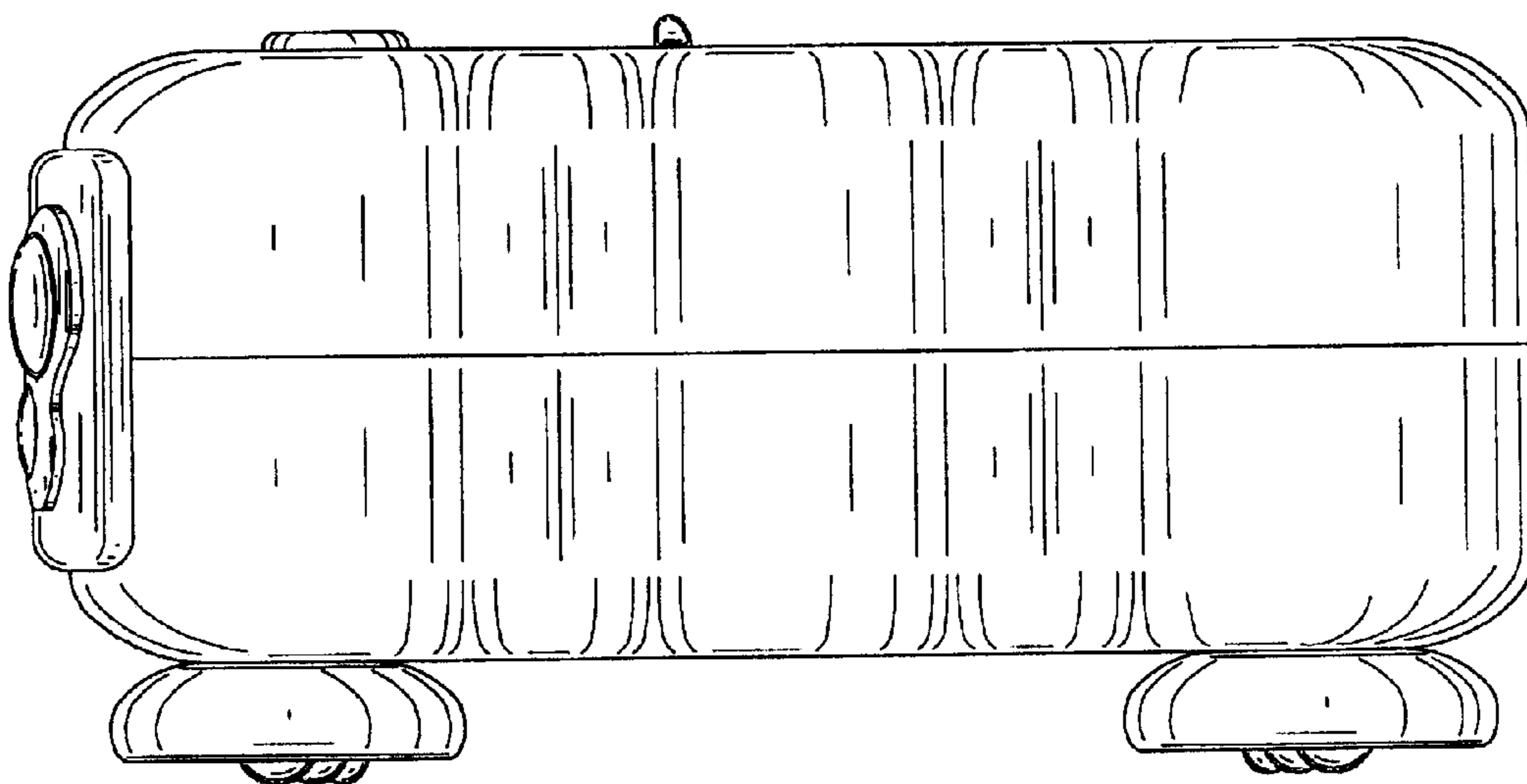


FIG. 7