

US00D503749S

(12) **United States Design Patent**
Crawford

(10) **Patent No.:** **US D503,749 S**

(45) **Date of Patent:** **** Apr. 5, 2005**

(54) **SIGN SUPPORT BASE**

(76) **Inventor:** **Gregg Hugh Crawford**, 721 W. Maple Ave., Adrian, MI (US) 49221

(**) **Term:** **14 Years**

(21) **Appl. No.:** **29/200,208**

(22) **Filed:** **Feb. 26, 2004**

(51) **LOC (7) Cl.** **20-03**

(52) **U.S. Cl.** **D20/41**

(58) **Field of Search** D20/10, 17, 39, D20/41, 43, 99; 40/368-9, 584, 602, 604-605, 606.01, 611.05-611.06, 624

(56) **References Cited**

U.S. PATENT DOCUMENTS

D65,103 S	*	7/1924	Cusack	D20/39
2,865,124 A	*	12/1958	Mortellito	40/605
D252,466 S	*	7/1979	Tidwell	D20/41
4,408,407 A	*	10/1983	Bloom et al.	40/611.05
4,916,840 A	*	4/1990	Getz	40/605
D396,065 S	*	7/1998	Johnson et al.	D20/41
D399,261 S	*	10/1998	Humphrey	D20/41
D408,864 S	*	4/1999	Linko, Sr.	D20/41
D450,776 S	*	11/2001	Albrecht	D20/10
D457,918 S	*	5/2002	Linko, Sr.	D20/10

D477,036 S	*	7/2003	Gaines et al.	D20/41
6,655,062 B1	*	12/2003	Meeker	40/611.05
D491,609 S	*	6/2004	Linko, Sr.	D20/41

* cited by examiner

Primary Examiner—Robert M. Spear

(57) **CLAIM**

The ornamental design for a sign support base, as shown and described.

DESCRIPTION

FIG. 1 is an exploded isometric view of a sign support base showing my new design;

FIG. 2 is an enlarged isometric view of an assembled version of FIG. 1 with the sign support mounted in place to the support base and the top lid portion in place.

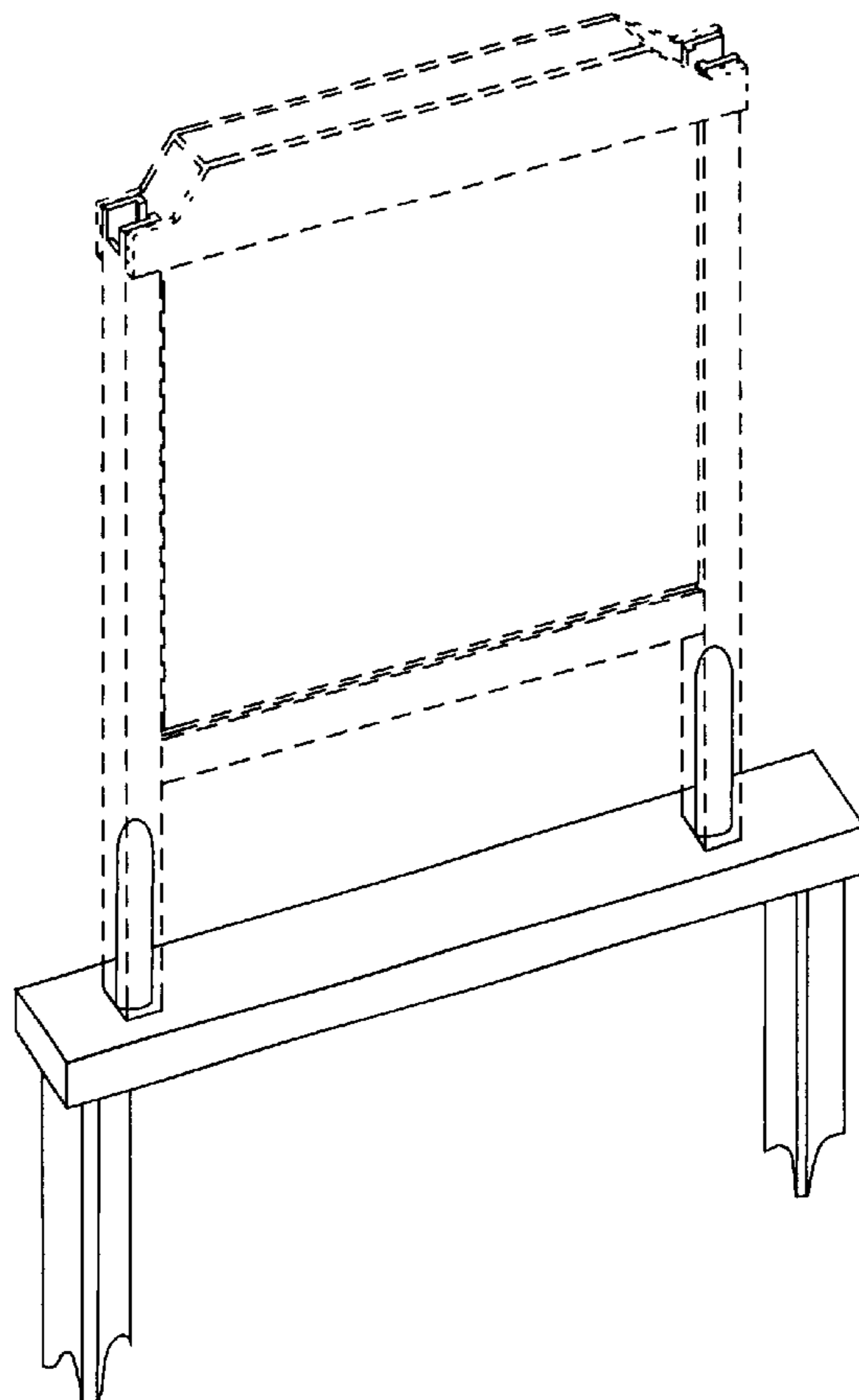
FIG. 3 is a front elevational view of FIG. 2, with the back elevational view being the mirror image of the front.

FIG. 4 is a right side elevational view of FIG. 3, with the left side elevational view being the mirror image of the right; and,

FIG. 5 is the top view of FIG. 3.

The broken lines in the drawings represent environment structure only and form no part of the claimed design.

1 Claim, 3 Drawing Sheets



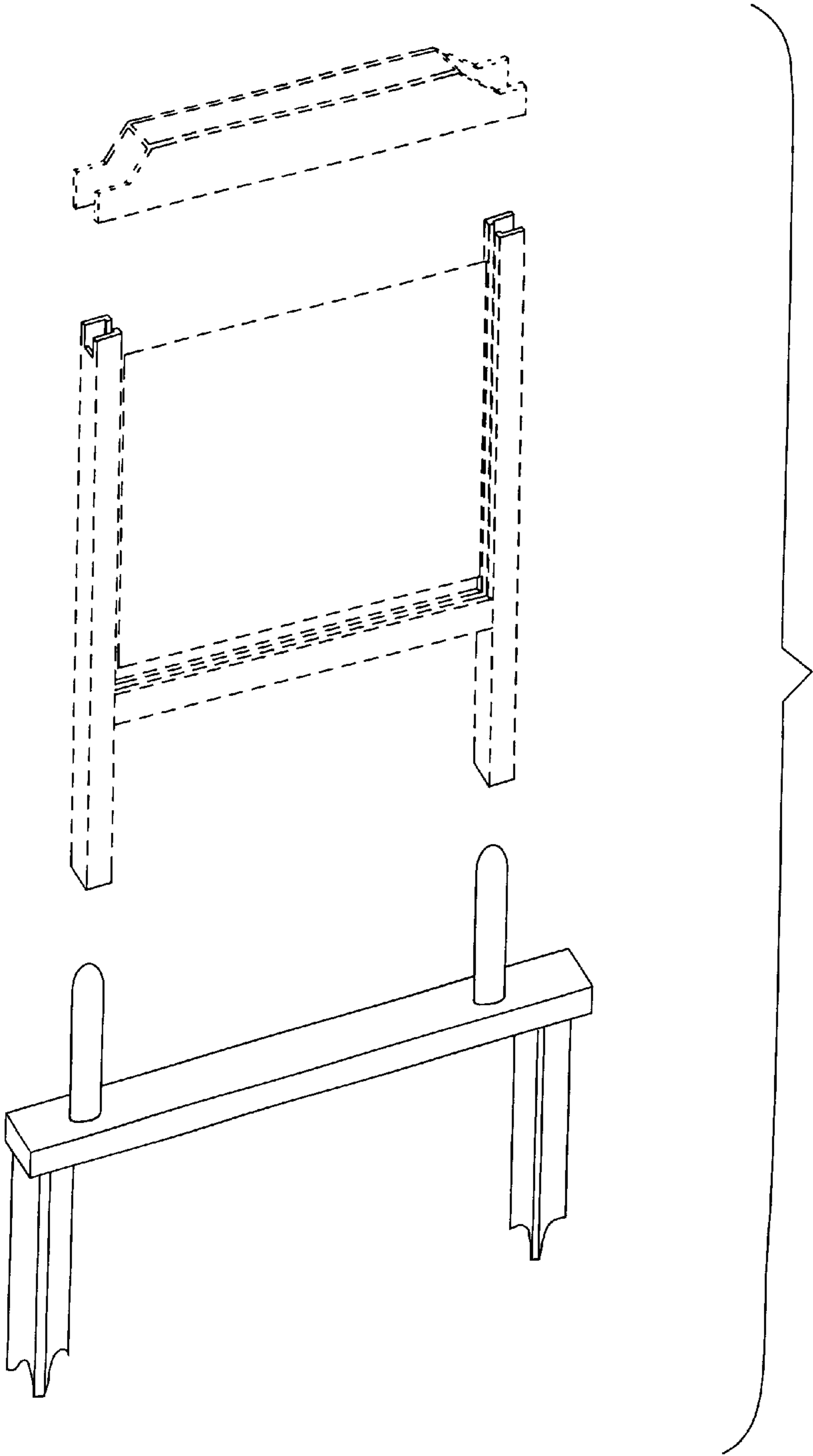


Figure 1

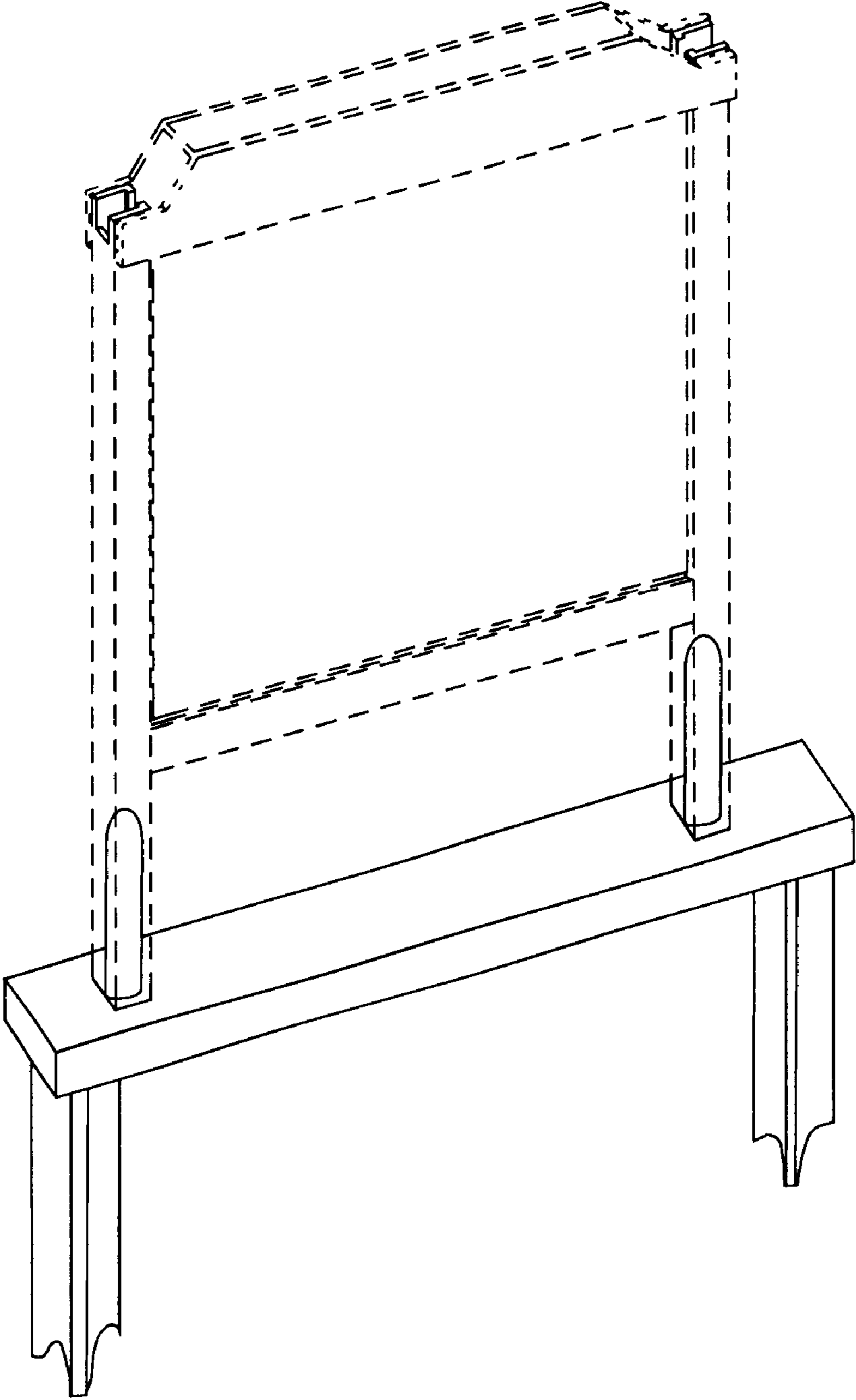


Figure 2

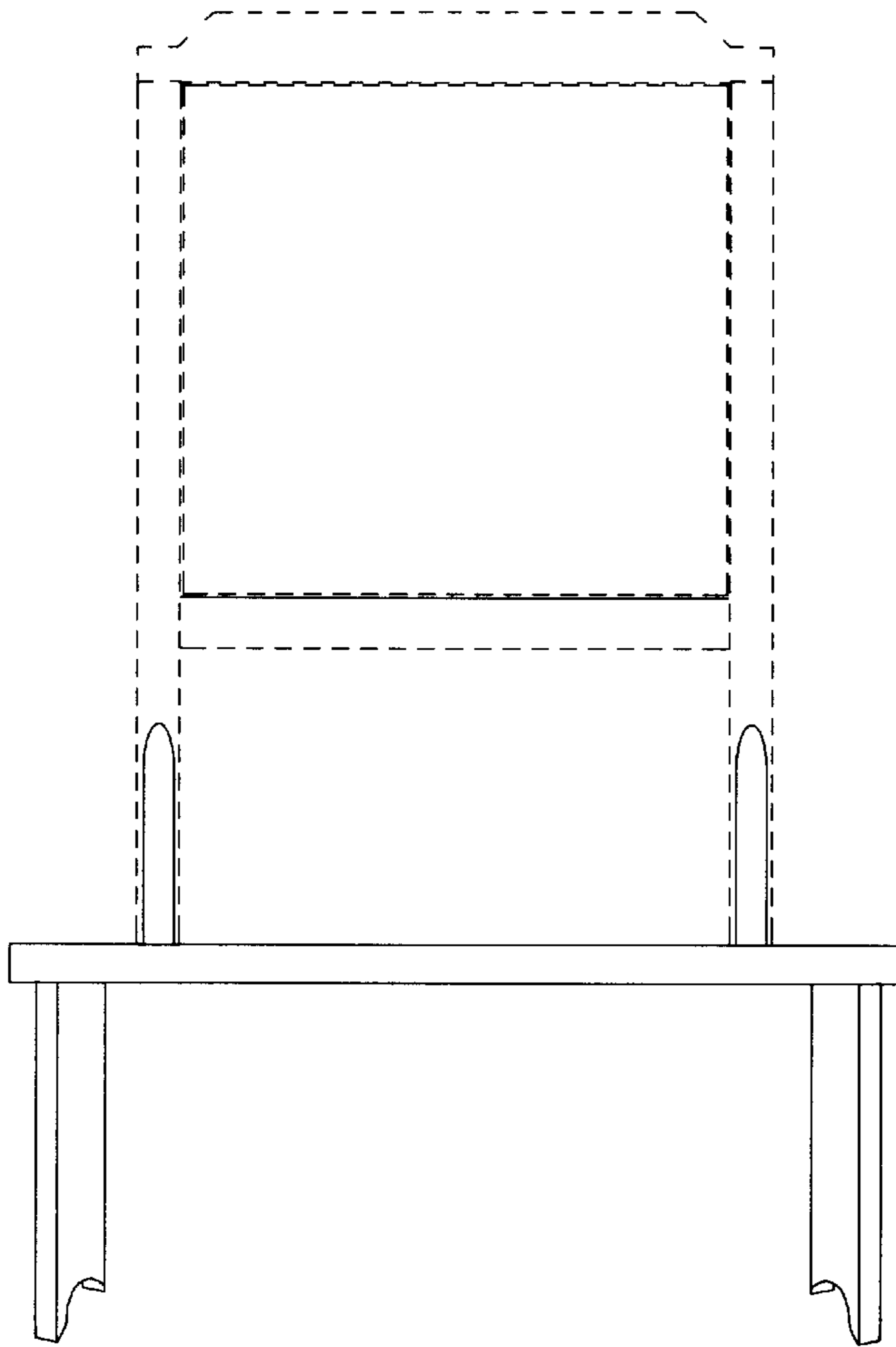


Figure 3

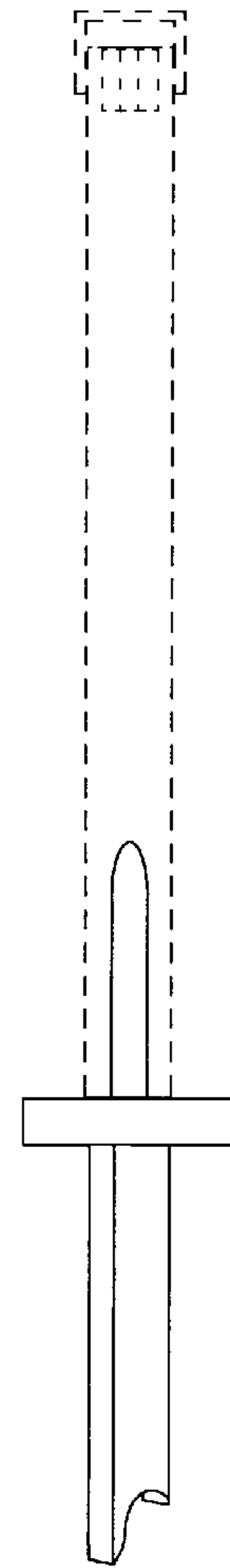


Figure 4

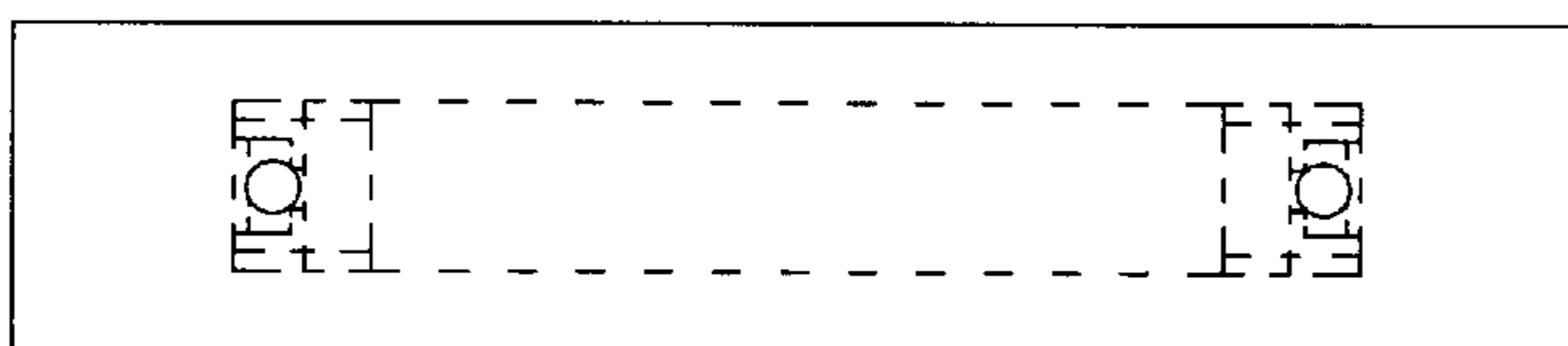


Figure 5