



US00D503744S

(12) **United States Design Patent** (10) **Patent No.:** **US D503,744 S**
Mirkovic et al. (45) **Date of Patent:** **** Apr. 5, 2005**

(54) **LOTTERY TICKET DISPENSER**
(75) Inventors: **Zoran Mirkovic**, Lebanon, OH (US);
Curtis Woods, Centerville, OH (US)
(73) Assignee: **GTECH Corporation**, West
Greenwich, RI (US)
(**) Term: **14 Years**

(21) Appl. No.: **29/186,940**
(22) Filed: **Jul. 24, 2003**

(51) **LOC (7) Cl.** **20-01**
(52) **U.S. Cl.** **D20/2**
(58) **Field of Search** D20/1-9; 194/239,
194/320, 342, 350; 221/92, 128, 155, 191,
194, 284; 463/17; D6/515; D19/67

(56) **References Cited**

U.S. PATENT DOCUMENTS

D89,813 S	*	5/1933	Yendes	D21/370
3,767,081 A	*	10/1973	Wittern	221/90
4,716,799 A		1/1988	Hartmann		
4,738,384 A		4/1988	Tigner		
4,797,540 A		1/1989	Kimizu		
4,833,307 A		5/1989	Gonzalez-Justiz		
4,858,806 A		8/1989	Schafer		
D309,224 S		7/1990	Rabin		
4,982,337 A	*	1/1991	Burr et al.	700/235
4,993,714 A		2/1991	Golightly		
4,995,507 A		2/1991	Schafer		
D319,264 S		8/1991	Schafer		
5,111,939 A		5/1992	Schafer		
D329,159 S		9/1992	Oldorf		
D329,877 S		9/1992	Schafer		
5,160,076 A		11/1992	Ford		

(Continued)

OTHER PUBLICATIONS

Rowe Bill Changer, *Vending Times Magazine*, Jun. 1980, p. 44.*
Interlott Technologies, Inc., *Vending Machine*, Oct., 2001.

LEI, *ITR-7000 Instant Ticket Retailer*, Brochure, 1991.
Take-A-Ticket, Inc., *Public Gaming*, Brochure, p. 45, Oct., 1998.
Schaefer Systems, Inc., *Public Gaming*, Brochure, p. 37, Oct., 1998.

Primary Examiner—Robert M. Spear
(74) *Attorney, Agent, or Firm*—Kenyon & Kenyon

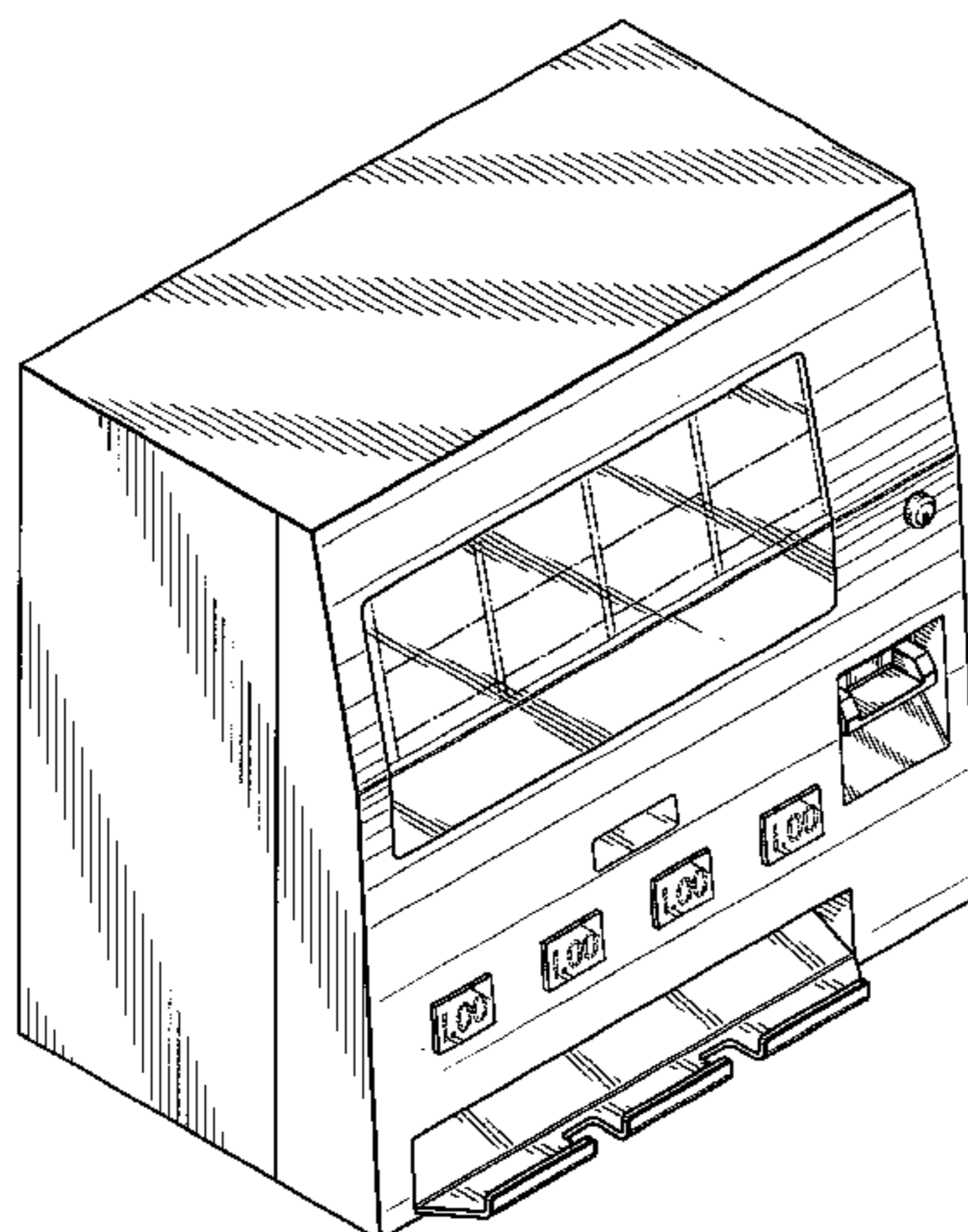
(57) **CLAIM**

The ornamental design for a lottery ticket dispenser, as shown and described.

DESCRIPTION

FIG. 1 is a perspective view of a first embodiment of a lottery ticket dispenser according to our new design. FIG. 2 is a front elevational view of the embodiment of FIG. 1. FIG. 3 is a right side elevational view of the embodiment of FIG. 1 with the opposite side being a mirror image thereof. FIG. 4 is a rear elevational view thereof. FIG. 5 is a bottom plan view thereof. FIG. 6 is a top plan view thereof. FIG. 7 is a perspective view of a second embodiment of a lottery ticket dispenser including a mounting plate according to our new design. FIG. 8 is a front elevational view of the embodiment of FIG. 7. FIG. 9 is a right side elevational view of the embodiment of FIG. 7 mounted upon a vertical surface shown in phantom for environment with the opposite side of the dispenser being a mirror image thereof. FIG. 10 is a rear elevational view thereof. FIG. 11 is a bottom plan view thereof. FIG. 12 is a top plan view thereof; and, FIG. 13 is a cross-sectional view taken along line 13—13 of FIG. 8 showing the dispenser and mounting plate mounted upon the vertical surface for environment. The broken lines in the drawings represent environmental structure only and form no part of the claimed design.

1 Claim, 11 Drawing Sheets



US D503,744 S

Page 2

U.S. PATENT DOCUMENTS

5,222,624 A	6/1993	Burr	
D341,628 S	* 11/1993	Humphrey	D20/4
5,290,033 A	3/1994	Bittner et al.	
5,295,608 A	3/1994	Blasko et al.	
5,399,005 A	3/1995	Schafer	
D359,641 S	6/1995	Kwan	
5,492,398 A	2/1996	Schafer	
D369,622 S	5/1996	Fontaine	
D376,621 S	12/1996	Wells	
D408,667 S	4/1999	Curry	
5,943,241 A	8/1999	Nichols et al.	
D418,702 S	1/2000	Mansel	
D428,060 S	7/2000	Roberts et al.	
D437,890 S	* 2/2001	McGarrah	D20/8
D448,956 S	10/2001	Roberts et al.	
D448,957 S	* 10/2001	Roberts et al.	D6/515
D451,552 S	* 12/2001	Moses, Jr.	D20/1
2001/0006181 A1	7/2001	Roberts et al.	
2001/0034263 A1	10/2001	Roberts	

* cited by examiner

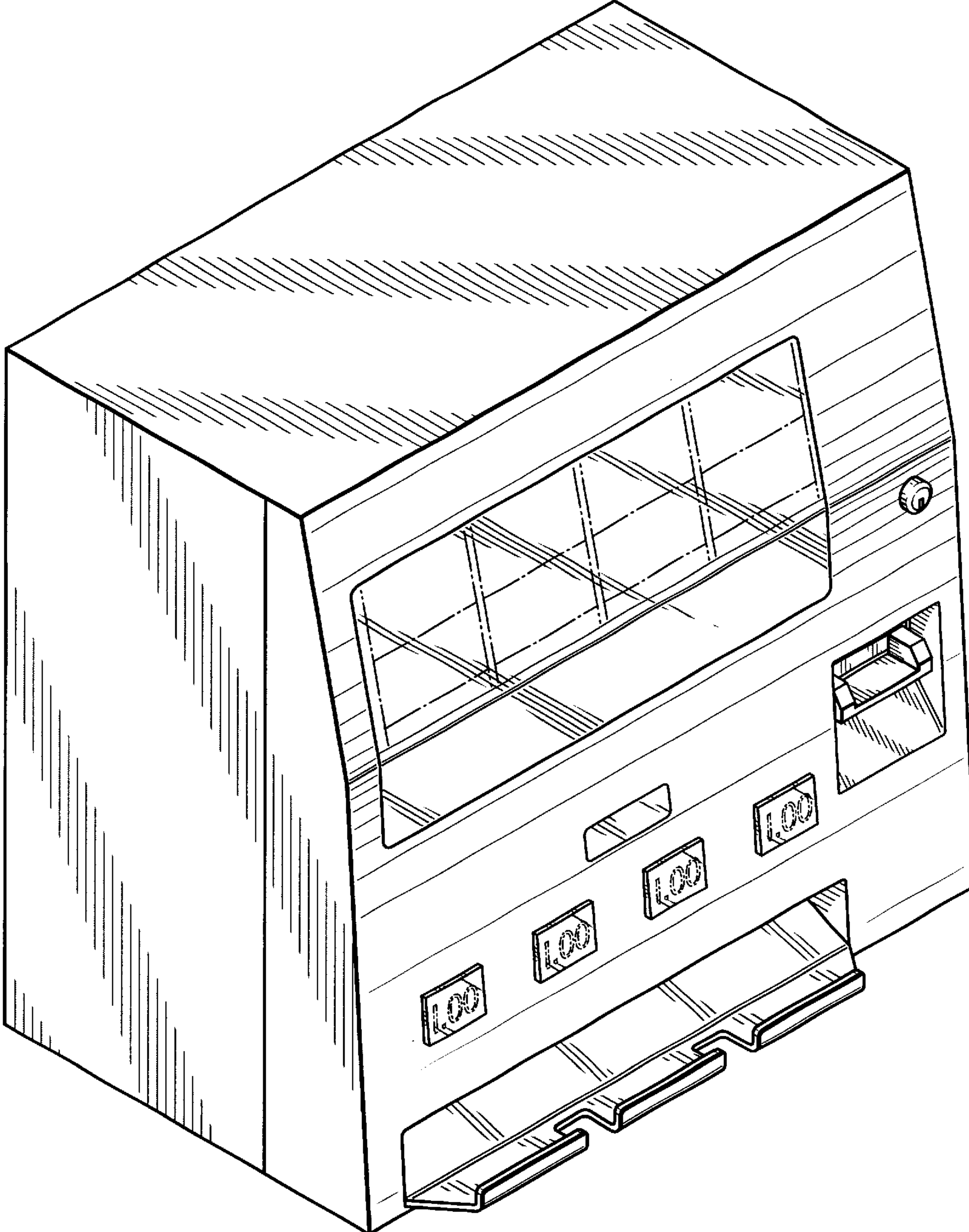


FIG. 1

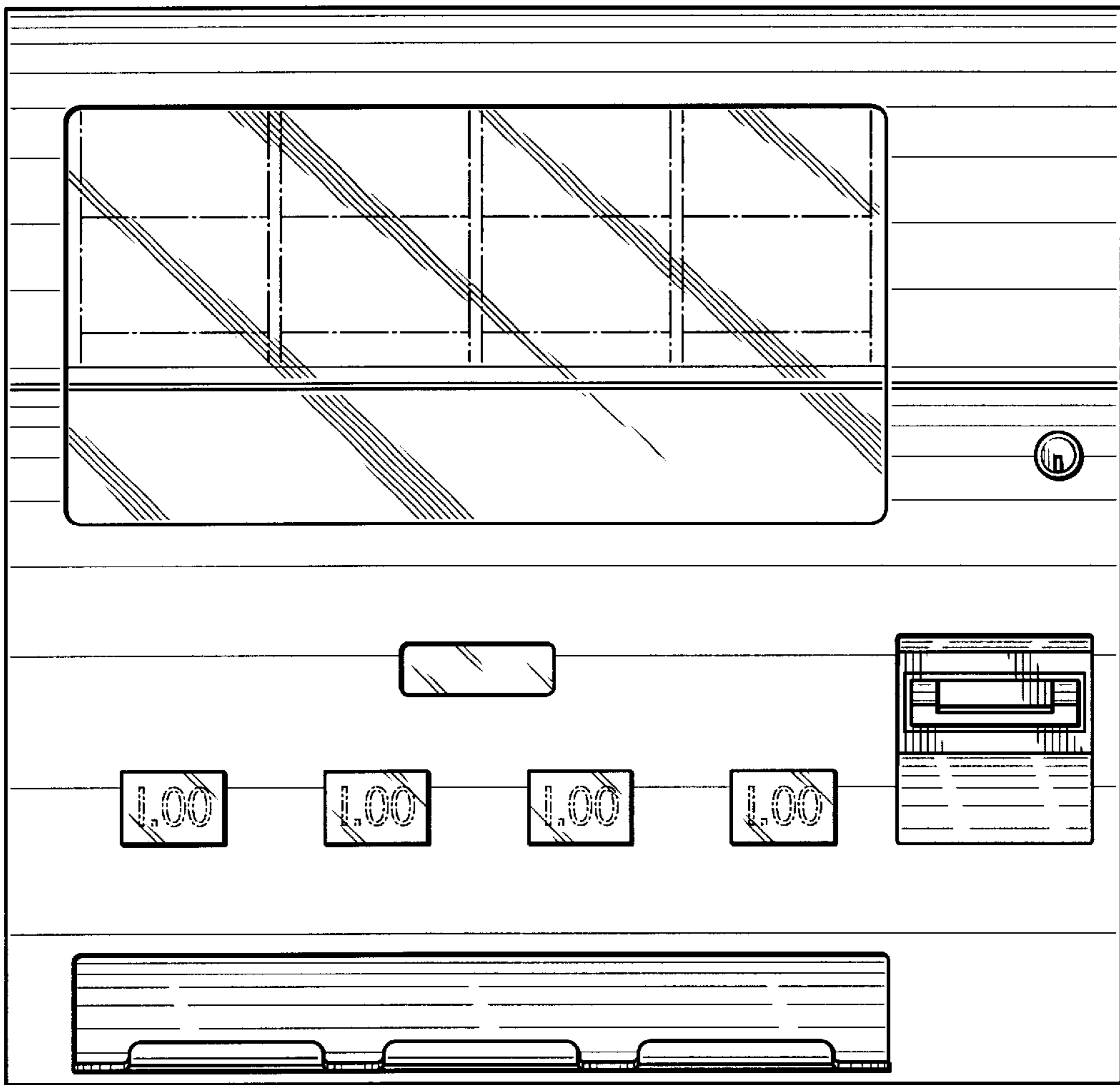


FIG. 2

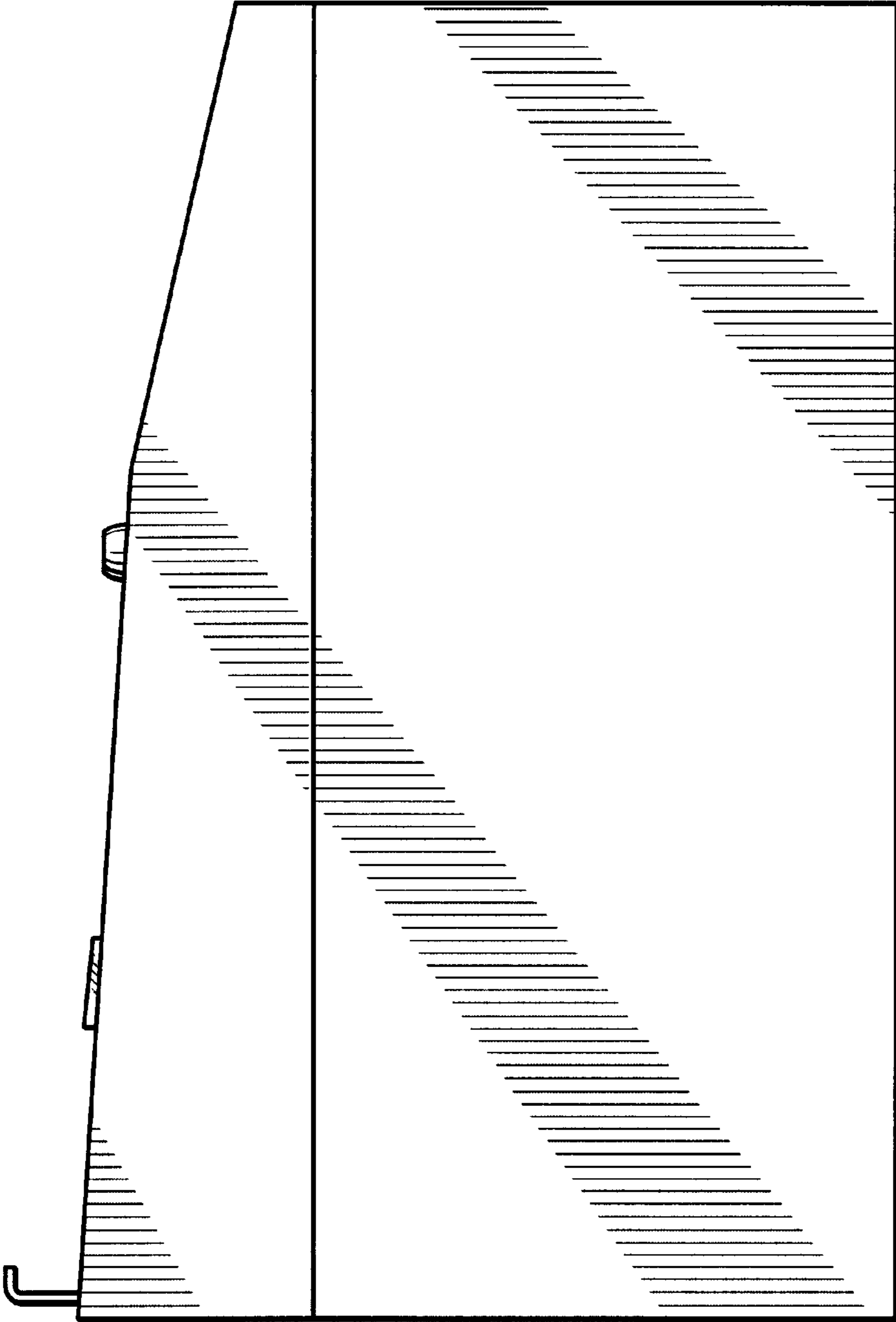


FIG. 3

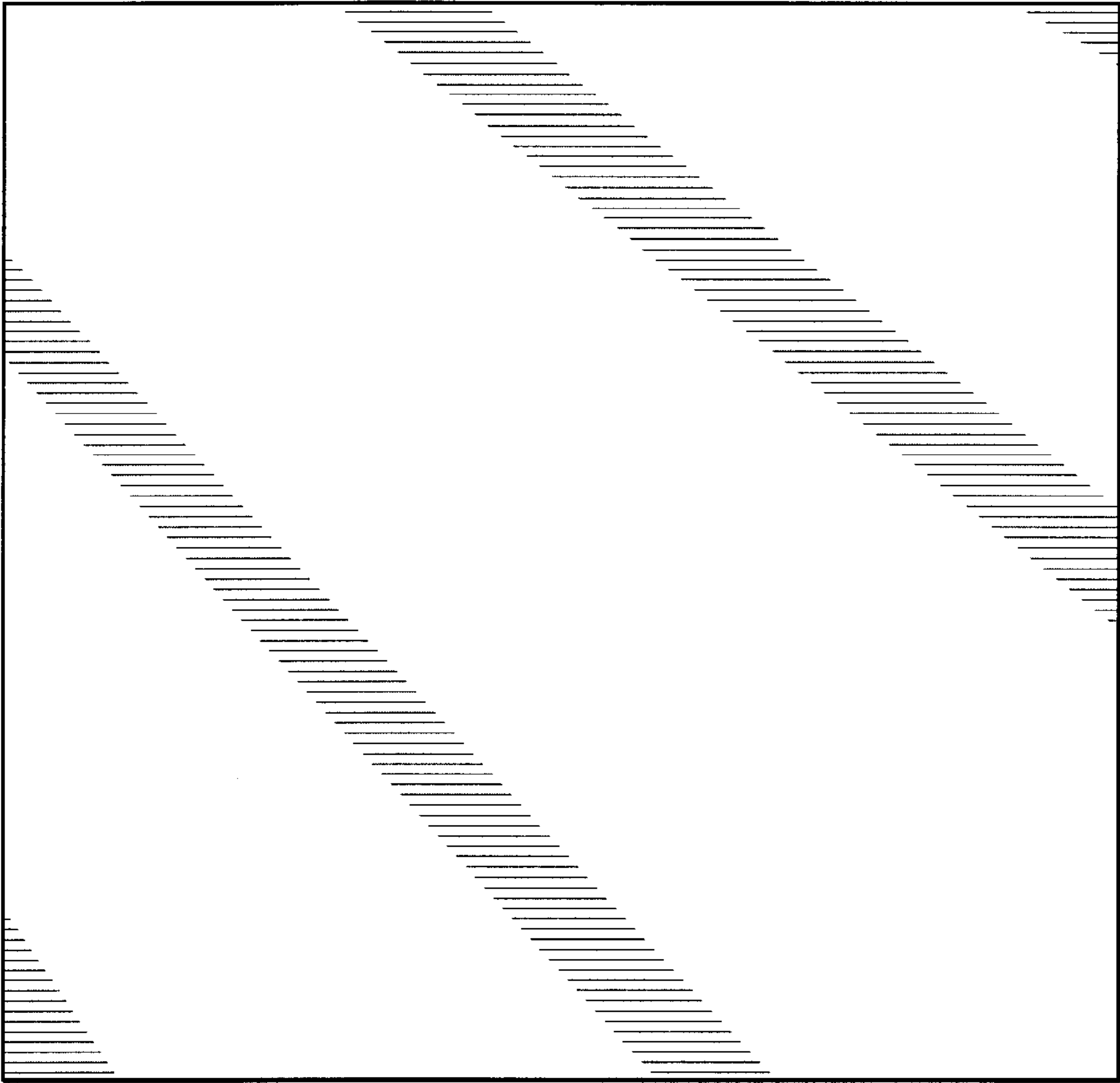


FIG. 4

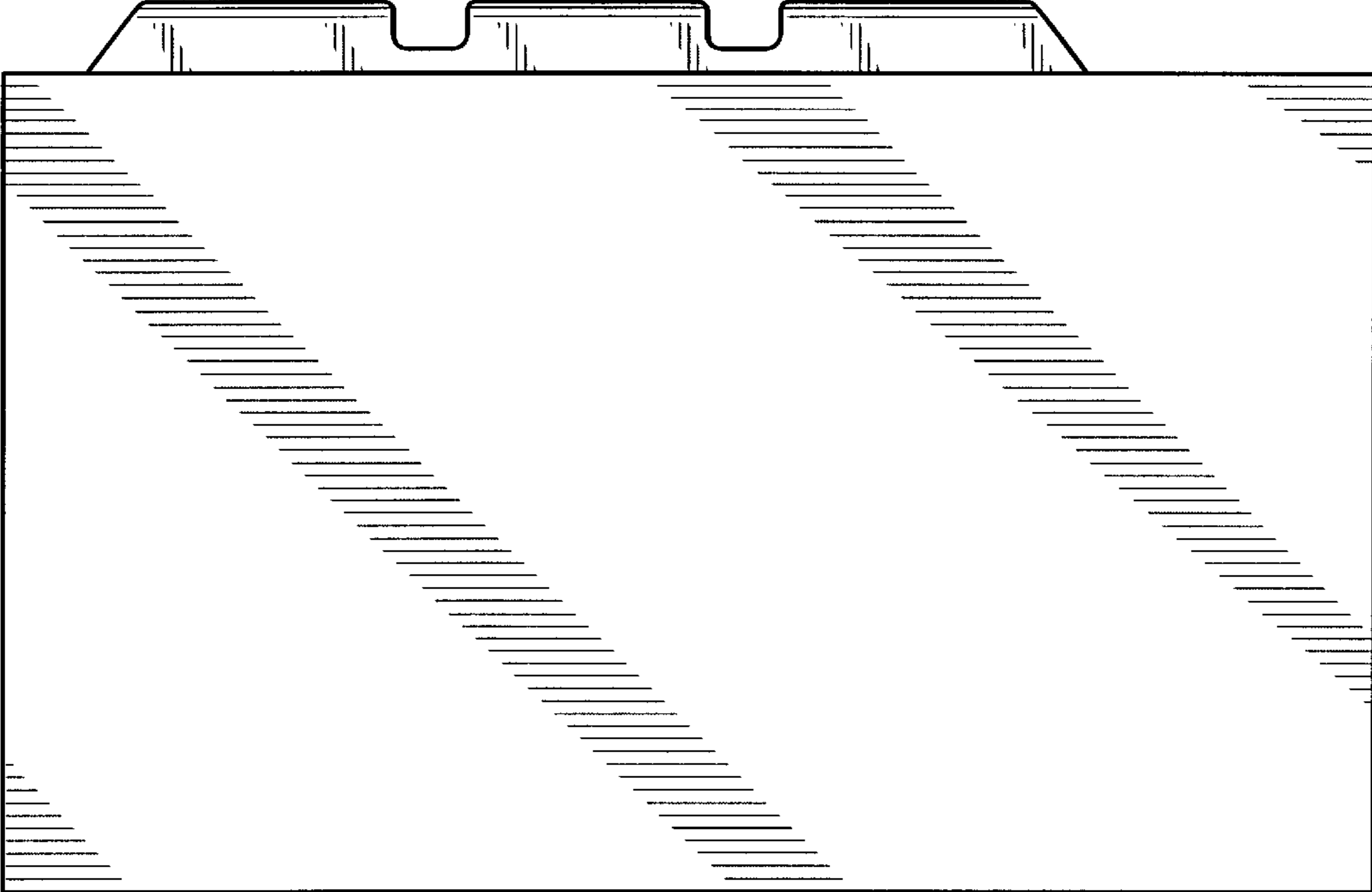


FIG. 5

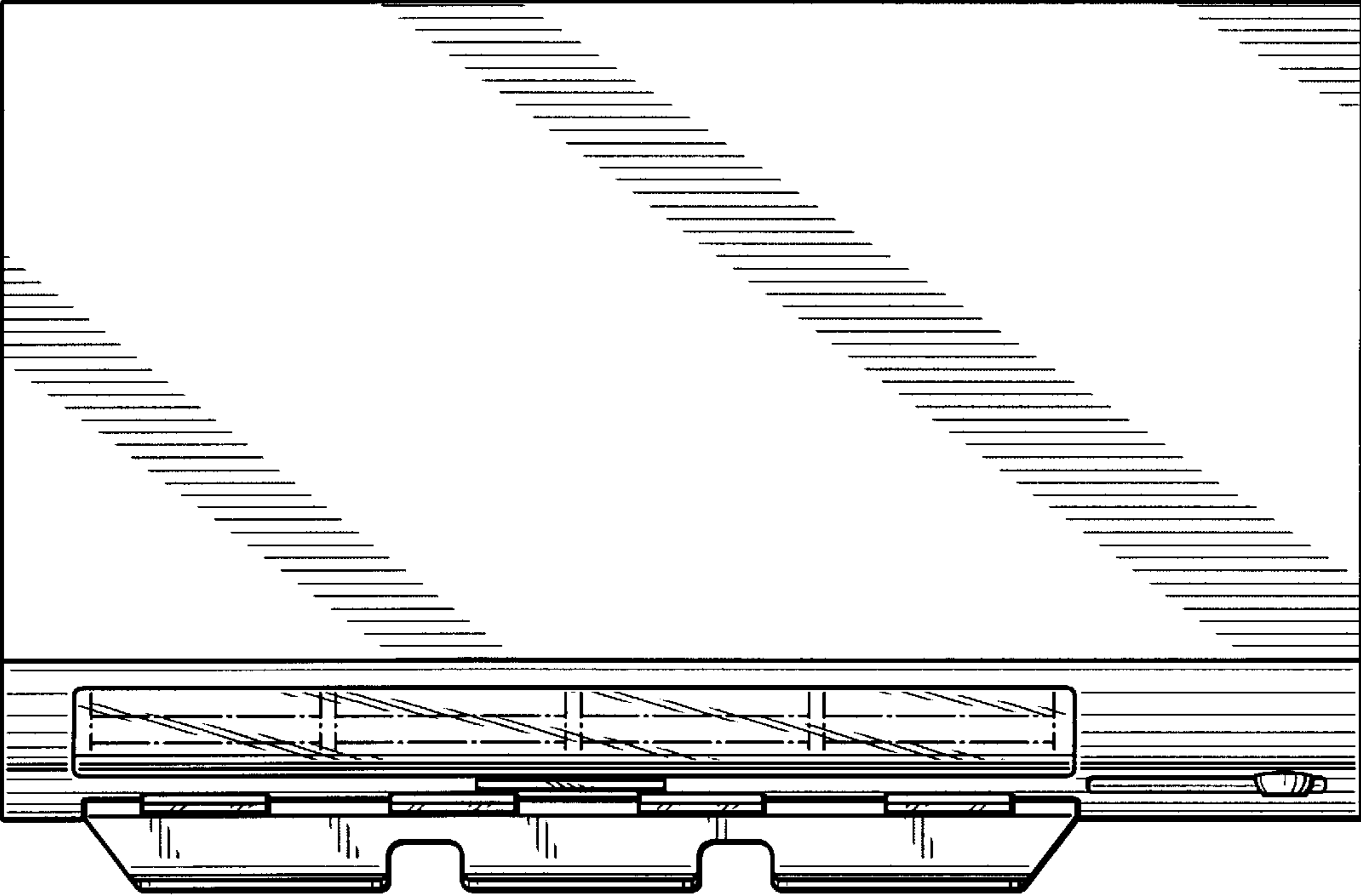


FIG. 6

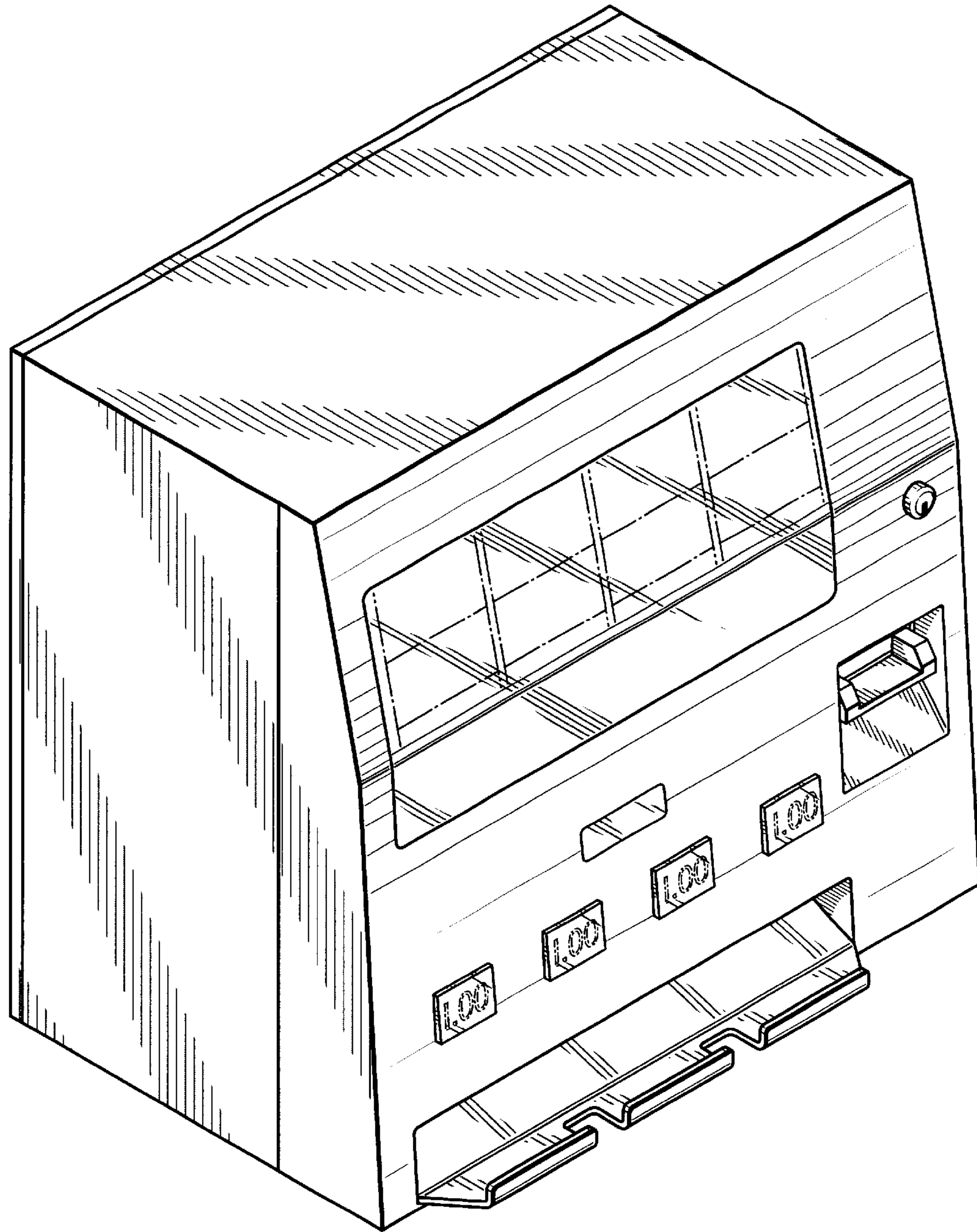


FIG. 7

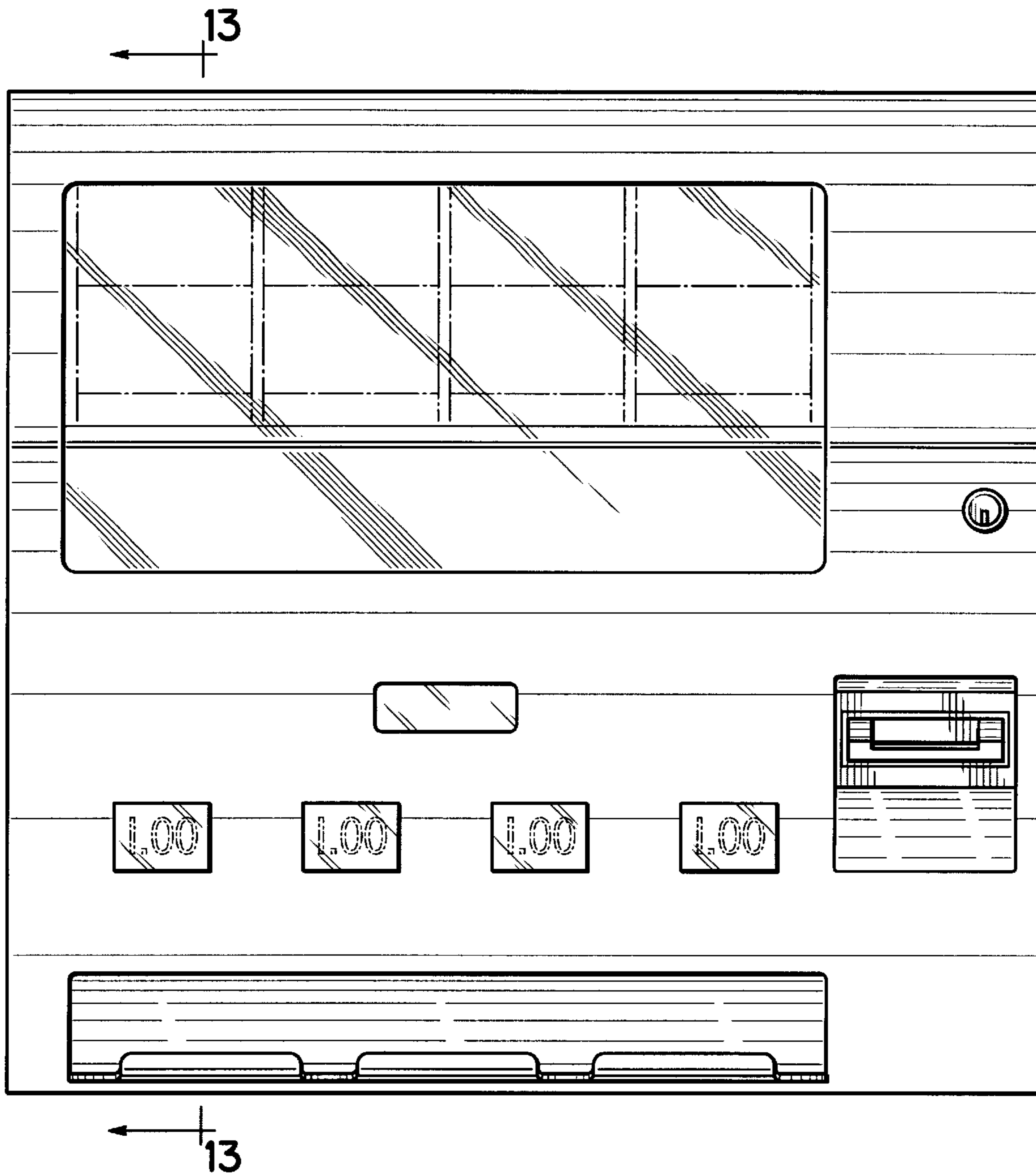


FIG. 8

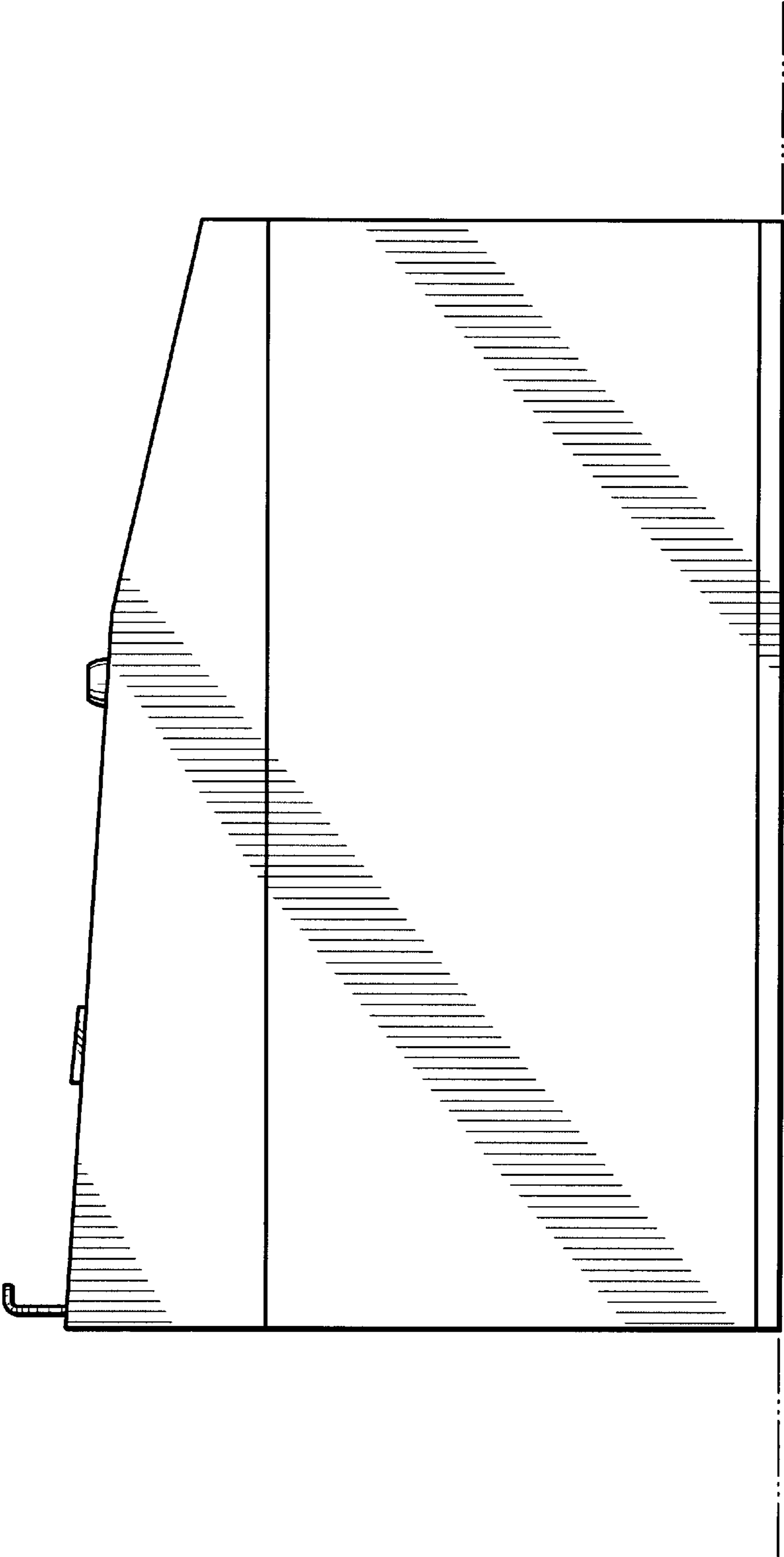


FIG. 9

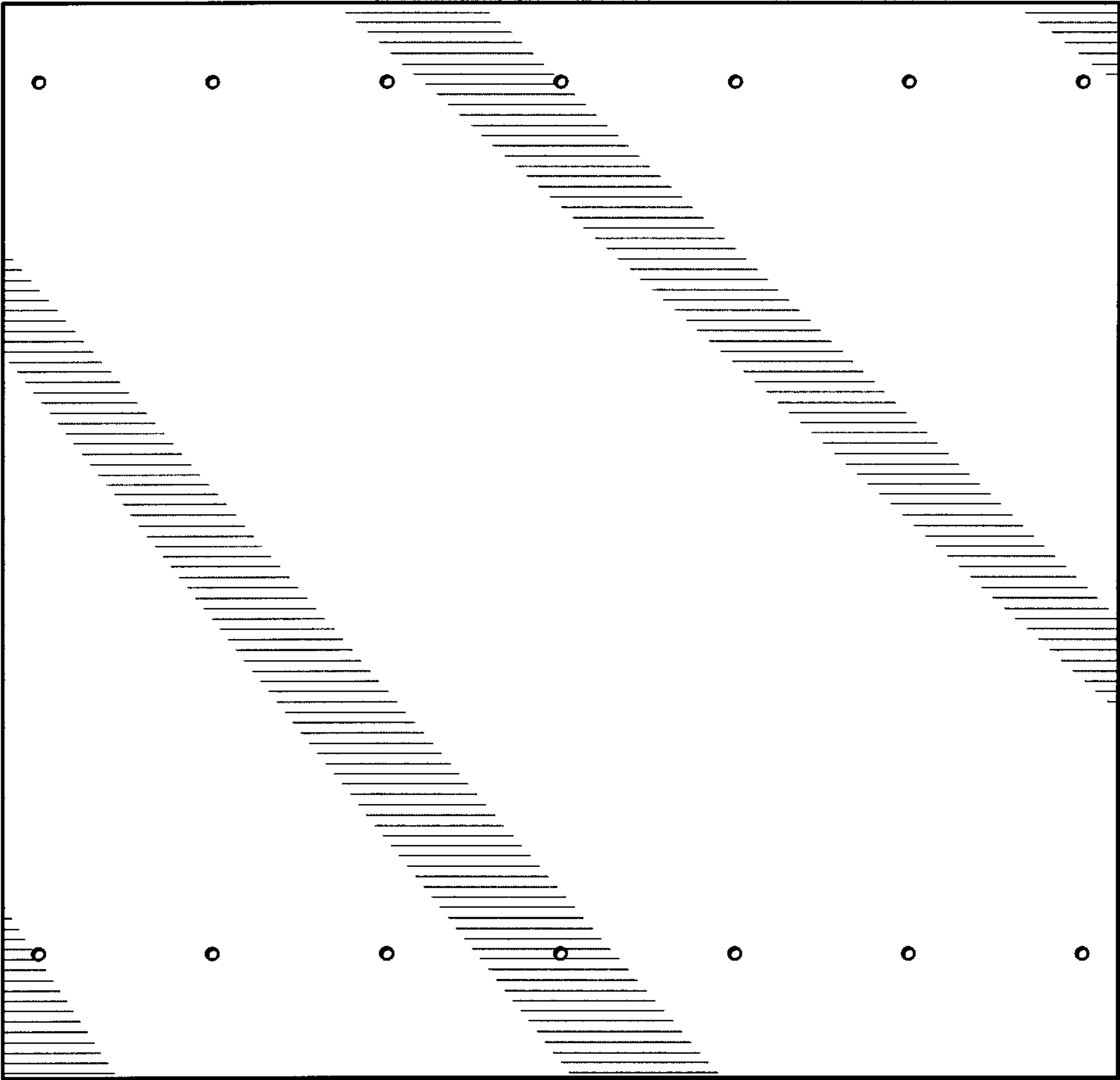


FIG. 10

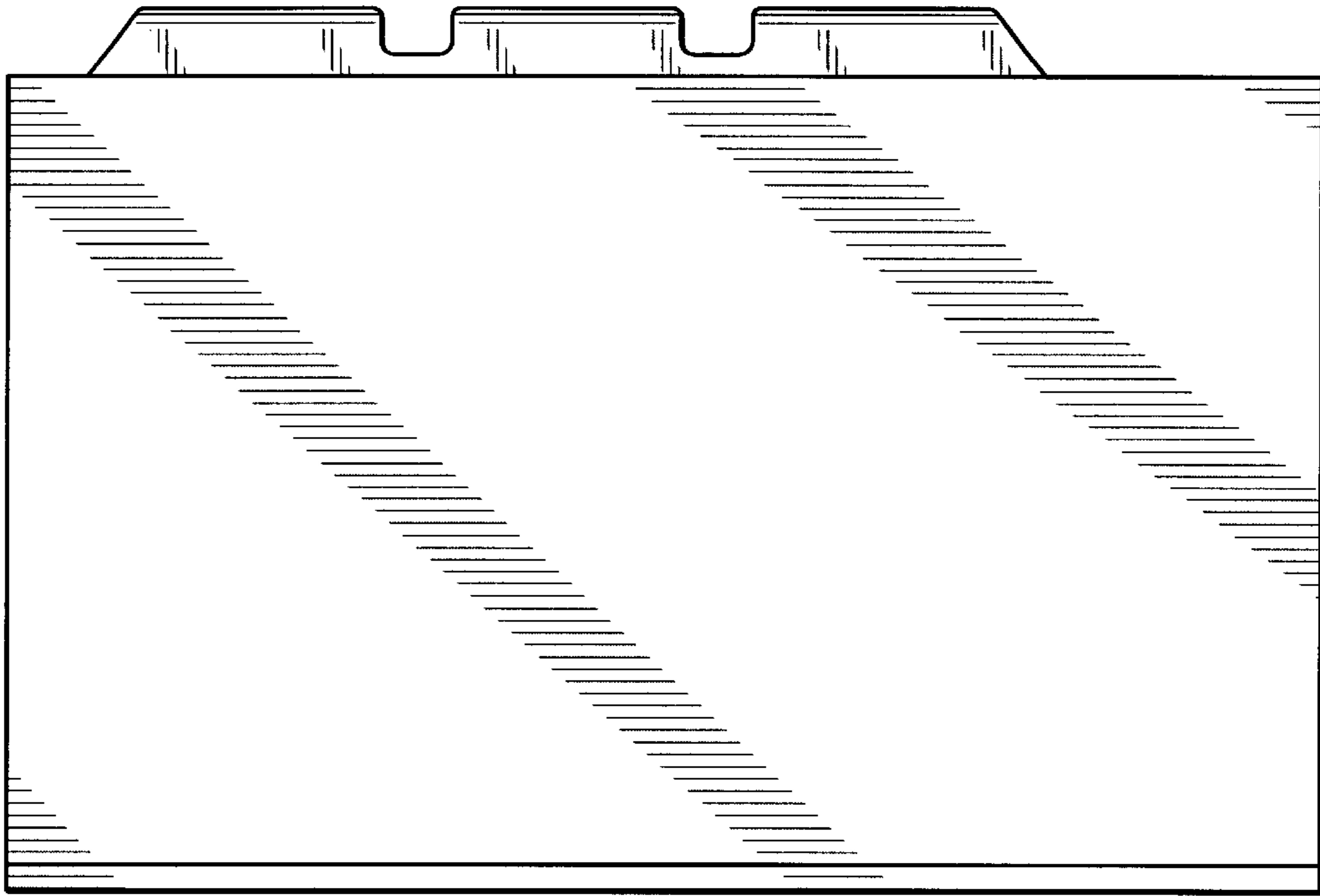


FIG. 11

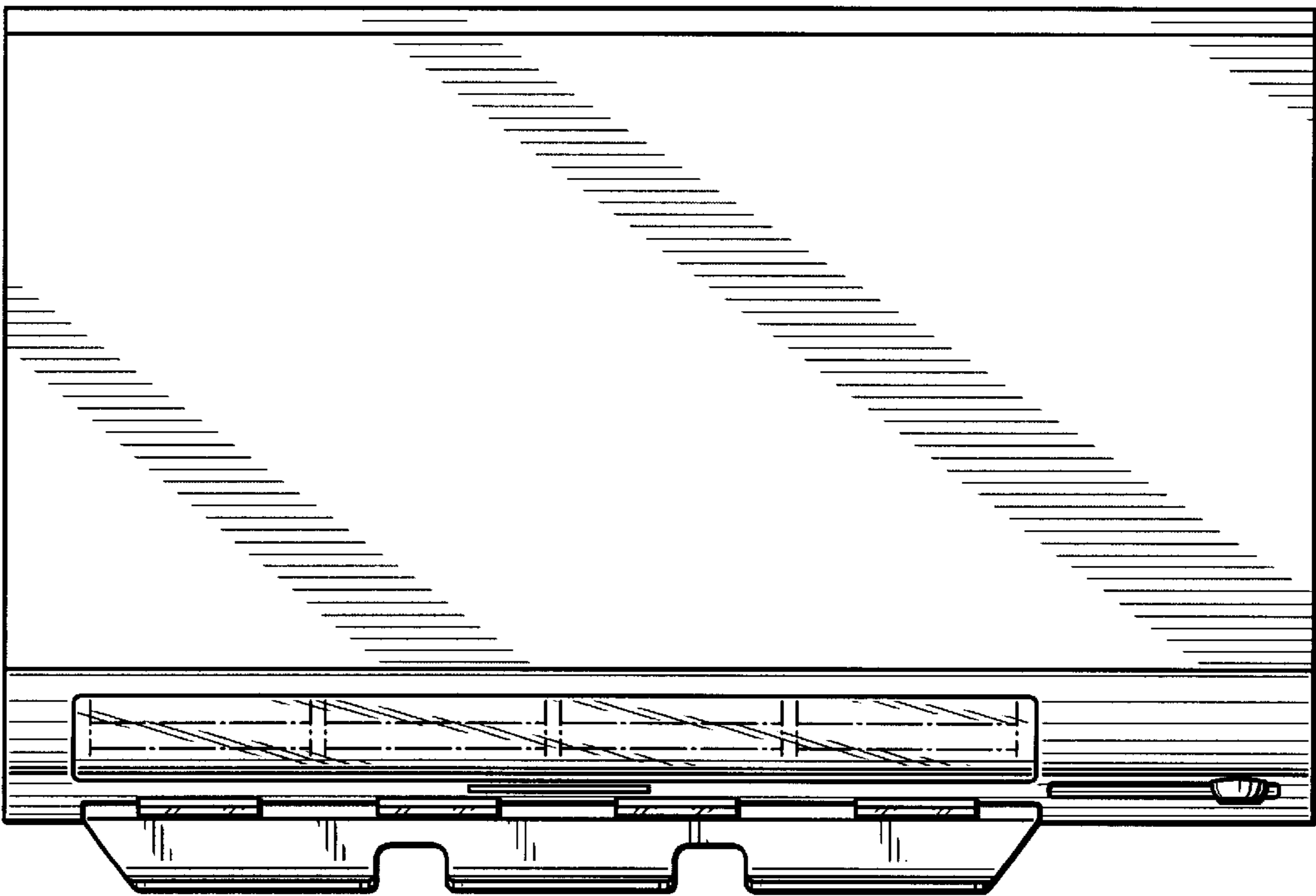


FIG. 12

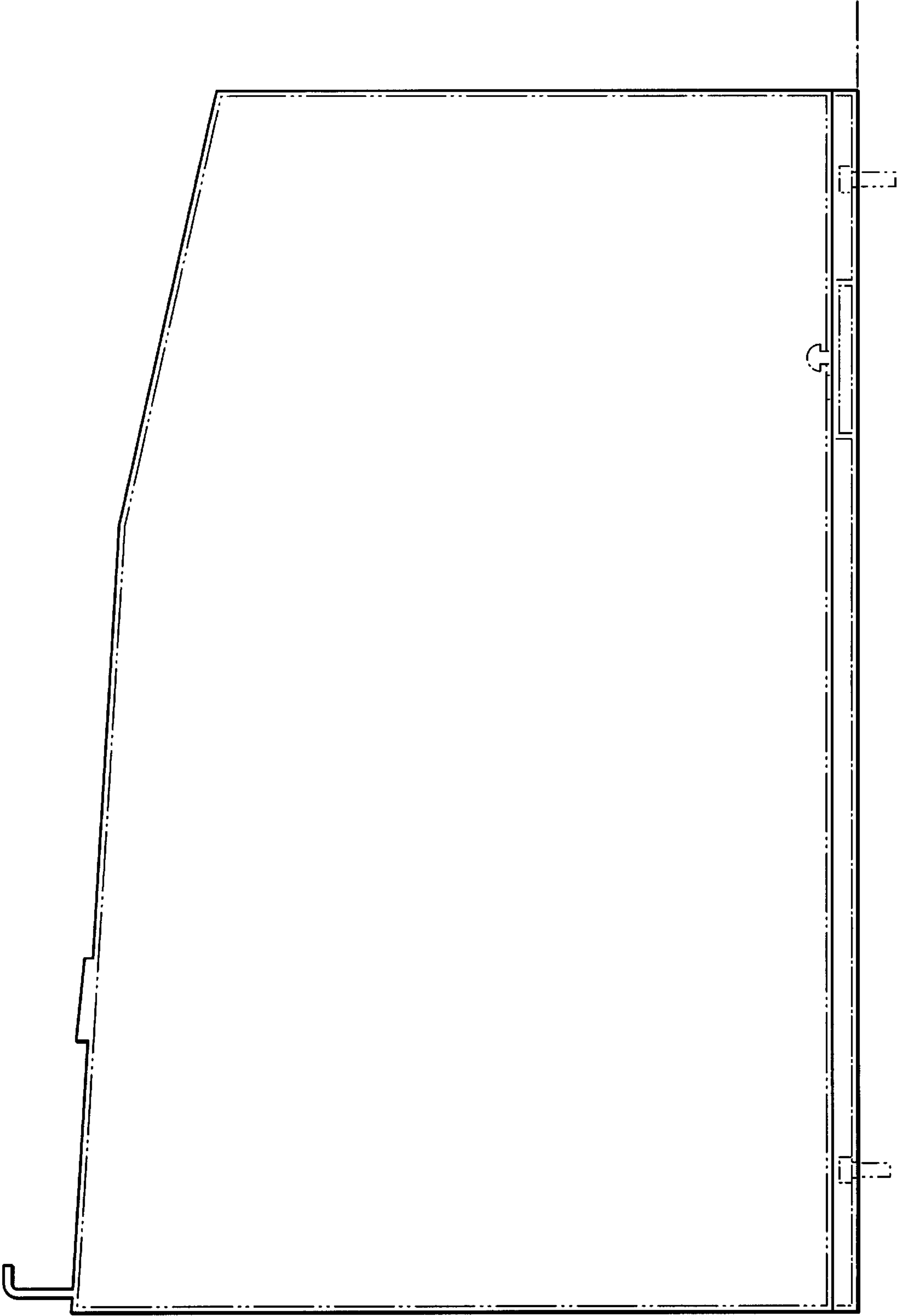


FIG. 13