

US00D503732S

(12) **United States Design Patent**
Hogrebe et al.

(10) **Patent No.:** **US D503,732 S**
(45) **Date of Patent:** **** Apr. 5, 2005**

(54) **VIDEO MAGNIFICATION SYSTEM**

(75) Inventors: **Mark C. Hogrebe**, Millstadt, IL (US);
Darryl W. Eschmann, Waterloo, IL (US);
Wayne T. Wickerham, Ballwin, MO (US)

(73) Assignee: **Dazor Manufacturing Corp.**, St. Louis, MO (US)

(**) Term: **14 Years**

(21) Appl. No.: **29/187,360**

(22) Filed: **Jul. 31, 2003**

(51) **LOC (7) Cl.** **16-02**

(52) **U.S. Cl.** **D16/225**

(58) **Field of Search** D14/126, 371;
D16/131, 135, 221, 225, 229, 232; D21/514;
248/281.11, 917; 348/63, 373; 353/39.119,
122; 396/419

(56) **References Cited**

U.S. PATENT DOCUMENTS

3,205,770	A	*	9/1965	Koch et al.	353/39
3,819,855	A		6/1974	Rush et al.		
D245,934	S	*	9/1977	Donaldson	D21/514
4,115,813	A		9/1978	Mikami		
4,227,209	A		10/1980	Warner		
4,731,650	A		3/1988	Hadfield et al.		
4,758,782	A		7/1988	Kobayashi		
4,836,486	A	*	6/1989	Vossoughi et al.	248/281.11
4,922,338	A		5/1990	Arpino		
5,189,463	A		2/1993	Capper et al.		
D359,059	S	*	6/1995	Omi	D16/131
5,437,104	A		8/1995	Chien		
5,666,577	A		9/1997	McIntyre et al.		
5,748,228	A		5/1998	Kobayashi et al.		
D430,588	S	*	9/2000	Goldberg et al.	D16/225
6,471,165	B2	*	10/2002	Twisselmann	248/281.11
6,695,270	B1	*	2/2004	Smed	248/917
6,791,600	B1	*	9/2004	Chan	348/63

OTHER PUBLICATIONS

Magni-Cam literature from internet at <http://www.magnicam.com/magnicam/literat.html> retrieved on Dec. 8, 1998, 18 pages.

O.C. White Co. publication entitled "Inspector; Super Scope 2000," no date.

Techni-Tool publication entitled "Microscopes/Stereoscopes Inspection," no date, pp. 294, 295.

Mantis publication entitled "Mantis Revolutionary Magnification System" no date, p. 40.

1998 Optics and Optical Instruments Catalog of Edmund Scientific Industrial Optics Division, pp. 1-3, 5, 140, 142-146, 150-159, 170-172.

Vision Technology, Inc. publication entitled "Vision Excel," 1998.

* cited by examiner

Primary Examiner—Adir Aronovich

(74) *Attorney, Agent, or Firm*—Senniger Powers

(57) **CLAIM**

The ornamental design for a video magnification system, as shown and described.

DESCRIPTION

FIG. 1 is a front elevational view of a video magnification system embodying the new design;

FIG. 2 is a rear elevational view thereof;

FIG. 3 is a top plan view thereof;

FIG. 4 is a bottom plan view thereof;

FIG. 5 is a right elevational view thereof;

FIG. 6 is a left elevational view thereof;

FIG. 7 is a perspective view of the video magnification system; the portions of the article in broken lines are shown for illustrative purposes only and form no part of the claimed design; and,

FIG. 8 is a right side elevational view in a folded position; the portions of the article in broken lines are shown for illustrative purposes only and form no part of the claimed design.

1 Claim, 8 Drawing Sheets

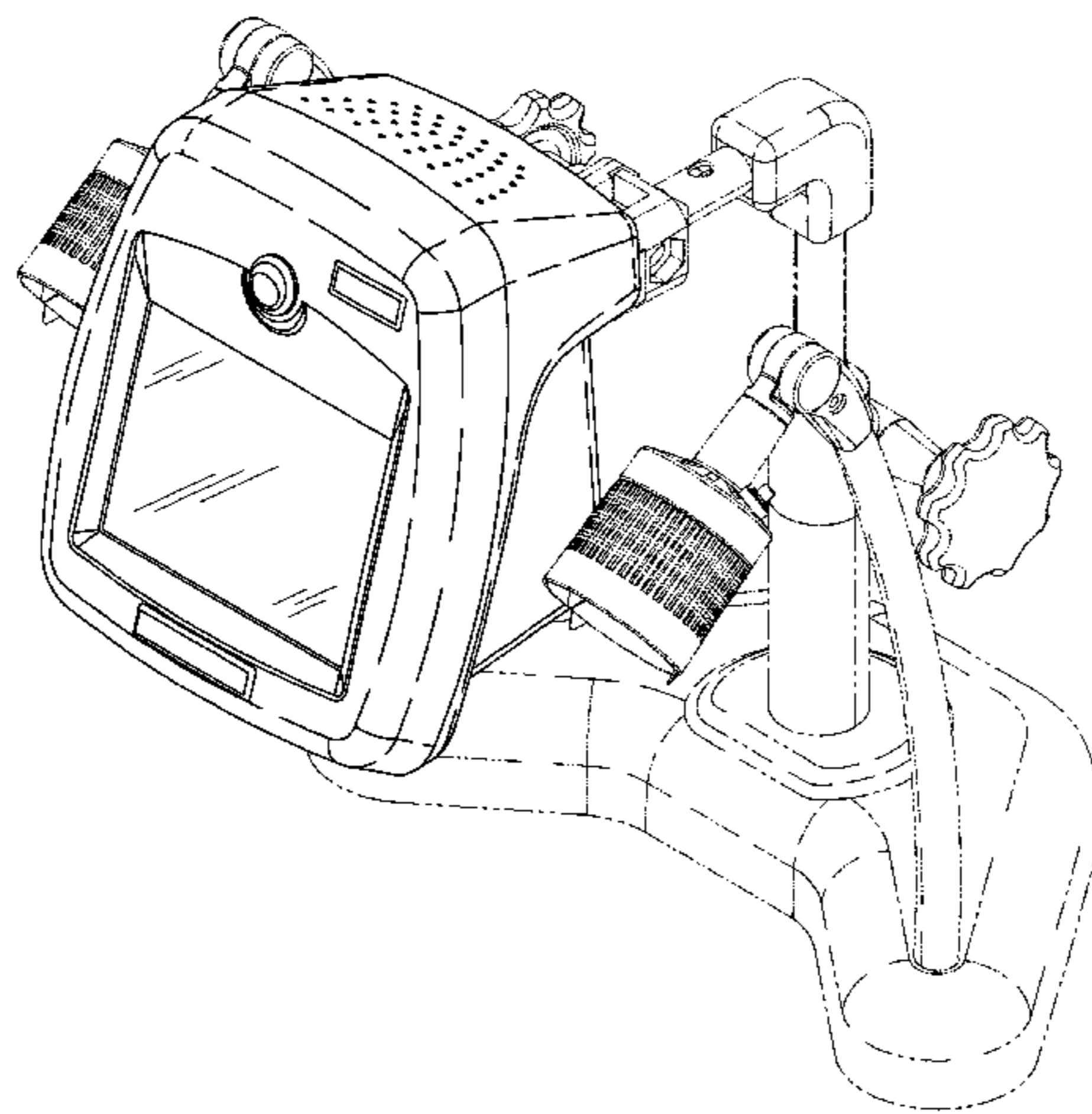


FIG. 1

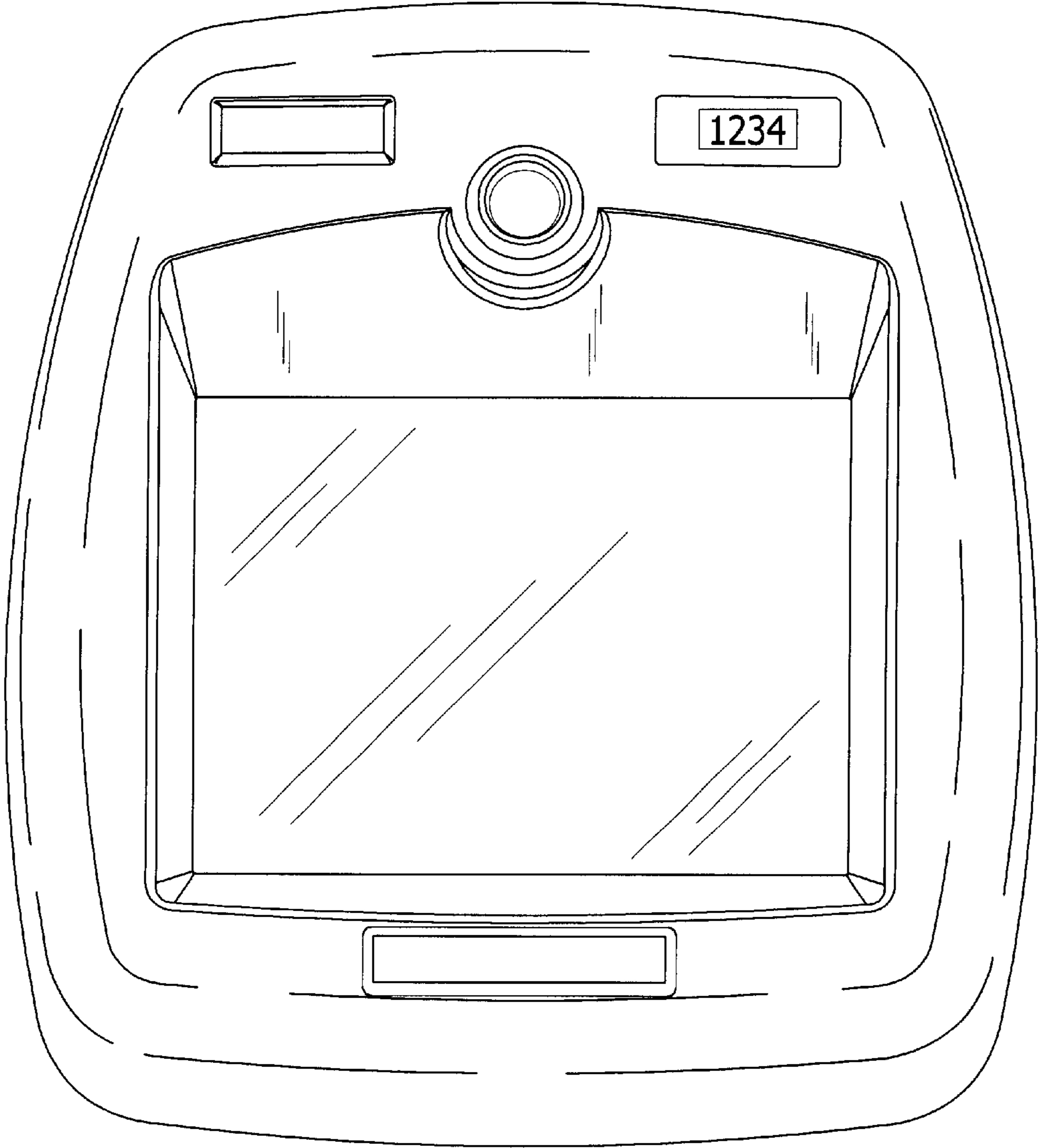


FIG. 2

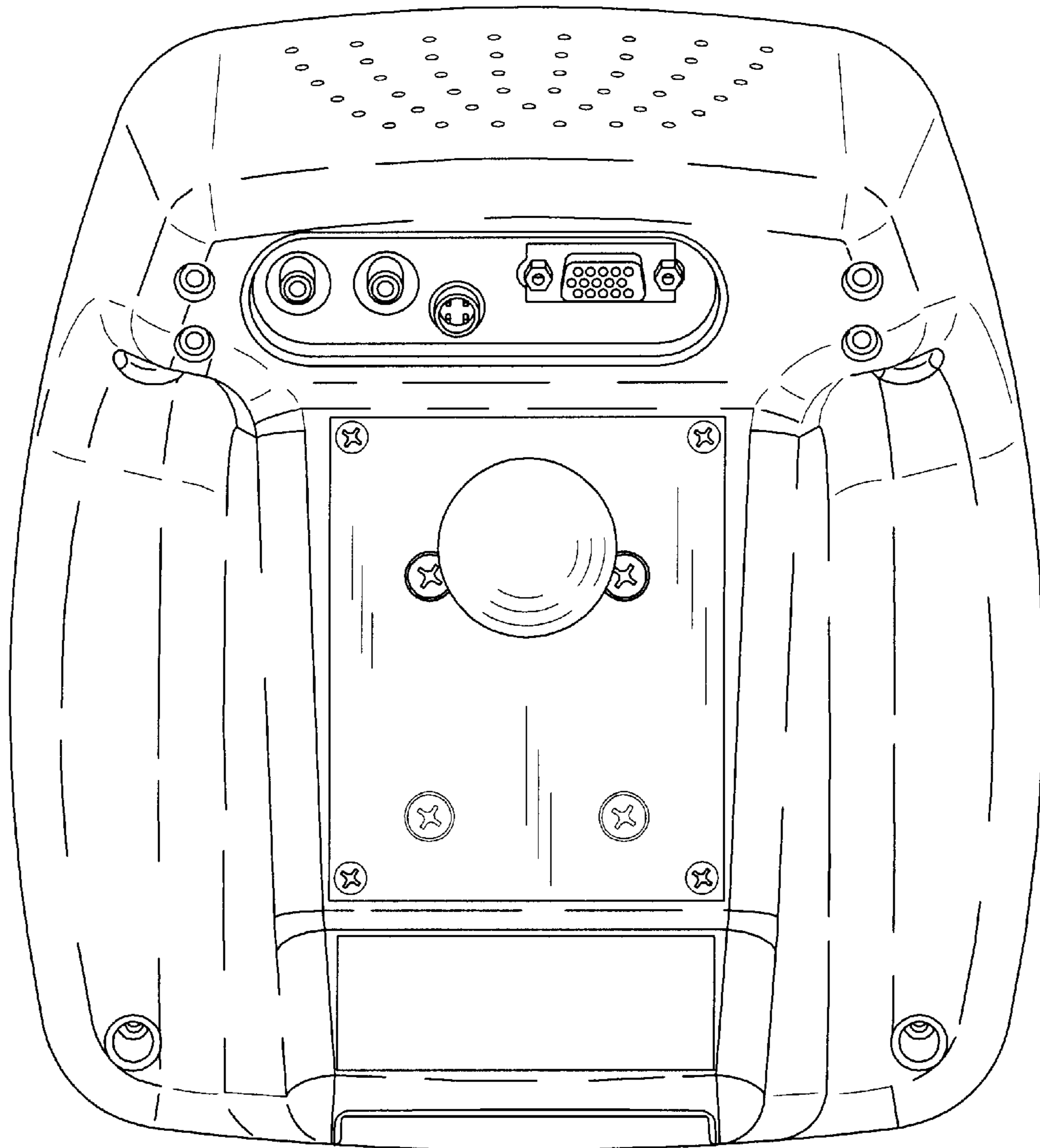


FIG. 3

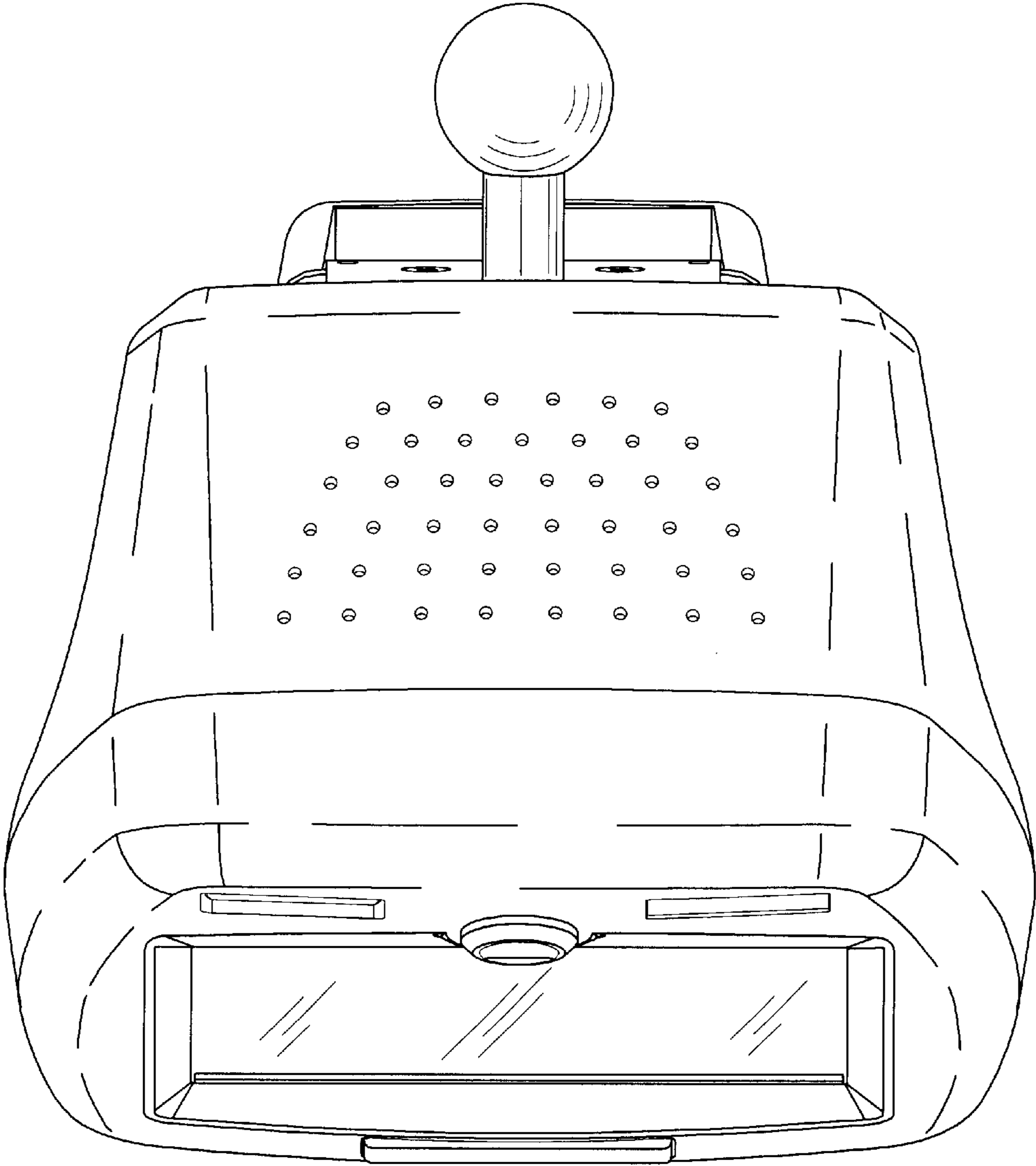


FIG. 4

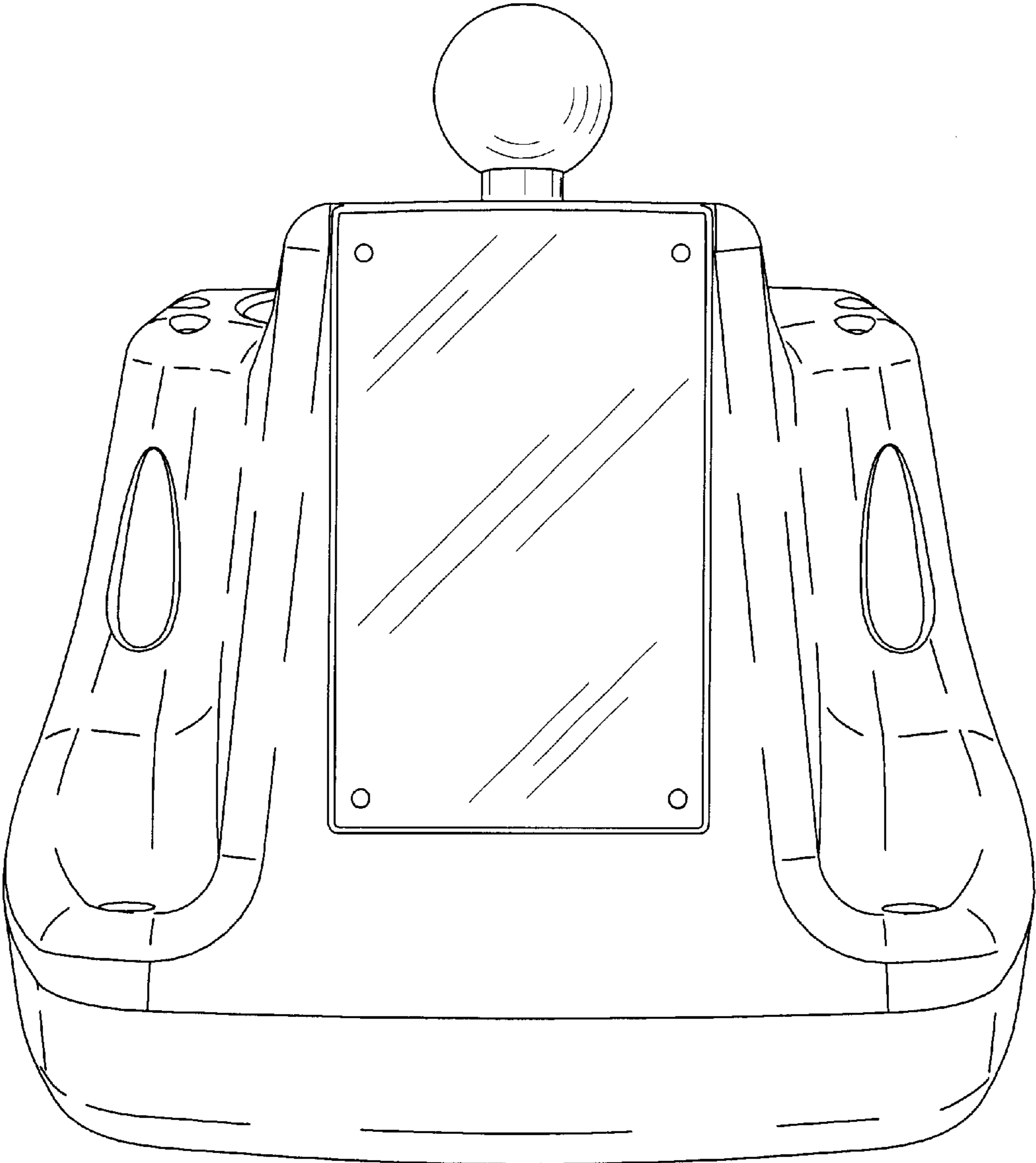


FIG. 5

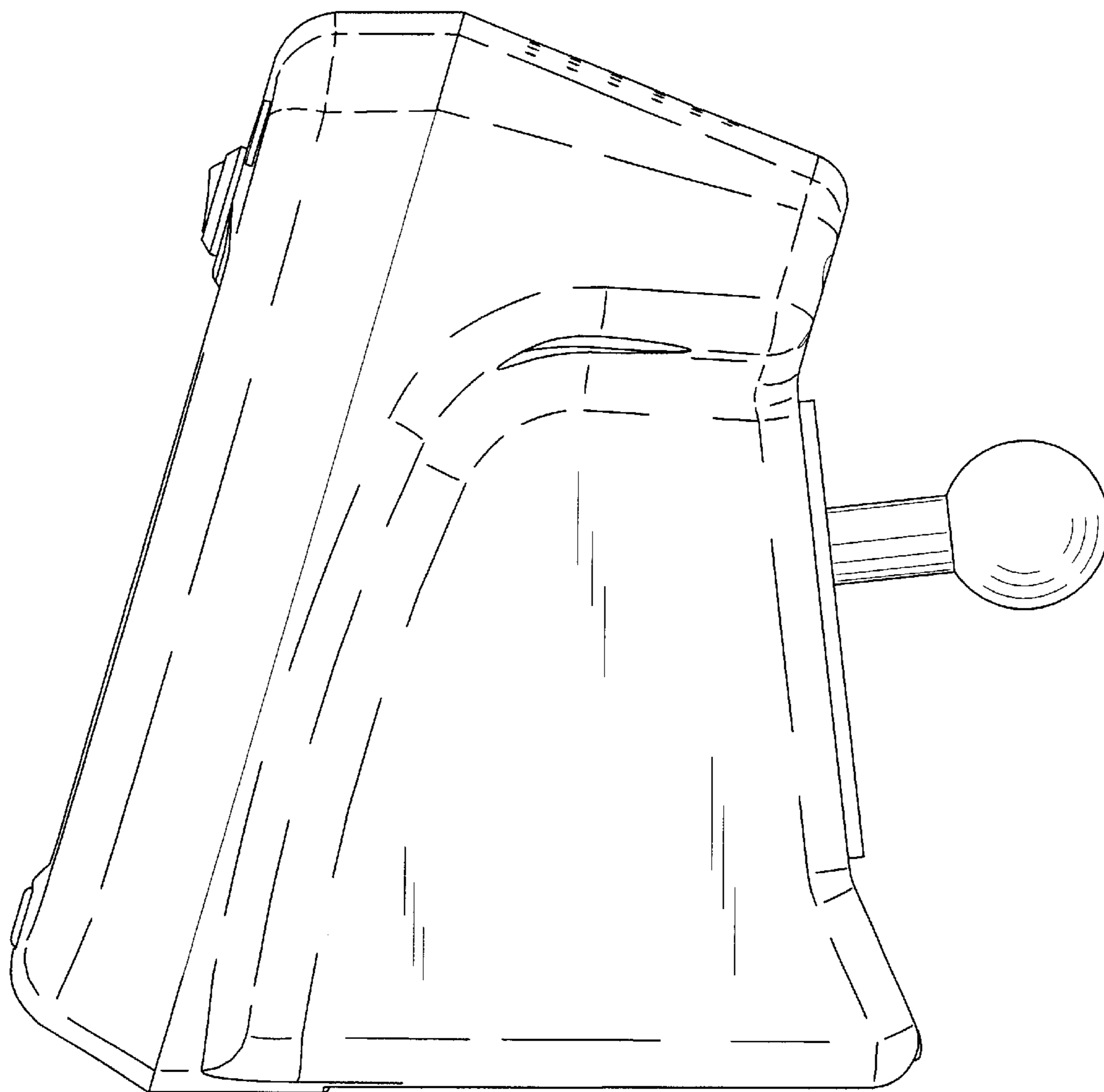
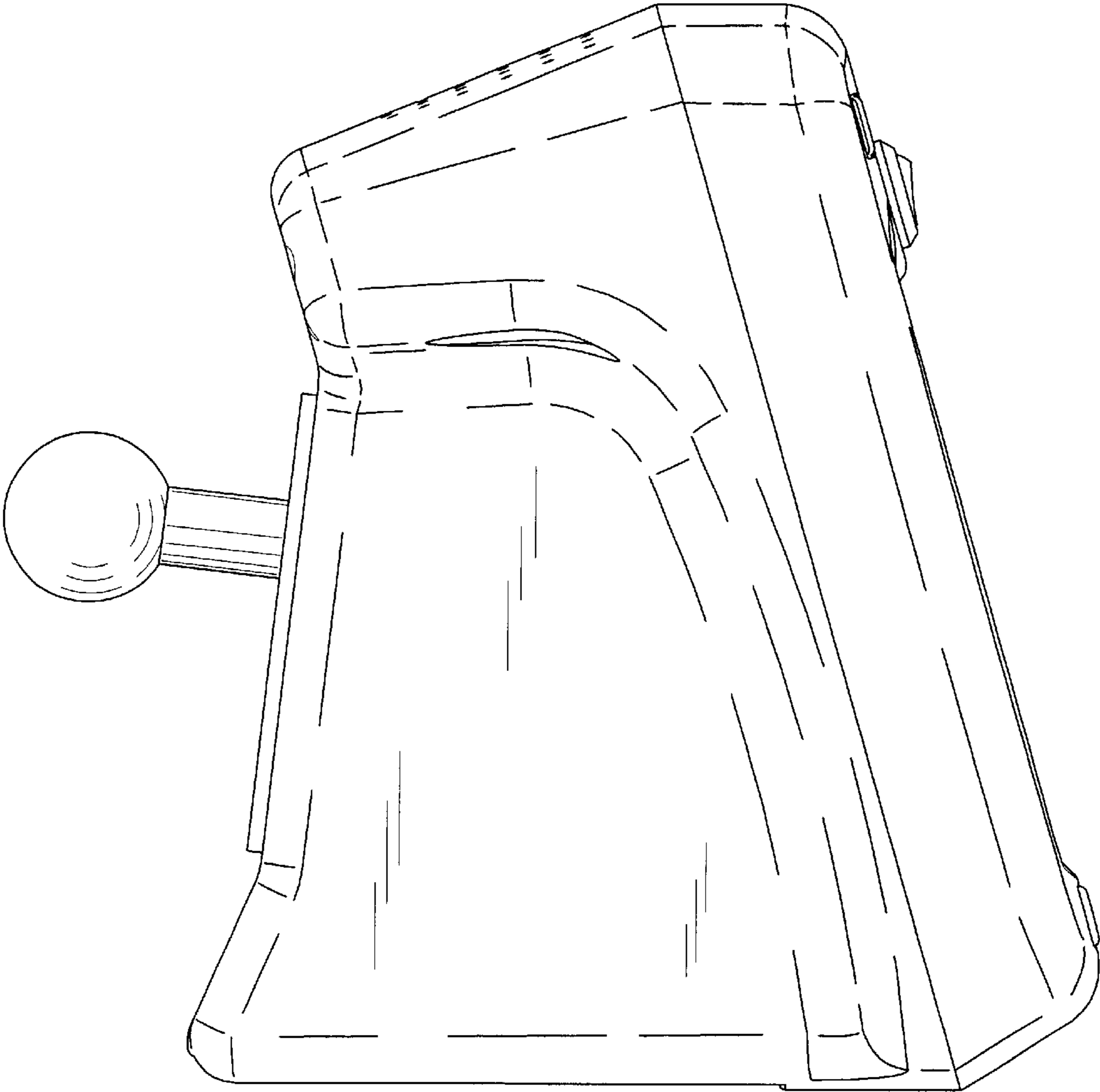


FIG. 6



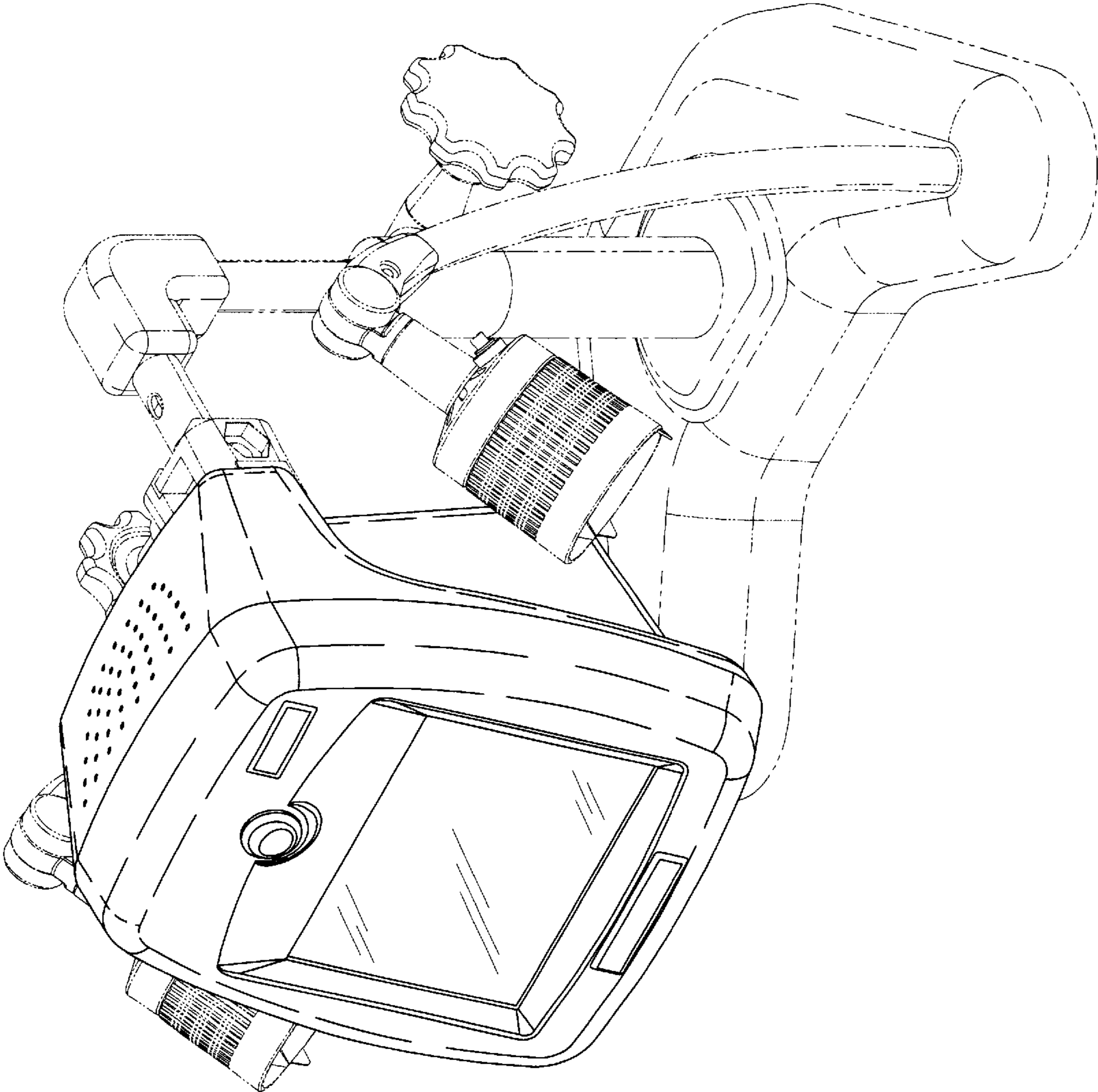


FIG. 7

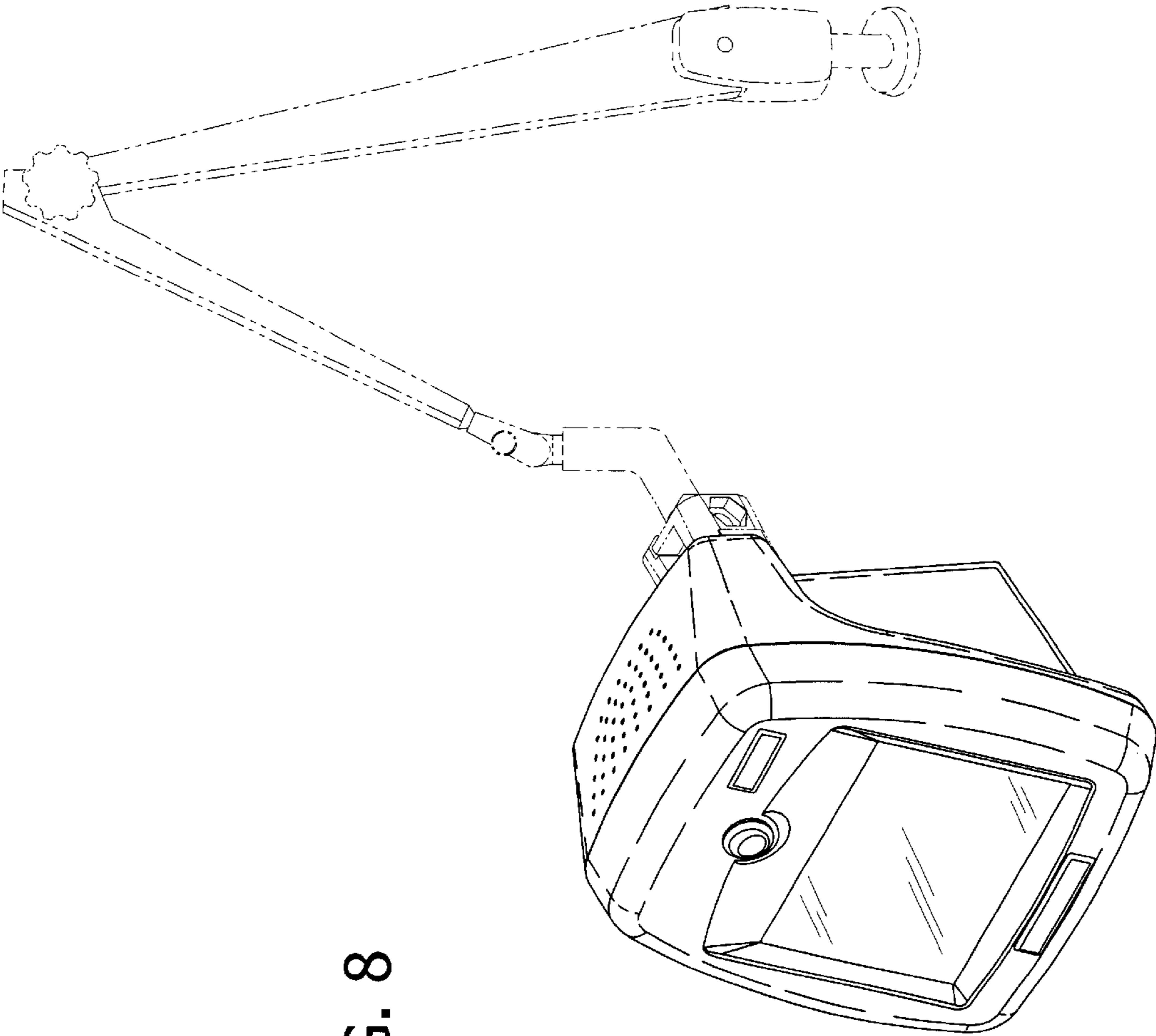


FIG. 8