

US00D503730S

(12) **United States Design Patent**
Hamamura

(10) **Patent No.:** **US D503,730 S**

(45) **Date of Patent:** **** Apr. 5, 2005**

(54) **BINOCULARS**

D486,507 S * 2/2004 Fujii D16/133
D492,711 S * 7/2004 Watanabe D16/133

(75) Inventor: **Toshihiro Hamamura**, Tokyo (JP)

* cited by examiner

(73) Assignee: **PENTAX Corporation**, Tokyo (JP)

Primary Examiner—Paula A. Greene

(**) Term: **14 Years**

(74) *Attorney, Agent, or Firm*—Sughrue Mion, PLLC

(21) Appl. No.: **29/200,683**

(57) **CLAIM**

(22) Filed: **Mar. 4, 2004**

The ornamental design for binoculars, as shown and described.

(30) **Foreign Application Priority Data**

DESCRIPTION

Sep. 5, 2003 (JP) 2003-025990

(51) **LOC (7) Cl.** **16-06**

(52) **U.S. Cl.** **D16/133**

(58) **Field of Search** D16/130, 132,
D16/133; 359/410, 411, 412, 413, 414,
415, 416, 417, 418, 419

FIG. 1 is a perspective view of the top, front and right side of binoculars showing my new design;

FIG. 2 is a perspective view of the top, rear and left side thereof;

FIG. 3 is a perspective view of the bottom, rear and left side thereof;

FIG. 4 is a front elevational view thereof;

FIG. 5 is a rear elevational view thereof;

FIG. 6 is a right side elevational view, the left side being a mirror image thereof;

FIG. 7 is a top plan view; and,

FIG. 8 is a bottom plan view thereof.

The broken lines are for illustrative purposes only and forms no part of the claimed design.

(56) **References Cited**

U.S. PATENT DOCUMENTS

- D223,298 S * 4/1972 Senda et al. D16/133
- D238,304 S * 12/1975 Henegst et al. D16/133
- D299,724 S * 2/1989 Aoki D16/133
- D359,972 S * 7/1995 Takahashi D16/133
- D392,986 S * 3/1998 Katou D16/133
- D412,177 S * 7/1999 Fujii D16/133
- D472,257 S * 3/2003 Fujii D16/133

1 Claim, 6 Drawing Sheets

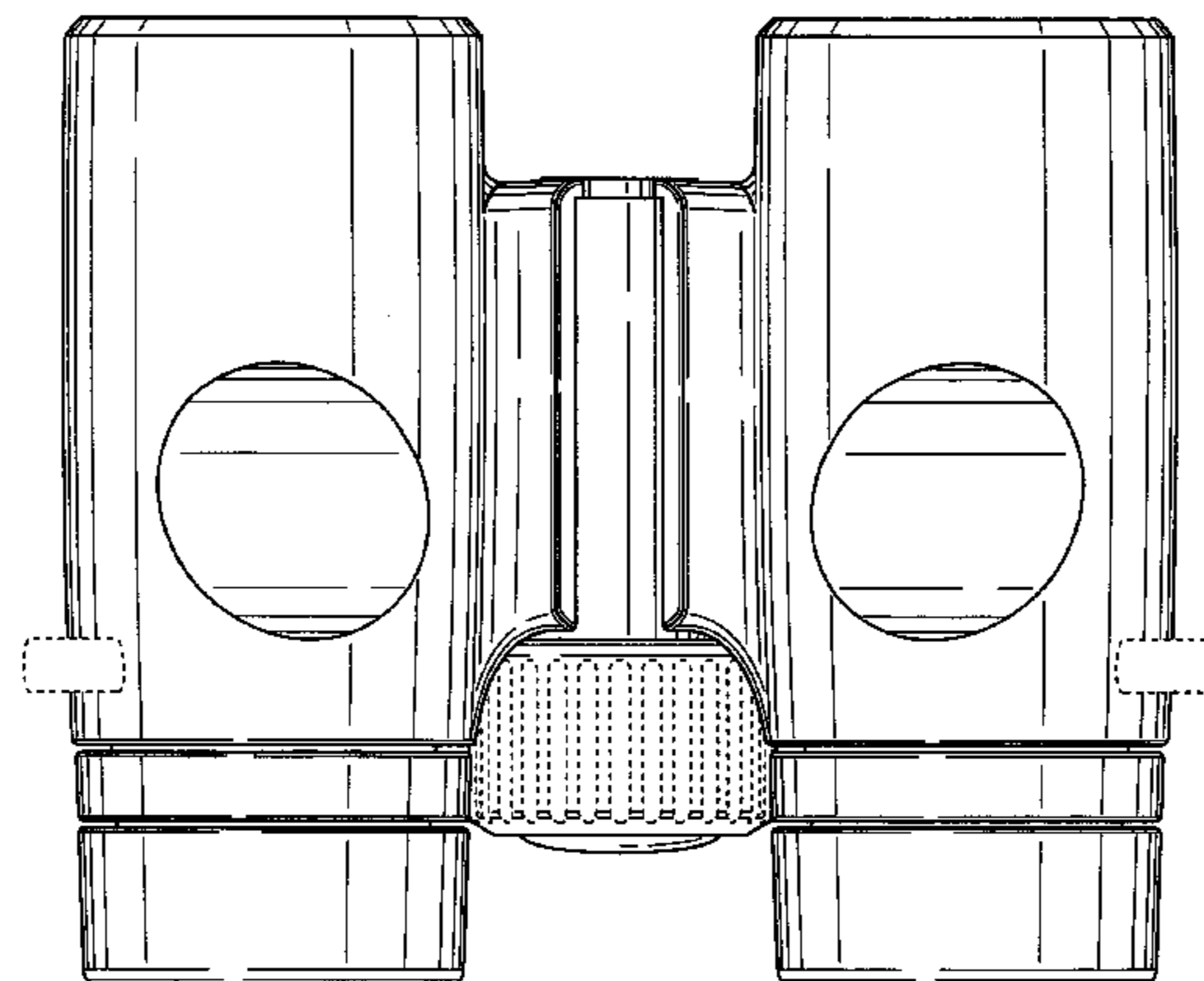
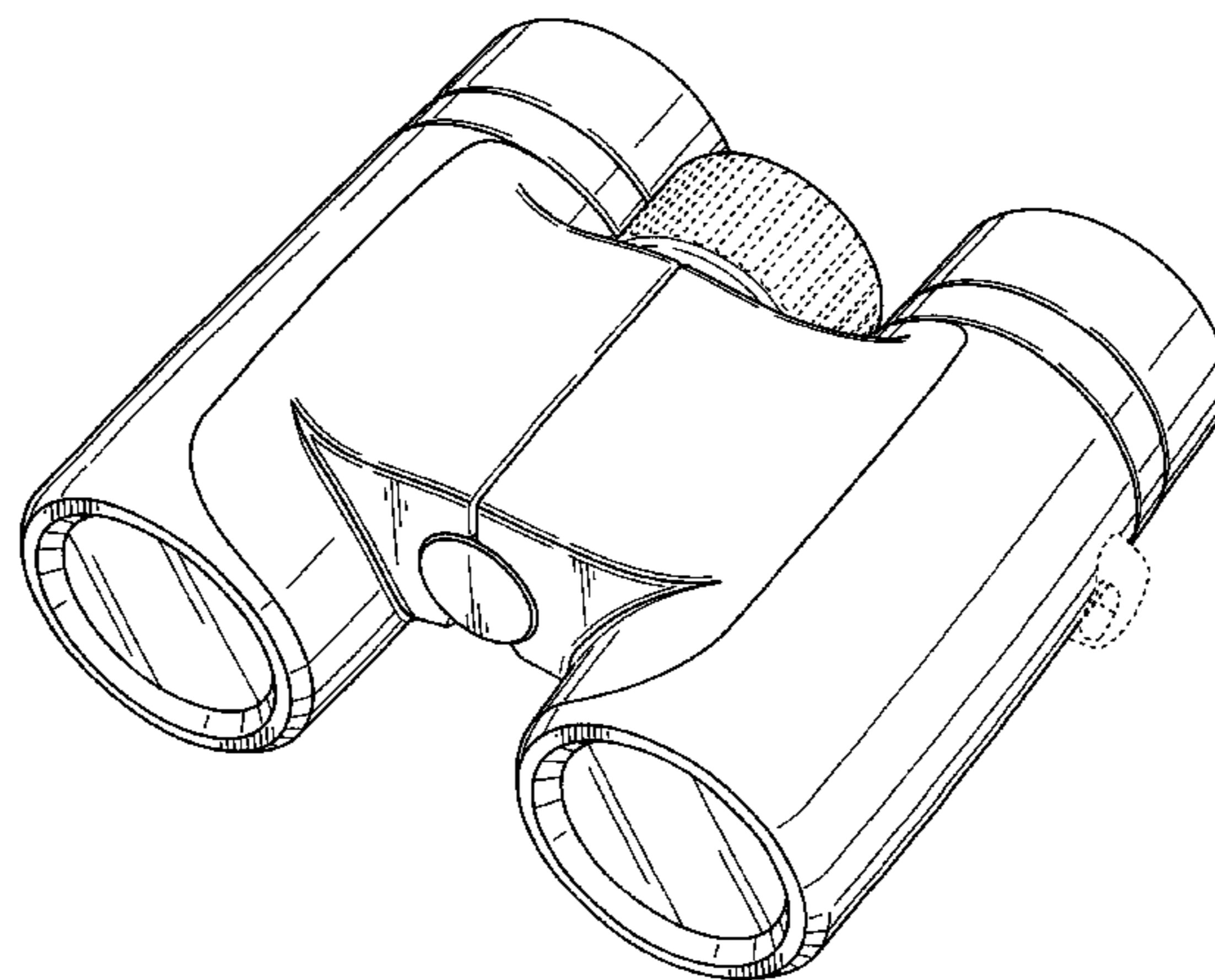


FIG. 1

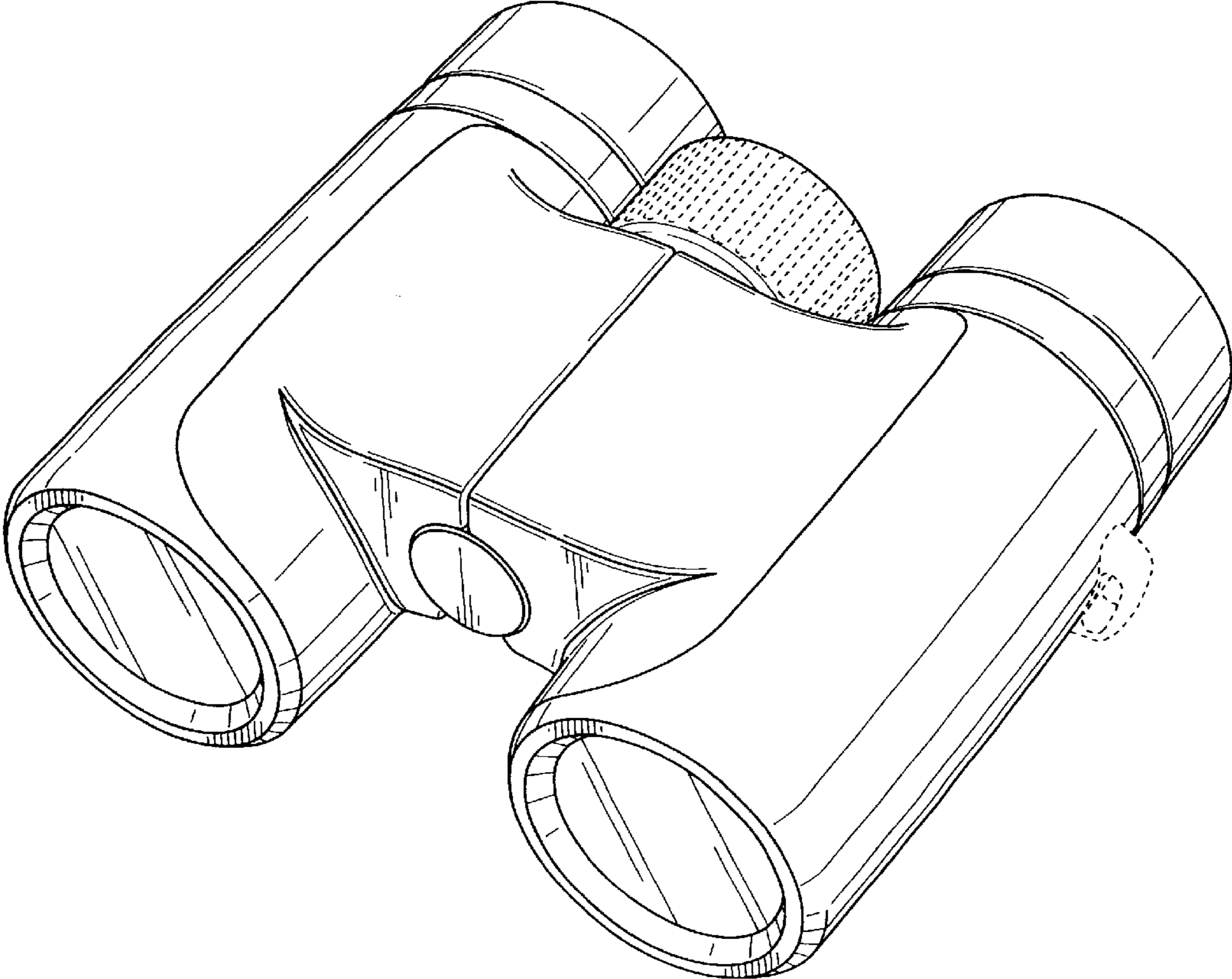


FIG. 2

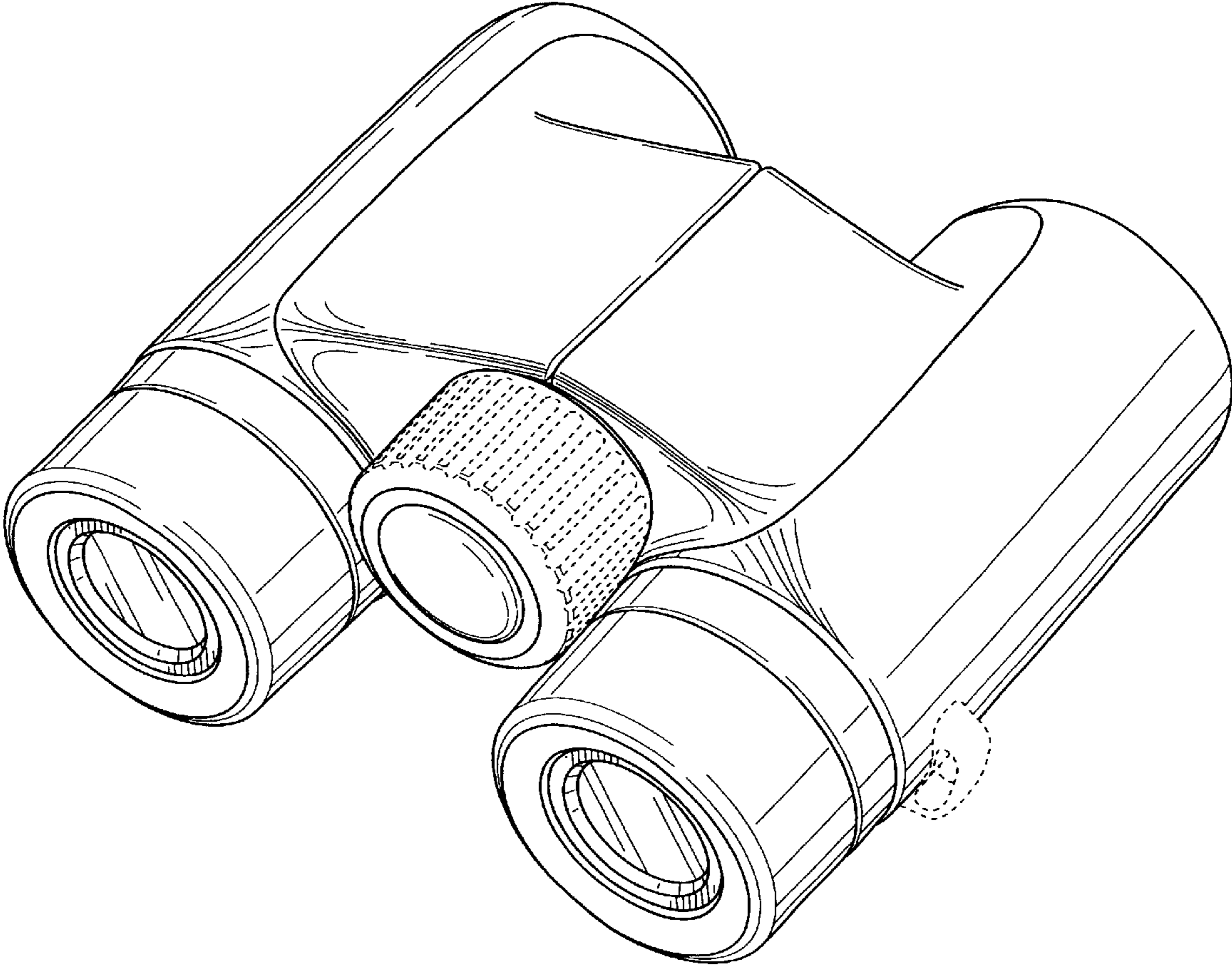


FIG. 3

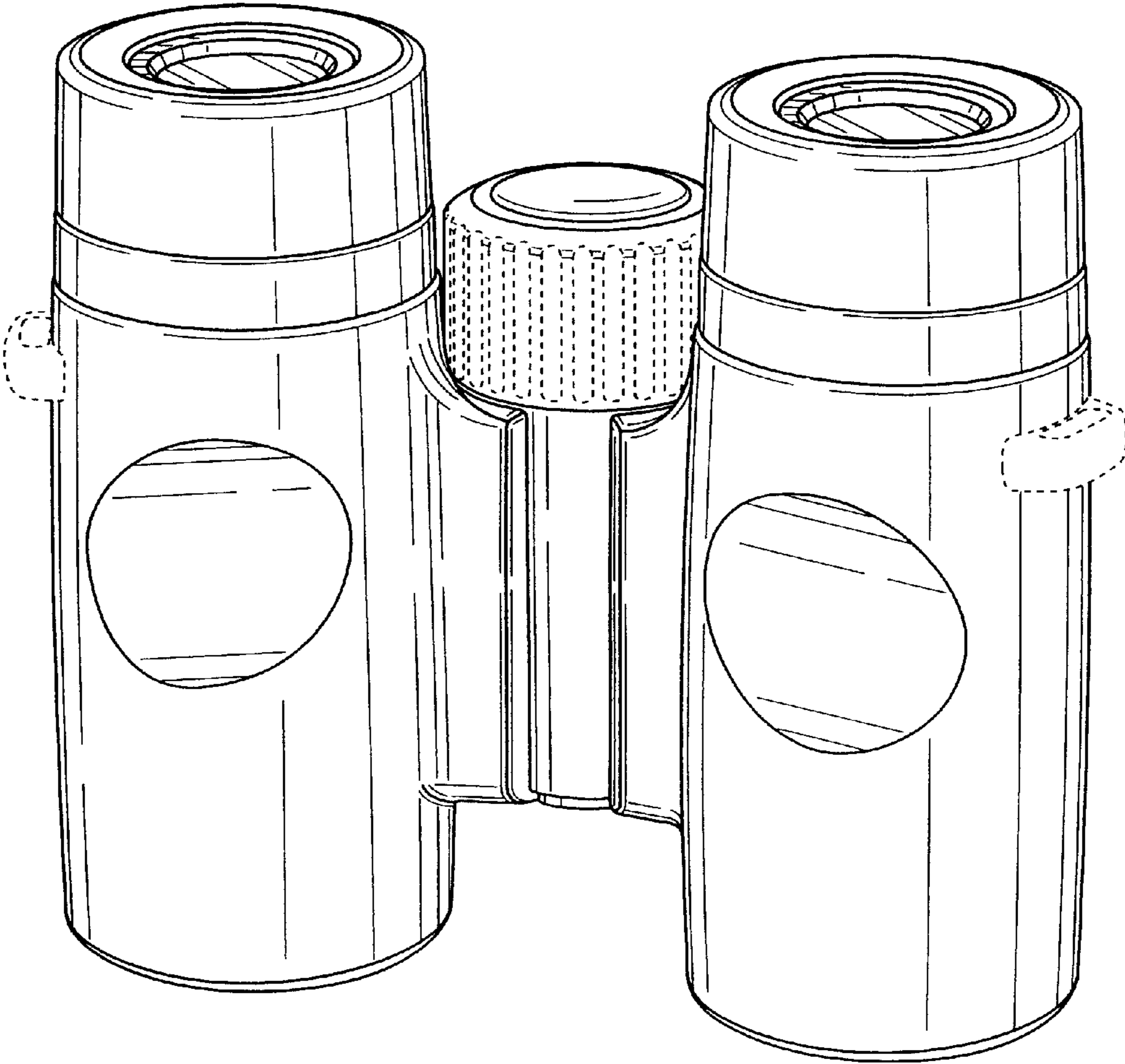


FIG. 4

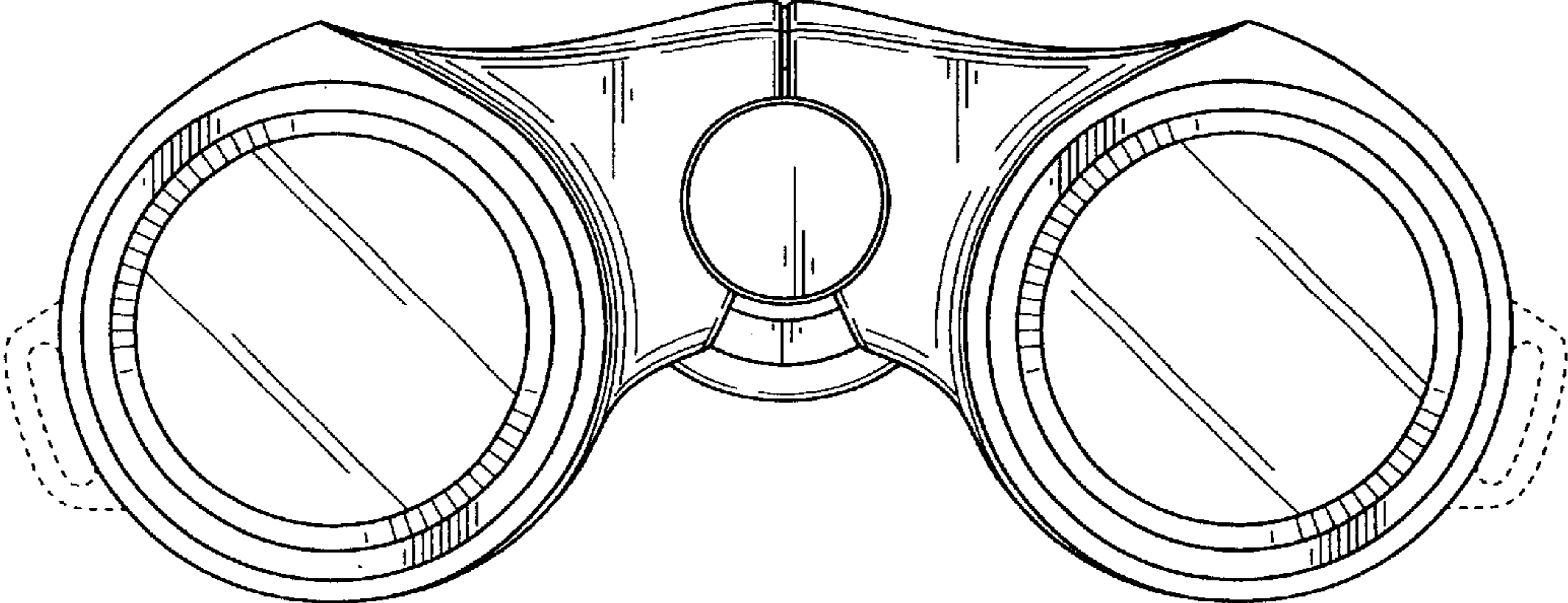


FIG. 5

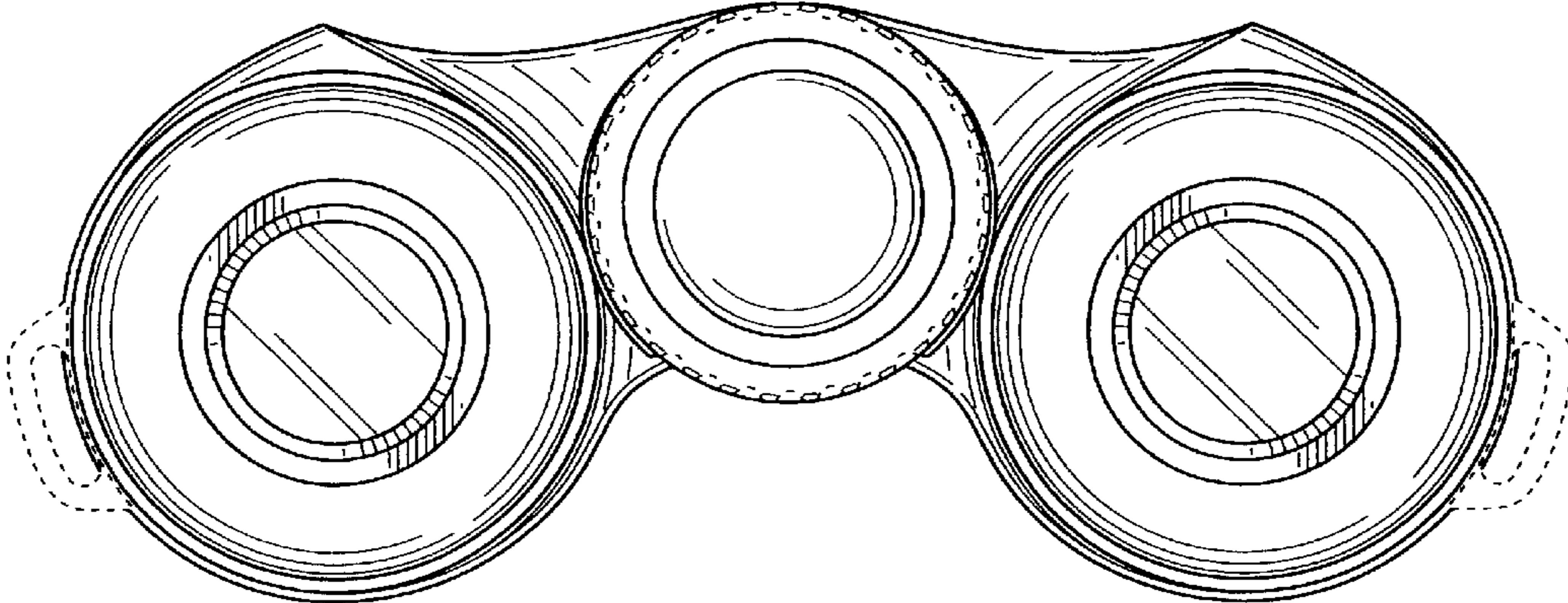


FIG. 6

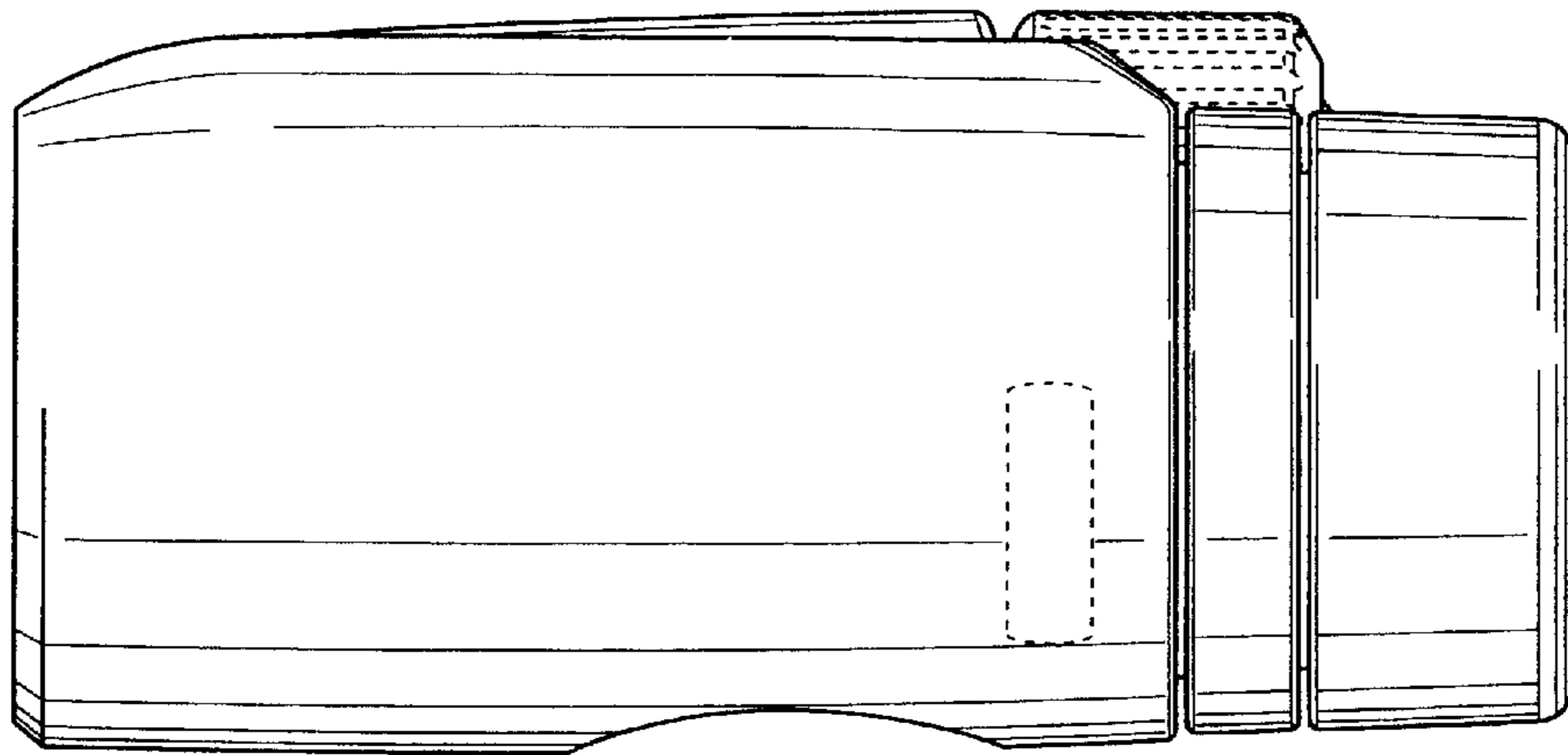


FIG. 7

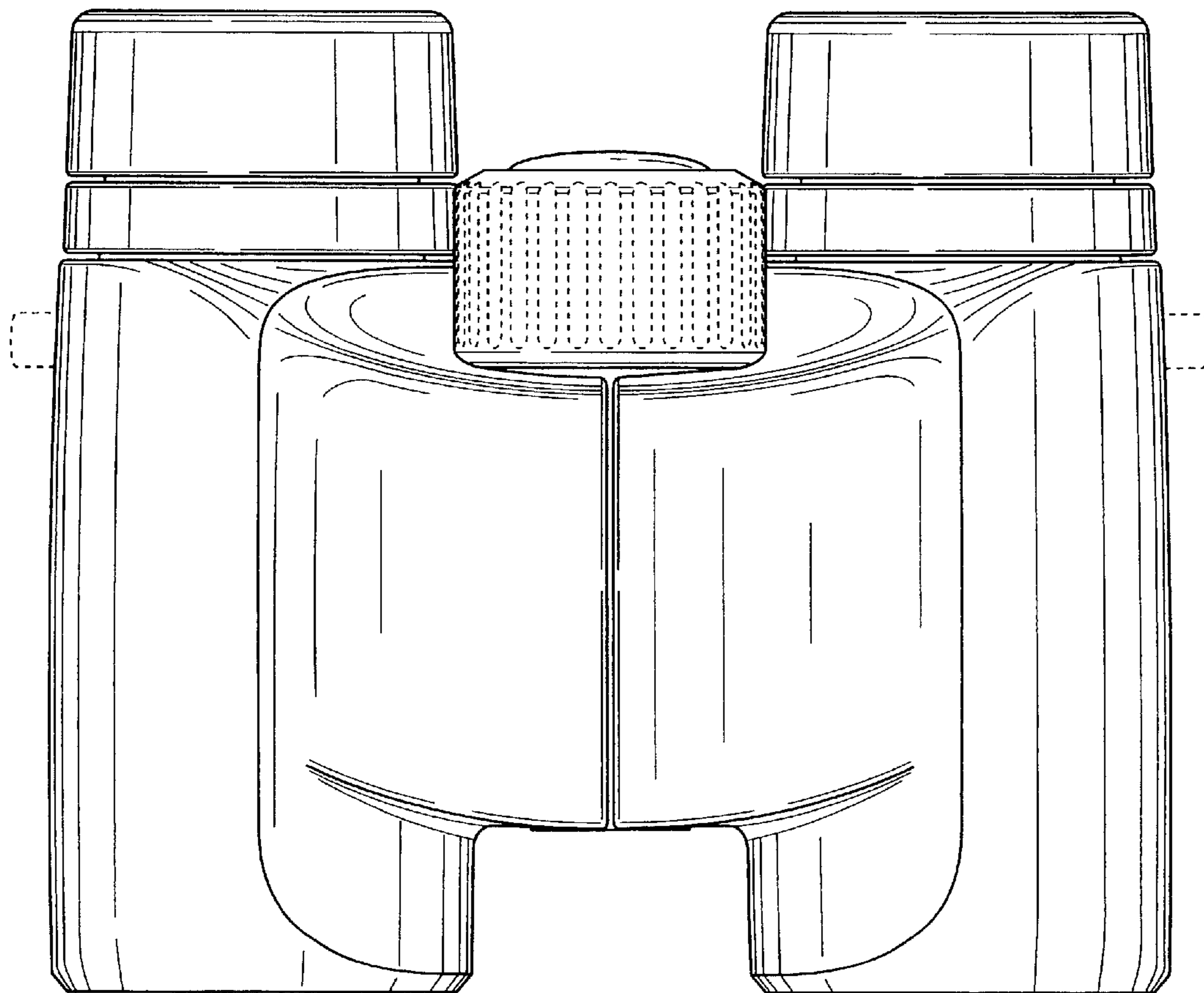


FIG. 8

