

US00D503729S

(12) **United States Design Patent** (10) **Patent No.:** **US D503,729 S**
de Leeuw et al. (45) **Date of Patent:** **** Apr. 5, 2005**

(54) **NOZZLE FOR DISPENSING ADHESIVES AND SEALANTS**

6,270,019 B1 * 8/2001 Reighard 239/1

(75) Inventors: **Victor de Leeuw**, Hilvarenbeek (NL);
Gregory J. Gabryszewski, Snellville, GA (US)

(73) Assignee: **Nordson Corporation**, Westlake, OH (US)

(**) Term: **14 Years**

(21) Appl. No.: **29/193,027**

(22) Filed: **Oct. 31, 2003**

(51) **LOC (7) Cl.** **15-09**

(52) **U.S. Cl.** **D15/144.2**

(58) **Field of Search** D15/144-144.2;
239/1, 11, 71, 536, 290, 423; 425/7, 208.2

(56) **References Cited**

U.S. PATENT DOCUMENTS

D418,848 S	1/2000	Raterman
D420,024 S	2/2000	Raterman
D423,529 S	4/2000	Raterman
D434,053 S	11/2000	Fort
D434,784 S	12/2000	Raterman

OTHER PUBLICATIONS

HME-500 gun. Hot-melt dot and line application gun (2 pg. brochure); Published at least as of Oct. 10, 2002; HHS Leimauftrags-Systeme GmbH; Germany.

Photo of the HME-500 Gun.

Drawing of a module of the HME-500 Gun.

* cited by examiner

Primary Examiner—Antoine D. Davis

(74) *Attorney, Agent, or Firm*—Raymond J. Slattery, III

(57) **CLAIM**

We claim the ornamental design for a nozzle for dispensing adhesives and sealants, as shown and described.

DESCRIPTION

FIG. 1 is a perspective view of the new design for a nozzle for dispensing adhesives and sealants;

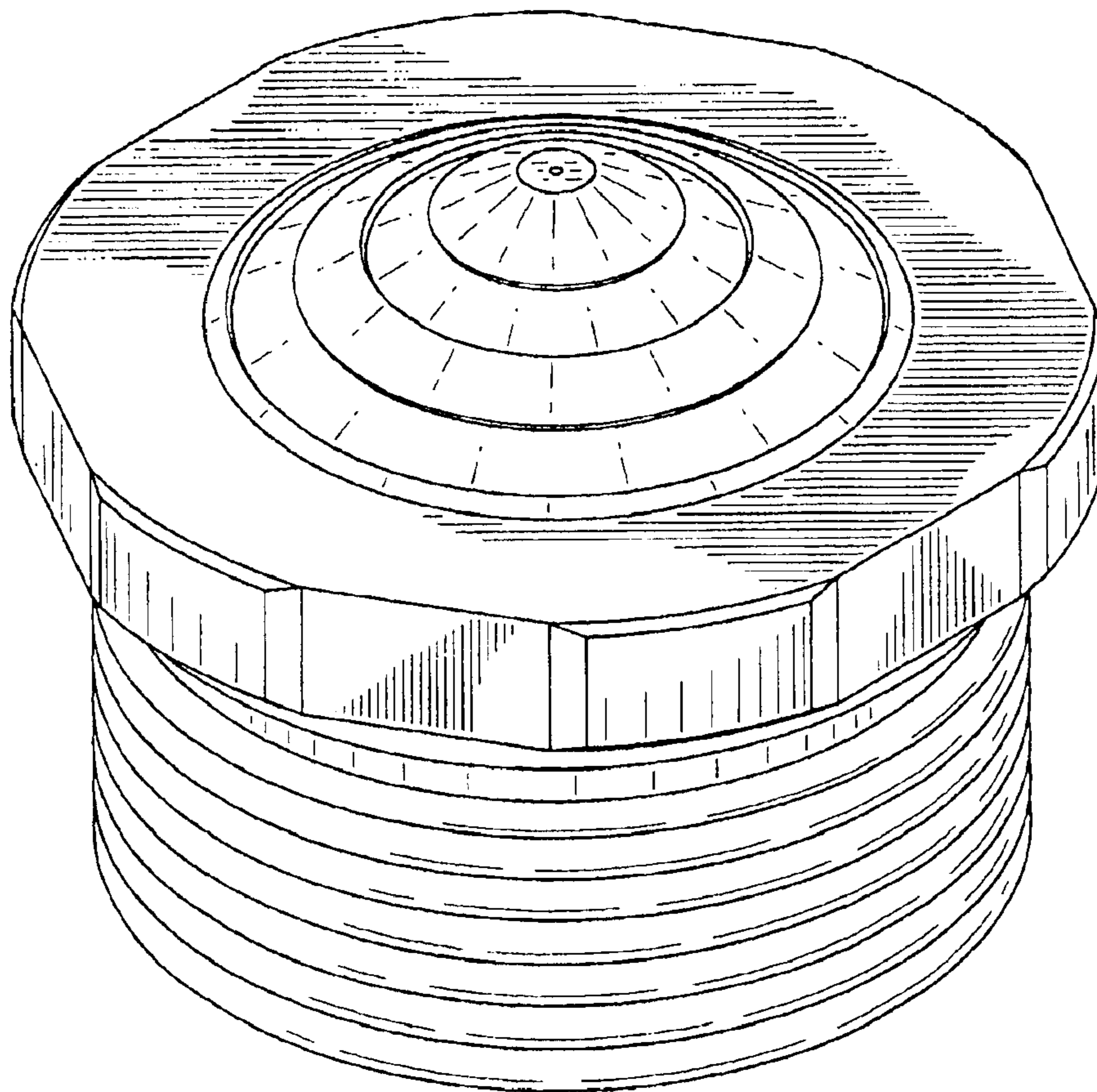
FIG. 2 is a top plan view of the nozzle;

FIG. 3 is a front view of the nozzle as oriented in FIG. 2;

FIG. 4 is a side elevational view of the nozzle as oriented in FIG. 2; and,

FIG. 5 is a bottom view of the nozzle as oriented in FIG. 4.

1 Claim, 3 Drawing Sheets



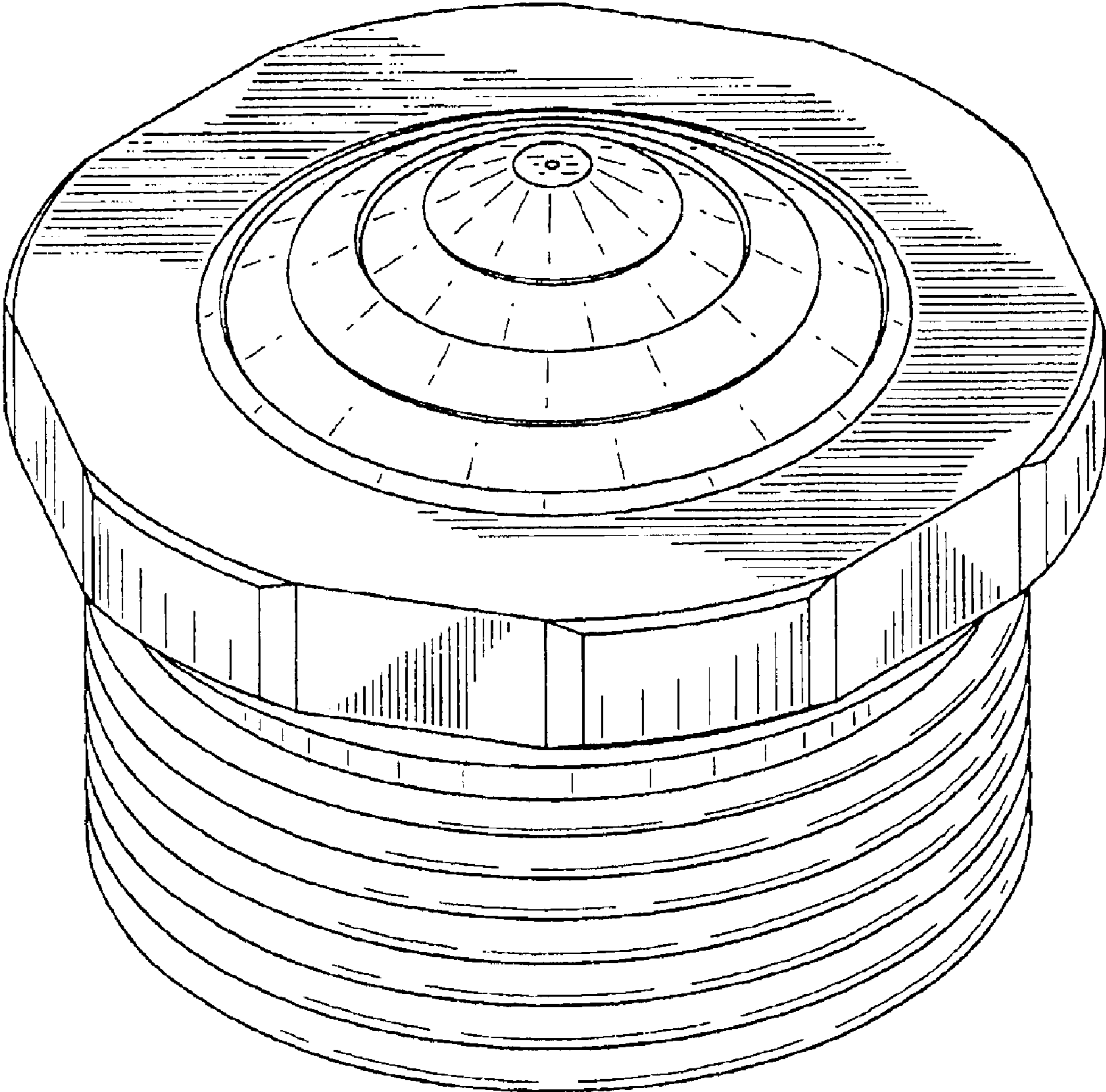


FIG-1

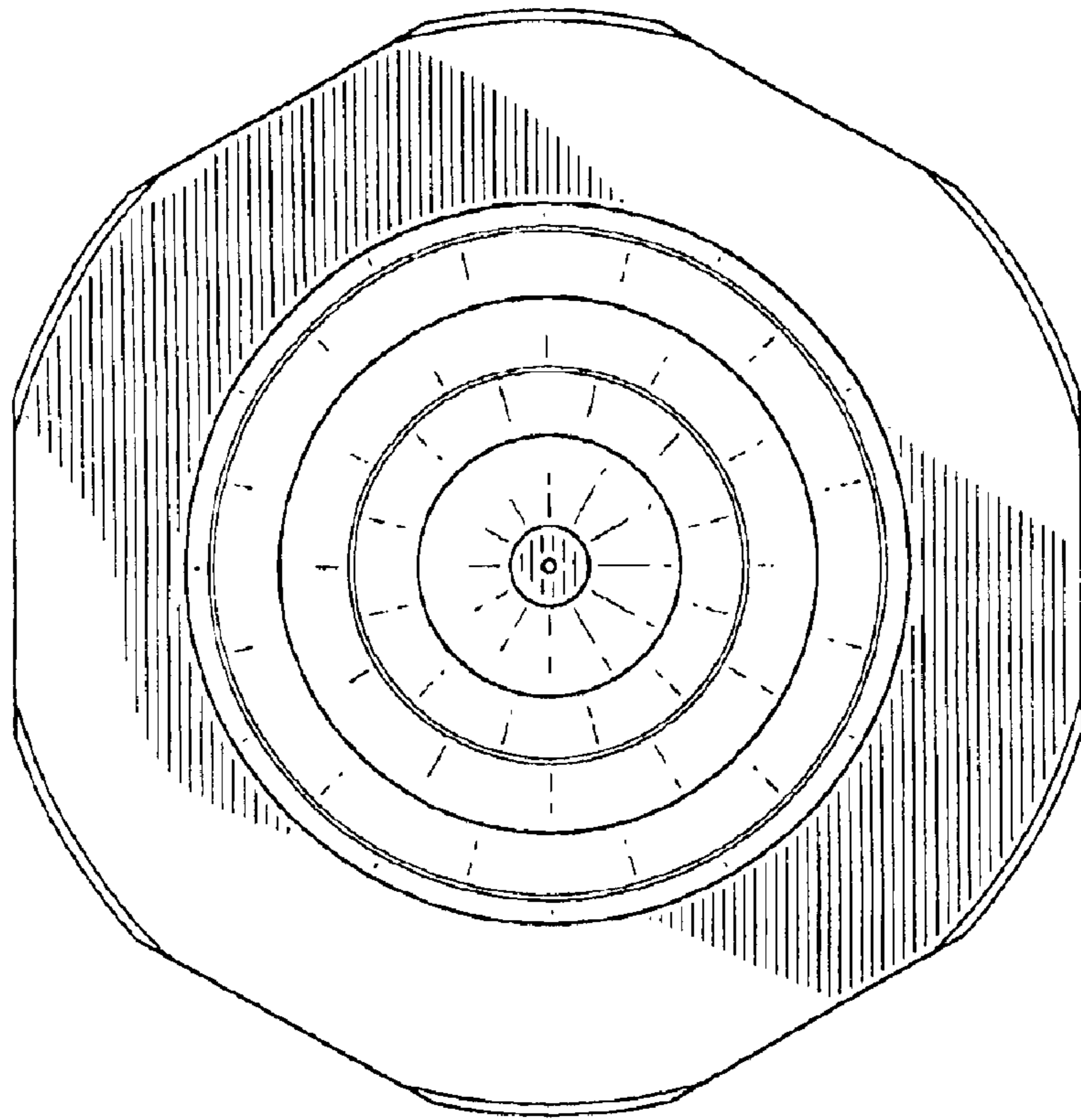


FIG-2

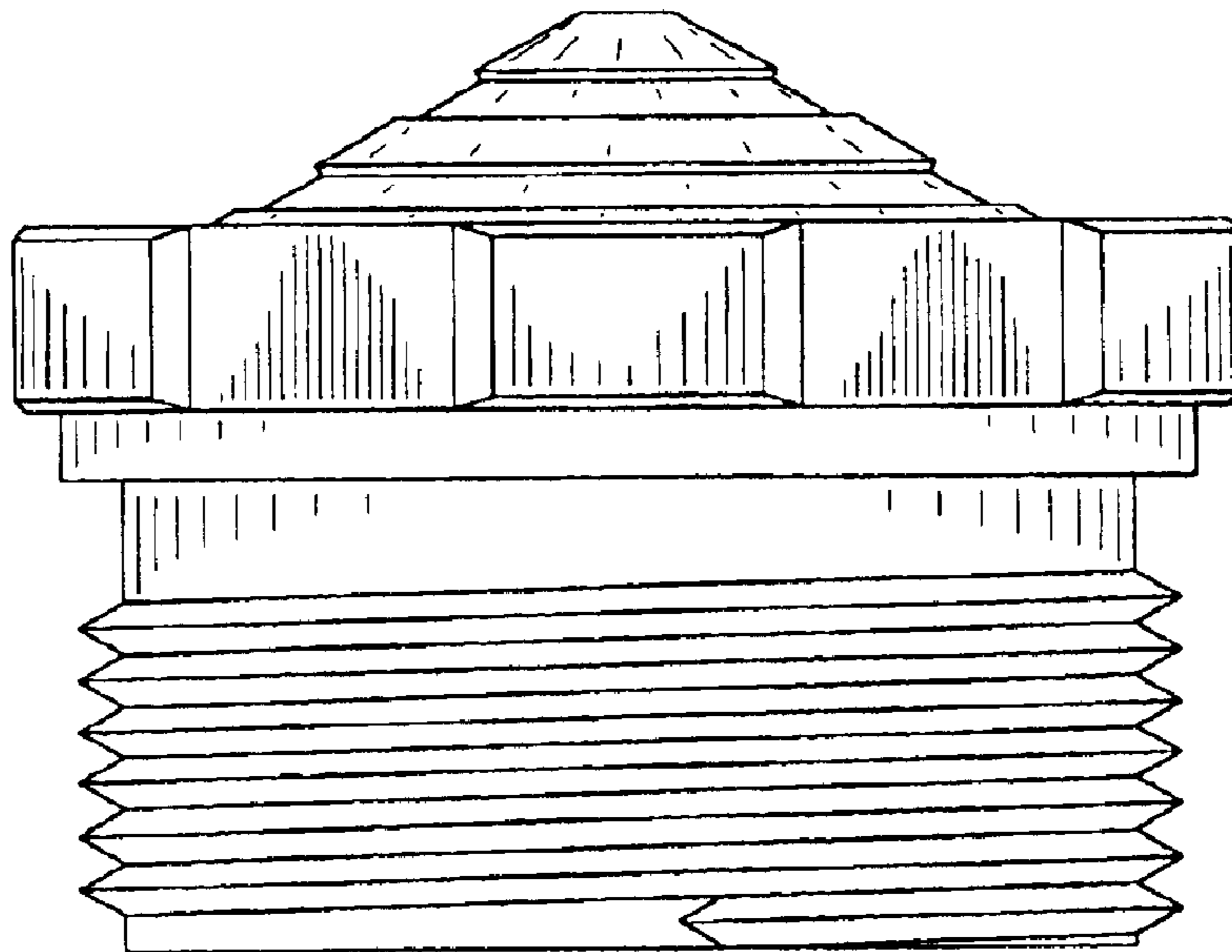


FIG-3

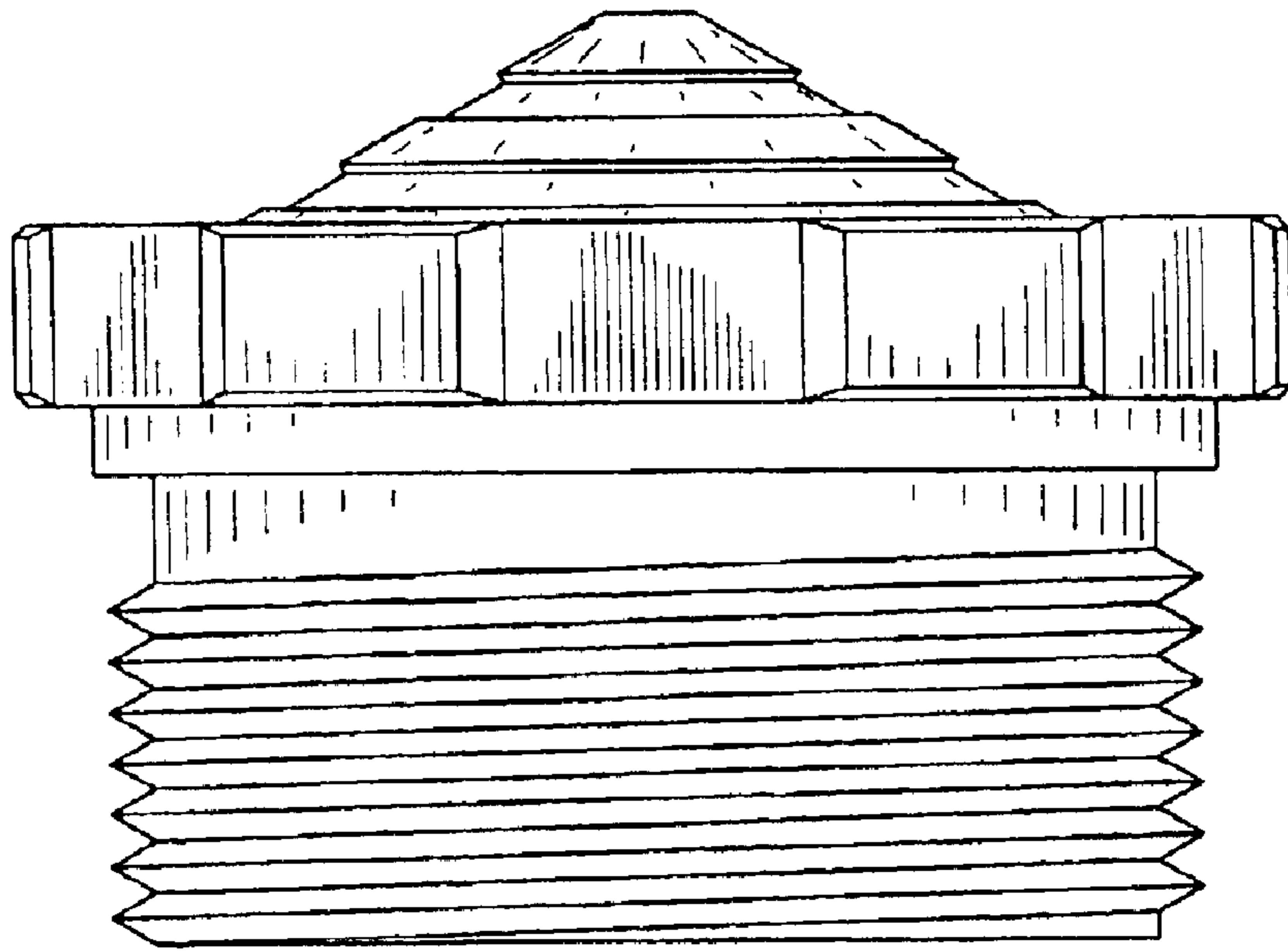


FIG-4

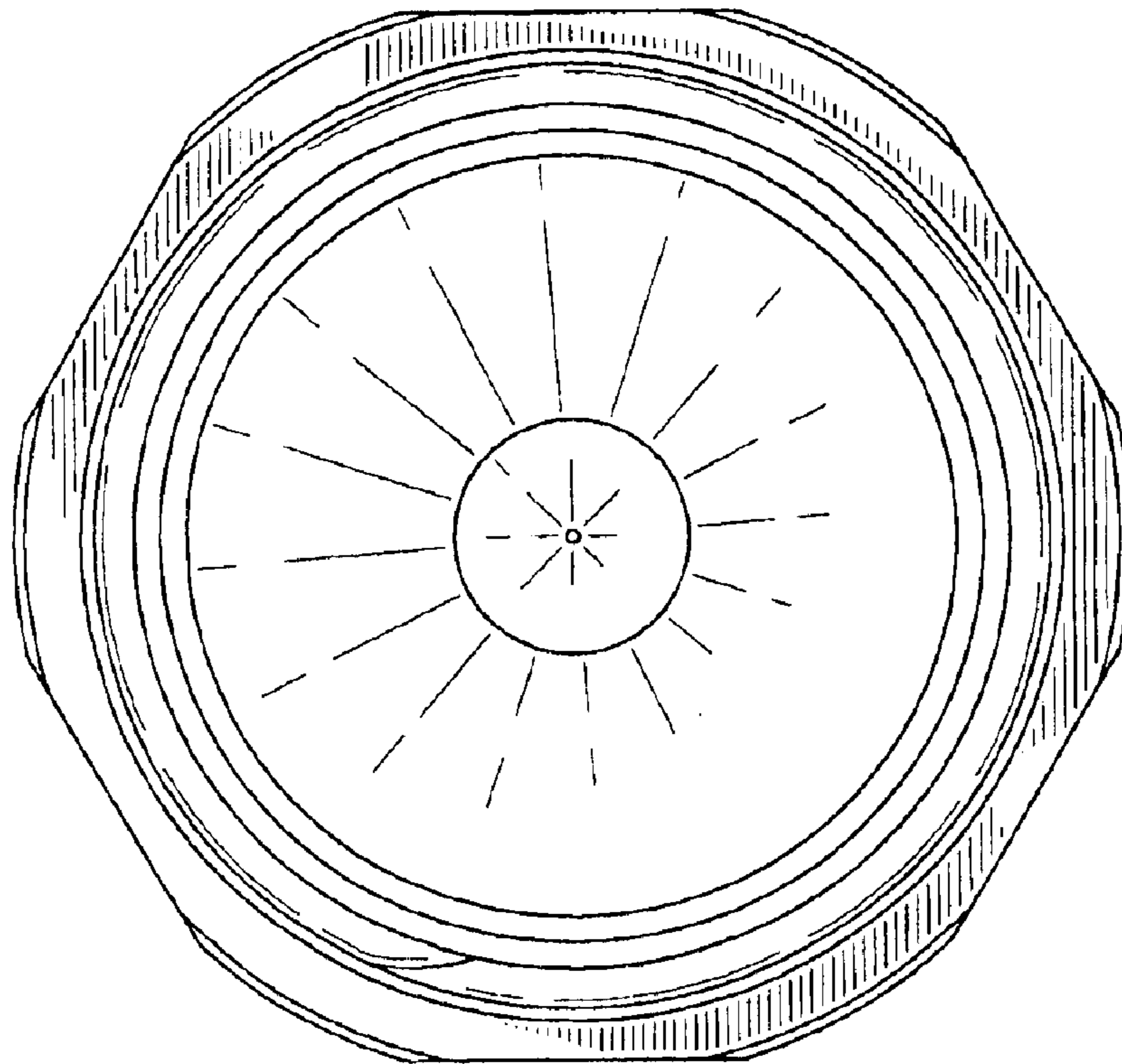


FIG-5