



US00D503728S

(12) **United States Design Patent** (10) **Patent No.:** **US D503,728 S**
Tse et al. (45) **Date of Patent:** **** Apr. 5, 2005**

(54) **FOLDING MACHINE**

(74) *Attorney, Agent, or Firm*—Seyfarth Shaw LLP

(75) Inventors: **Kieron Hiuhon Tse**, Arlington Heights, IL (US); **Jason Grochowski**, Wheeling, IL (US)

(57) **CLAIM**

The ornamental design for the folding machine, as shown and described.

(73) Assignee: **The Hedman Company**, Elk Grove Village, IL (US)

DESCRIPTION

(**) Term: **14 Years**

(21) Appl. No.: **29/188,984**

(22) Filed: **Aug. 27, 2003**

(51) **LOC (7) Cl.** **15-09**

(52) **U.S. Cl.** **D15/123**

(58) **Field of Search** D15/123; 493/419, 493/420, 421, 451, 458, 477

FIG. 1 is a perspective view of a first embodiment of the folding machine showing our new design; FIG. 2 is a side elevational view of one side of the first embodiment; FIG. 3 is a front elevational view of the first embodiment; FIG. 4 is a side elevational view of the other side of the first embodiment; FIG. 5 is a rear elevational view of the first embodiment; FIG. 6 is a top plan view of the first embodiment; FIG. 7 is a bottom plan view of the first embodiment; FIG. 8 is a perspective view of a second embodiment of the folding machine showing our new design; FIG. 9 is a side elevational view of one side of the second embodiment; FIG. 10 is a front elevational view of the second embodiment; FIG. 11 is a side elevational view of the other side of the second embodiment; FIG. 12 is a rear elevational view of the second embodiment; FIG. 13 is a top plan view of the second embodiment; and, FIG. 14 is a bottom plan view of the second embodiment. The phantom lines in the figures form no part of the claimed invention. The broken line showings in FIGS. 1–14 are for illustrative purposes only and form no part of the claimed design.

(56) **References Cited**

U.S. PATENT DOCUMENTS

3,178,171	A	*	4/1965	Springer et al.	493/421
5,269,744	A	*	12/1993	Moll	493/421
5,374,233	A	*	12/1994	Lehmann et al.	493/421
5,391,138	A	*	2/1995	Abramson et al.	493/421
6,206,817	B1	*	3/2001	Sette et al.	493/421

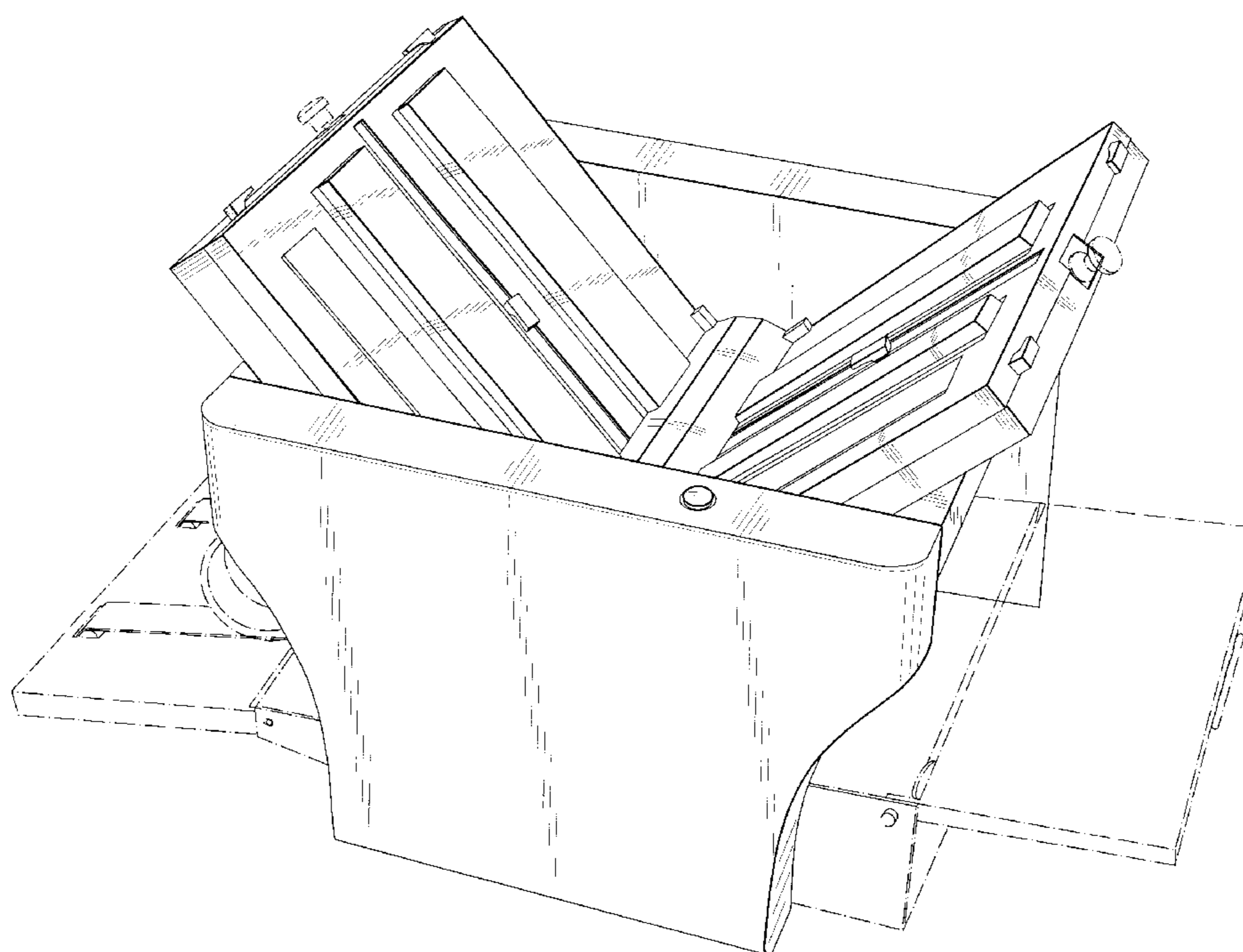
OTHER PUBLICATIONS

Duplo 590 Auto Paper Folder, pp. 1,2, www.addressingmachines.com/duplo.

* cited by examiner

Primary Examiner—Antoine D. Davis

1 Claim, 10 Drawing Sheets



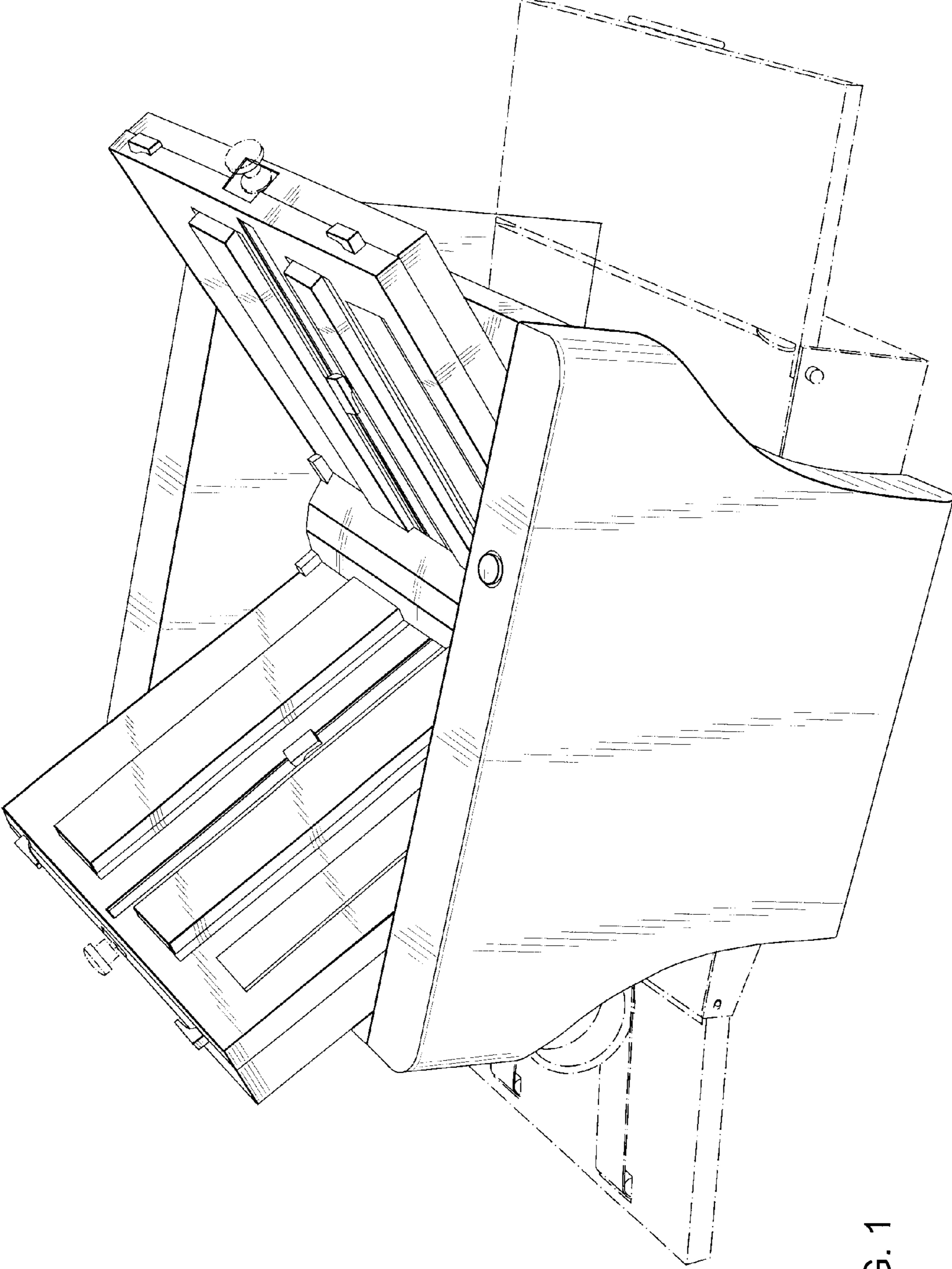


FIG. 1

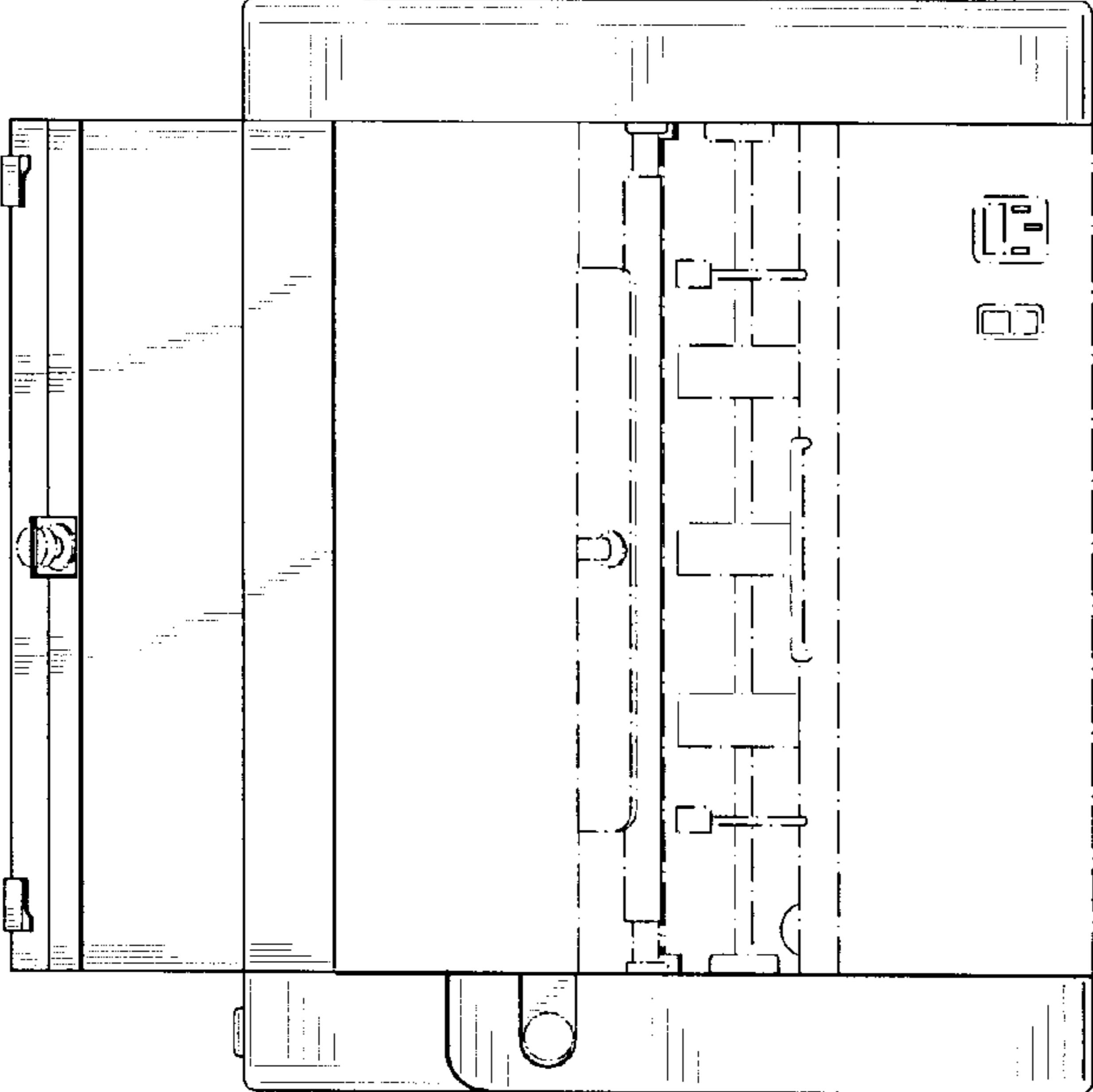


FIG. 3

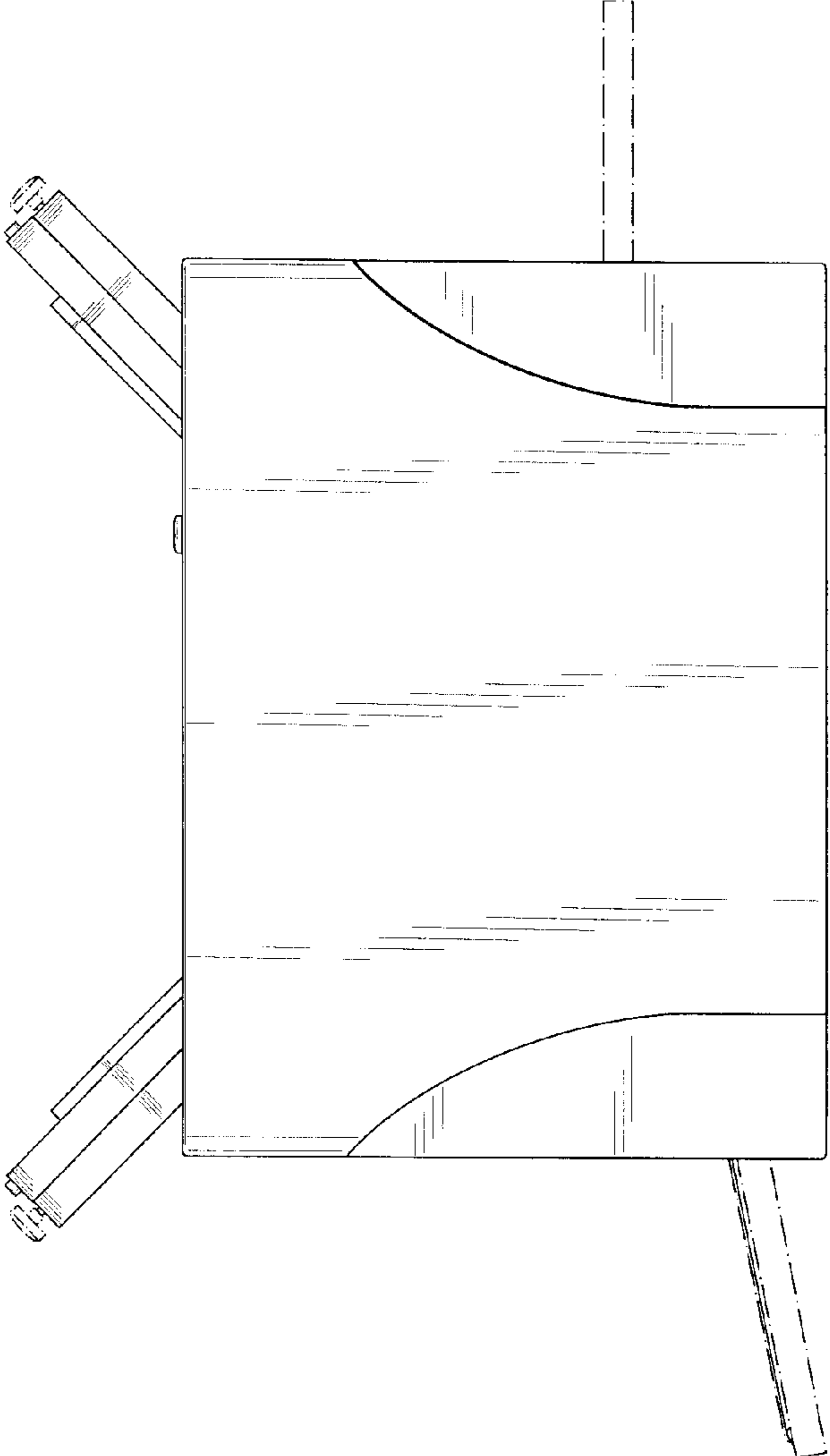


FIG. 2

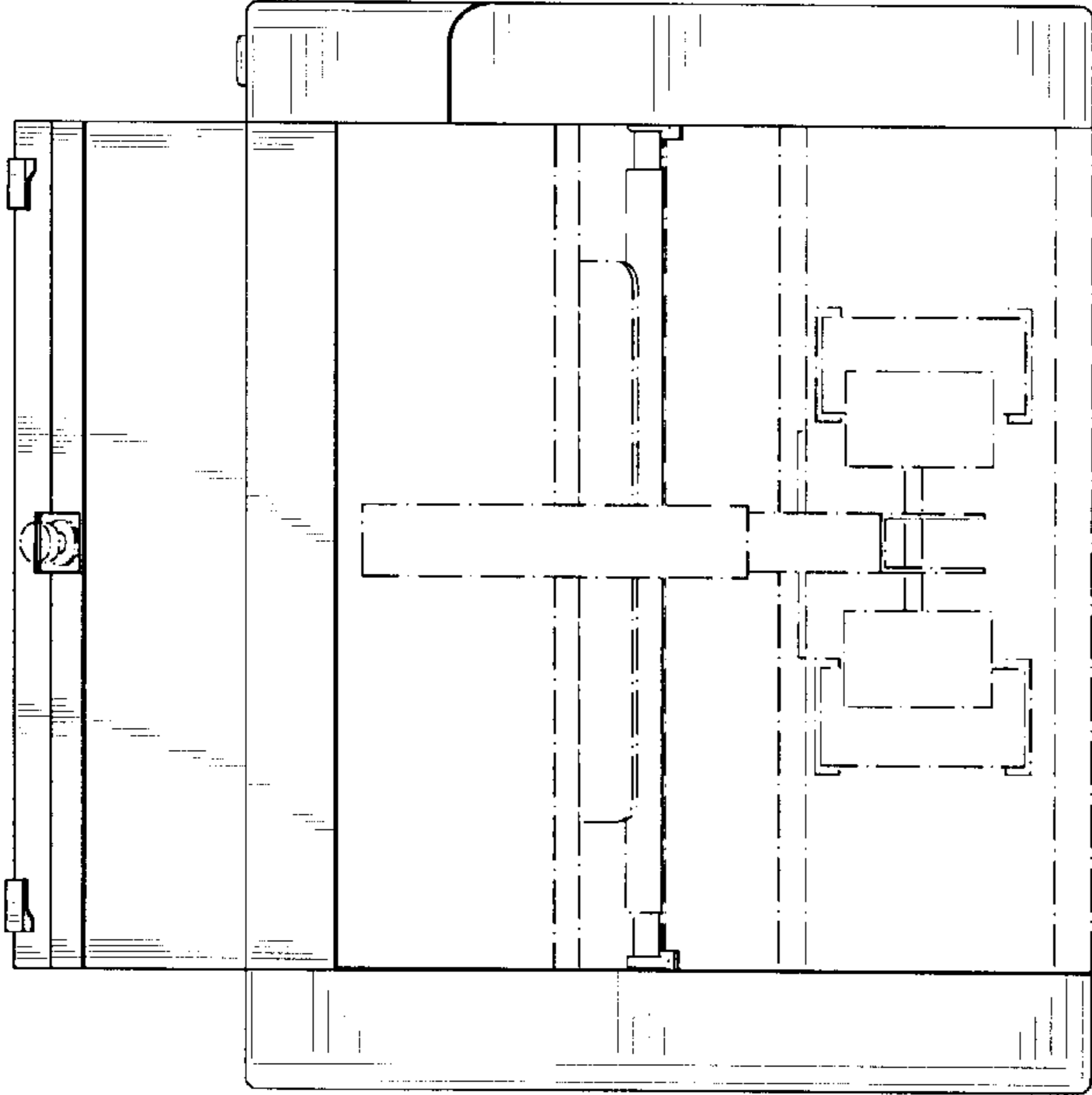


FIG. 5

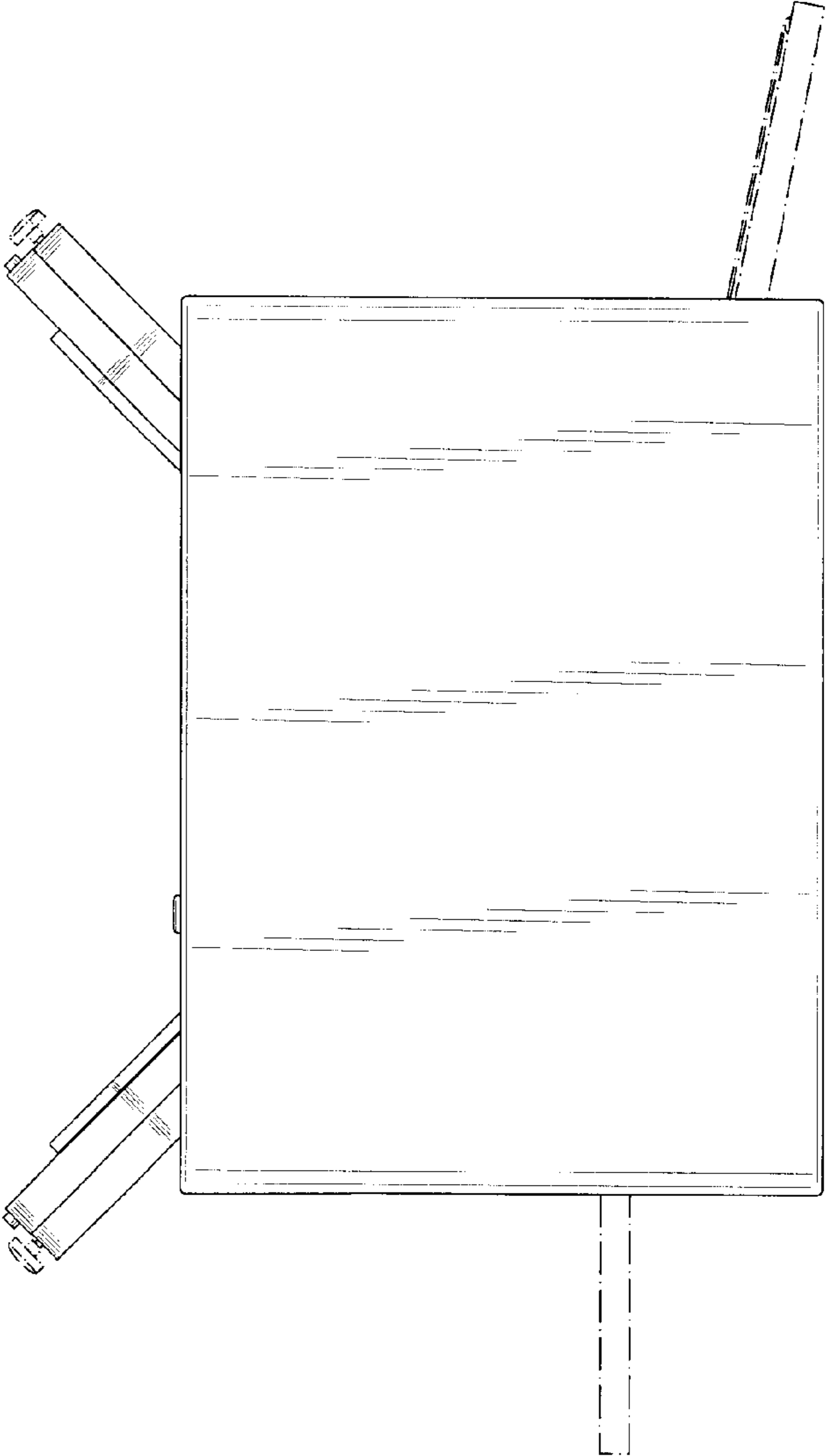


FIG. 4

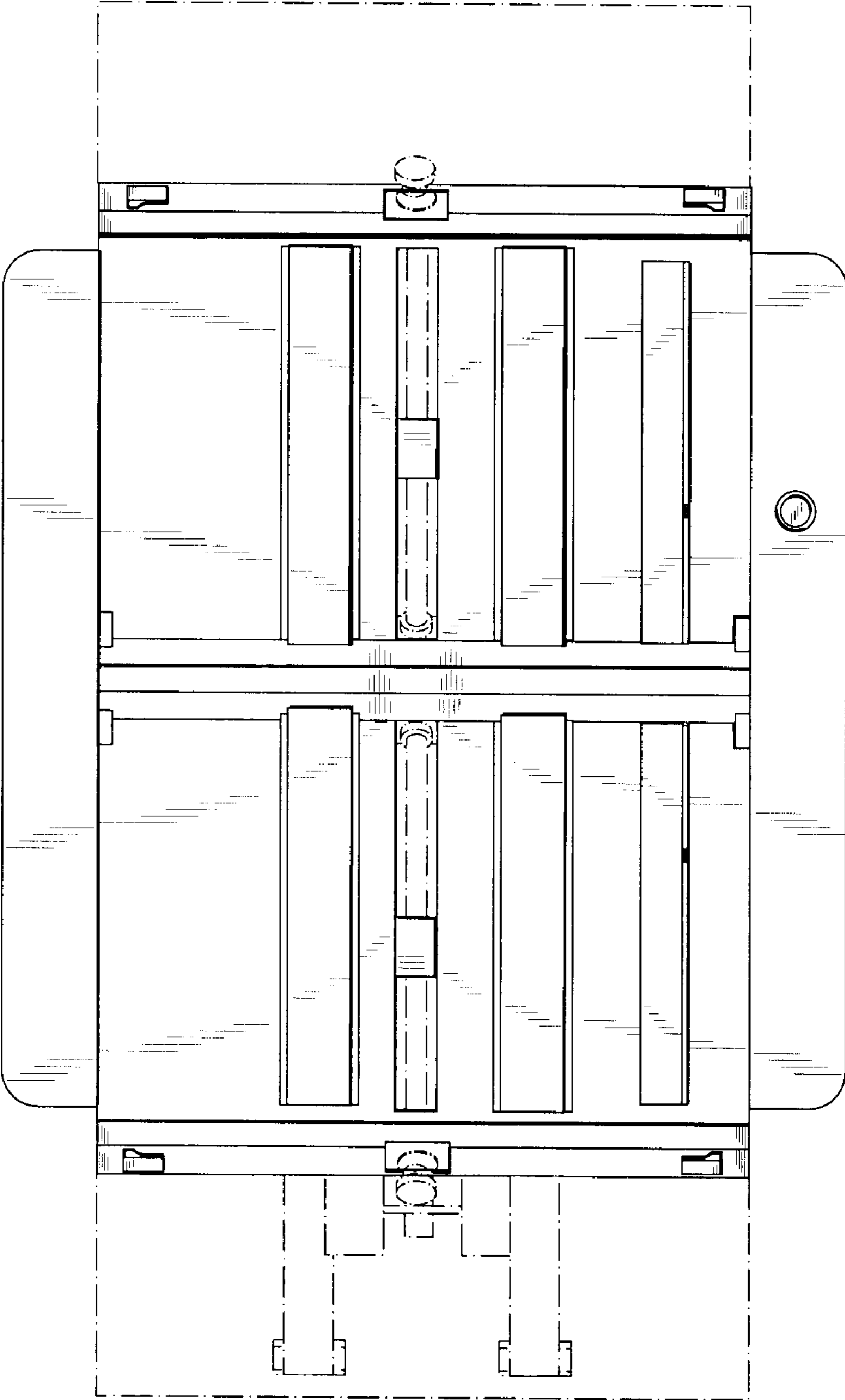


FIG. 6

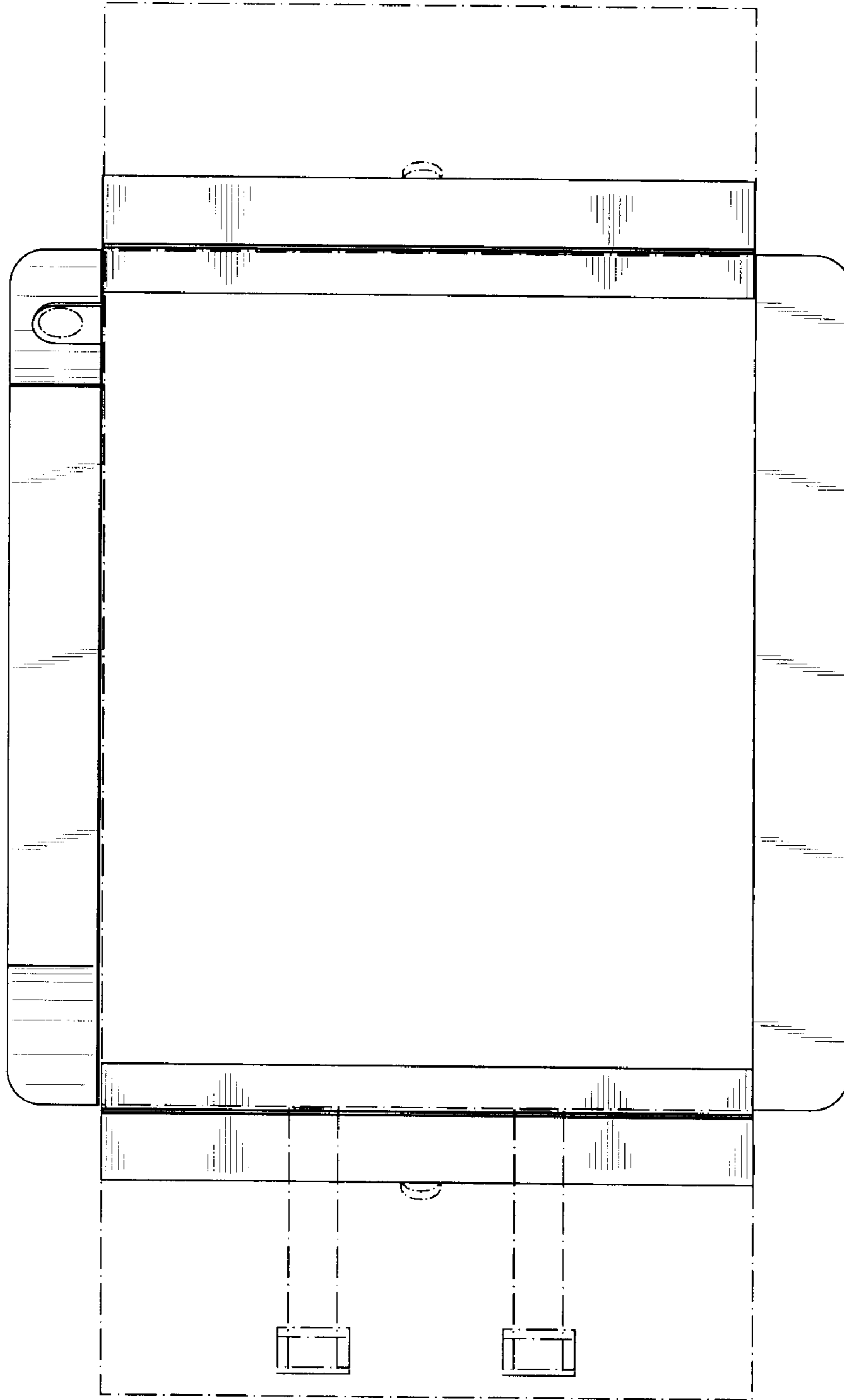


FIG. 7

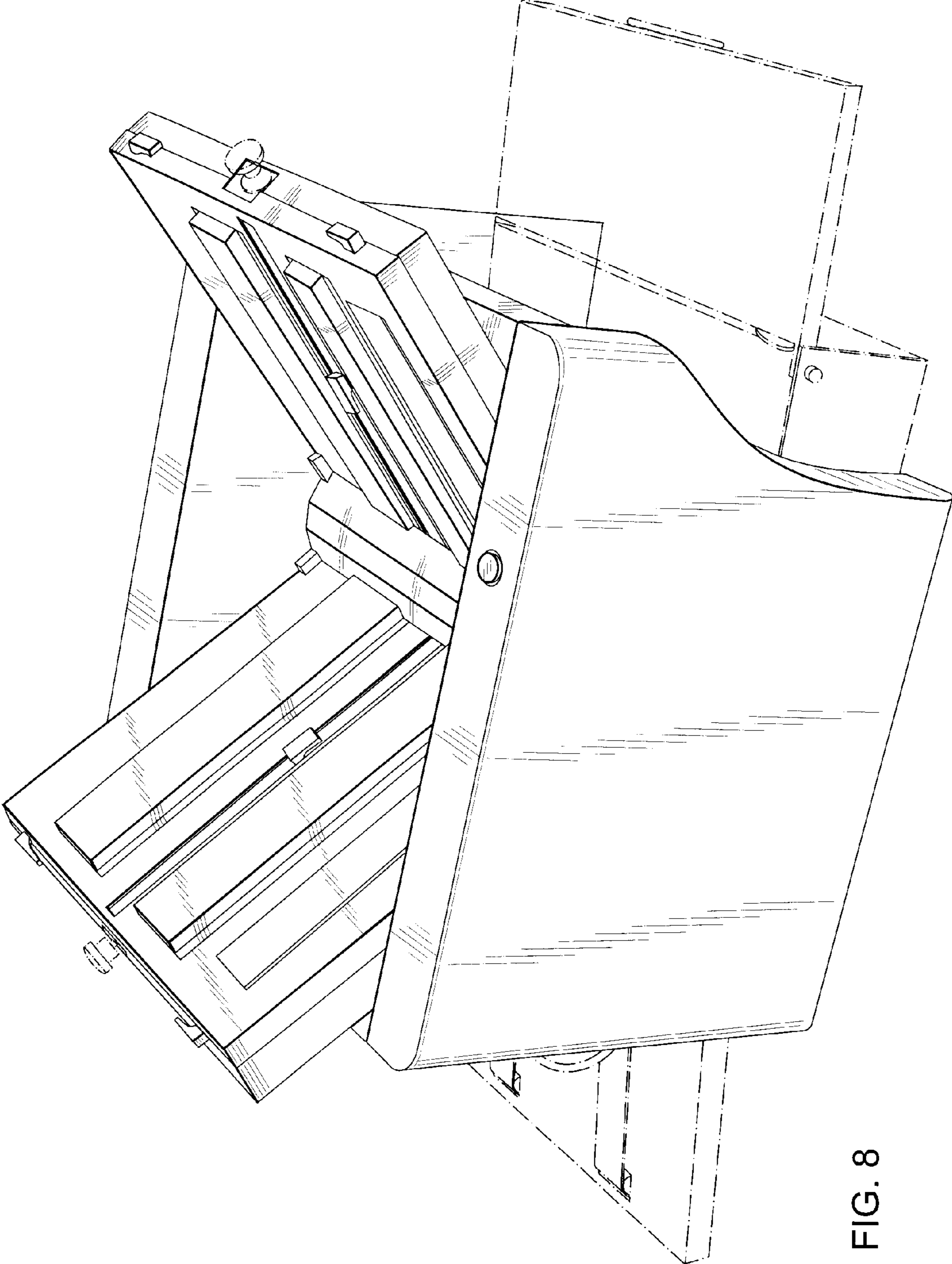


FIG. 8

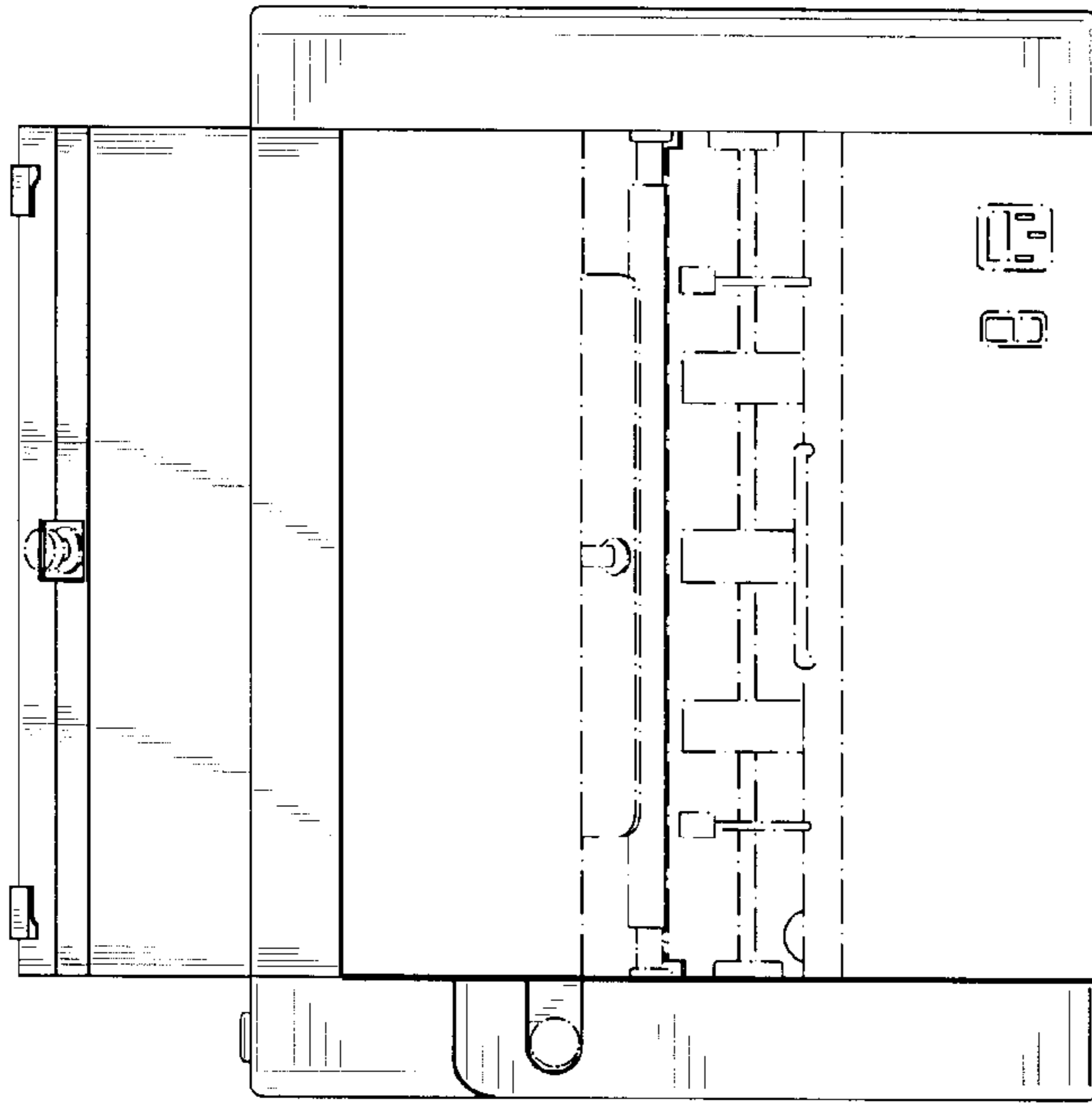


FIG. 10

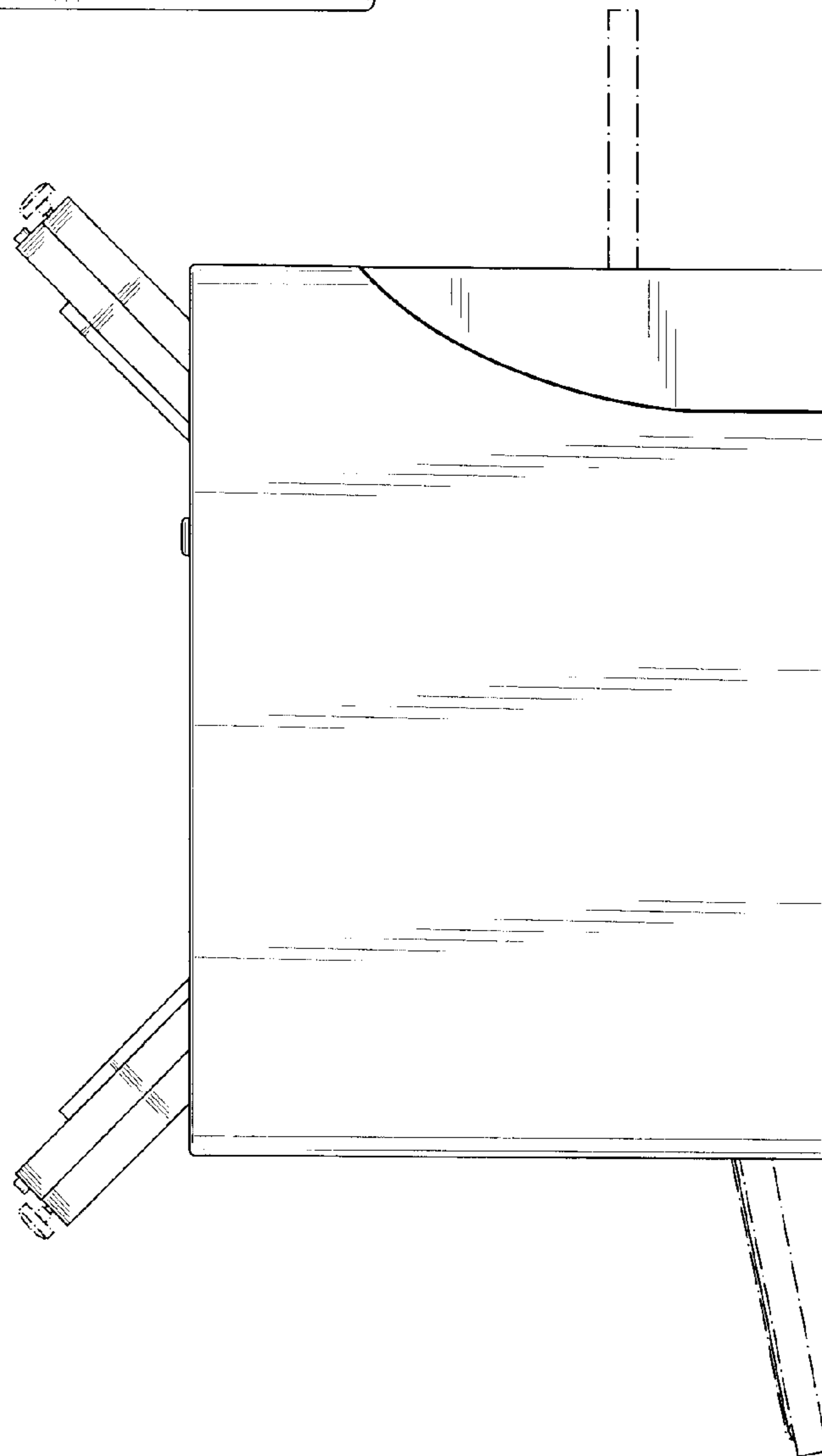


FIG. 9

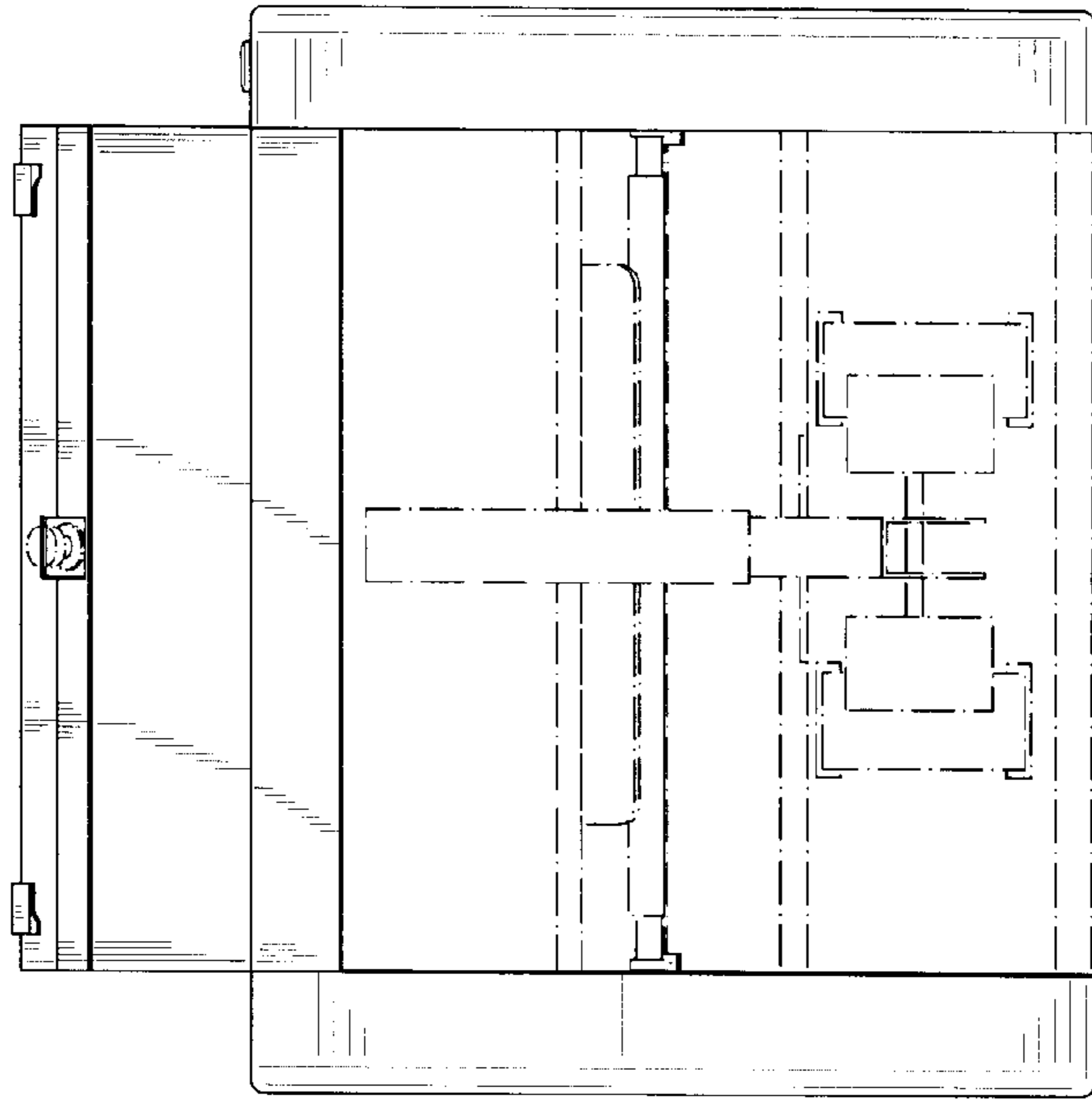


FIG. 12

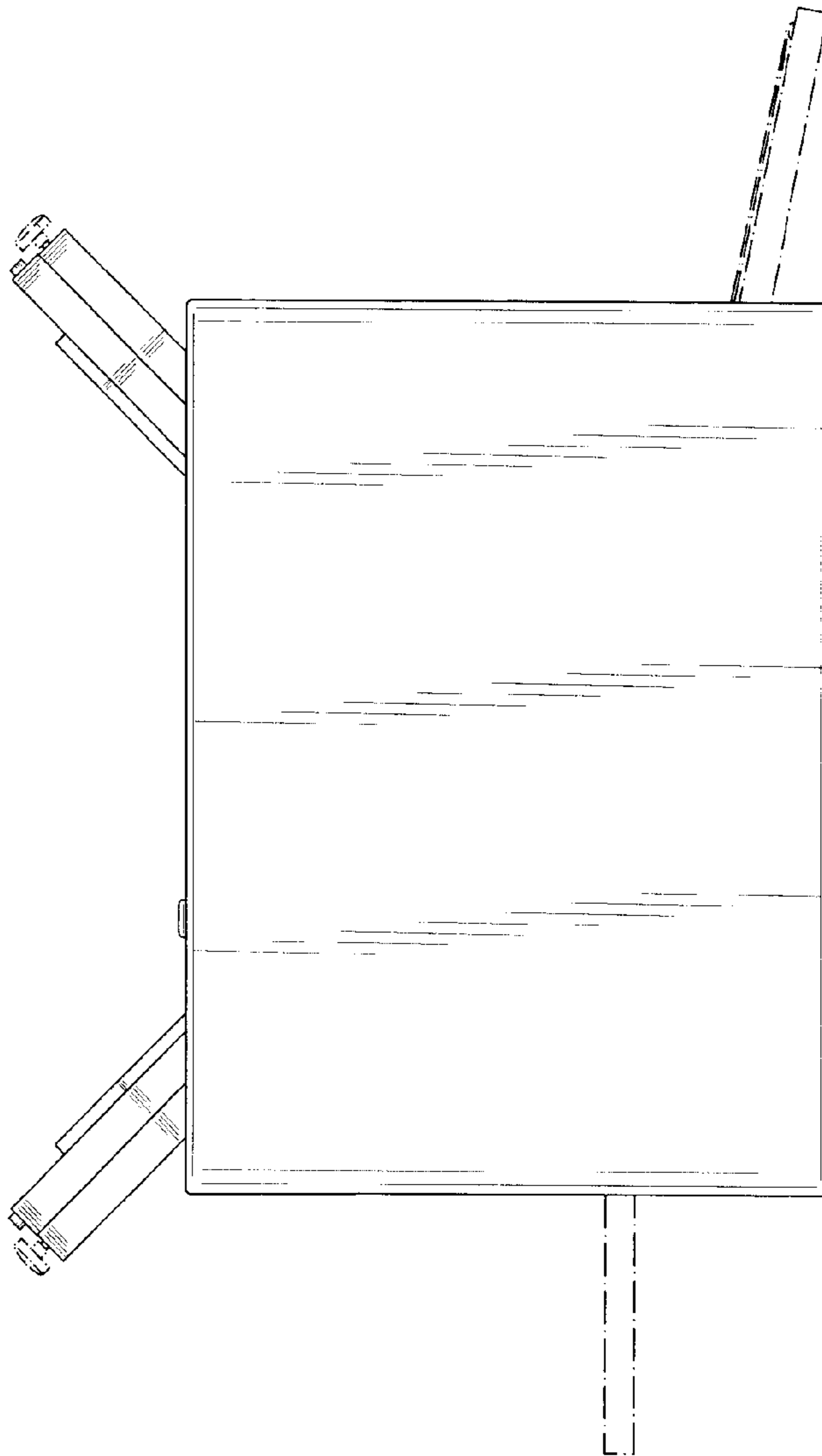


FIG. 11

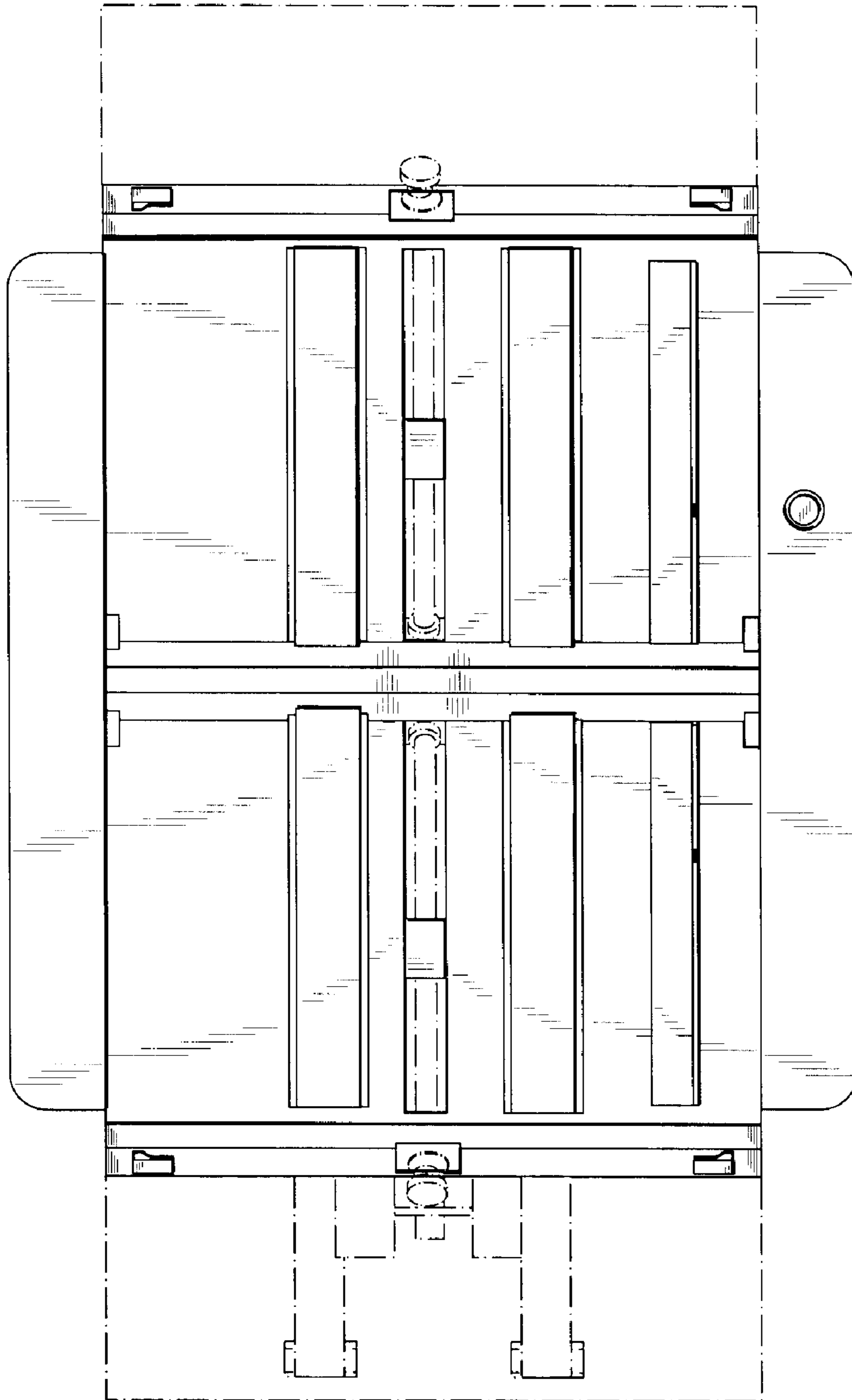


FIG. 13

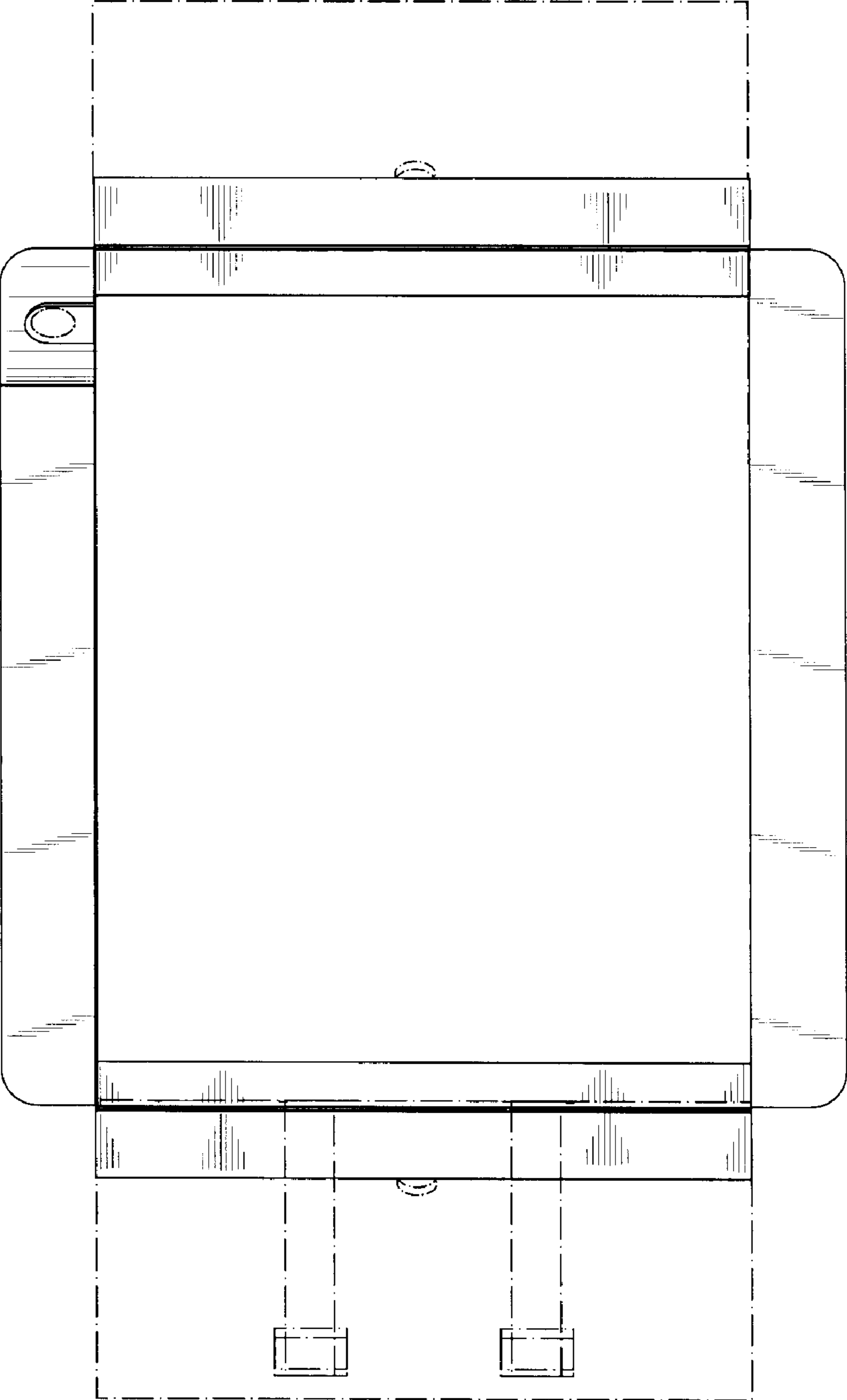


FIG. 14