

US00D503727S

(12) **United States Design Patent**
Johnson

(10) **Patent No.:** **US D503,727 S**

(45) **Date of Patent:** **** Apr. 5, 2005**

(54) **WIRE GRIPPING SEGMENT OF A WIRE GRIPPING ASSEMBLY FOR USE IN A TIRE BEAD WINDING ASSEMBLY**

Primary Examiner—Antoine D. Davis
(74) *Attorney, Agent, or Firm*—George R. McGuire; Bond, Schoeneck & King, PLLC

(75) **Inventor:** **Christopher L. Johnson**, Blossvale, NY (US)

(57) **CLAIM**

(73) **Assignee:** **Bartell Machinery Systems, LLC**, Rome, NY (US)

The ornamental design for a wire gripping segment of a wire gripping assembly for use in a tire bead winding assembly, as shown and described.

(**) **Term:** **14 Years**

DESCRIPTION

(21) **Appl. No.:** **29/193,110**

FIG. 1 is a perspective view of a new design for a wire gripping segment of a wire gripping assembly for use in a tire bead winding assembly, with elements of the wire gripping assembly being shown in phantom lines for illustrative and environmental purposes only;

(22) **Filed:** **Nov. 3, 2003**

FIG. 2 is a top plan view thereof;

(51) **LOC (7) Cl.** **15-09**

(52) **U.S. Cl.** **D15/122**

(58) **Field of Search** 156/136, 442;
D15/122, 199

FIG. 3 is a side elevational view thereof, the other side elevation being a mirror image thereof;

FIG. 4 is a bottom plan view thereof;

(56) **References Cited**

U.S. PATENT DOCUMENTS

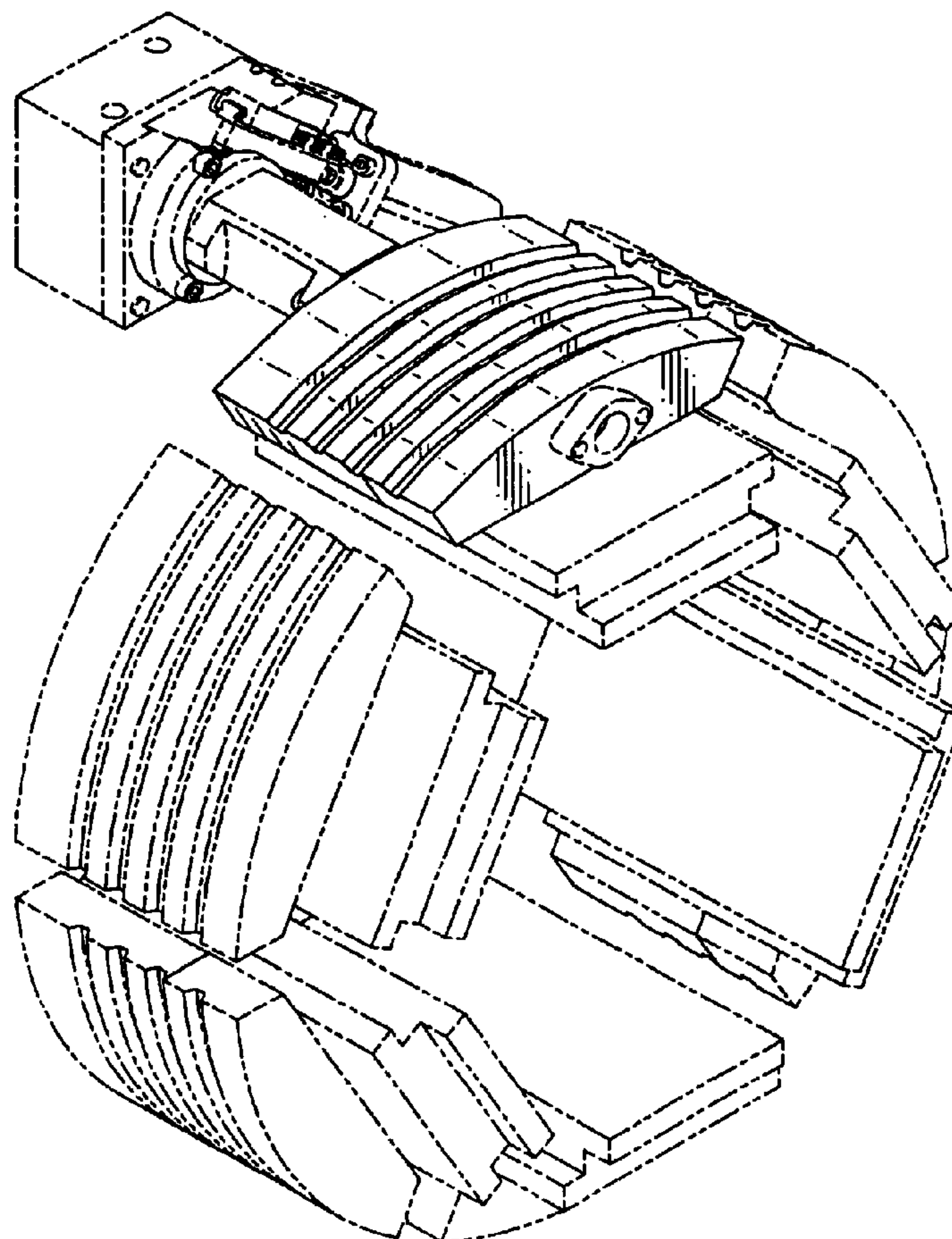
5,882,458 A * 3/1999 Kolb et al. 156/136
6,352,602 B1 * 3/2002 Ogawa 156/136

FIG. 5 is a front elevation view thereof; and,

FIG. 6 is a rear elevation view thereof.

* cited by examiner

1 Claim, 2 Drawing Sheets



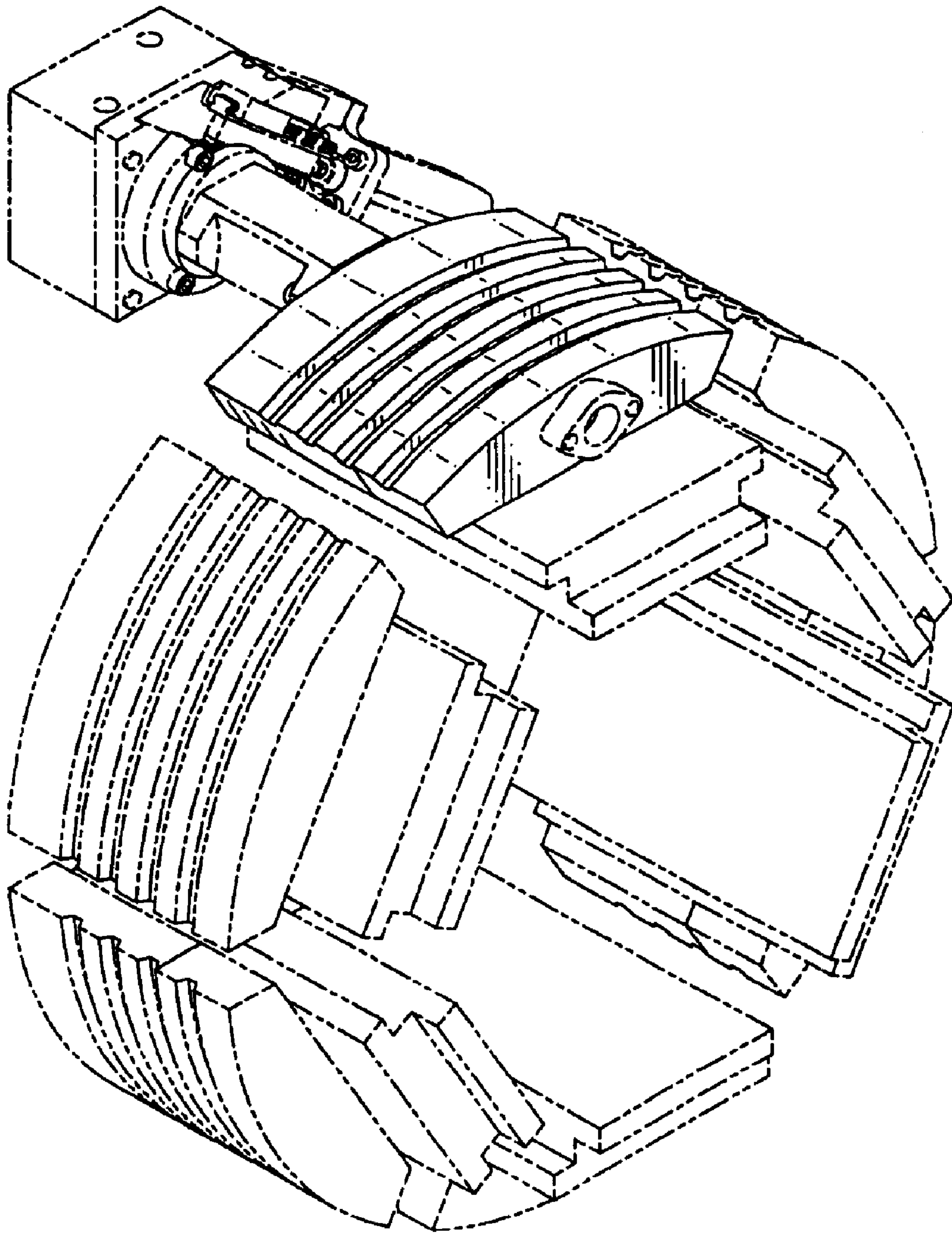


FIG. 1

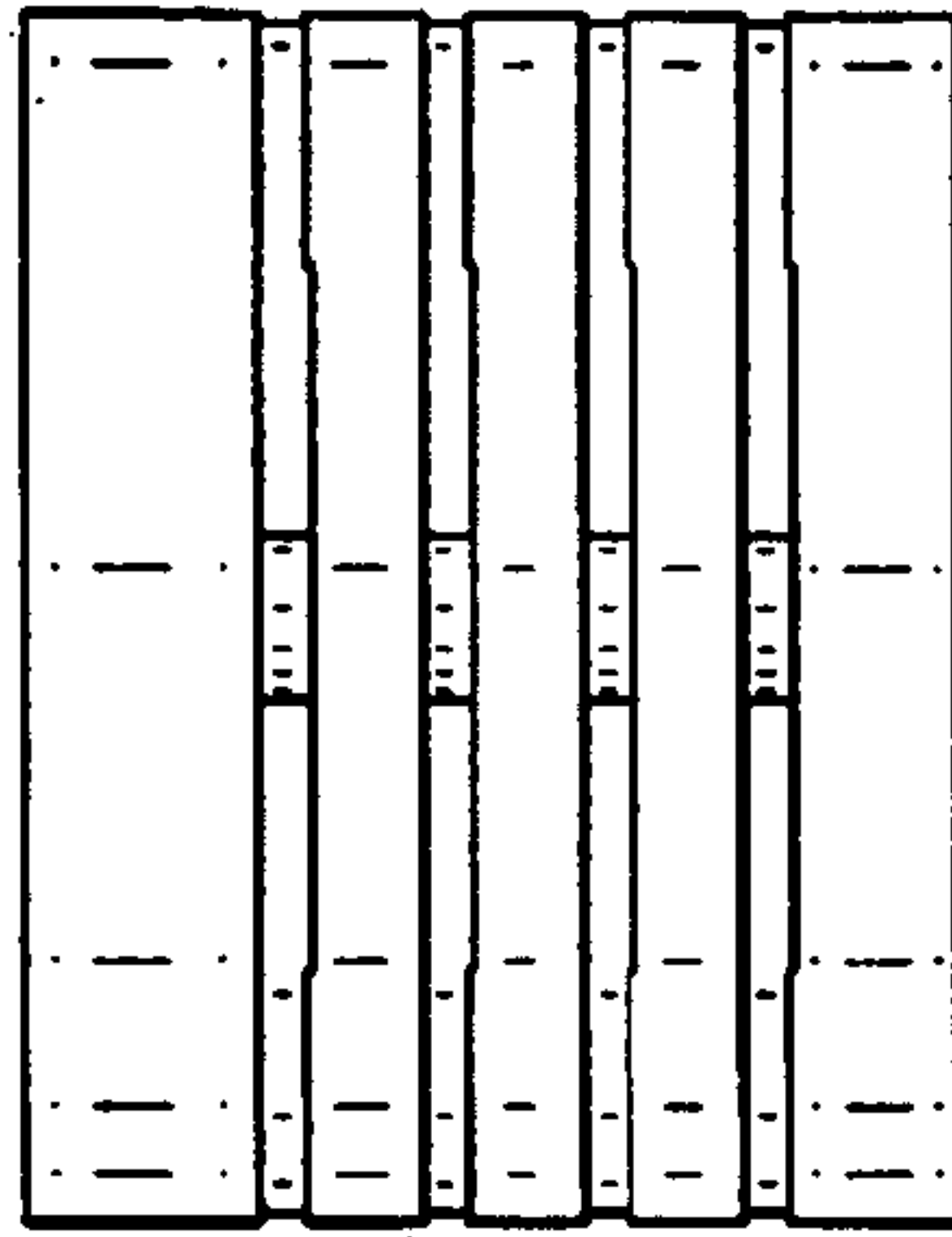


FIG. 2

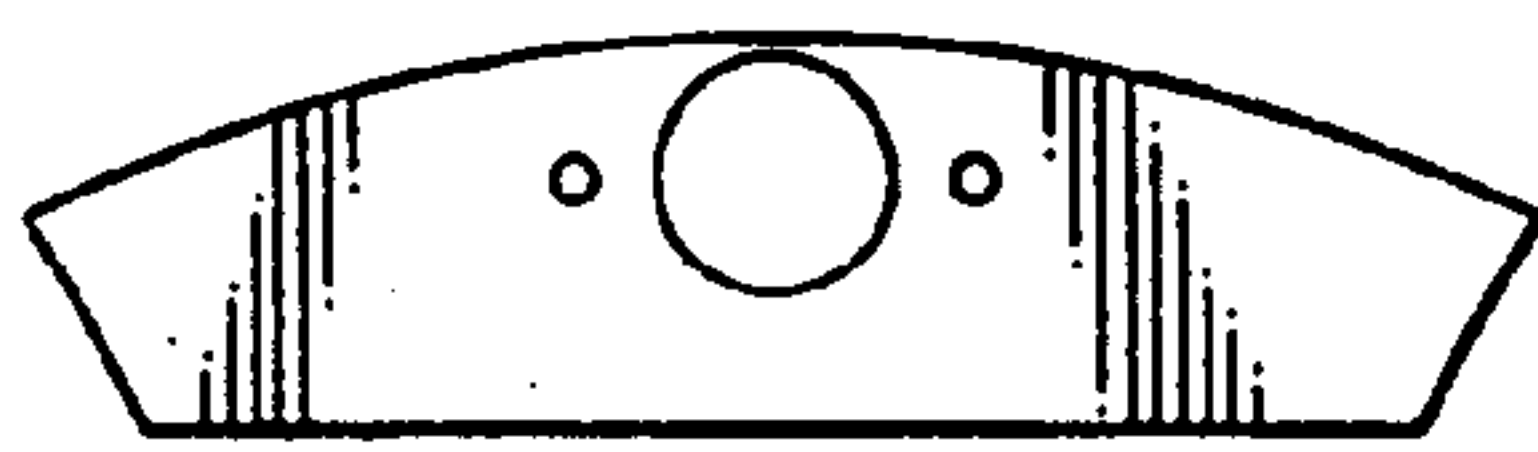


FIG. 5



FIG. 3

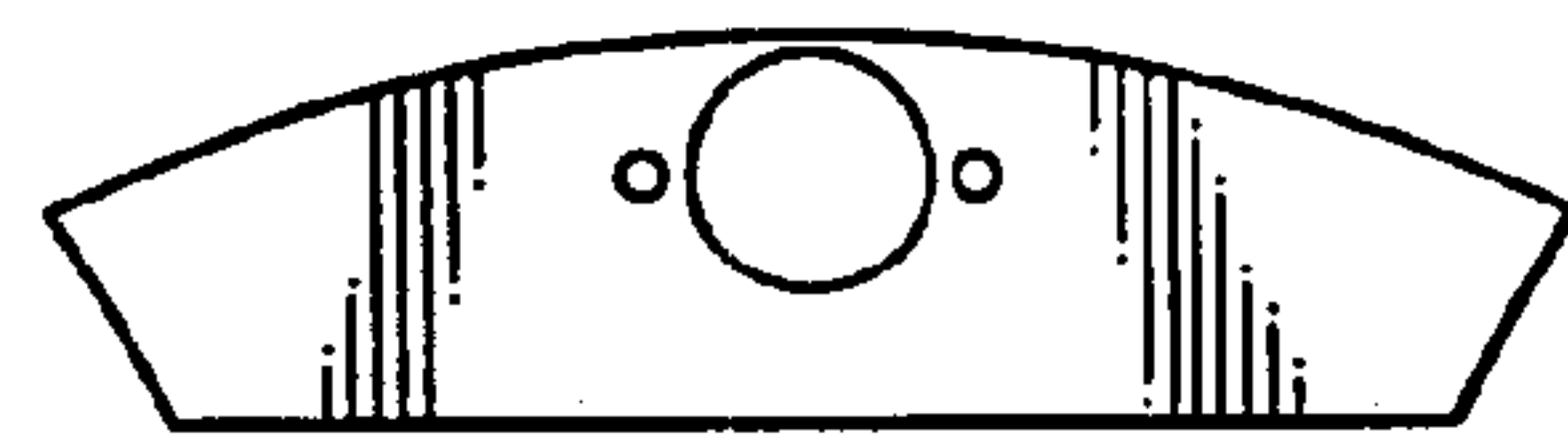


FIG. 6

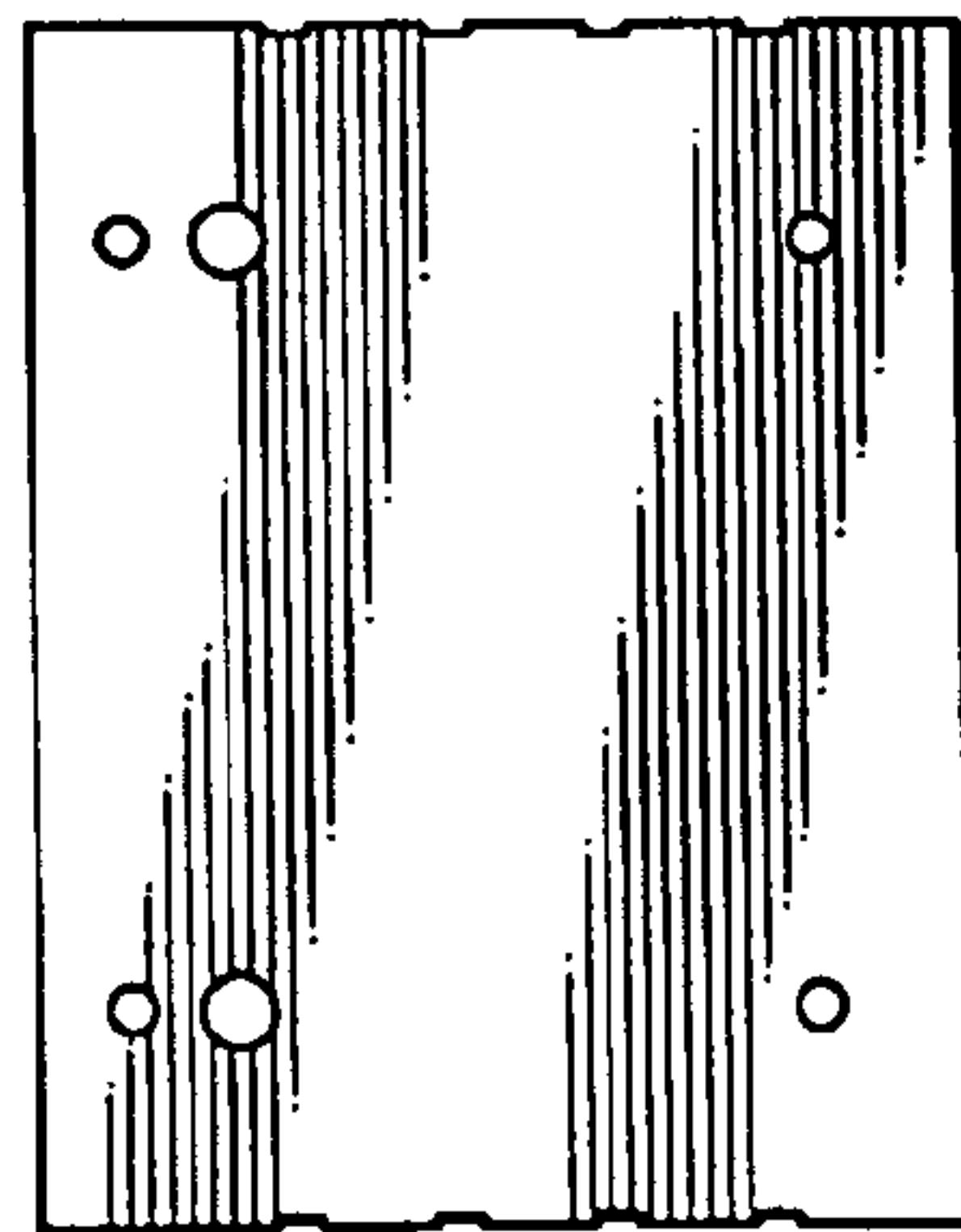


FIG. 4