



US00D503726S

(12) **United States Design Patent**
Iwai

(10) **Patent No.:** **US D503,726 S**

(45) **Date of Patent:** **** Apr. 5, 2005**

(54) **SEWING MACHINE**

(75) **Inventor:** **Nobuyuki Iwai, Chita-gun (JP)**

(73) **Assignee:** **Brother Industries, Ltd., Nagoya (JP)**

(**) **Term:** **14 Years**

(21) **Appl. No.:** **29/199,547**

(22) **Filed:** **Feb. 18, 2004**

(30) **Foreign Application Priority Data**

Sep. 29, 2003 (JP) 2003-028287

(51) **LOC (7) Cl.** **15-06**

(52) **U.S. Cl.** **D15/69**

(58) **Field of Search** D15/66, 69; 112/258-261,
112/63, 217.1, 217, 444

(56) **References Cited**

U.S. PATENT DOCUMENTS

D276,614 S * 12/1984 La Police et al. D15/69

D288,691 S * 3/1987 Amemiya D15/69

D293,115 S * 12/1987 Kuroki D15/69

D296,558 S * 7/1988 Yoneda D15/69

D297,434 S * 8/1988 Yoneda D15/69

D298,755 S * 11/1988 Shibayama et al. D15/69

* cited by examiner

Primary Examiner—Mitchell Siegel

(74) *Attorney, Agent, or Firm*—Oliff & Berridge, PLC

(57) **CLAIM**

The ornamental design for a sewing machine, as shown and described.

DESCRIPTION

FIG. 1 is a front view of a sewing machine;

FIG. 2 is a rear view thereof;

FIG. 3 is a left-side view thereof;

FIG. 4 is a right-side view thereof;

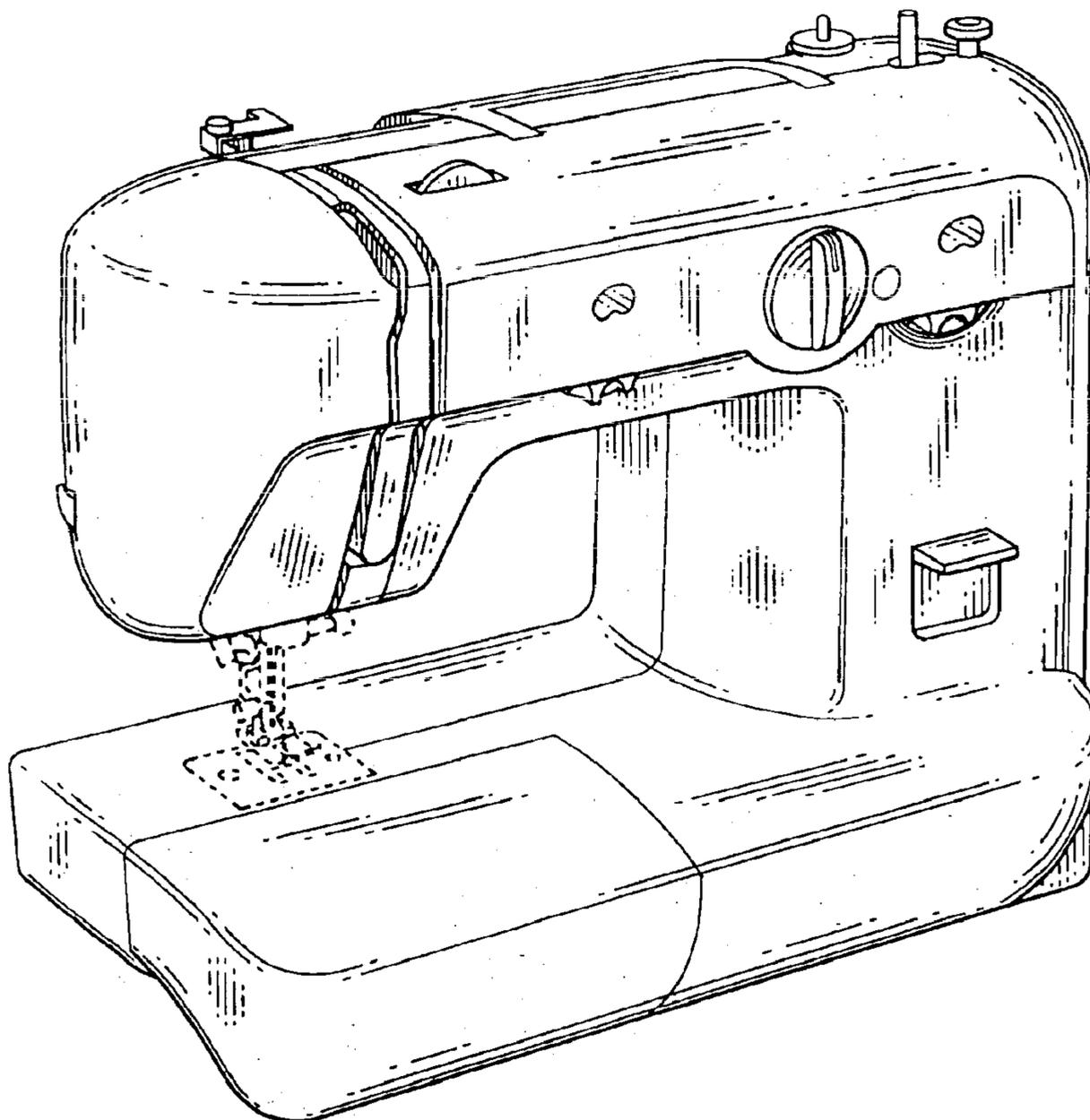
FIG. 5 is a top view thereof;

FIG. 6 is a bottom view thereof; and,

FIG. 7 is a perspective view thereof.

The broken lines are for illustrative purposes only and form no part of the claimed design.

1 Claim, 4 Drawing Sheets



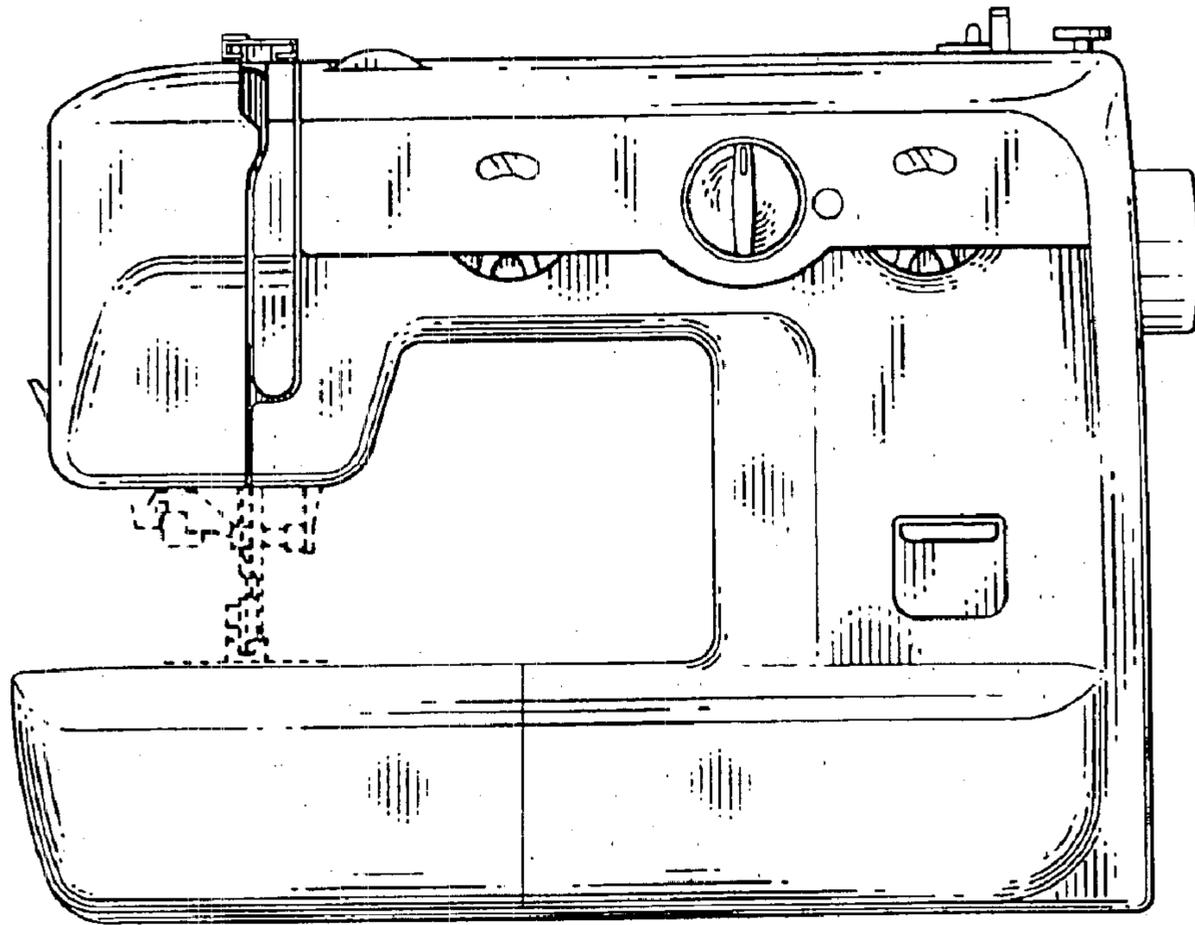


Fig. 1

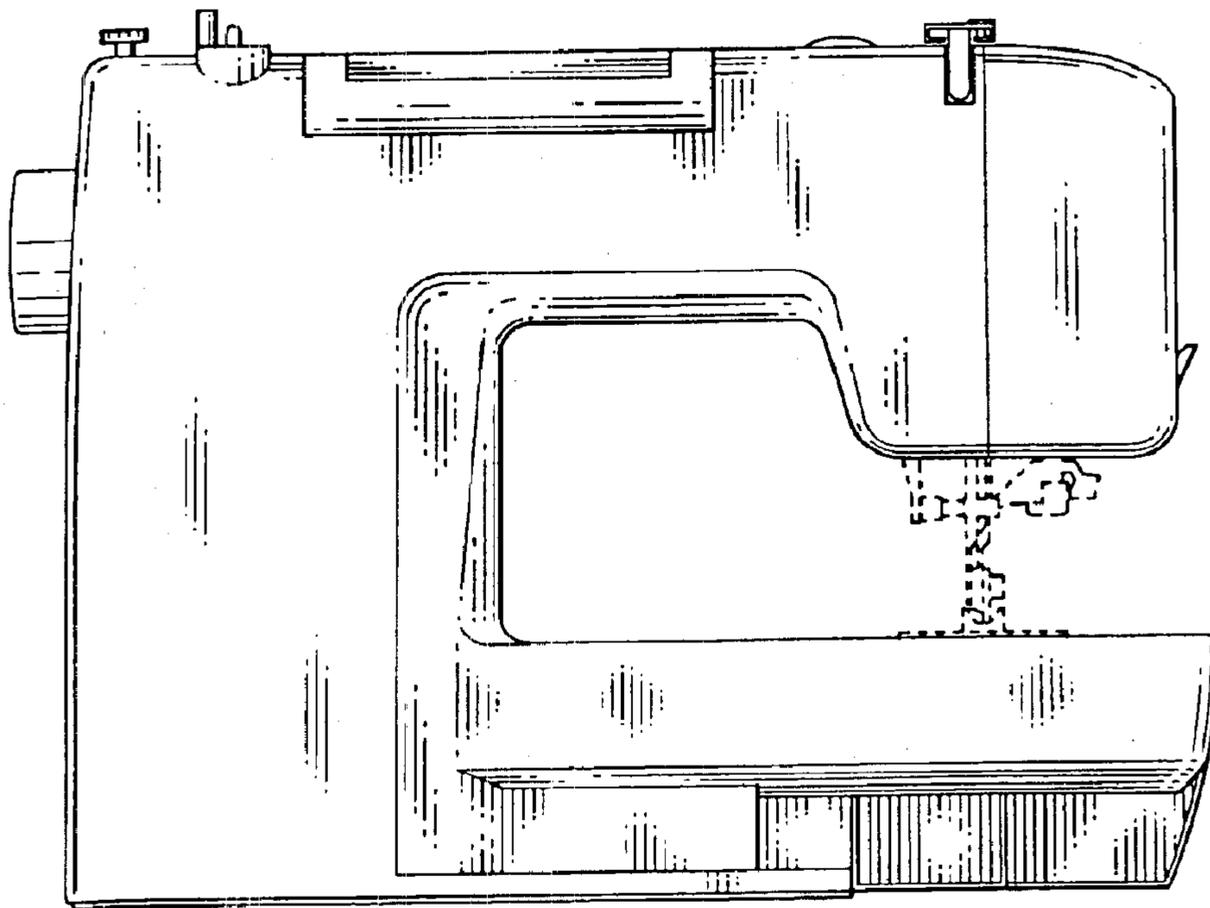


Fig. 2

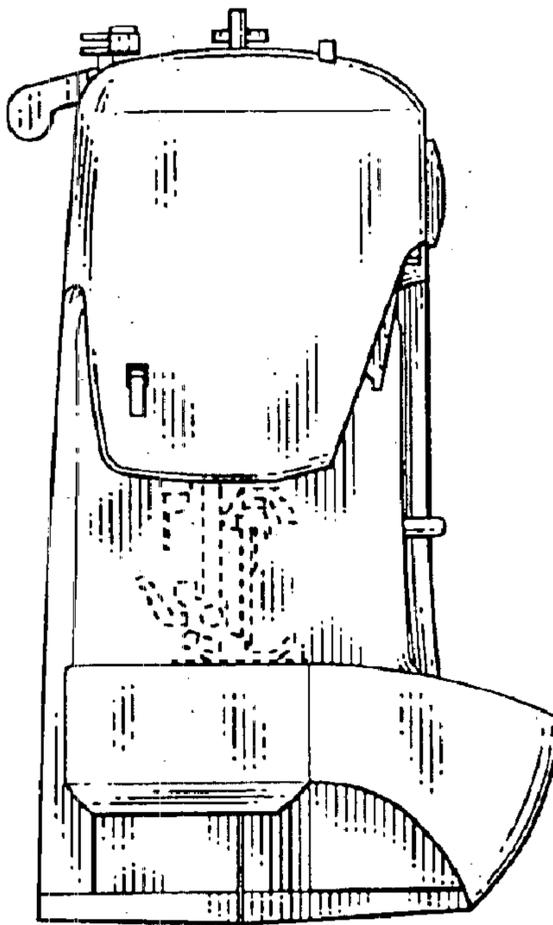


Fig. 3

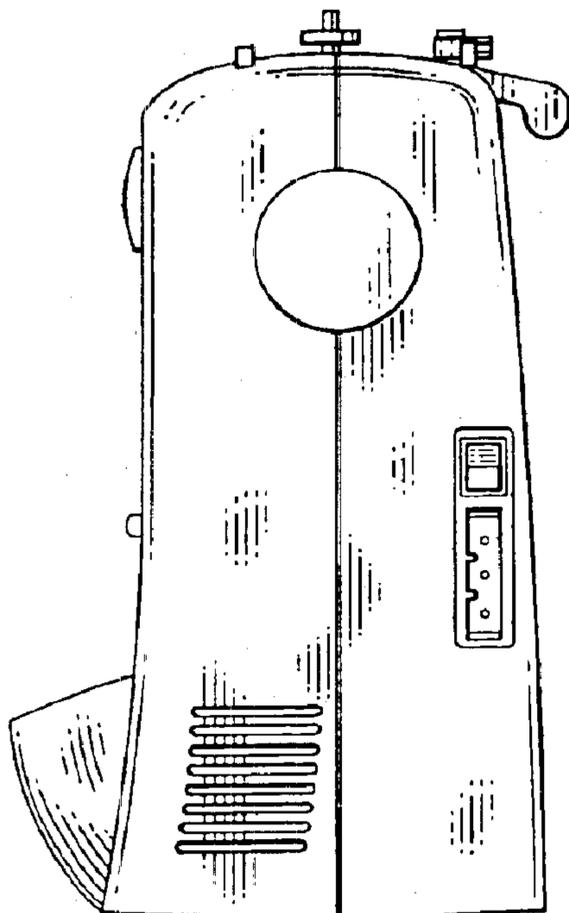


Fig. 4

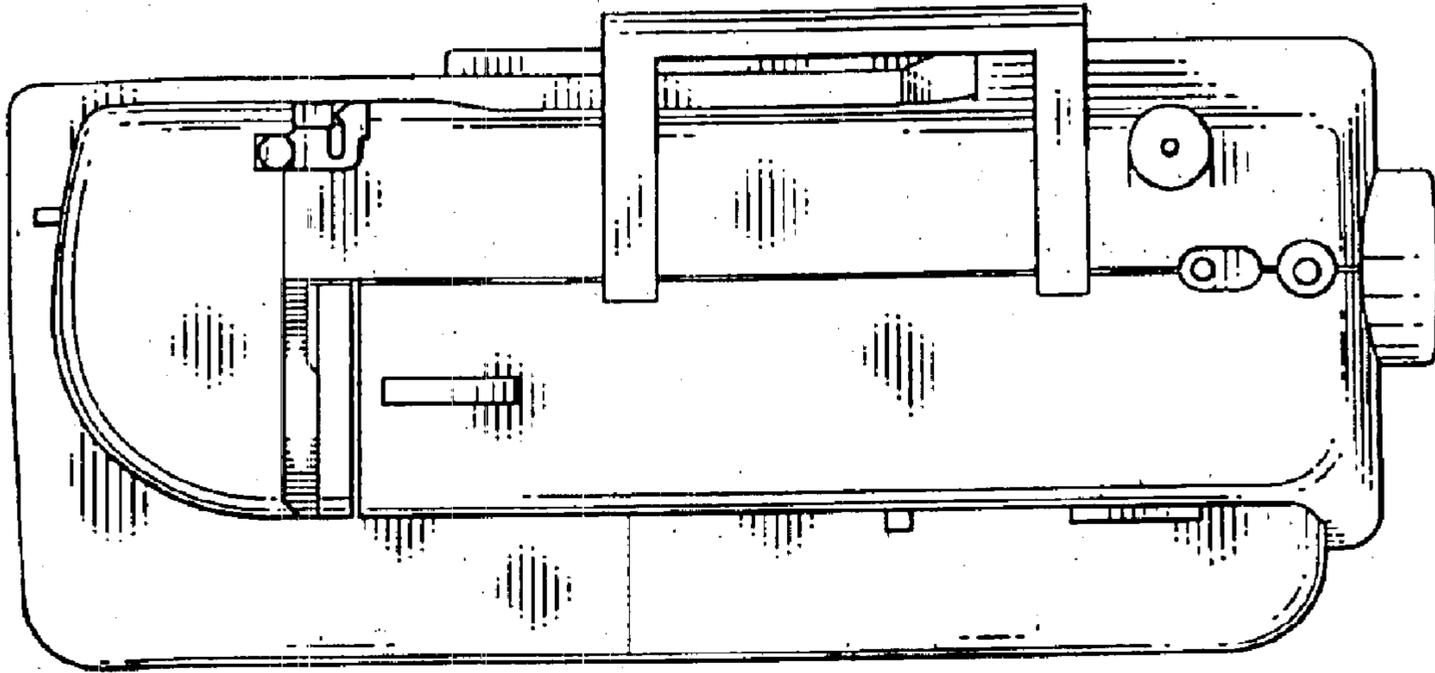


Fig. 5

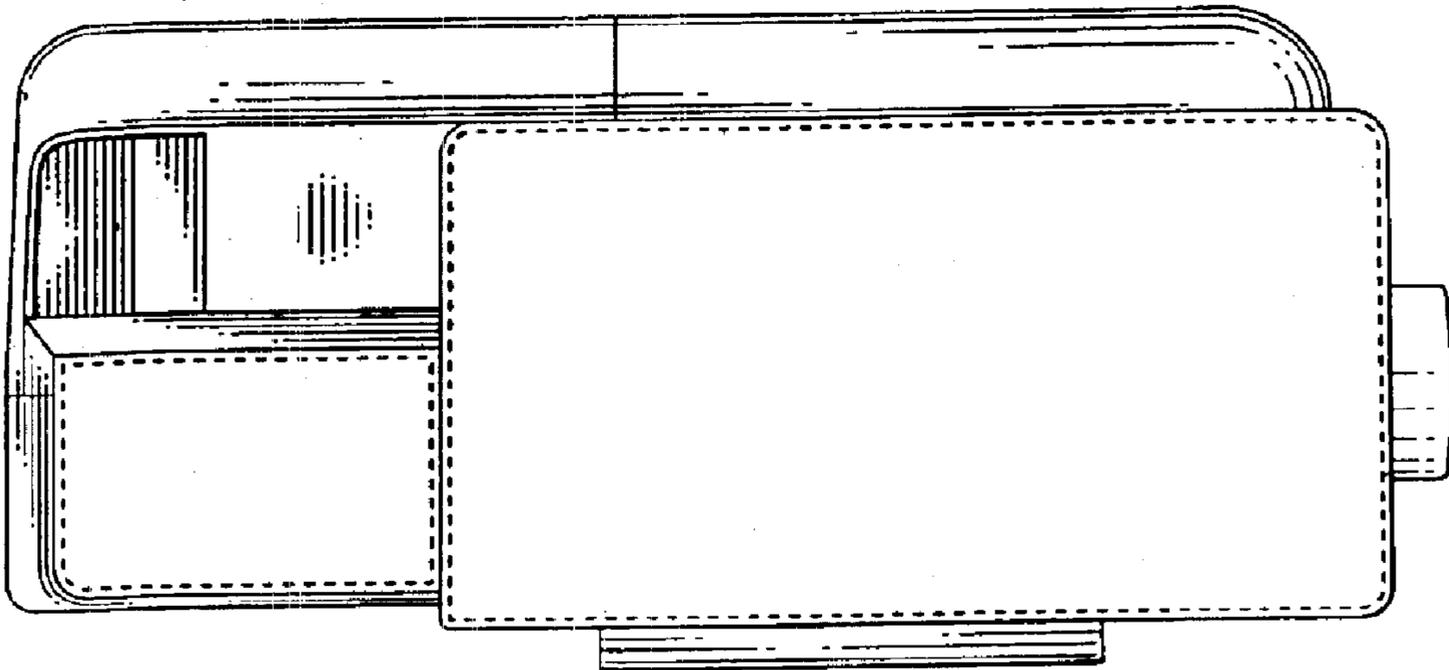


Fig. 6

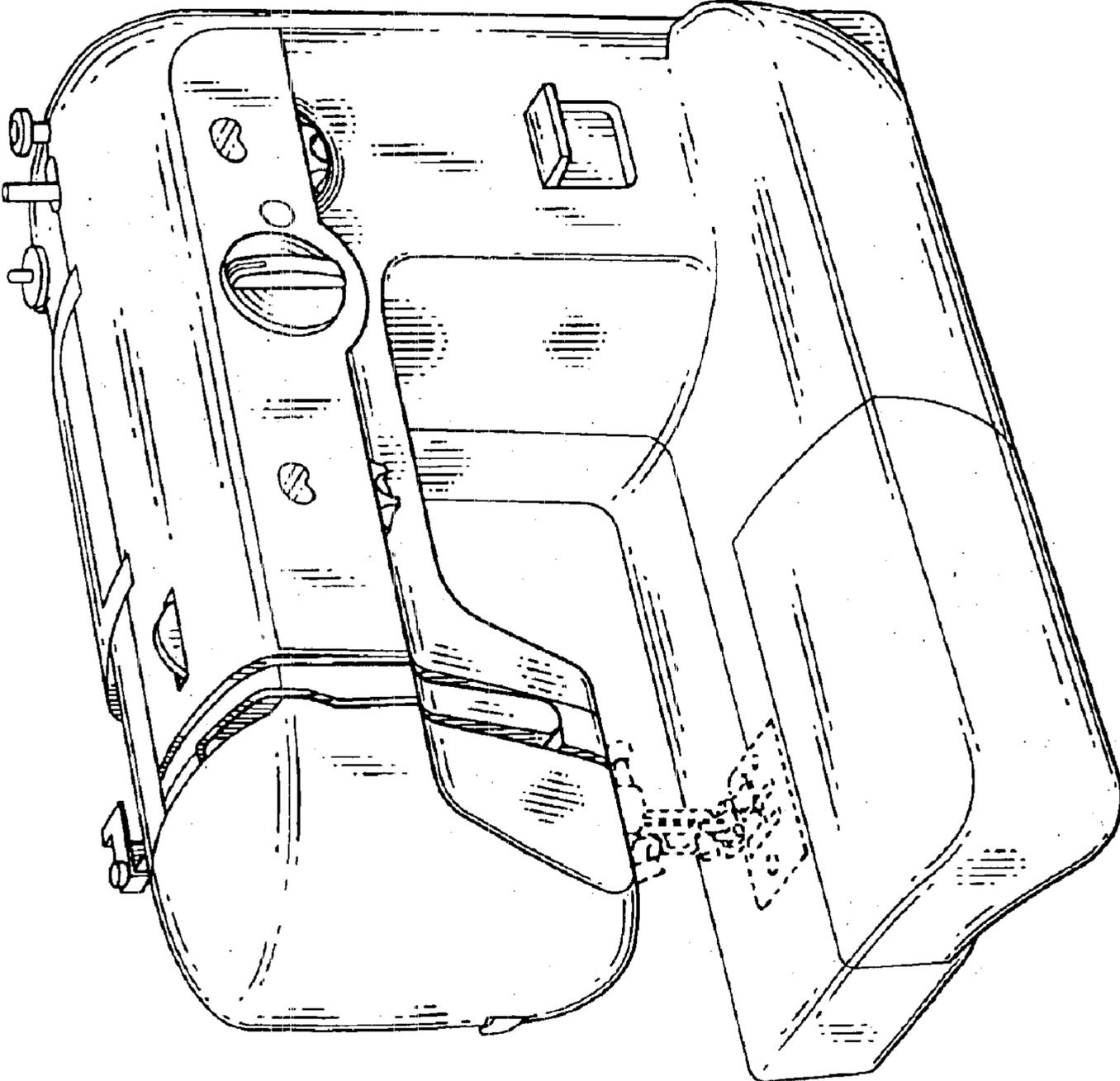


Fig. 7