

US00D503724S

(12) **United States Design Patent Grant**

(10) **Patent No.:** **US D503,724 S**

(45) **Date of Patent:** **** Apr. 5, 2005**

(54) **VALVE COVER FOR INTERNAL COMBUSTION ENGINE**

6,520,134 B1 * 2/2003 Plunkett et al. 123/90.38
6,672,272 B2 * 1/2004 McGloin 123/195 C

(76) **Inventor:** **Barry S. Grant**, Route 1, Box 1900, Dahlonga, GA (US) 30533

* cited by examiner

(**) **Term:** **14 Years**

Primary Examiner—Melody N. Brown
(74) *Attorney, Agent, or Firm*—Thomas, Kayden, Horstemeyer & Risley

(21) **Appl. No.:** **29/170,910**

(57) **CLAIM**

(22) **Filed:** **Nov. 13, 2002**

The ornamental design for a valve cover for internal combustion engine, as shown and described.

(51) **LOC (7) Cl.** **15-01**

(52) **U.S. Cl.** **D15/5**

(58) **Field of Search** D15/5; 123/195 C, 123/198 E, 90.38

DESCRIPTION

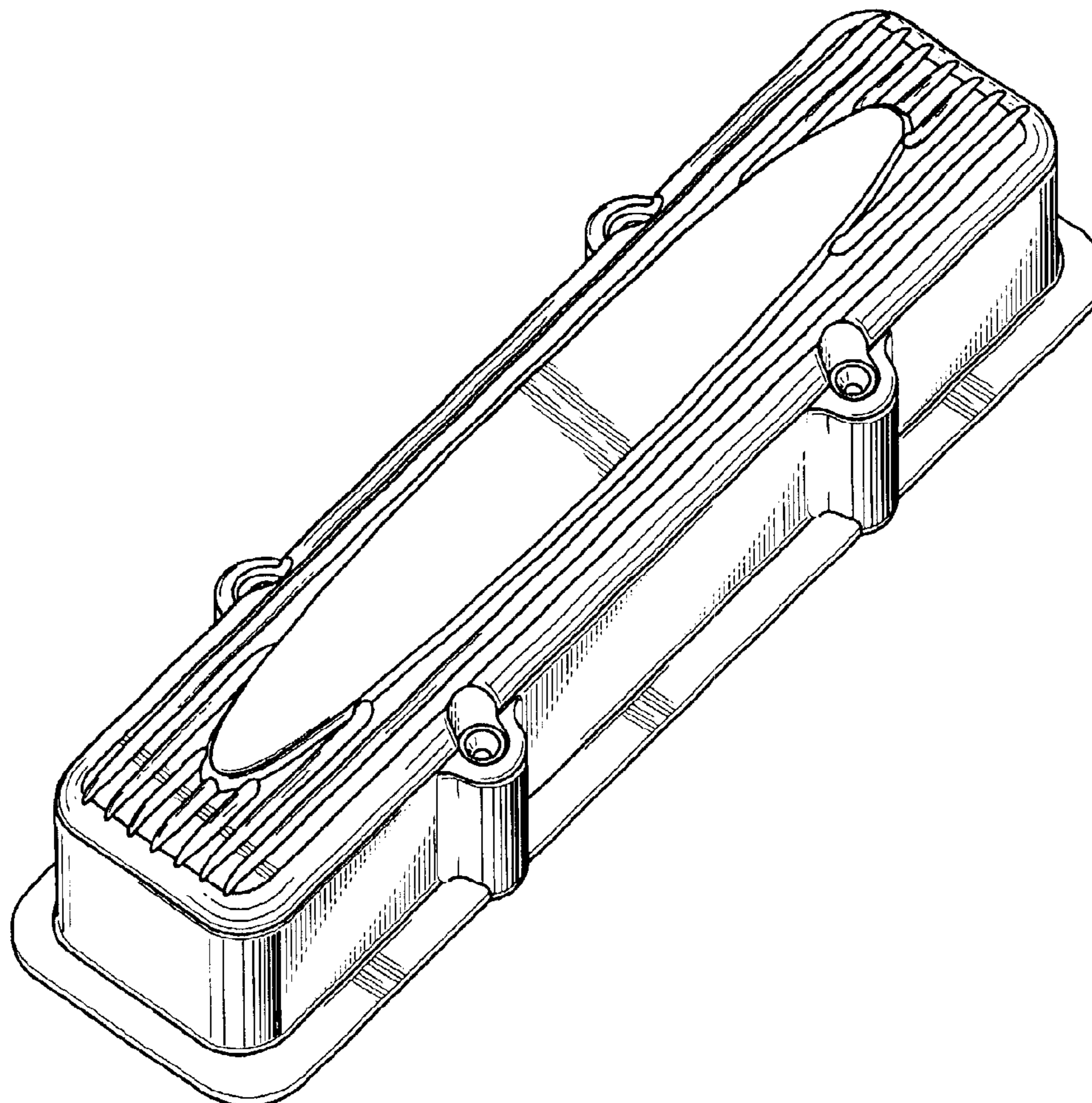
FIG. 1 is a perspective view of the valve cover for internal combustion engine;
FIG. 2 is a top view thereof;
FIG. 3 is a right end view thereof, with the opposite end being a duplicate thereof; and,
FIG. 4 is a side view thereof, with the opposite side being a duplicate thereof.

(56) **References Cited**

U.S. PATENT DOCUMENTS

D422,551 S * 4/2000 Haines D12/400
6,098,583 A * 8/2000 Gordon 123/90.38
6,302,074 B1 * 10/2001 Bolsover et al. 123/90.38
6,491,014 B1 * 12/2002 Eickert 123/195 C

1 Claim, 2 Drawing Sheets



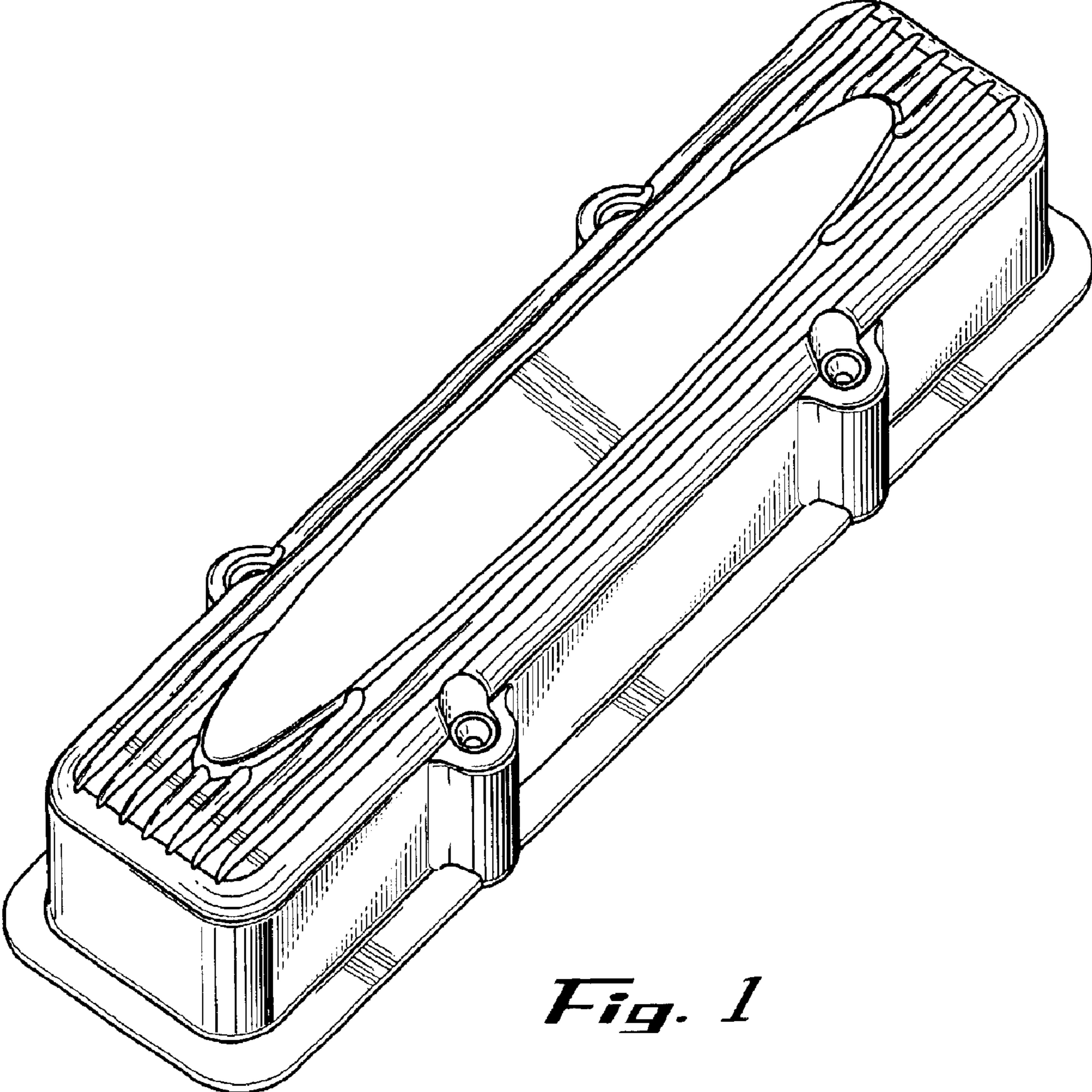


Fig. 1

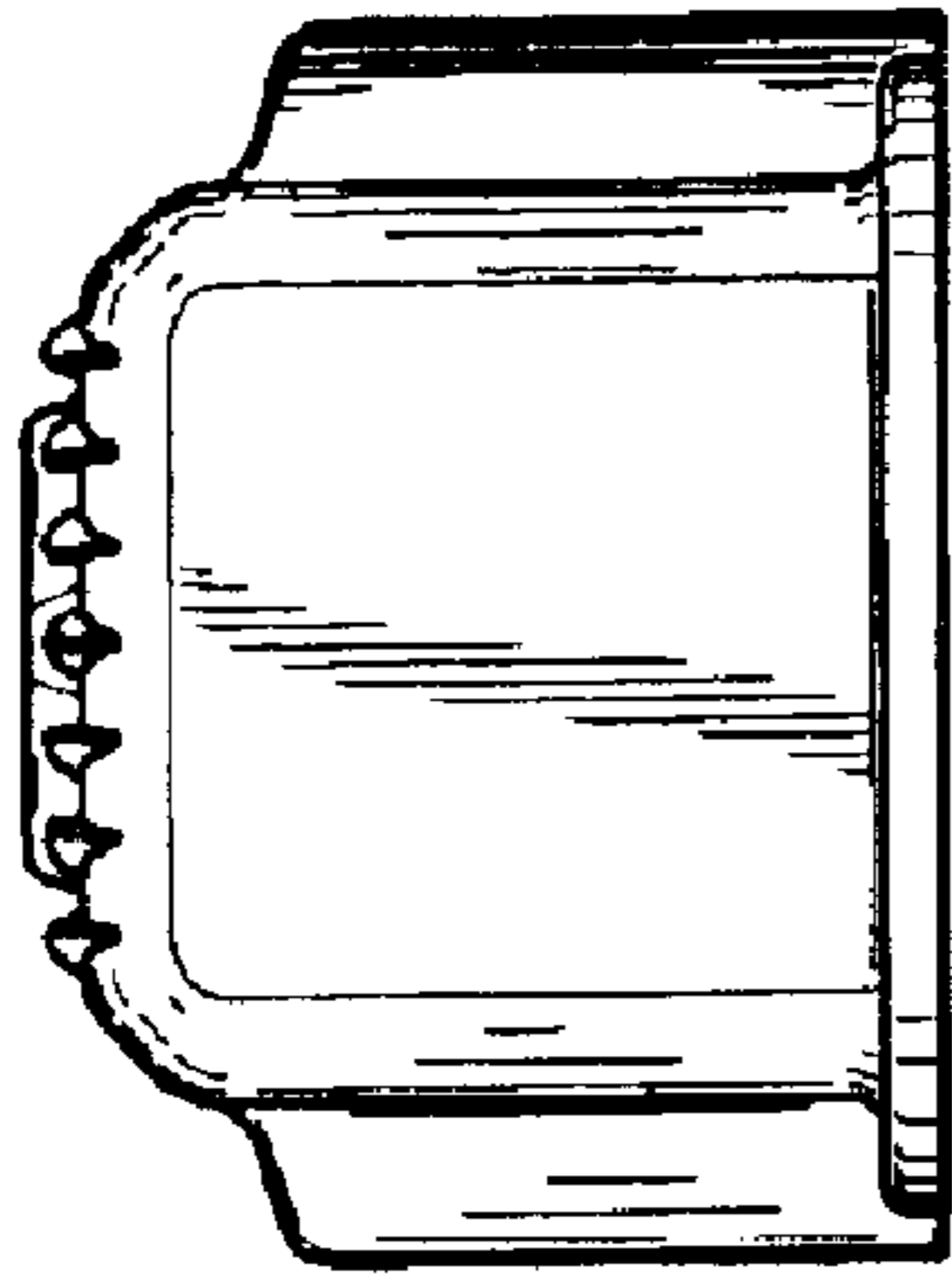


Fig. 3

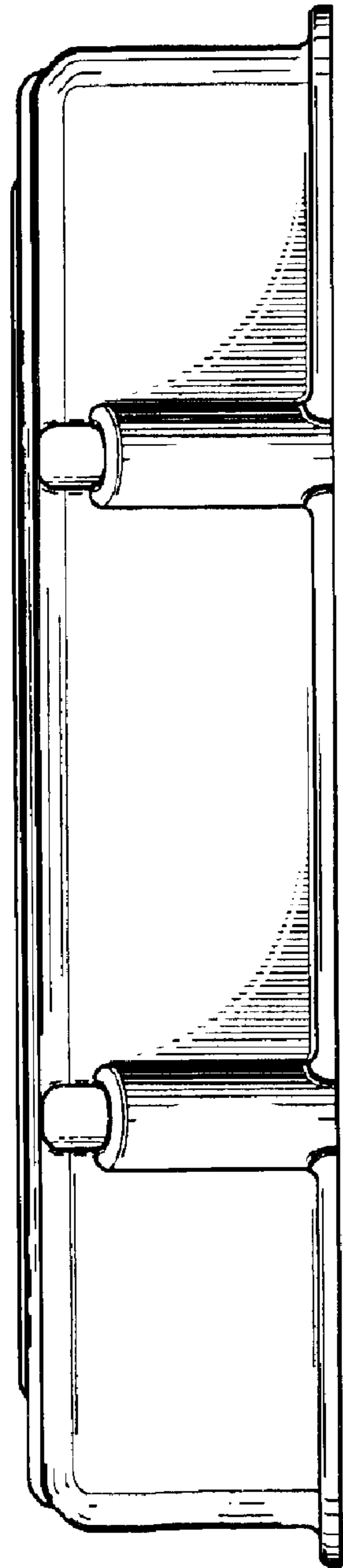


Fig. 2

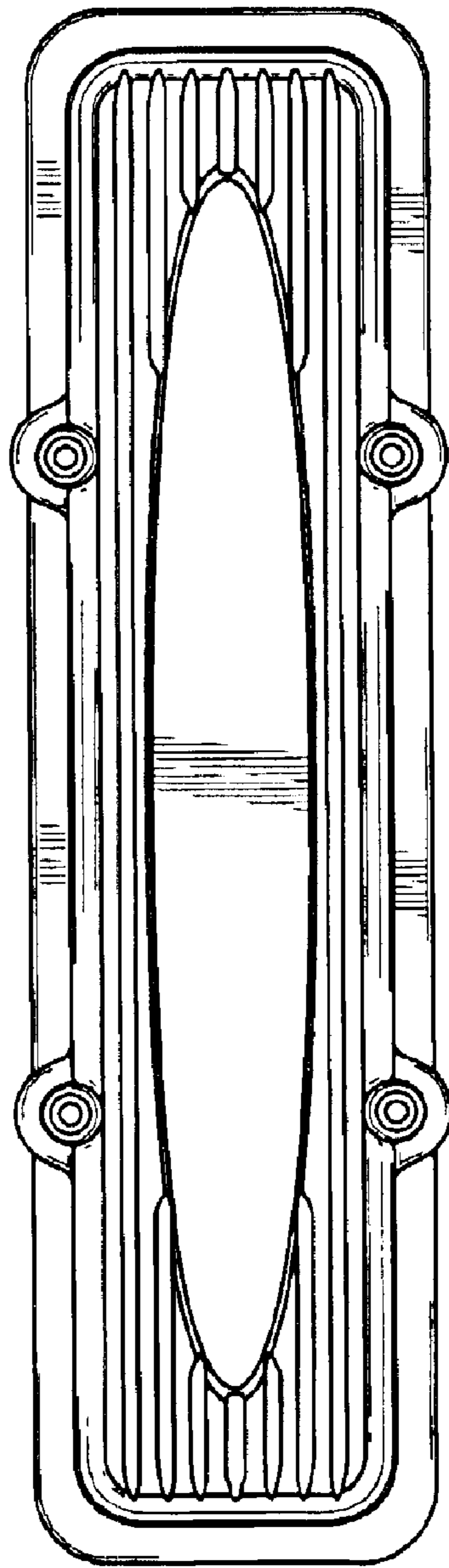


Fig. 4