

US00D503719S

(12) **United States Design Patent**  
**Lin**

(10) **Patent No.:** **US D503,719 S**  
(45) **Date of Patent:** **\*\* Apr. 5, 2005**

(54) **SUSPENSION ARM**

(76) **Inventor:** **Chin-Chih Lin**, 3F, No., 128,  
Cha-Zhuang 1st Street., Kuei Shan,  
Taoyuan Hsien (TW)

(\*\*) **Term:** **14 Years**

(21) **Appl. No.:** **29/204,776**

(22) **Filed:** **May 5, 2004**

(30) **Foreign Application Priority Data**

Mar. 30, 2004 (TW) ..... 93301790

(51) **LOC (7) Cl.** ..... **08-07**

(52) **U.S. Cl.** ..... **D14/452**

(58) **Field of Search** ..... D8/373, 363; D14/451-452;  
248/278.1, 284.1, 593, 586

(56) **References Cited**

**U.S. PATENT DOCUMENTS**

5,751,548 A \* 5/1998 Hall et al. .... 361/686  
6,095,467 A \* 8/2000 Neuhof ..... 248/278.1

D455,949 S \* 4/2002 Huang ..... D8/373  
6,478,275 B1 \* 11/2002 Huang ..... 248/284.1  
6,554,238 B1 \* 4/2003 Hibberd ..... 248/278.1

\* cited by examiner

*Primary Examiner*—Holly Baynham  
(74) *Attorney, Agent, or Firm*—Troxell Law Office PLLC

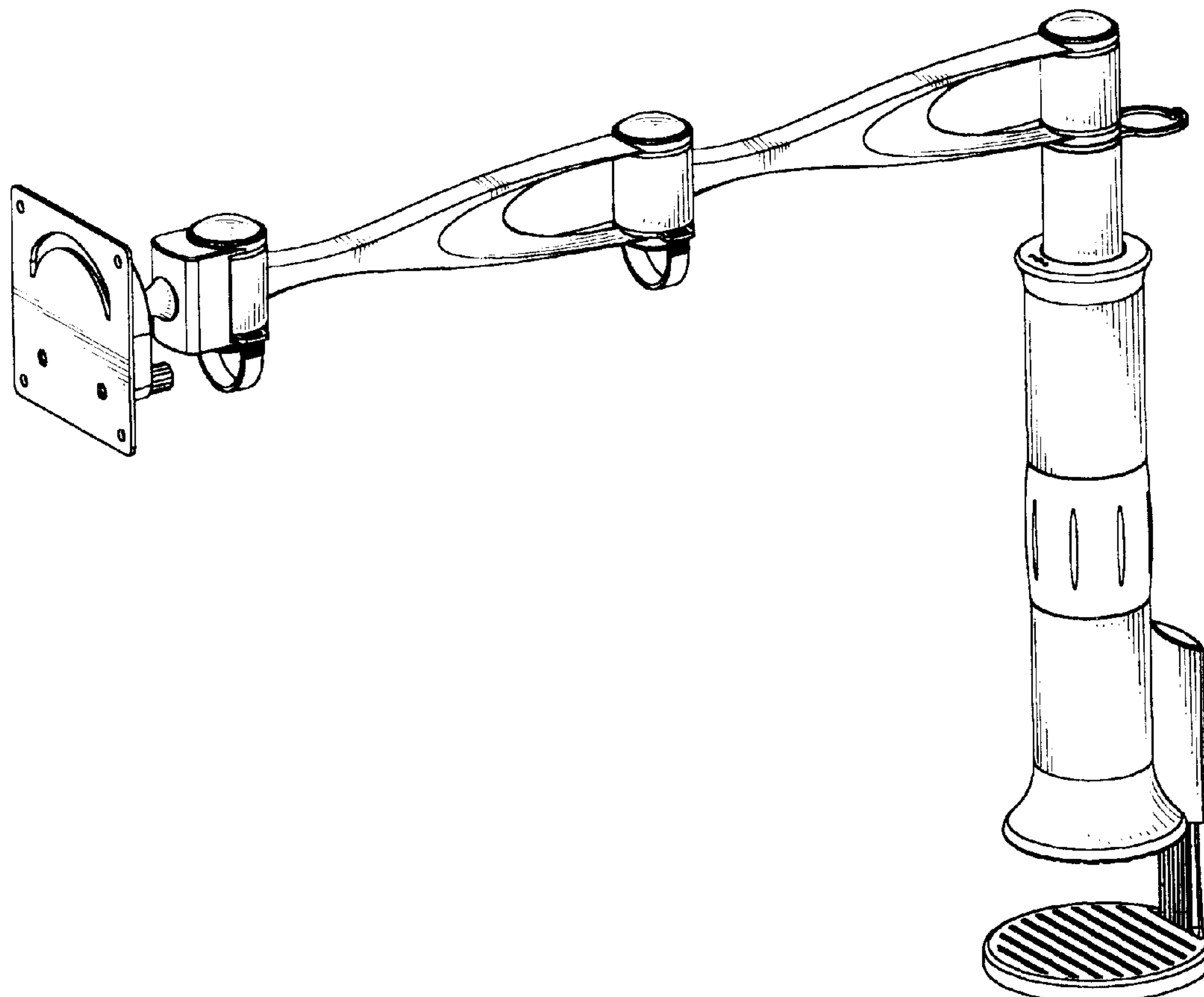
(57) **CLAIM**

The ornamental design for a suspension arm, as shown and described.

**DESCRIPTION**

FIG. 1 is a front elevational view of suspension arm showing my design;  
FIG. 2 is a left side view thereof;  
FIG. 3 is a top elevational view thereof;  
FIG. 4 is a rear elevational view thereof;  
FIG. 5 is a right side view thereof;  
FIG. 6 is a bottom elevational view thereof;  
FIG. 7 is a perspective view thereof; and,  
FIG. 8 is a perspective view in alternative position.

**1 Claim, 5 Drawing Sheets**



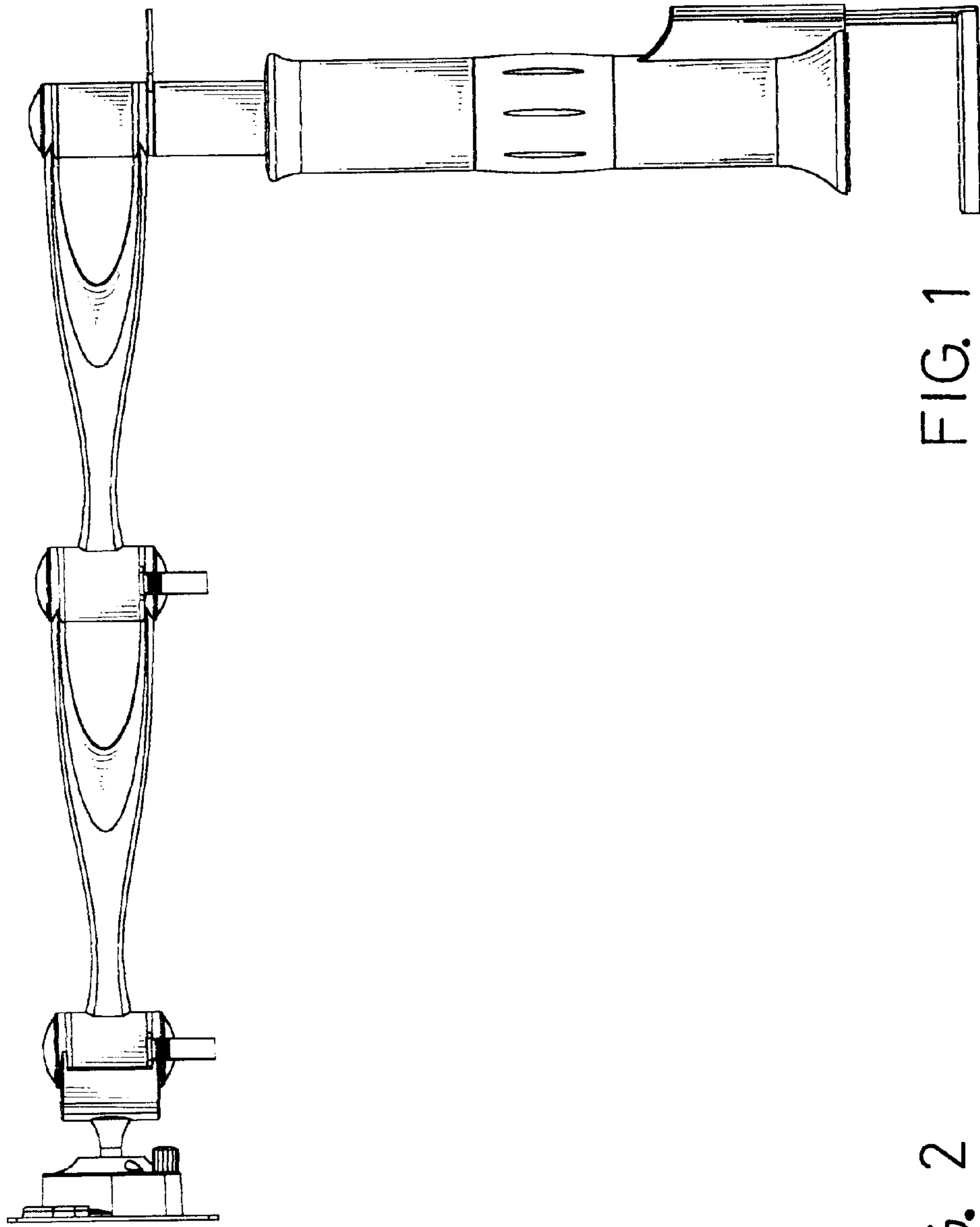


FIG. 1

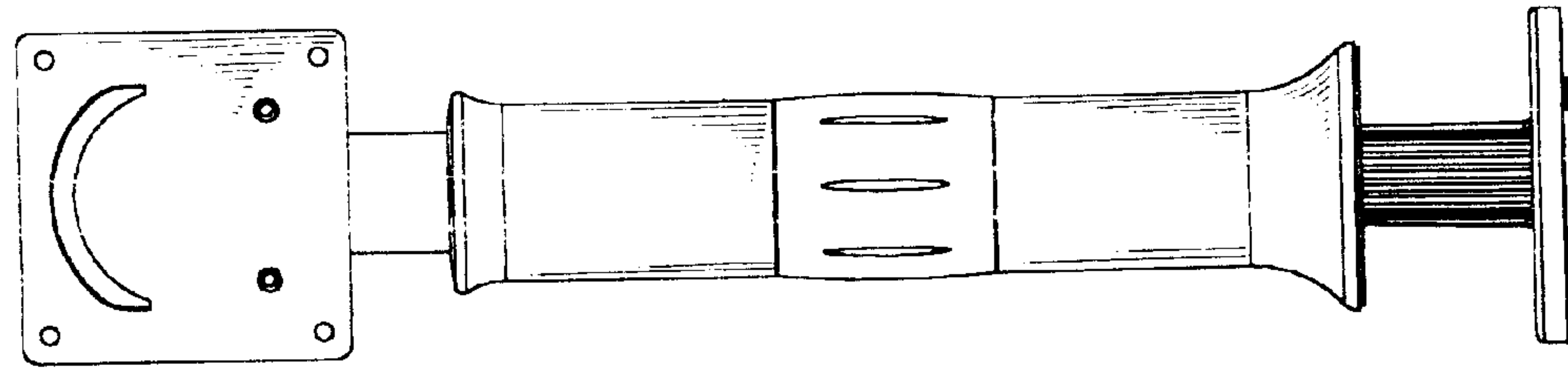


FIG. 2

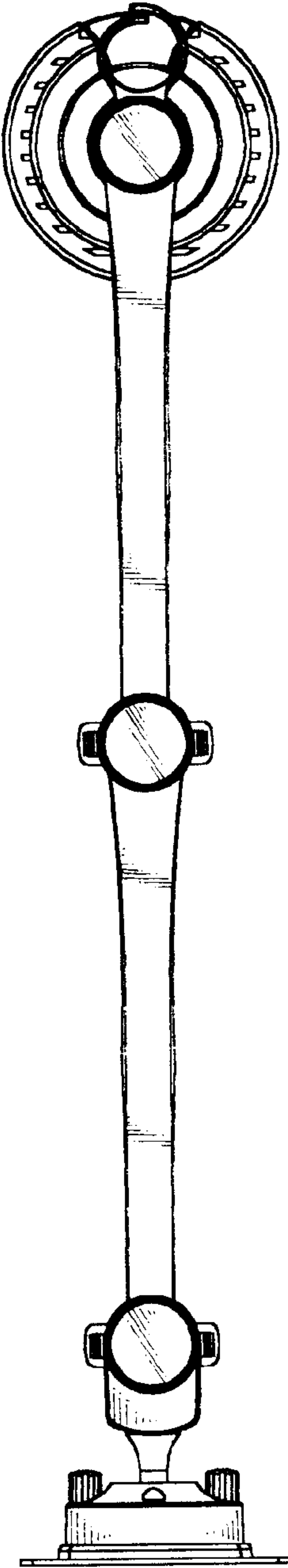


FIG. 3

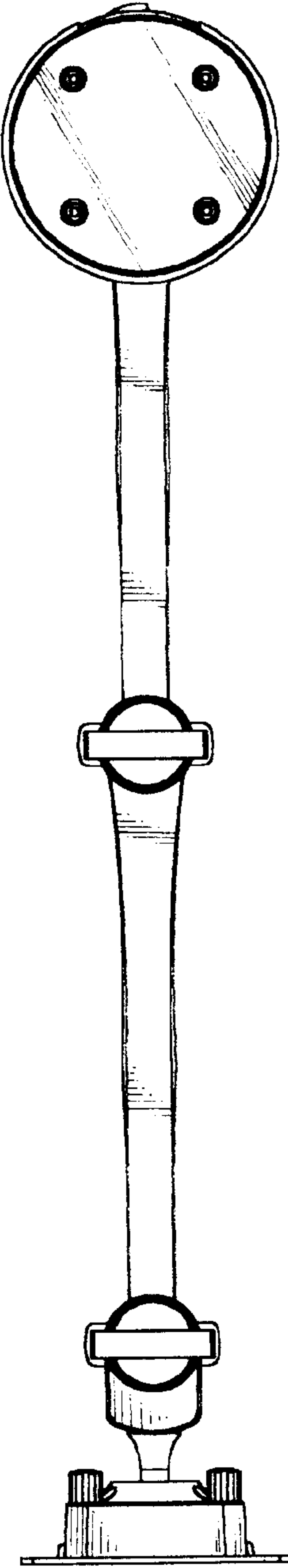


FIG. 6

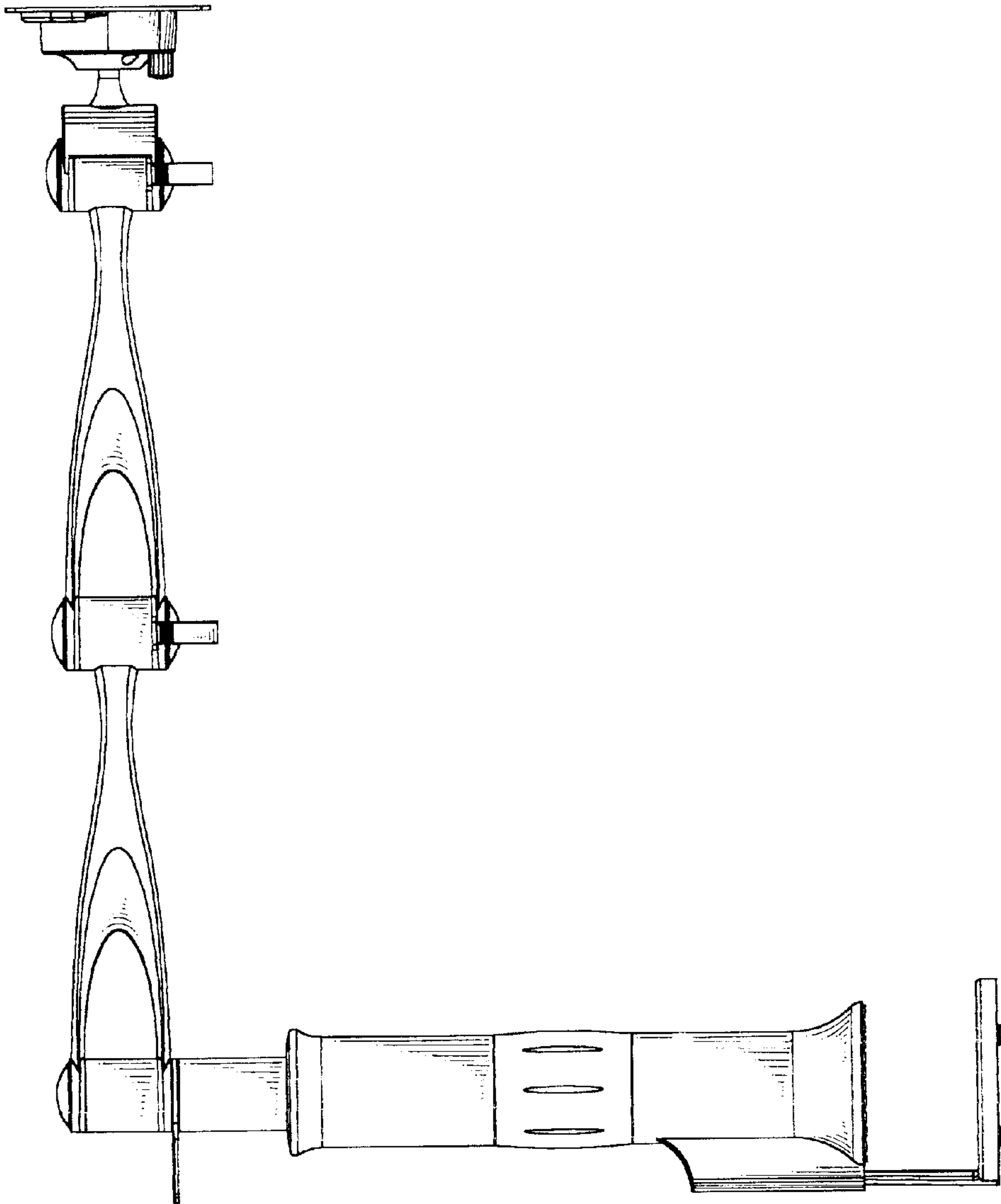


FIG. 4

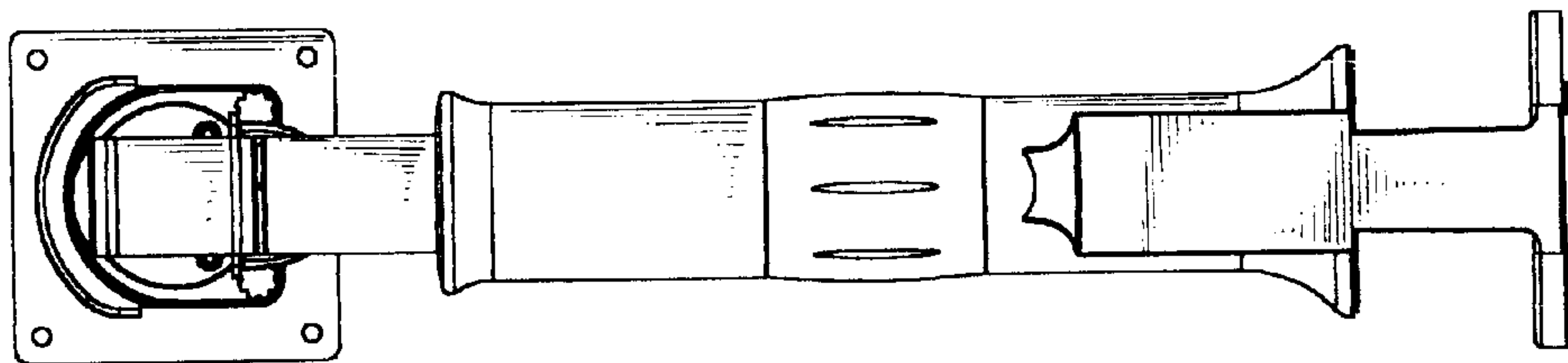


FIG. 5

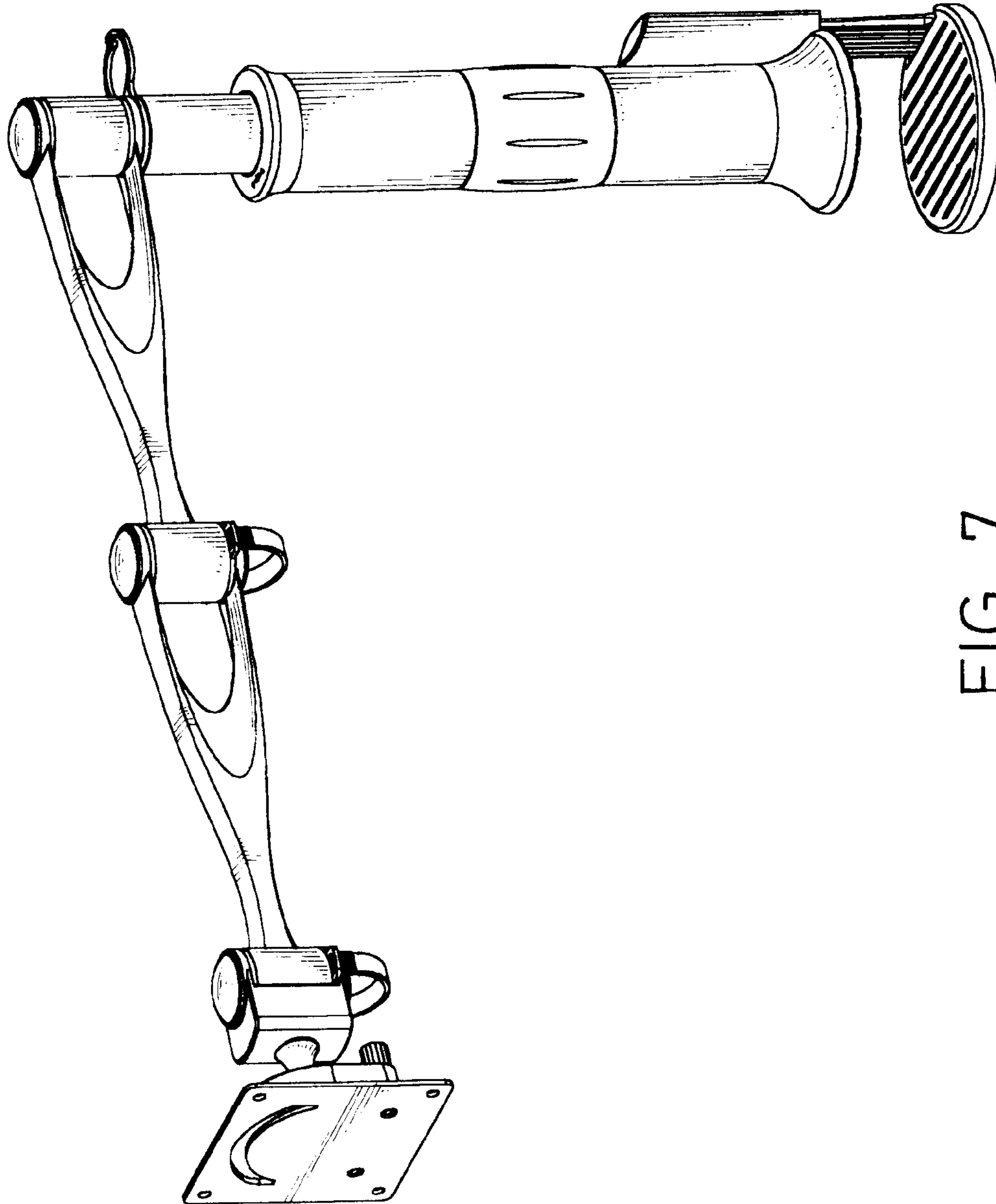


FIG. 7

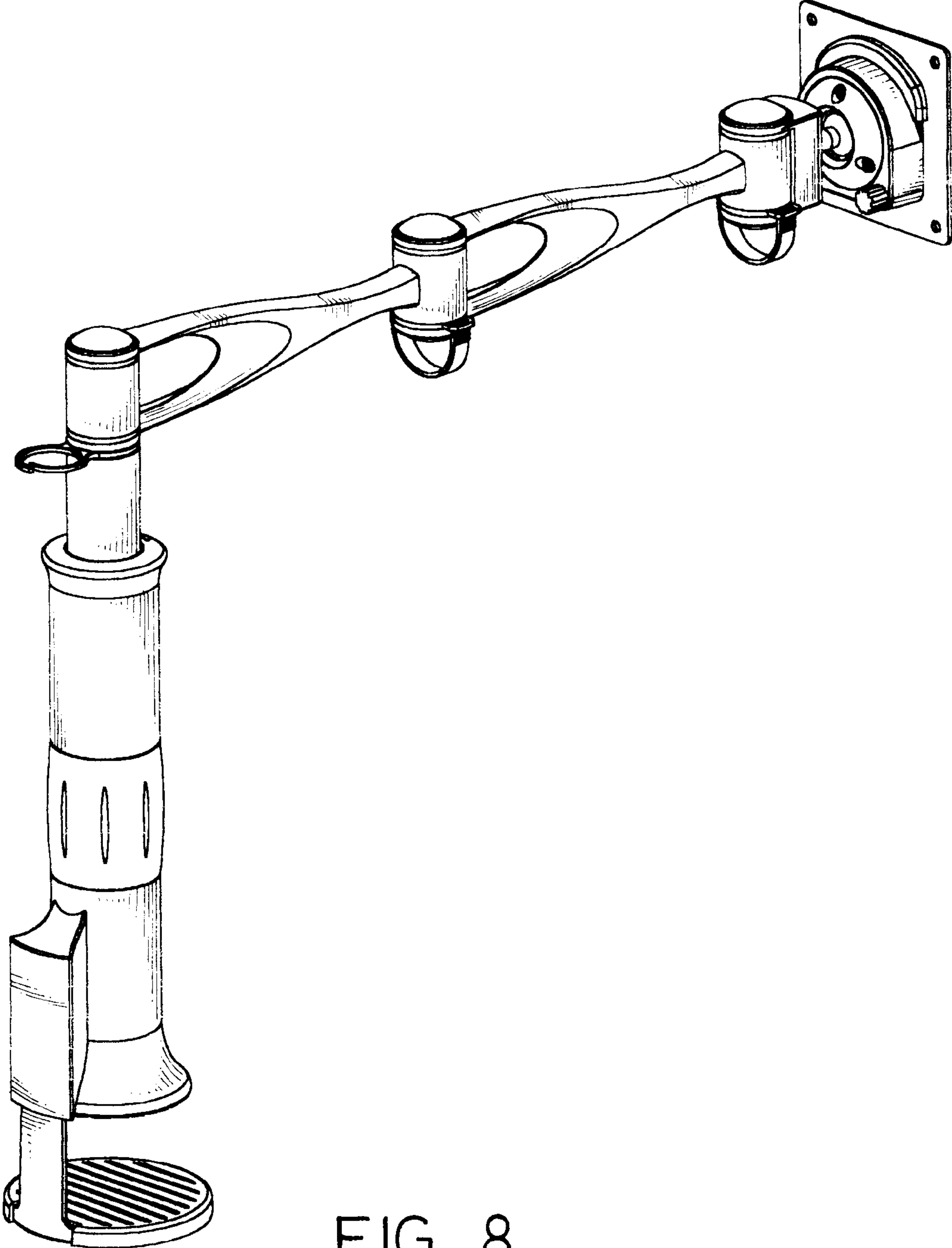


FIG. 8