

US00D503717S

(12) **United States Design Patent**
Kawamura

(10) **Patent No.:** **US D503,717 S**

(45) **Date of Patent:** **** Apr. 5, 2005**

(54) **ROTARY ENCODER**

(75) **Inventor:** **Takashi Kawamura, Iizuka (JP)**

(73) **Assignee:** **Mitsumi Electric Co., Ltd., Tokyo (JP)**

(**) **Term:** **14 Years**

(21) **Appl. No.:** **29/198,824**

(22) **Filed:** **Feb. 6, 2004**

(30) **Foreign Application Priority Data**

Nov. 28, 2003 (JP) 2003-035507

(51) **LOC (7) Cl.** **14-02**

(52) **U.S. Cl.** **D14/432**

(58) **Field of Search** D14/432; 341/11,
341/16, 15; 324/207.15, 207.17, 207.22,
207.25; 345/163; 33/1 PT; 200/11 R, 11 G

(56) **References Cited**

U.S. PATENT DOCUMENTS

5,510,781 A * 4/1996 de Buda et al. 341/11
5,786,593 A * 7/1998 Ohtomo et al. 250/231.14

6,275,173 B1 * 8/2001 Wu 341/13
6,392,168 B2 * 5/2002 Takahashi et al. 200/11 R
6,603,305 B2 * 8/2003 Uchiyama et al. 324/207.25
6,683,545 B2 * 1/2004 Strasser 341/16

* cited by examiner

Primary Examiner—M. H. Tung

(74) *Attorney, Agent, or Firm*—Sughrue Mion, PLLC

(57) **CLAIM**

The ornamental design for a rotary encoder, as shown.

DESCRIPTION

FIG. 1 is a perspective view of the top front and right side of a rotary encoder showing my new design;

FIG. 2 is a perspective view of the bottom, front and right side thereof;

FIG. 3 is a rear elevational view thereof;

FIG. 4 is a front elevational view thereof;

FIG. 5 is a left side elevational view thereof;

FIG. 6 is a right side elevational view thereof;

FIG. 7 is a top plan view thereof; and,

FIG. 8 is a bottom plan view thereof.

1 Claim, 6 Drawing Sheets

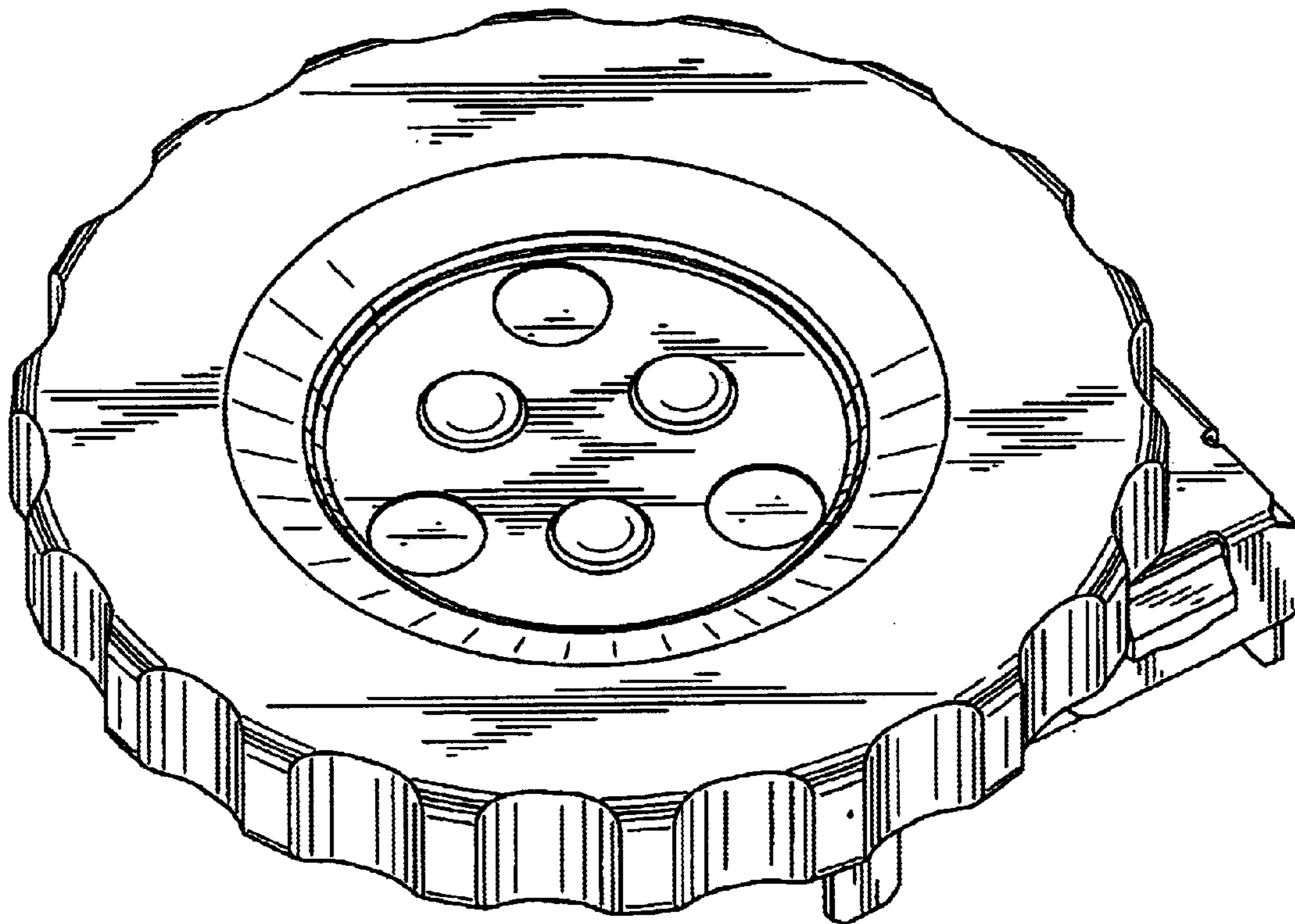


FIG. 1

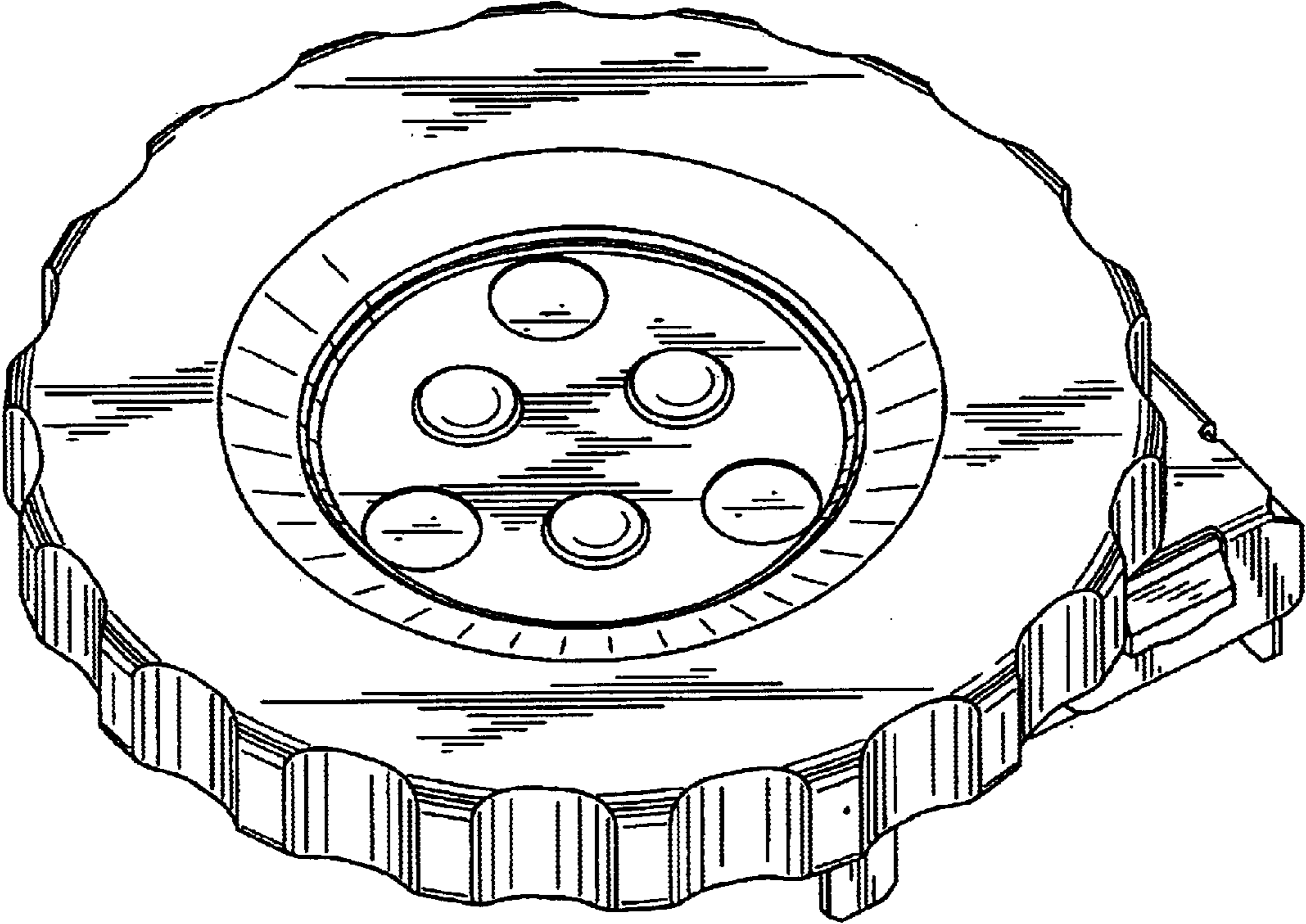


FIG. 2

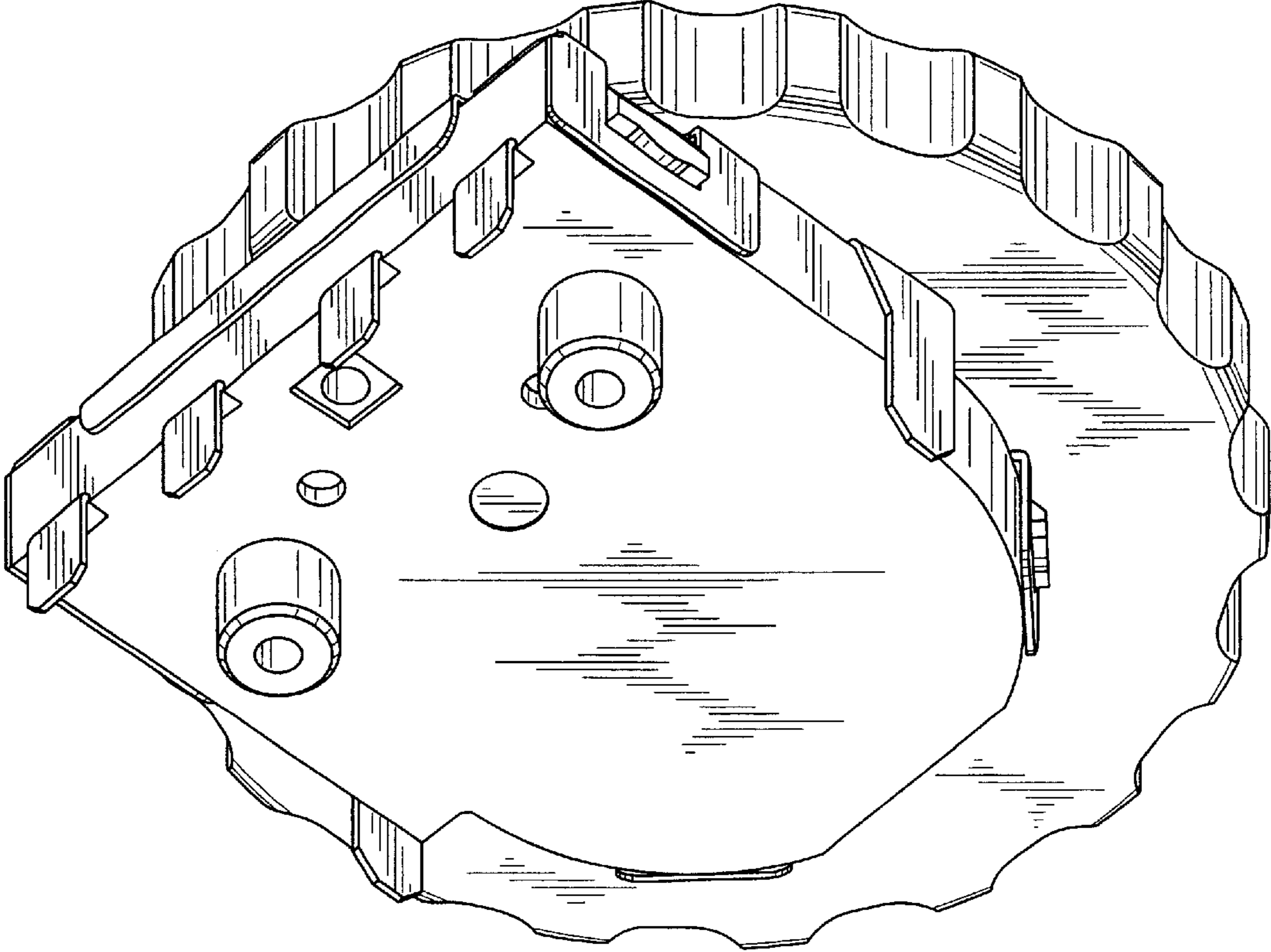


FIG. 3

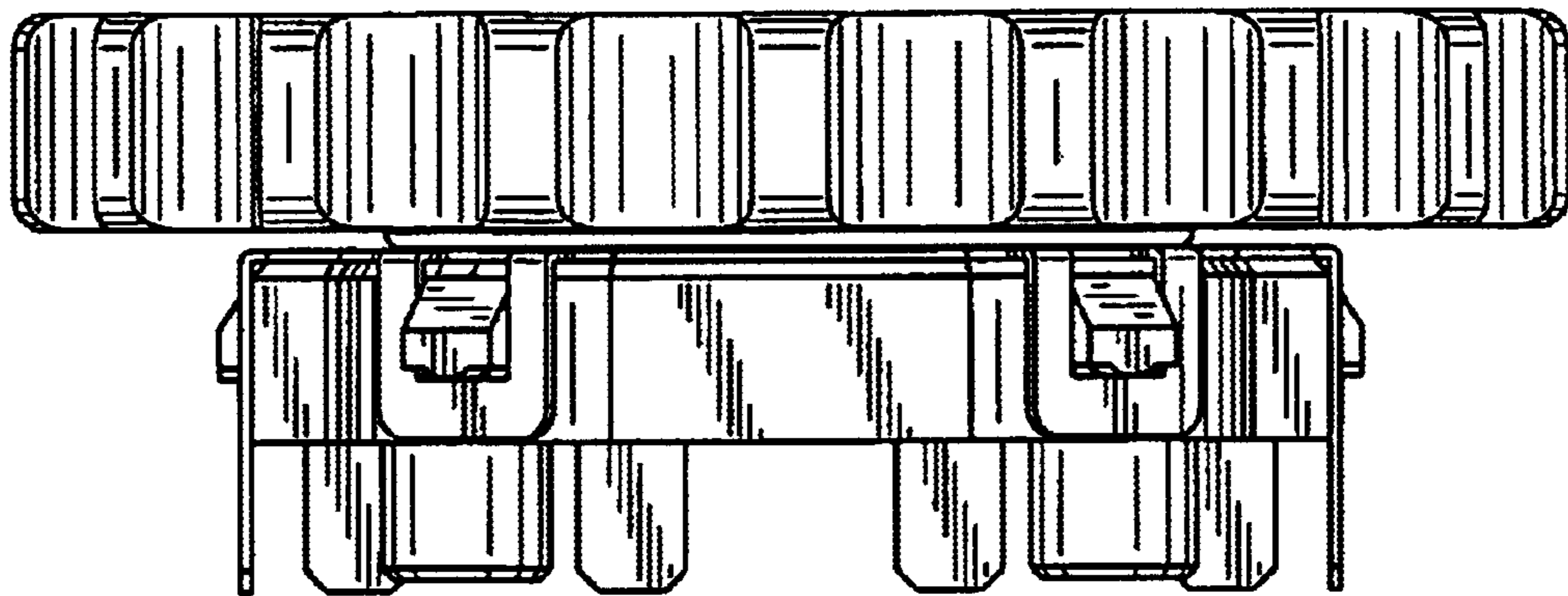


FIG. 4

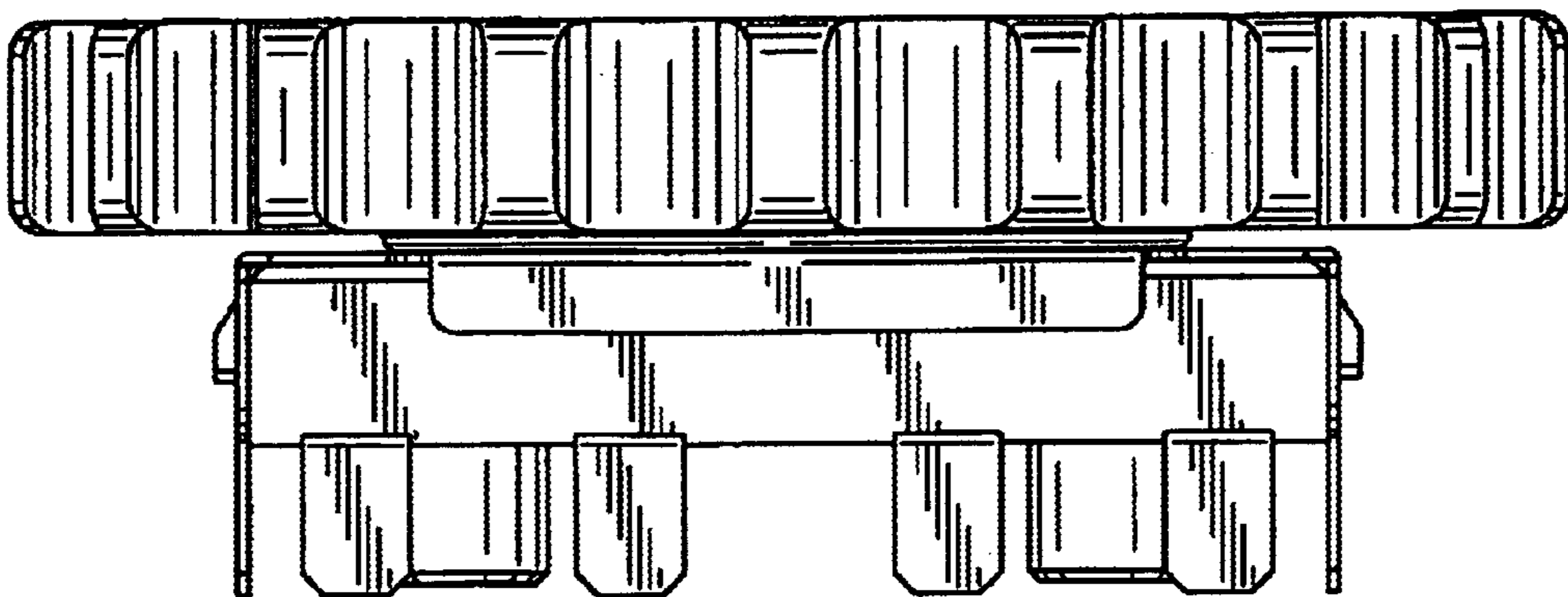


FIG. 5

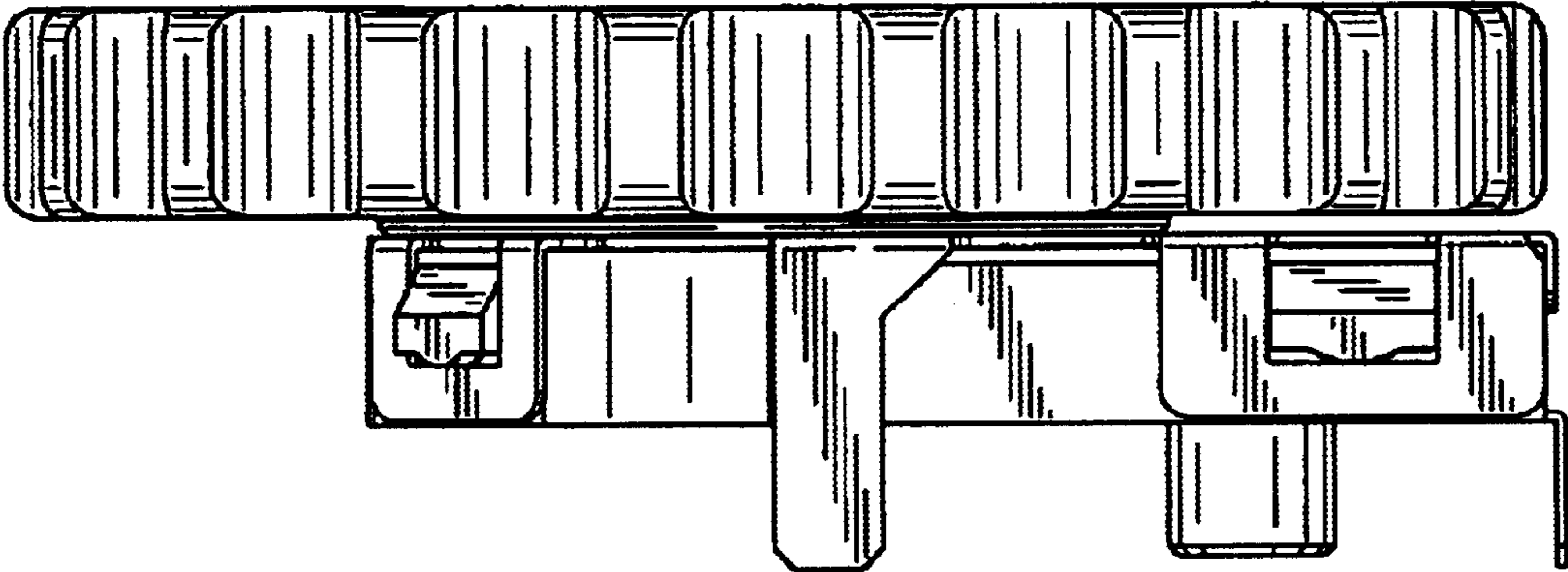


FIG. 6

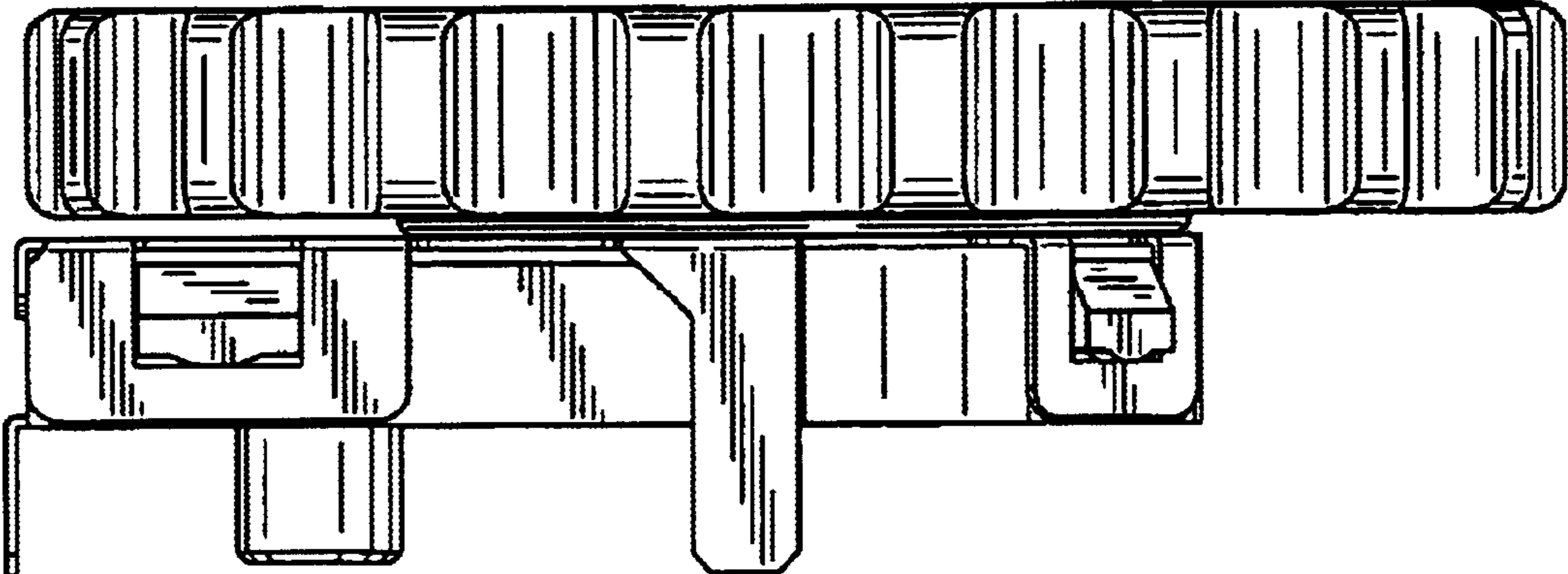


FIG. 7

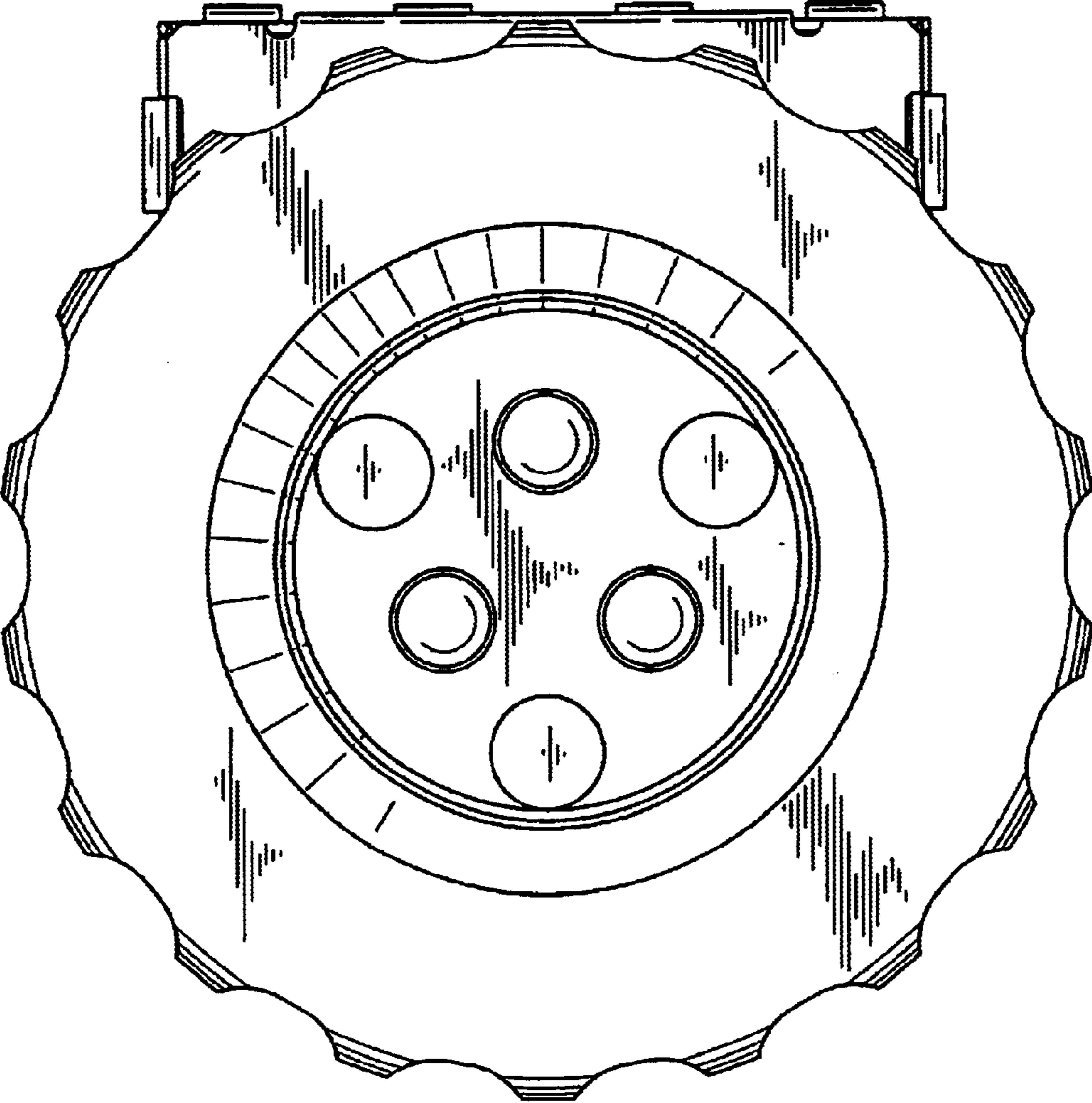


FIG. 8

