

US00D503707S

(12) **United States Design Patent**
Boyer, Jr.

(10) **Patent No.:** **US D503,707 S**
(45) **Date of Patent:** **** Apr. 5, 2005**

(54) **VIDEO VIEWER SUPPORT**

(75) Inventor: **William J. Boyer, Jr.**, Lakewood, WA (US)
(73) Assignee: **Aircraft Protective Systems, Inc.**, Tacoma, WA (US)
(**) Term: **14 Years**

(21) Appl. No.: **29/189,579**
(22) Filed: **Sep. 8, 2003**

(51) **LOC (7) Cl.** **14-03**
(52) **U.S. Cl.** **D14/239**
(58) **Field of Search** D14/125-136, D14/239, 371, 374-375; 312/7.2; 348/836, 838, 180, 184, 325, 739; 345/905, 104, 133, 168, 87, 173; 248/917-924; 341/12; 40/745, 748, 753-754; D6/311; D11/132

(56) **References Cited**

U.S. PATENT DOCUMENTS

2,647,834	A	*	8/1953	Rabkin et al.	40/754
D255,745	S	*	7/1980	Pedersen	40/753
D282,024	S	*	1/1986	Muranen	D6/311
5,068,987	A	*	12/1991	Tontarelli	40/753
D323,324	S	*	1/1992	Suda	D14/375
D388,077	S	*	12/1997	Starck	D11/132
D415,147	S	*	10/1999	Adachi	D14/126
D438,849	S	*	3/2001	Adachi et al.	D14/126
D458,910	S	*	6/2002	Kita	D14/126

D475,984 S * 6/2003 Chen et al. D14/126

* cited by examiner

Primary Examiner—Raphael Barkai
(74) *Attorney, Agent, or Firm*—George C. Rondeau, Jr.; Davis Wright Tremaine LLP

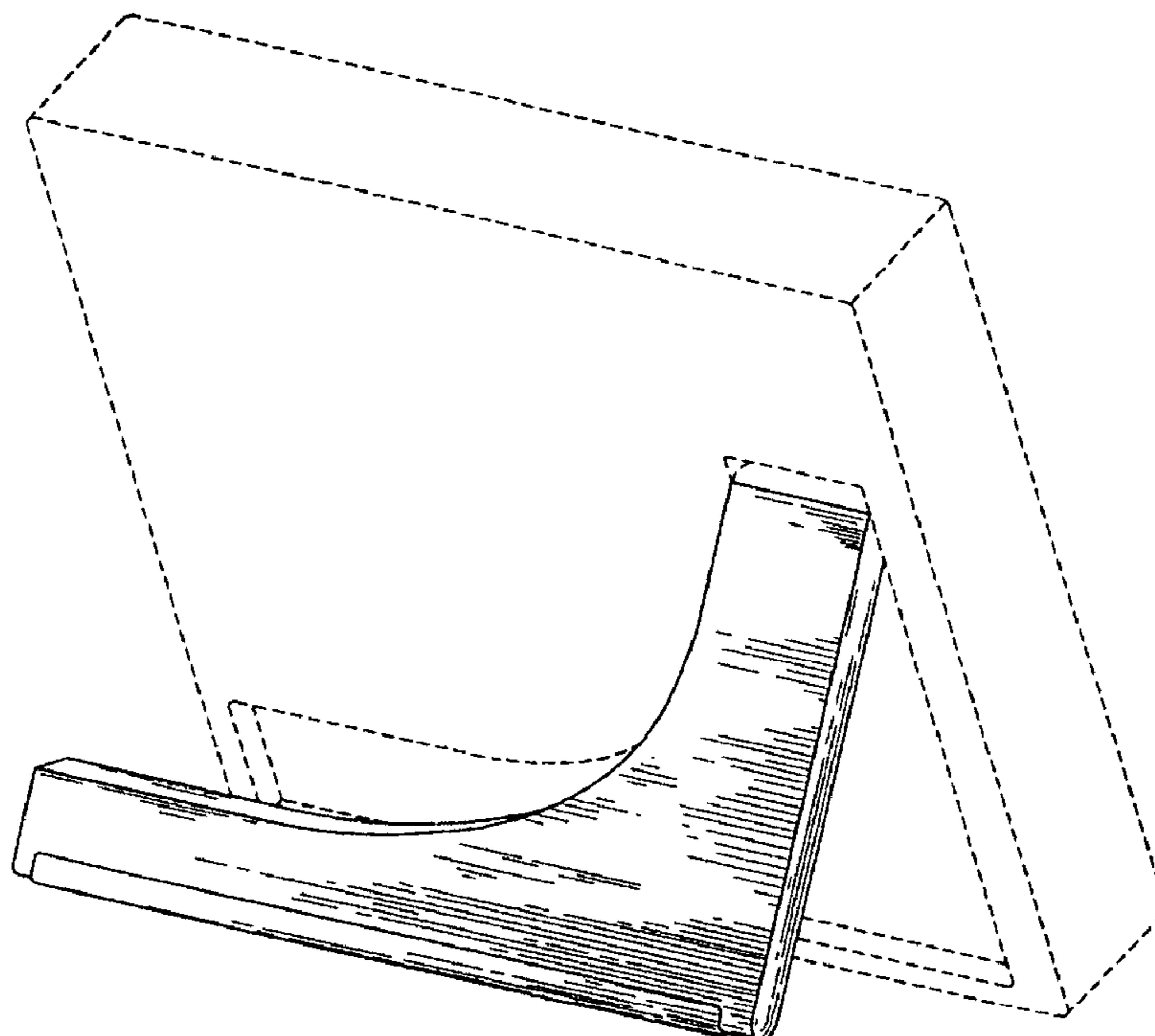
(57) **CLAIM**

The ornamental design for a video viewer support, as shown and described.

DESCRIPTION

FIG. 1 is a right side, rear perspective view of a video viewer support showing my new design.
FIG. 2 is a left side, rear perspective view thereof.
FIG. 3 is a front elevational view thereof.
FIG. 4 is a left side elevational view thereof.
FIG. 5 is a right side elevational view thereof.
FIG. 6 is a top plan view thereof.
FIG. 7 is a bottom plan view thereof.
FIG. 8 is a right side, rear perspective view of a second embodiment thereof.
FIG. 9 is a left side, rear perspective view thereof.
FIG. 10 is a front elevational view thereof.
FIG. 11 is a left side elevational view thereof.
FIG. 12 is a right side elevational view thereof.
FIG. 13 is a top plan view thereof; and,
FIG. 14 is a bottom plan view thereof.
The broken lines are for illustrative purposes only and form no part of the claimed design.

1 Claim, 10 Drawing Sheets



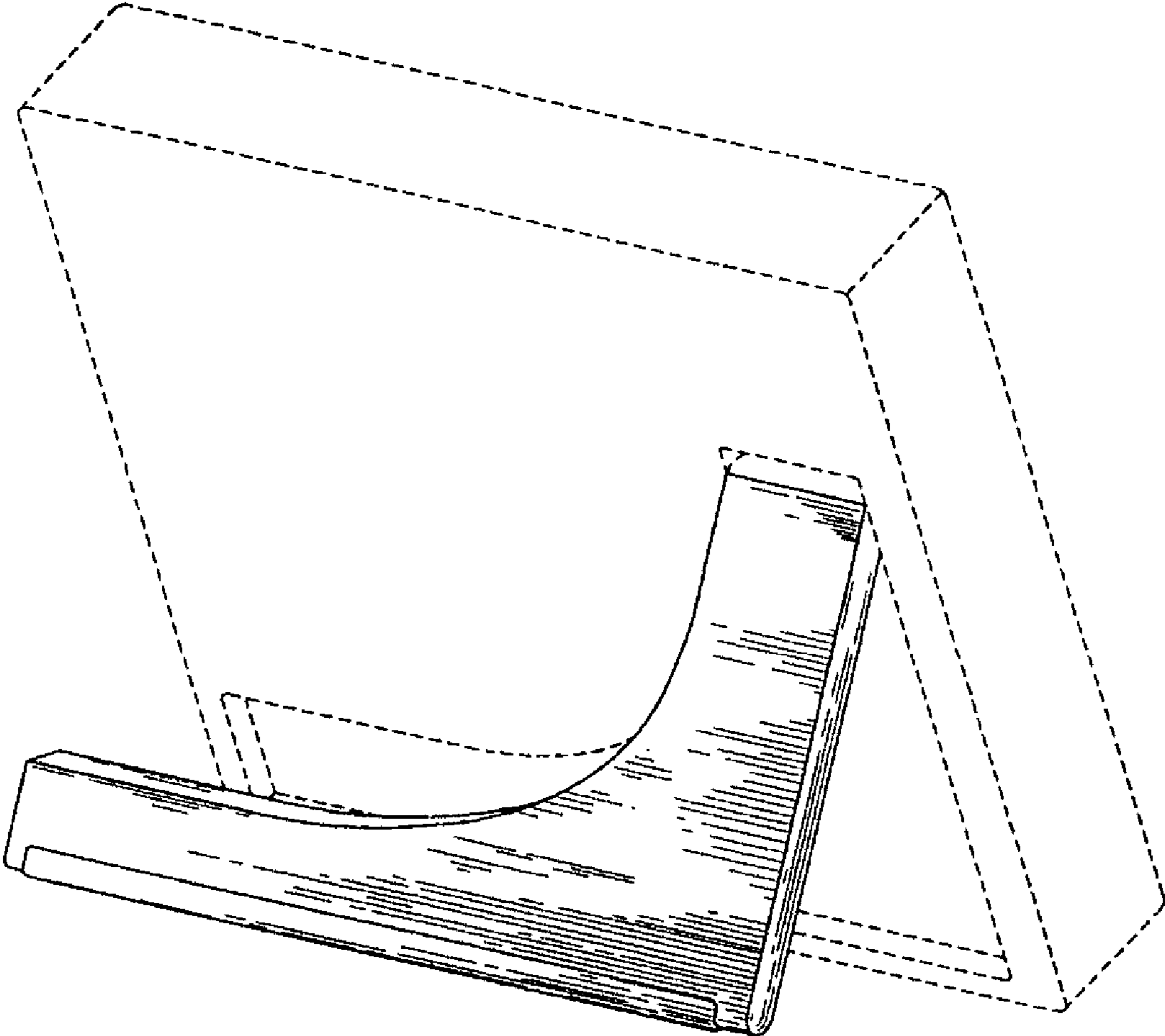


Fig. 1

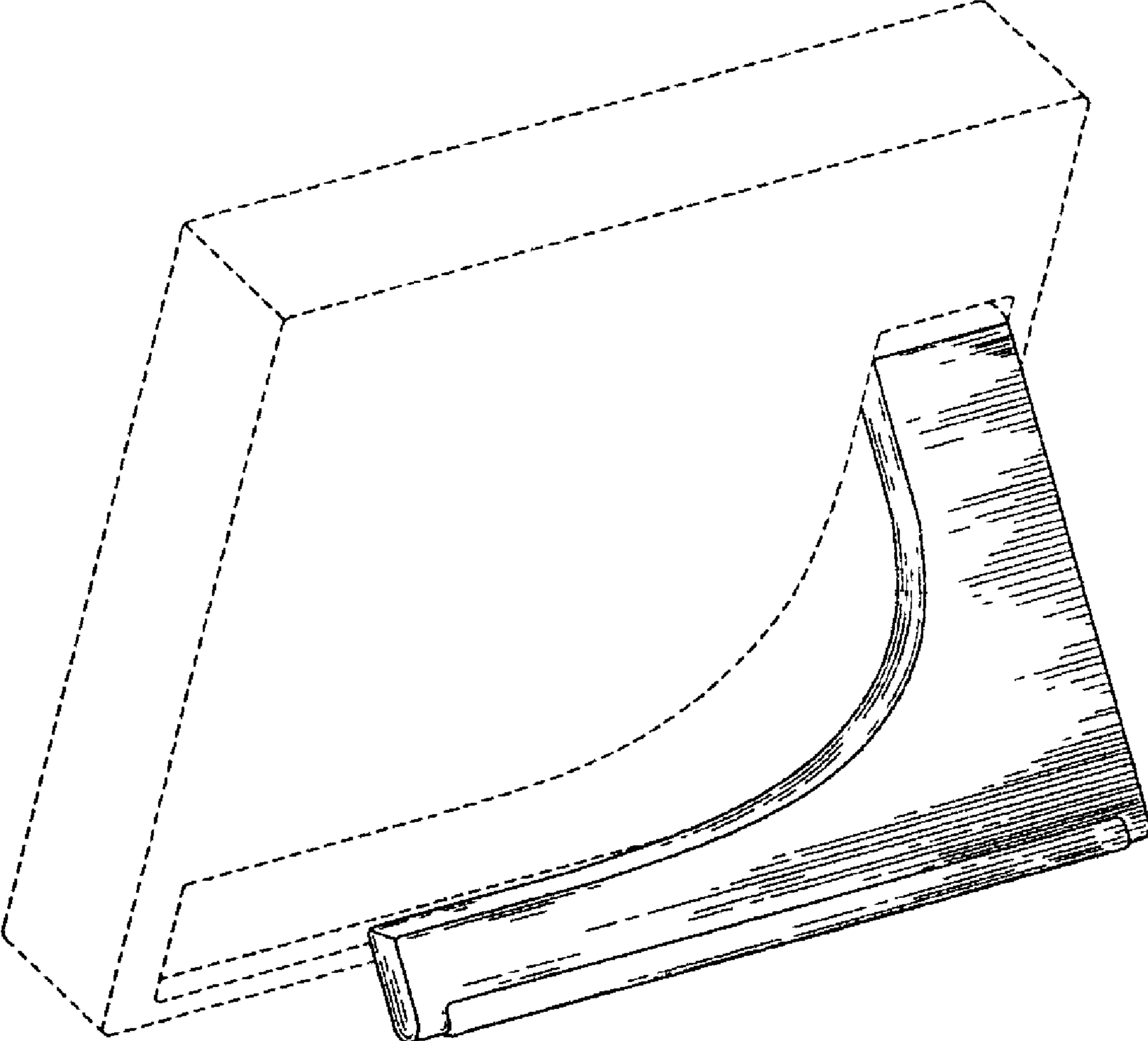


Fig. 2

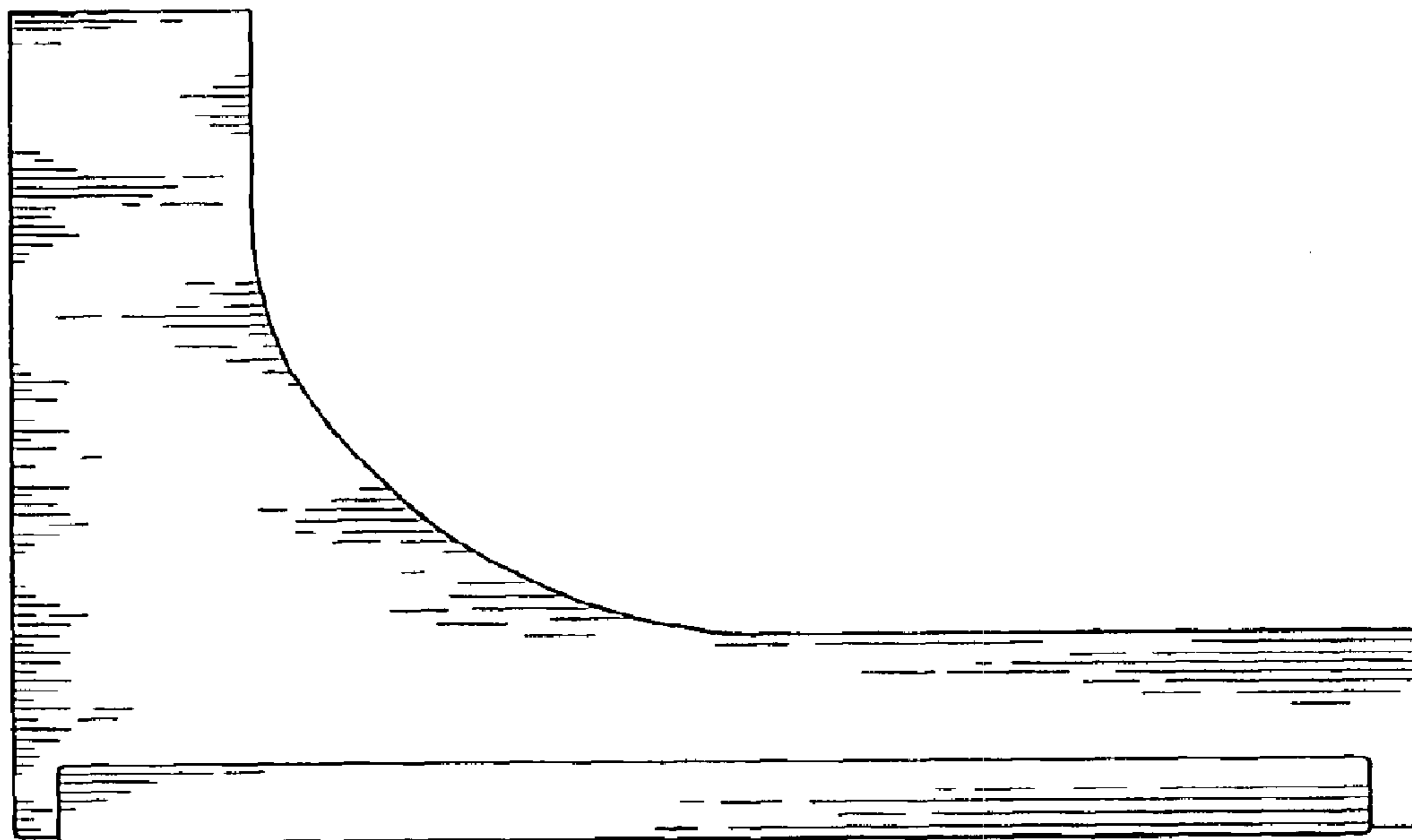


Fig. 3



Fig. 4



Fig. 5

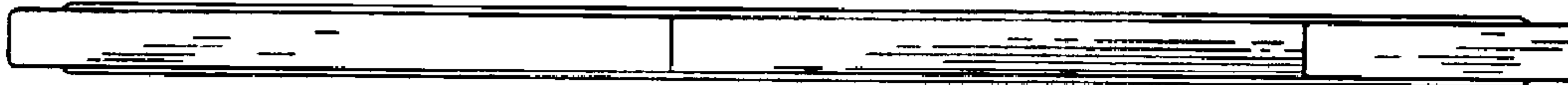


Fig. 6

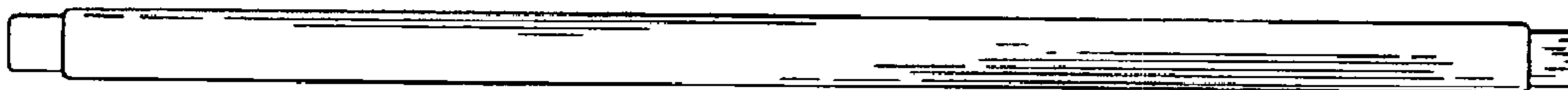


Fig. 7

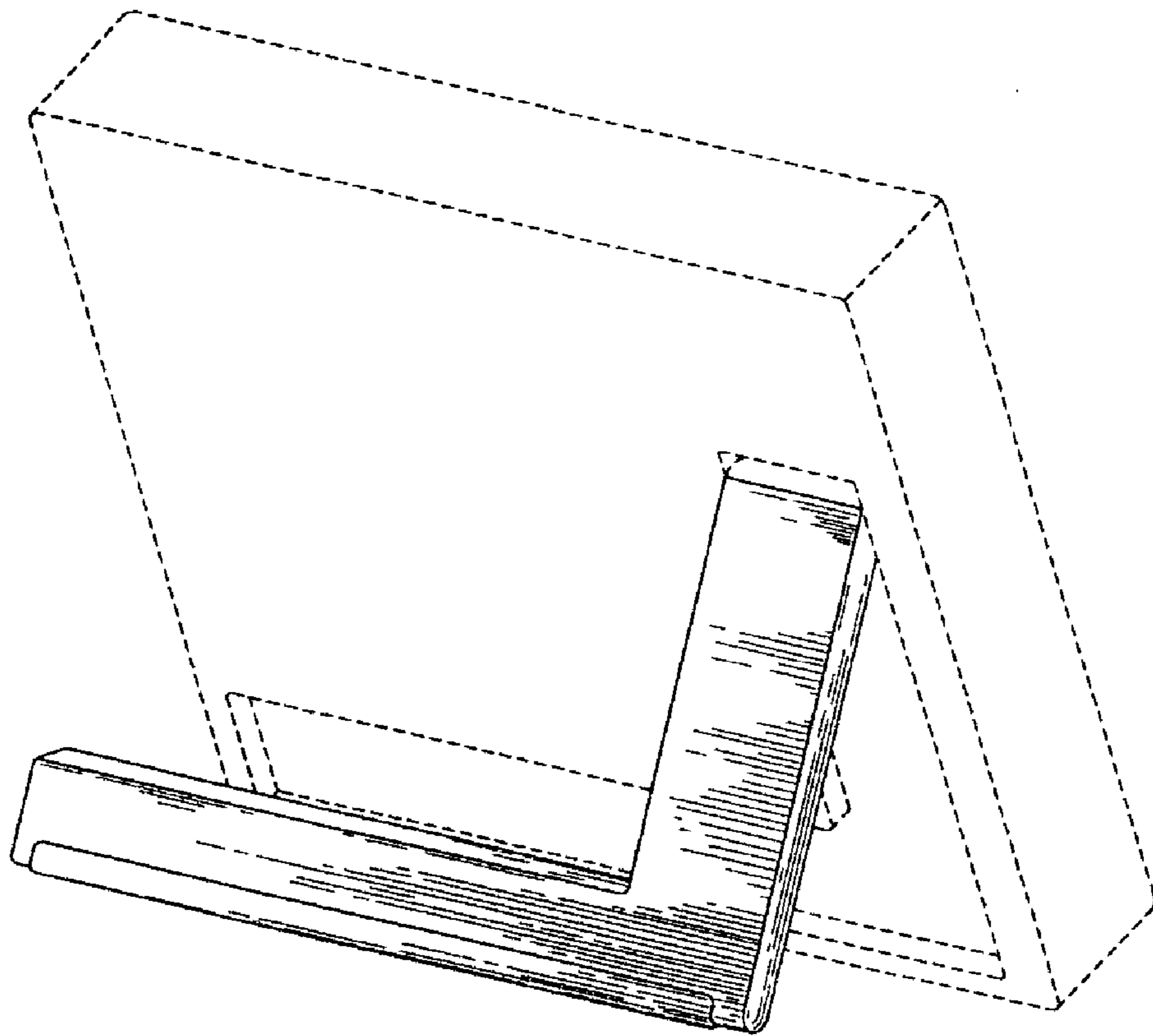


Fig. 8

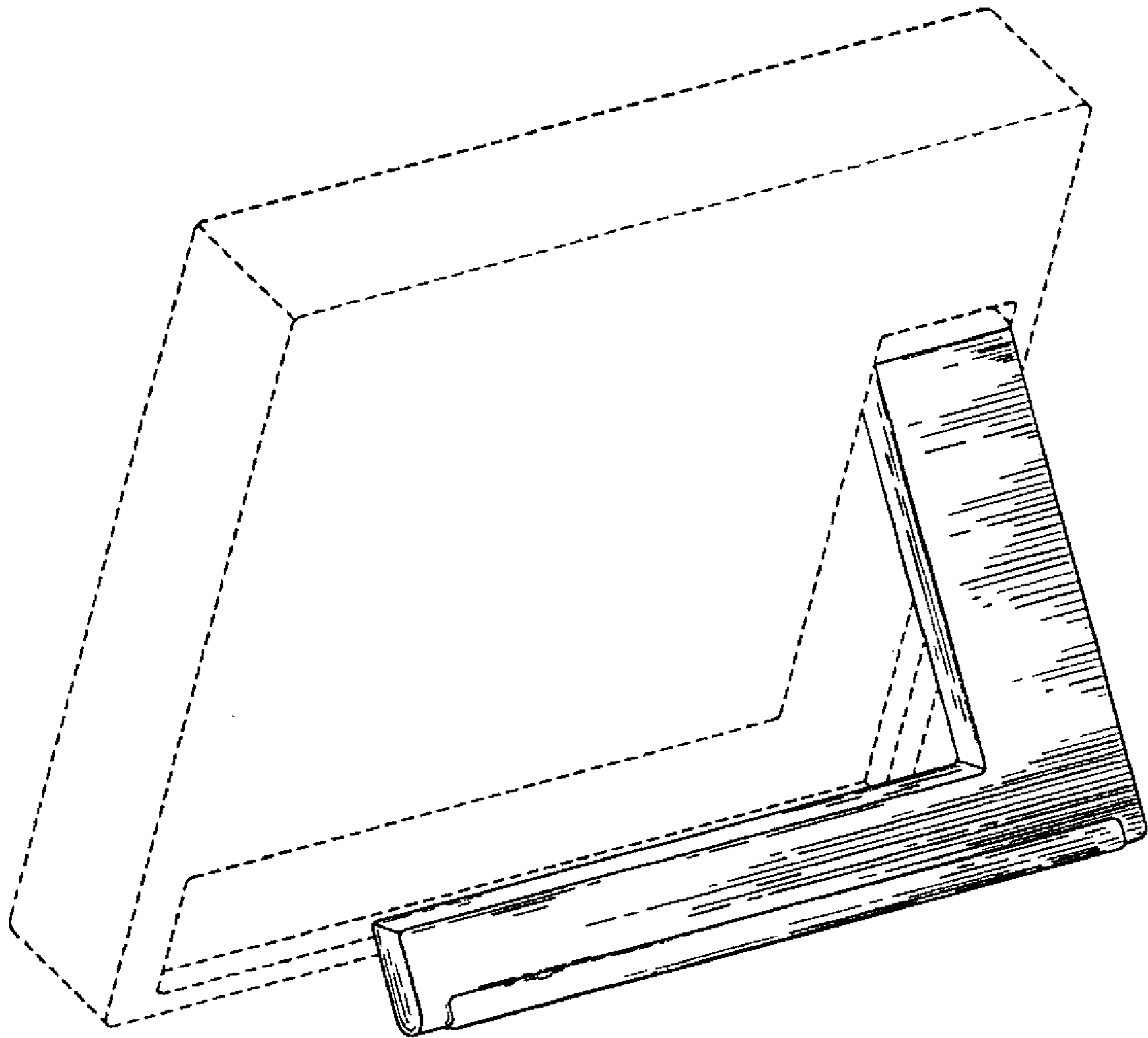


Fig. 9



Fig. 10

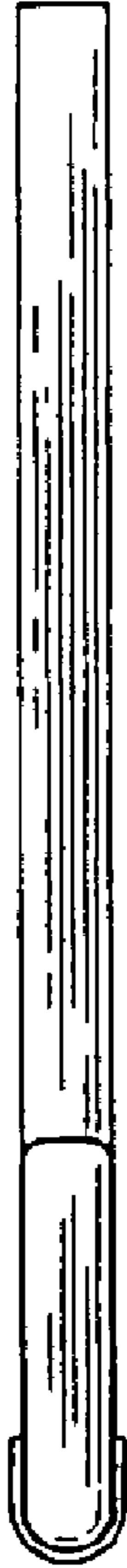


Fig. 11



Fig. 12



Fig. 13



Fig. 14