



US00D503706S

(12) **United States Design Patent**  
**Griffin**

(10) **Patent No.:** **US D503,706 S**

(45) **Date of Patent:** **\*\* Apr. 5, 2005**

(54) **VIDEO PLAYER ADAPTER FOR PORTABLE HANDHELD DEVICES**

(76) **Inventor:** **Darrell R. Griffin**, 15030 Ventura Blvd., Ste 22-904, Sherman Oaks, CA (US) 91403

(\*\*) **Term:** **14 Years**

(21) **Appl. No.:** **29/186,710**

(22) **Filed:** **Jul. 22, 2003**

(51) **LOC (7) Cl.** ..... **14-03**

(52) **U.S. Cl.** ..... **D14/239; D14/329**

(58) **Field of Search** ..... D14/239, 125-136, D14/253, 149, 133, 144, 401, 426, 432, 439, 454; D13/108, 133, 144, 123, 199; 273/148 B; 312/7.2; 360/94; 439/505; 709/206; D21/329, 324, 333, 331

(56) **References Cited**

**U.S. PATENT DOCUMENTS**

D346,583 S	*	5/1994	Mohri	.....	D13/108
D354,961 S	*	1/1995	Richards et al.	.....	D14/253
D362,004 S	*	9/1995	Nakano et al.	.....	D14/149
5,504,634 A	*	4/1996	Chen	.....	360/94

D384,642 S	*	10/1997	Miyahara	.....	D13/133
D404,037 S	*	1/1999	Gomez et al.	.....	D13/144
D424,573 S	*	5/2000	Maloney et al.	.....	D14/253
6,216,927 B1	*	4/2001	Meritt	.....	273/148 B
6,231,379 B1	*	5/2001	Shen	.....	439/505
6,564,248 B1	*	5/2003	Budge et al.	.....	709/206
D476,376 S	*	6/2003	Wintersteiger	.....	D21/329
6,717,569 B1	*	4/2004	Gruhl et al.	.....	345/157

\* cited by examiner

*Primary Examiner*—Raphael Barkai

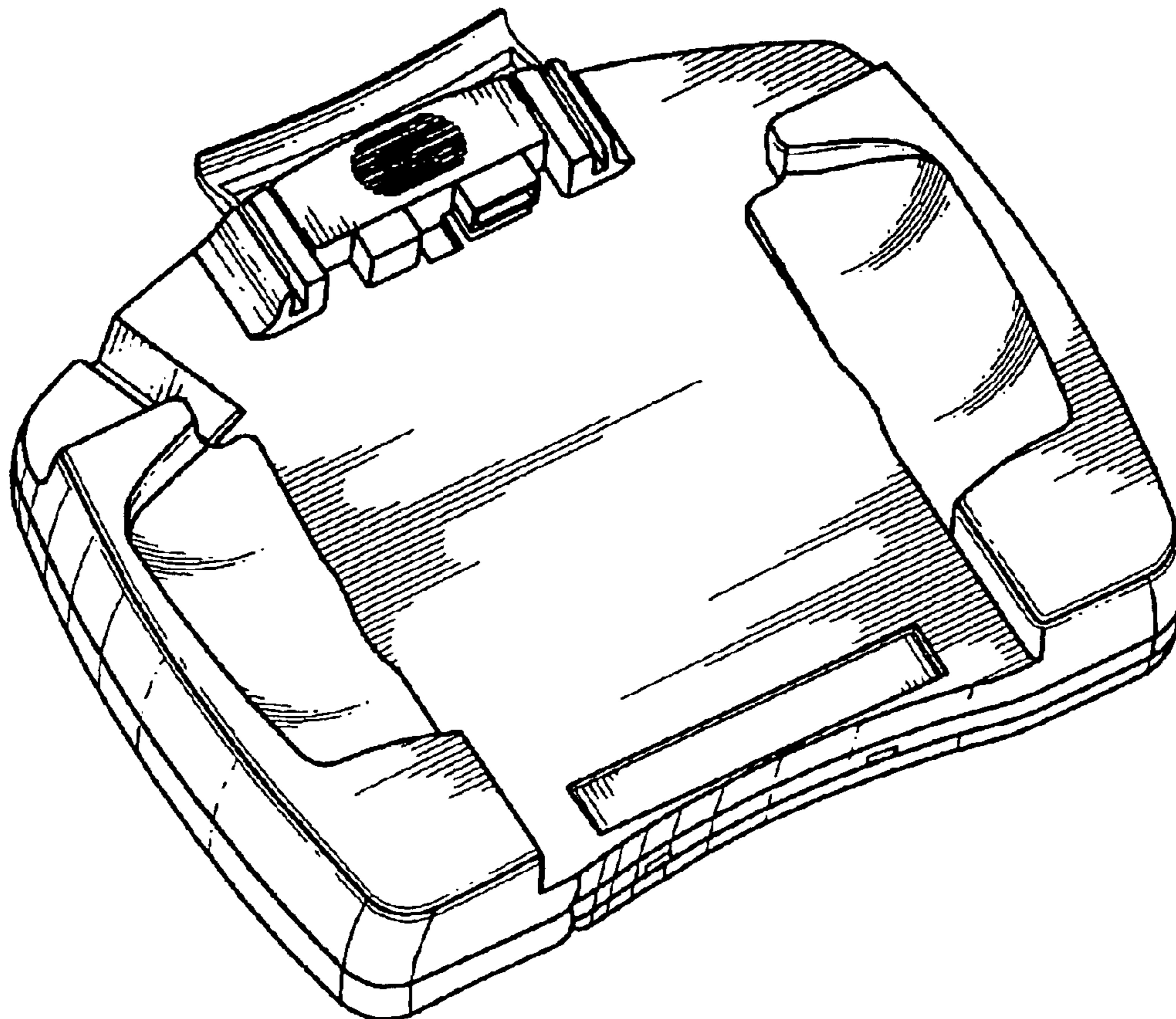
(57) **CLAIM**

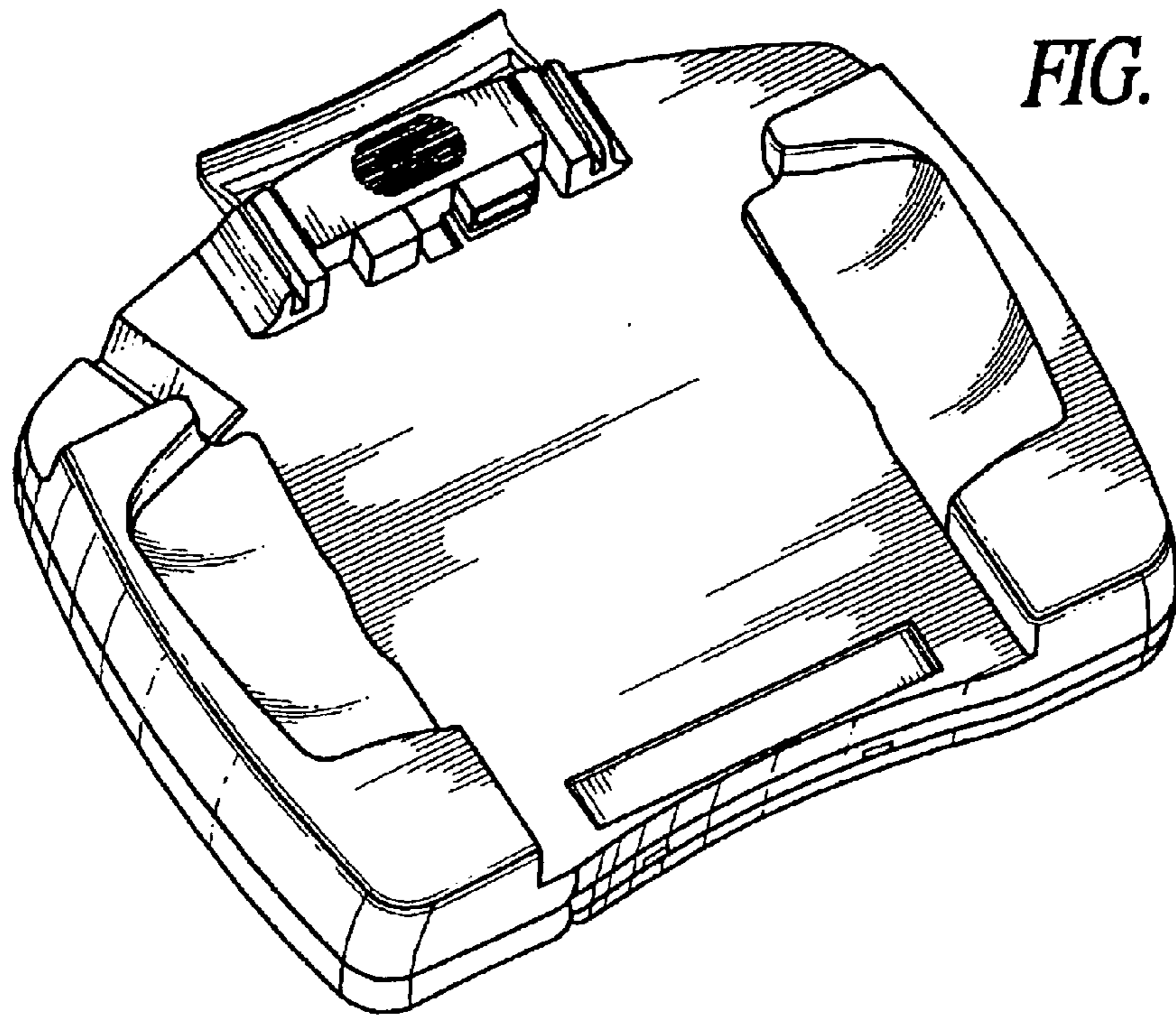
The ornamental design for a video player adapter for portable handheld devices, substantially as shown and described.

**DESCRIPTION**

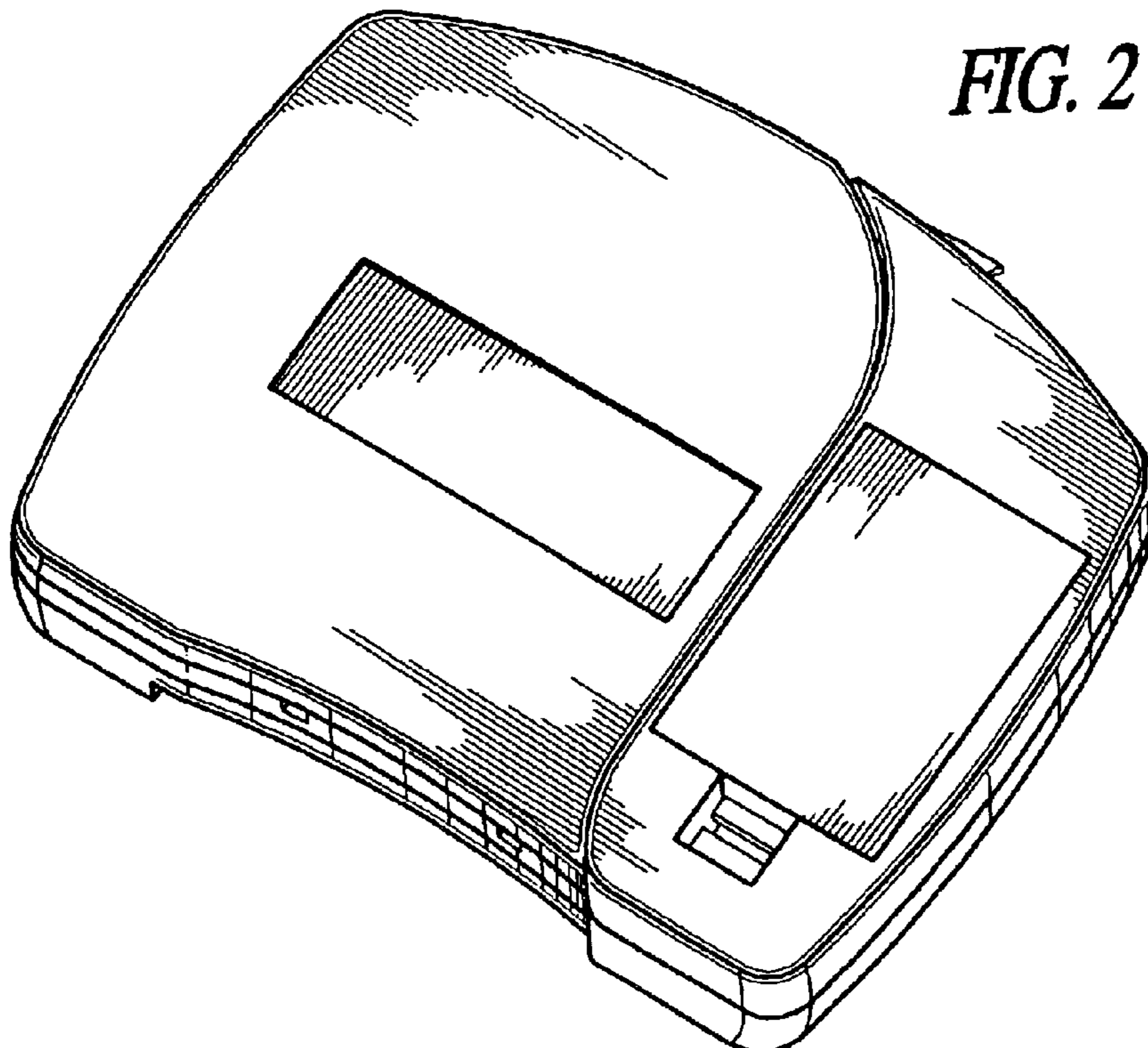
FIG. 1 is a front perspective view showing my new design for a video player adapter for portable handheld devices; FIG. 2 is a rear bottom perspective view thereof; FIG. 3 is a front elevational view thereof; FIG. 4 is a side elevational view thereof with the opposite side being a mirror image thereof; and, FIG. 5 is a top plan view thereof.

**1 Claim, 3 Drawing Sheets**



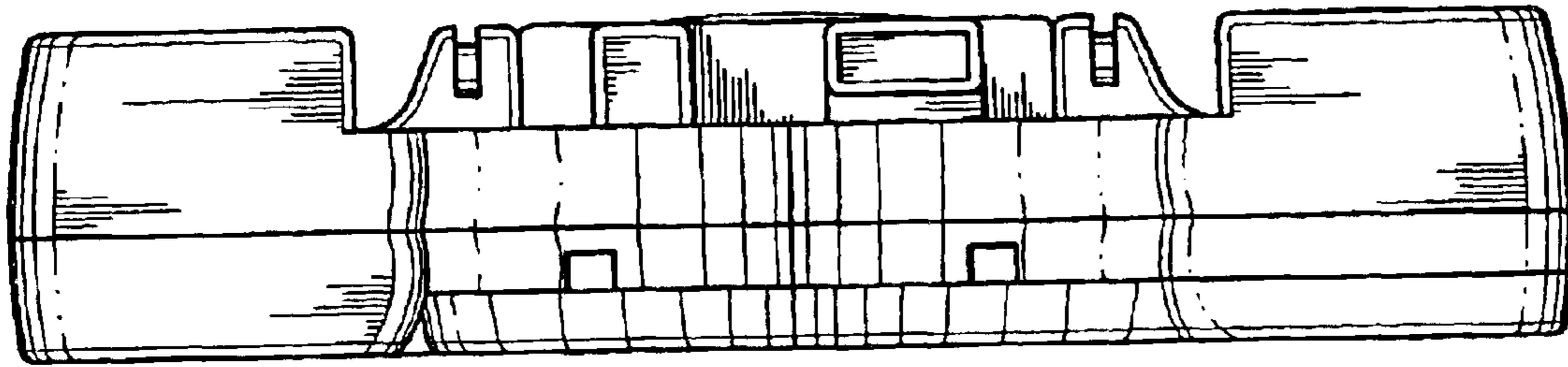


*FIG. 1*

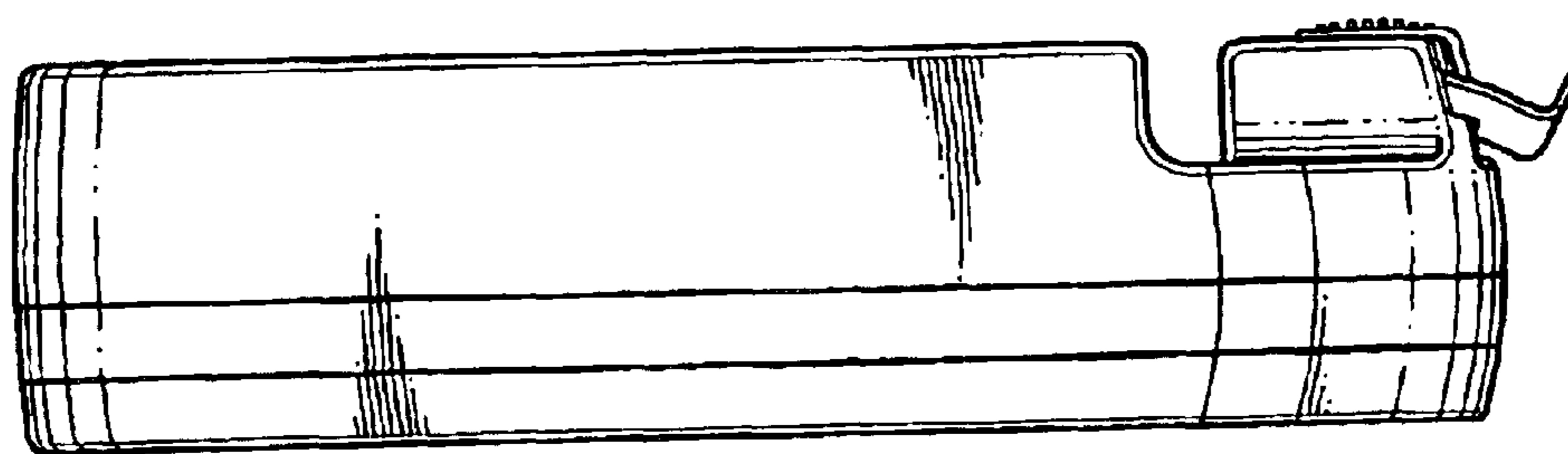


*FIG. 2*

*FIG. 3*



*FIG. 4*





*FIG. 5*

