

US00D503704S

(12) **United States Design Patent**
Yao

(10) **Patent No.:** **US D503,704 S**

(45) **Date of Patent:** **** Apr. 5, 2005**

(54) **SPEAKER**

(76) **Inventor:** **HongBo Yao**, 2550 Corporate Pl., Ste.
C103, Monterey Park, CA (US) 91754

(**) **Term:** **14 Years**

(21) **Appl. No.:** **29/194,761**

(22) **Filed:** **Dec. 1, 2003**

(51) **LOC (7) Cl.** **14-01**

(52) **U.S. Cl.** **D14/216**

(58) **Field of Search** D14/204, 207,
D14/209-216, 356, 221-222, 224; 181/143-144,
147-148, 150, 157, 198-199, 151, 153;
381/300-302, 306, 333, 345, 361-364,
386-388, 332, 336

(56) **References Cited**

U.S. PATENT DOCUMENTS

D188,541 S * 8/1960 Matsuoka et al. D14/216
D250,586 S * 12/1978 Nussdorfer et al. D14/216

D364,167 S * 11/1995 Daniels D14/221
D384,076 S * 9/1997 Lazzeroni et al. D14/216
D480,709 S * 10/2003 Proni D14/216

* cited by examiner

Primary Examiner—Nanda Bondade

(74) *Attorney, Agent, or Firm*—Clement Cheng

(57) **CLAIM**

The ornamental design for a speaker, as shown and described.

DESCRIPTION

FIG. 1 is a perspective view of a speaker showing my new design;

FIG. 2 is a right side elevational view of the speaker.

FIG. 3 is a front elevational view of the speaker.

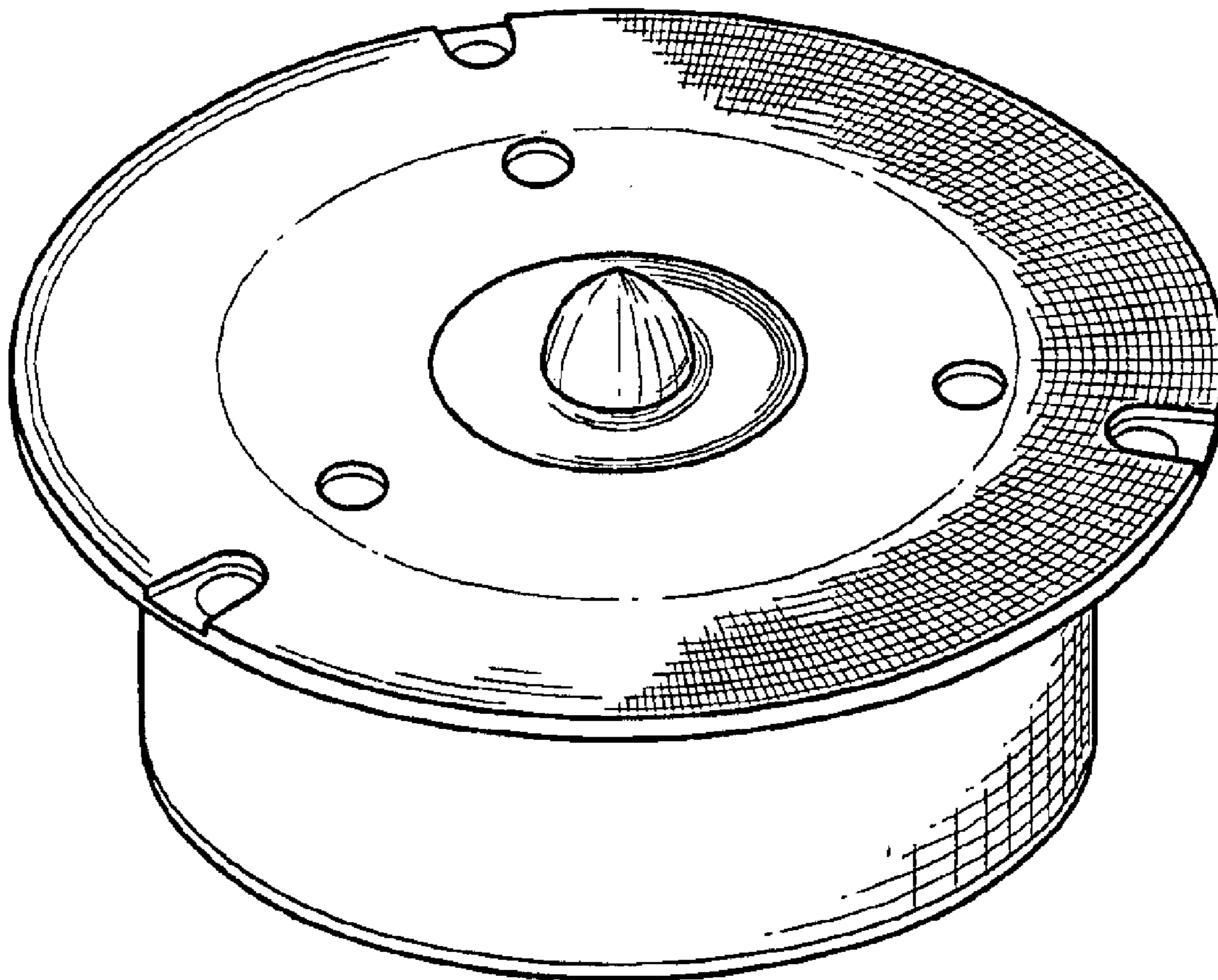
FIG. 4 is a left side elevational view of the speaker.

FIG. 5 is a rear elevational view of the speaker.

FIG. 6 is a top plan view of the speaker; and,

FIG. 7 is a bottom plan view of the speaker.

1 Claim, 4 Drawing Sheets



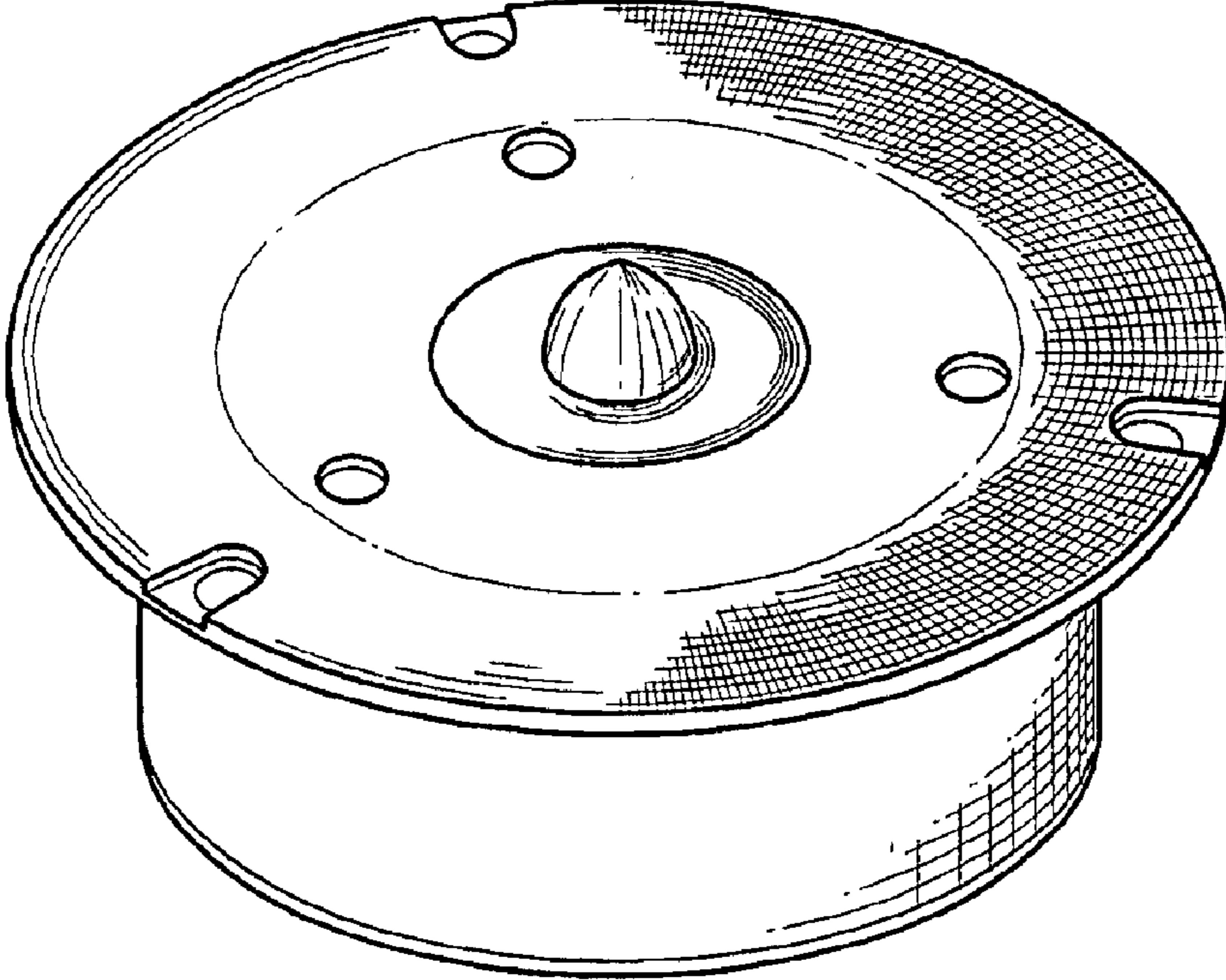


Fig. 1

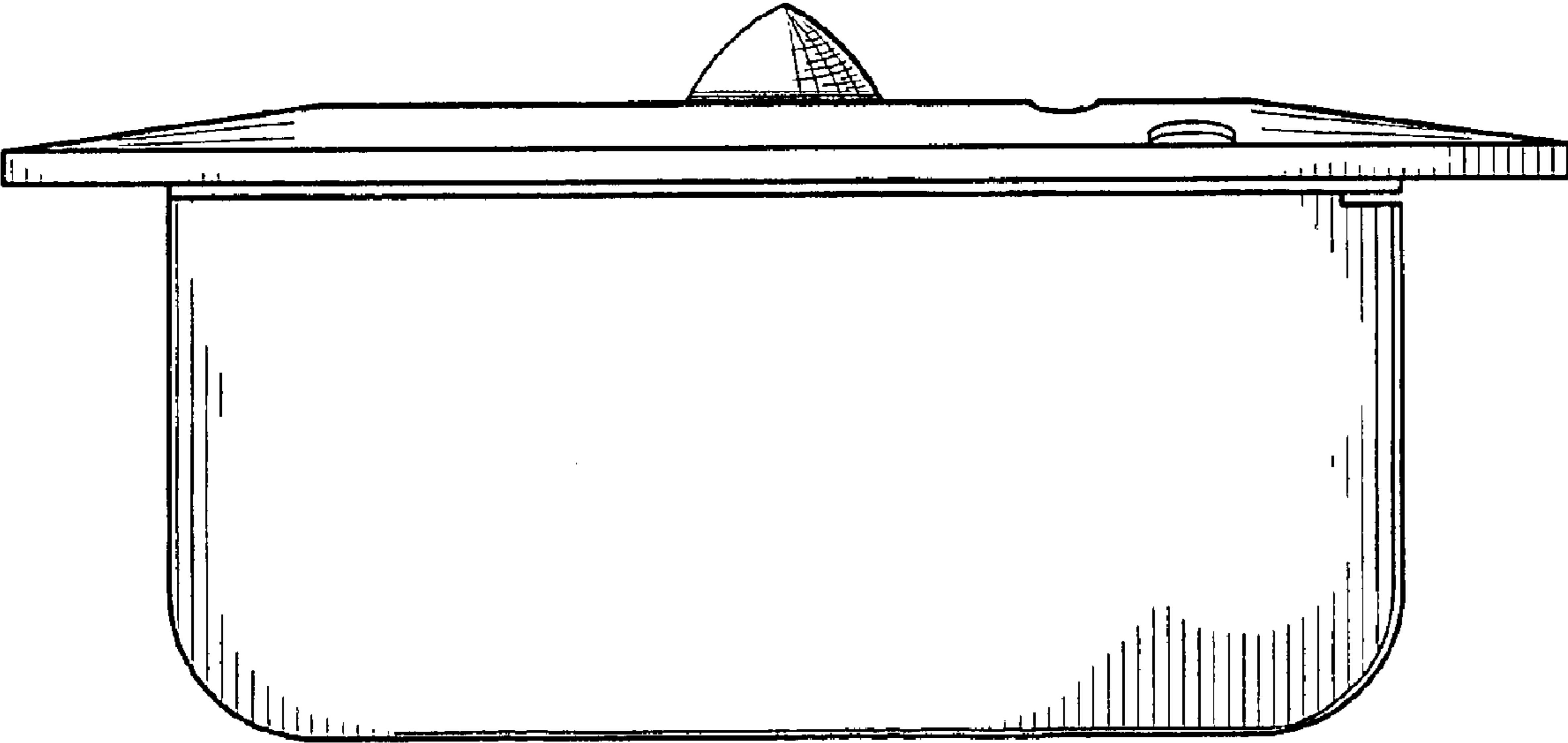


Fig. 2

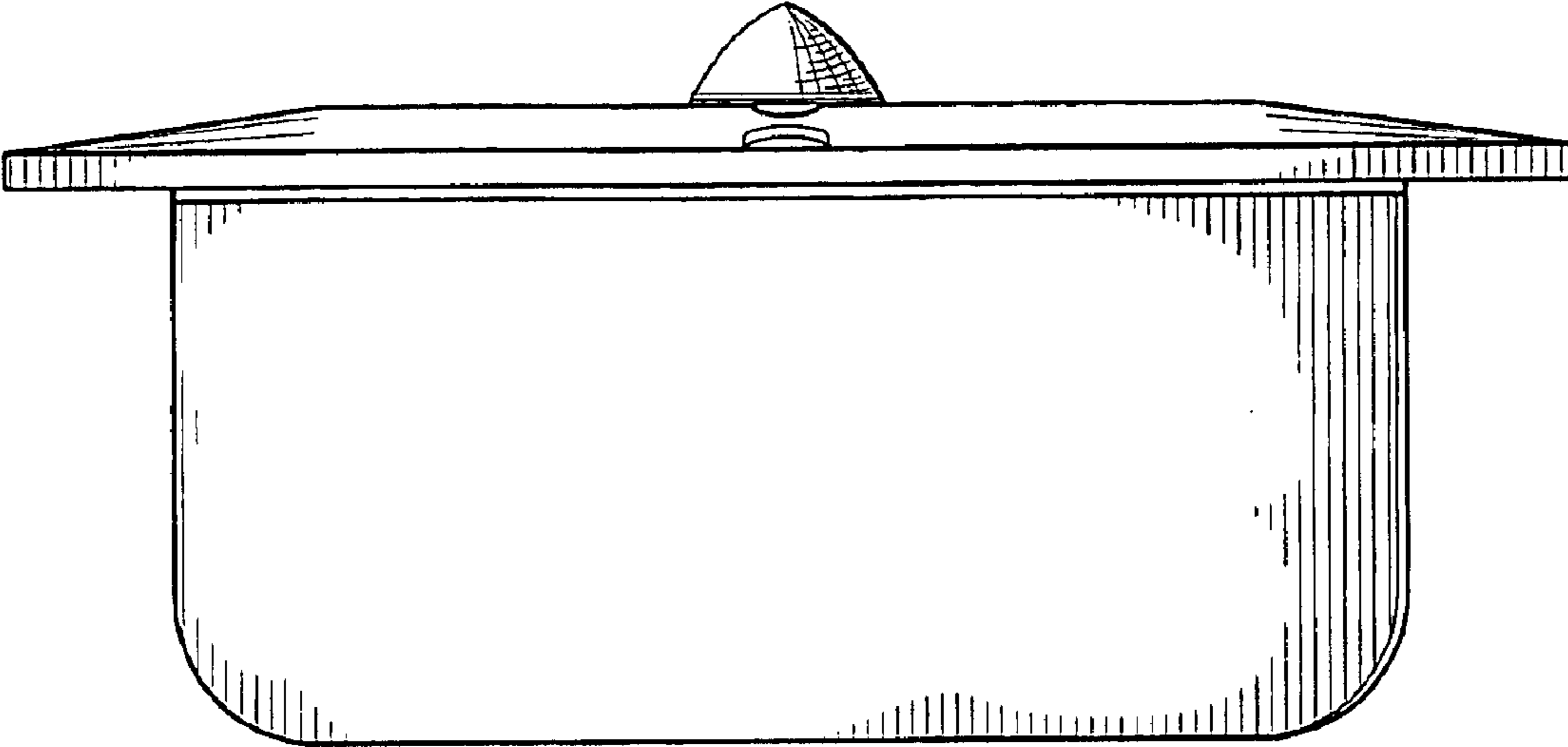


Fig. 3

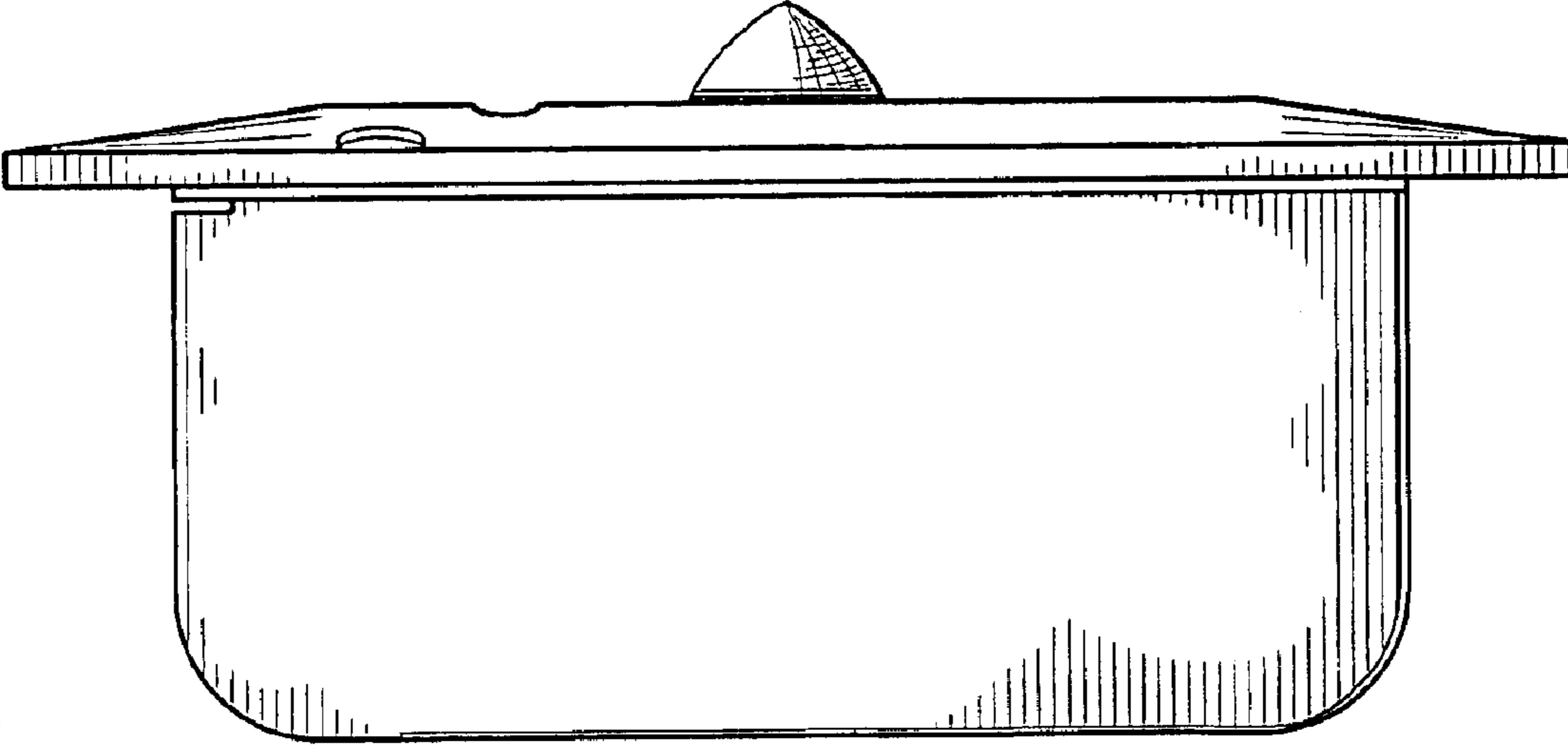


Fig. 4

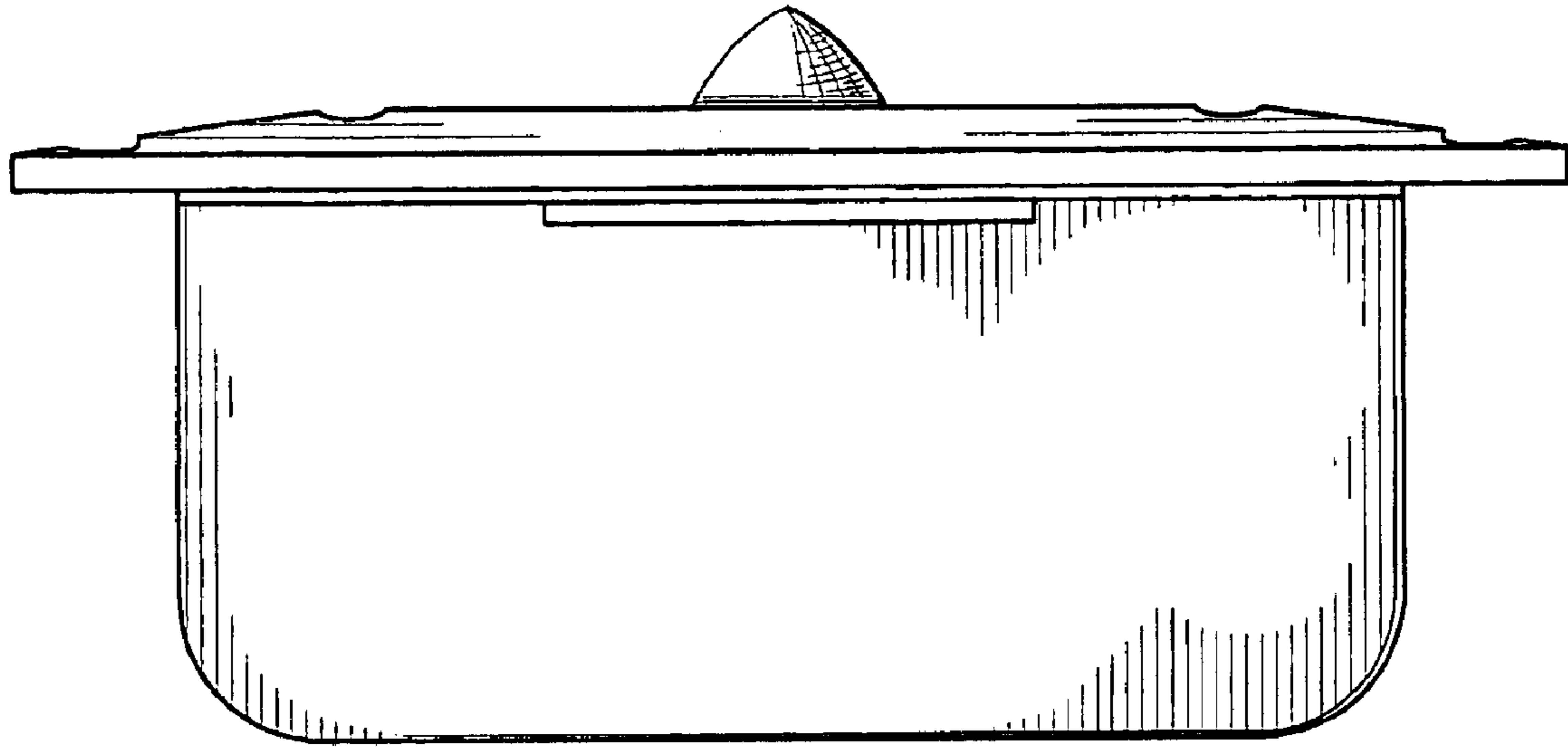


Fig. 5

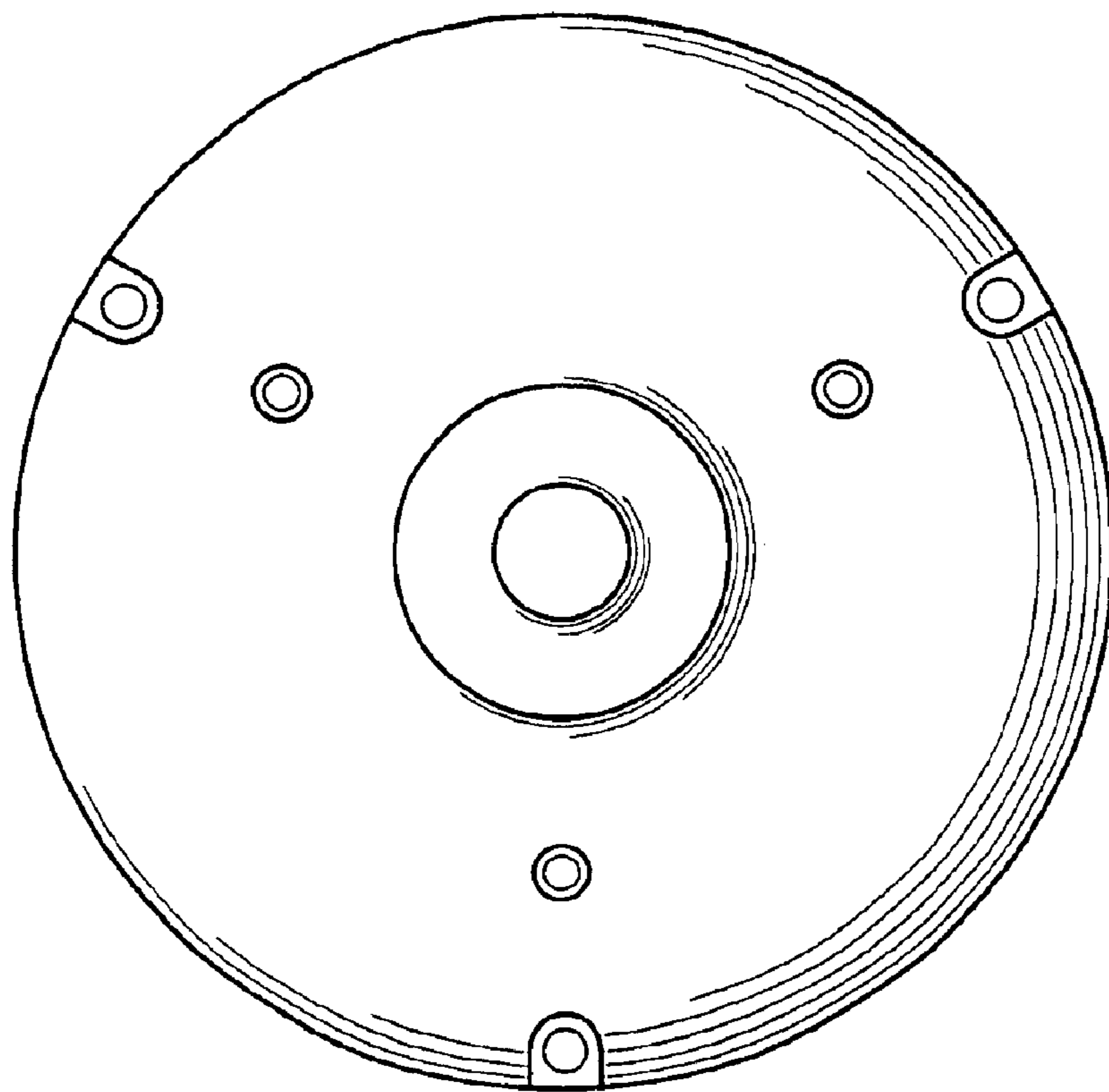


Fig. 6

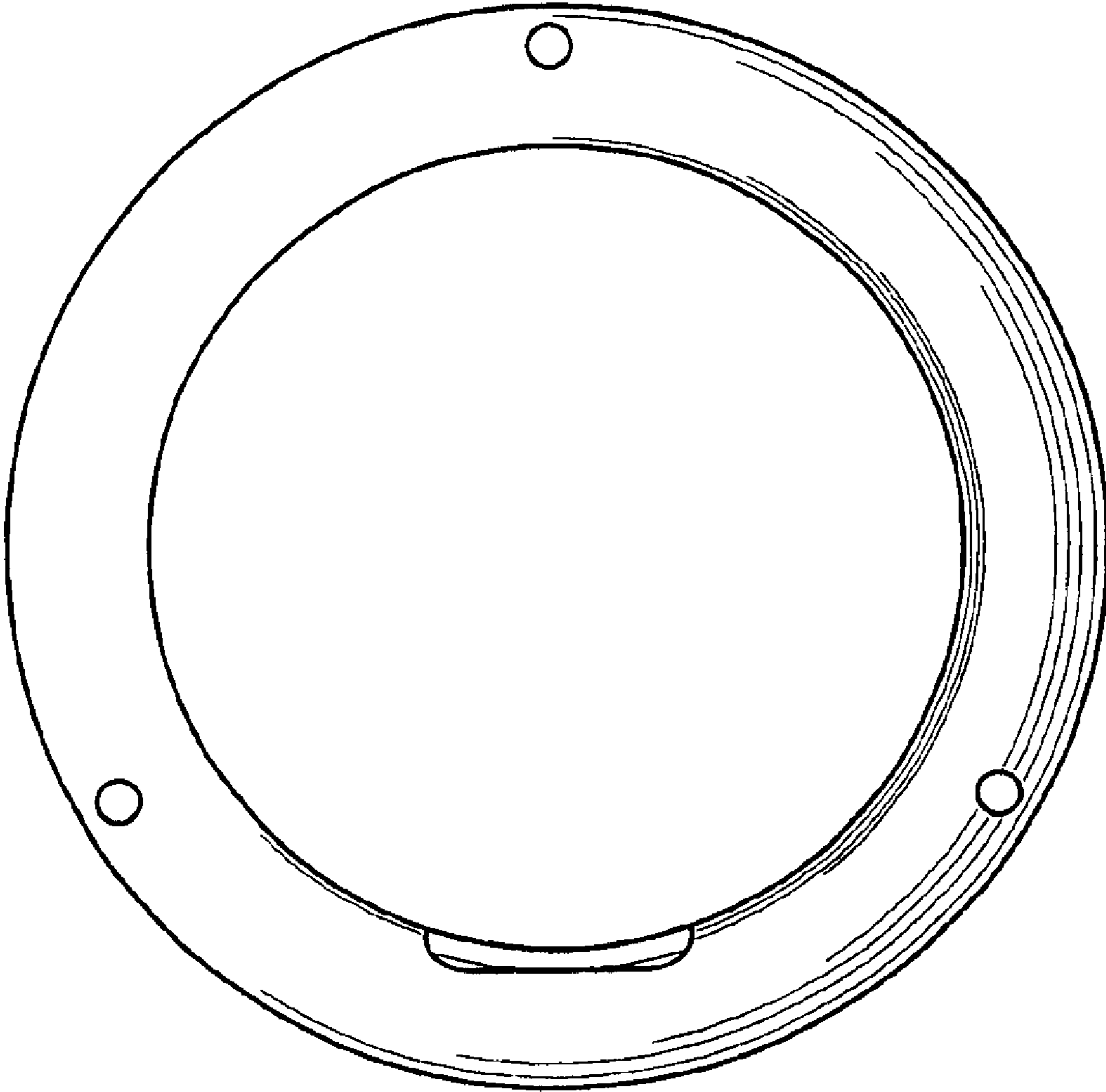


Fig. 7