

US00D503703S

(12) **United States Design Patent**
Beckett et al.

(10) **Patent No.:** **US D503,703 S**
(45) **Date of Patent:** **** Apr. 5, 2005**

(54) **SPEAKER HOUSING**

(75) Inventors: **Christopher S. Beckett**, St. Paul, MN (US); **Ryan P. Whitehouse**, Eagan, MN (US)

(73) Assignee: **Telex Communications, Inc.**, Burnsville, MN (US)

(**) Term: **14 Years**

(21) Appl. No.: **29/202,357**

(22) Filed: **Mar. 29, 2004**

(51) **LOC (7) Cl.** **14-01**

(52) **U.S. Cl.** **D14/214**

(58) **Field of Search** D14/204, 207, D14/209-216, 356; 181/143-144, 147-148, 150, 157, 198-199, 151, 153; 381/300-302, 306, 333, 345, 361-364, 386-388, 332, 336

(56) **References Cited**

U.S. PATENT DOCUMENTS

D385,279 S	*	10/1997	Diute	D14/216
5,714,723 A	*	2/1998	Kang	181/199
D401,241 S		11/1998	Runquist et al.	D14/215
D419,158 S		1/2000	Mackie et al.	D14/214
D466,494 S	*	12/2002	Solland	D14/215
D467,571 S		12/2002	Whitehouse et al.	D14/204
D471,533 S	*	3/2003	Hovanky et al.	D14/215
D471,894 S	*	3/2003	Oikawa	D14/214
D480,708 S	*	10/2003	Bothe	D14/214
D491,553 S	*	6/2004	Cook	D14/214

D496,924 S * 10/2004 Salyer et al. D14/214

* cited by examiner

Primary Examiner—Nanda Bondade

(74) *Attorney, Agent, or Firm*—Fredrikson & Byron, PA

(57) **CLAIM**

We claim the ornamental design for the speaker housing, as shown and described.

DESCRIPTION

FIG. 1 is a front, top, left side perspective view of the speaker housing of our new design;

FIG. 2 is a front view thereof;

FIG. 3 is a left side view thereof;

FIG. 4 is a right side view thereof;

FIG. 5 is a rear view thereof;

FIG. 6 is a top view thereof;

FIG. 7 is a bottom view thereof;

FIG. 8 is a front, top, left side perspective view of an alternate embodiment of the speaker housing of our new design;

FIG. 9 is a front view thereof;

FIG. 10 is a left side view thereof;

FIG. 11 is a right side view thereof;

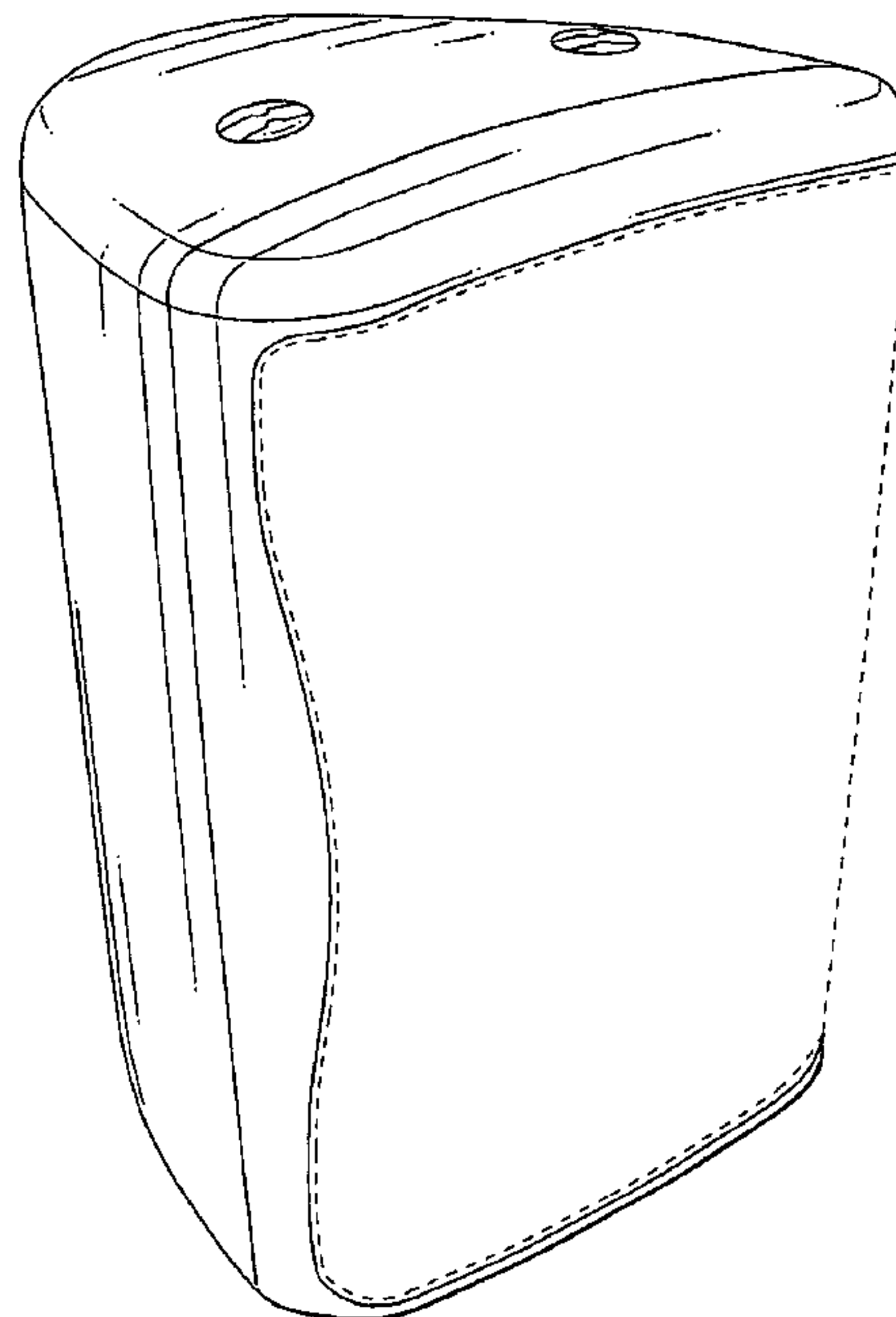
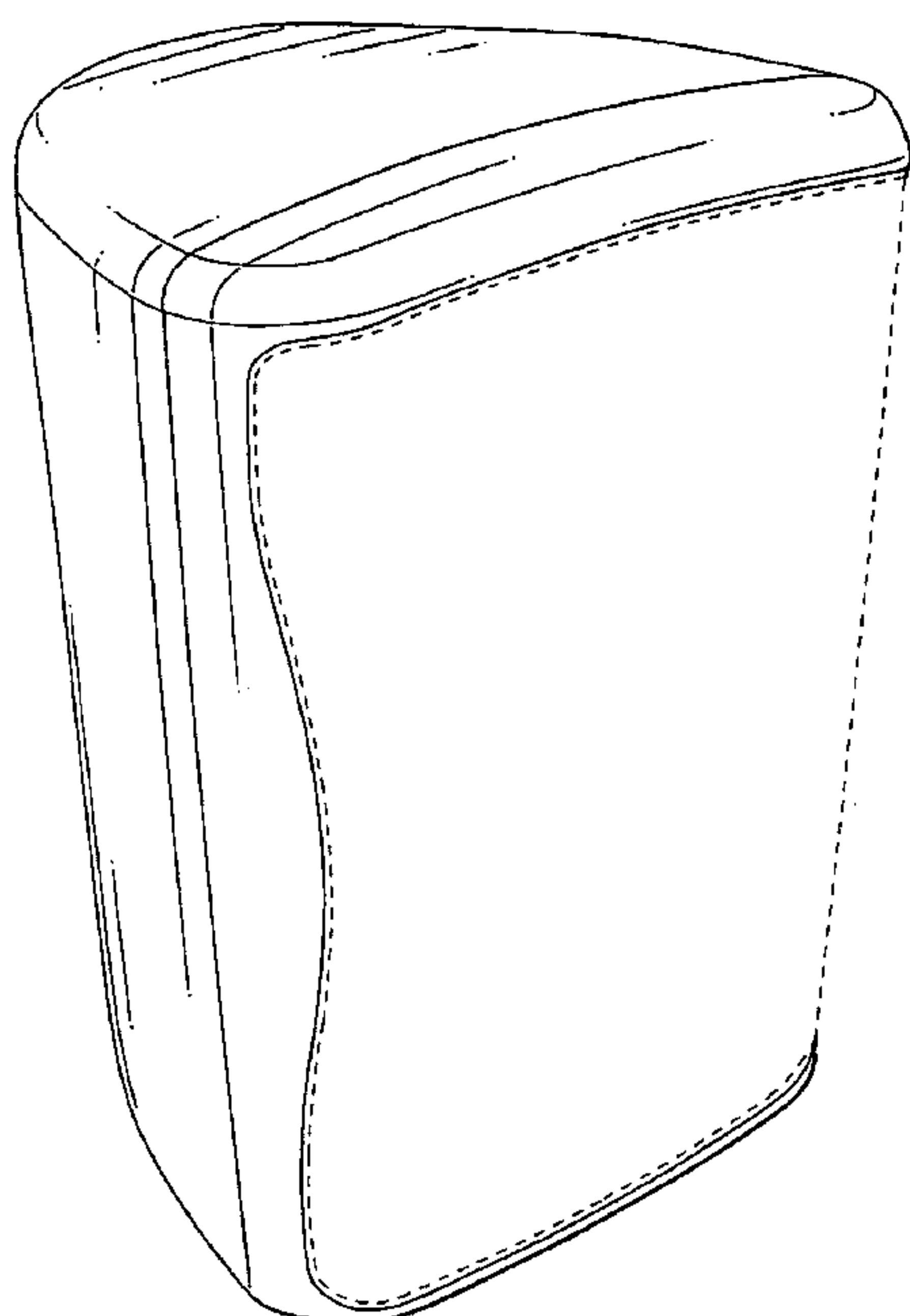
FIG. 12 is a rear view thereof;

FIG. 13 is a top view thereof; and,

FIG. 14 is a bottom view thereof.

Where included, broken lines showing environment or structure are for illustrative purposes only and form no part of the claimed design.

1 Claim, 12 Drawing Sheets



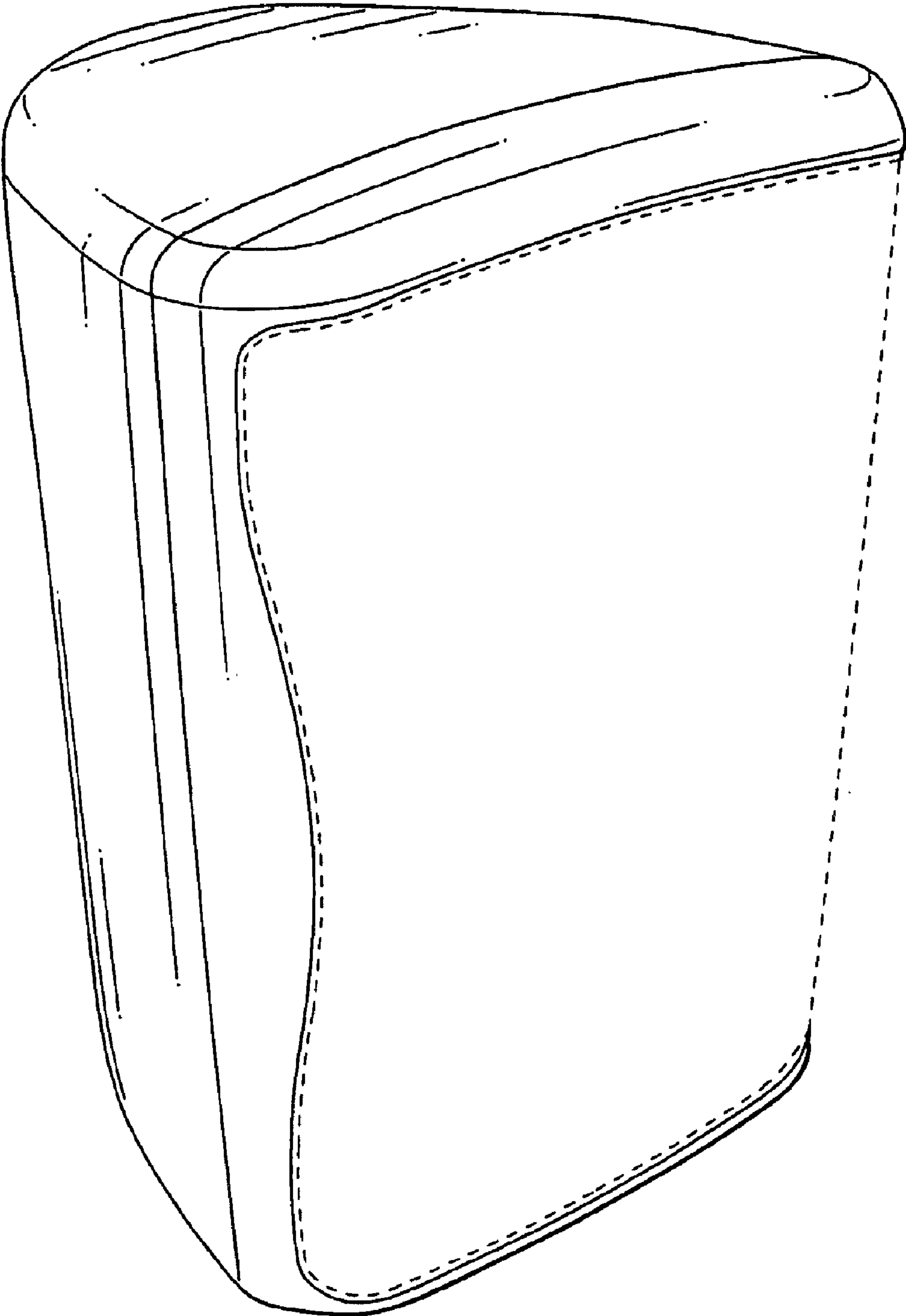


FIG. 1

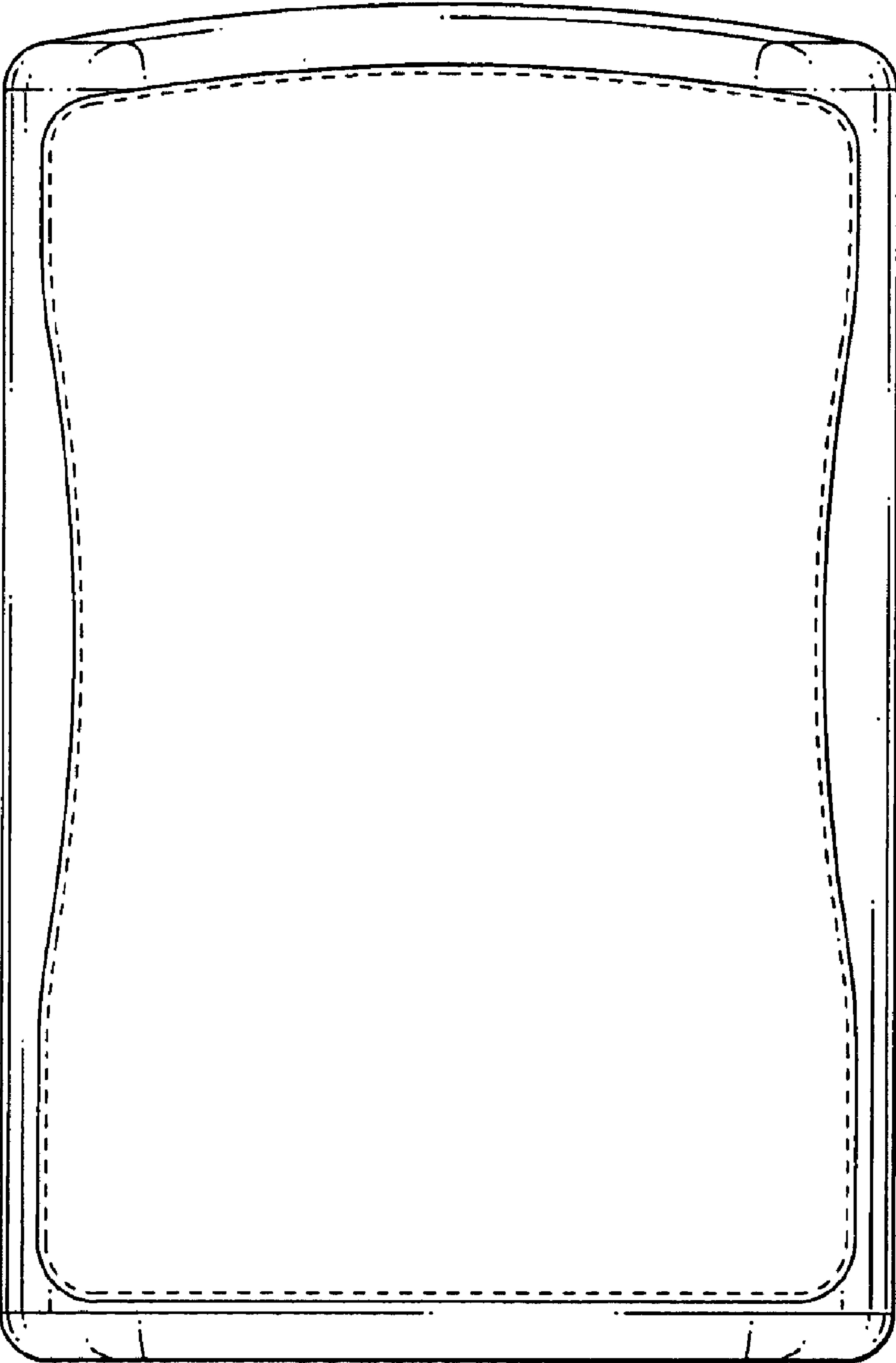


FIG. 2

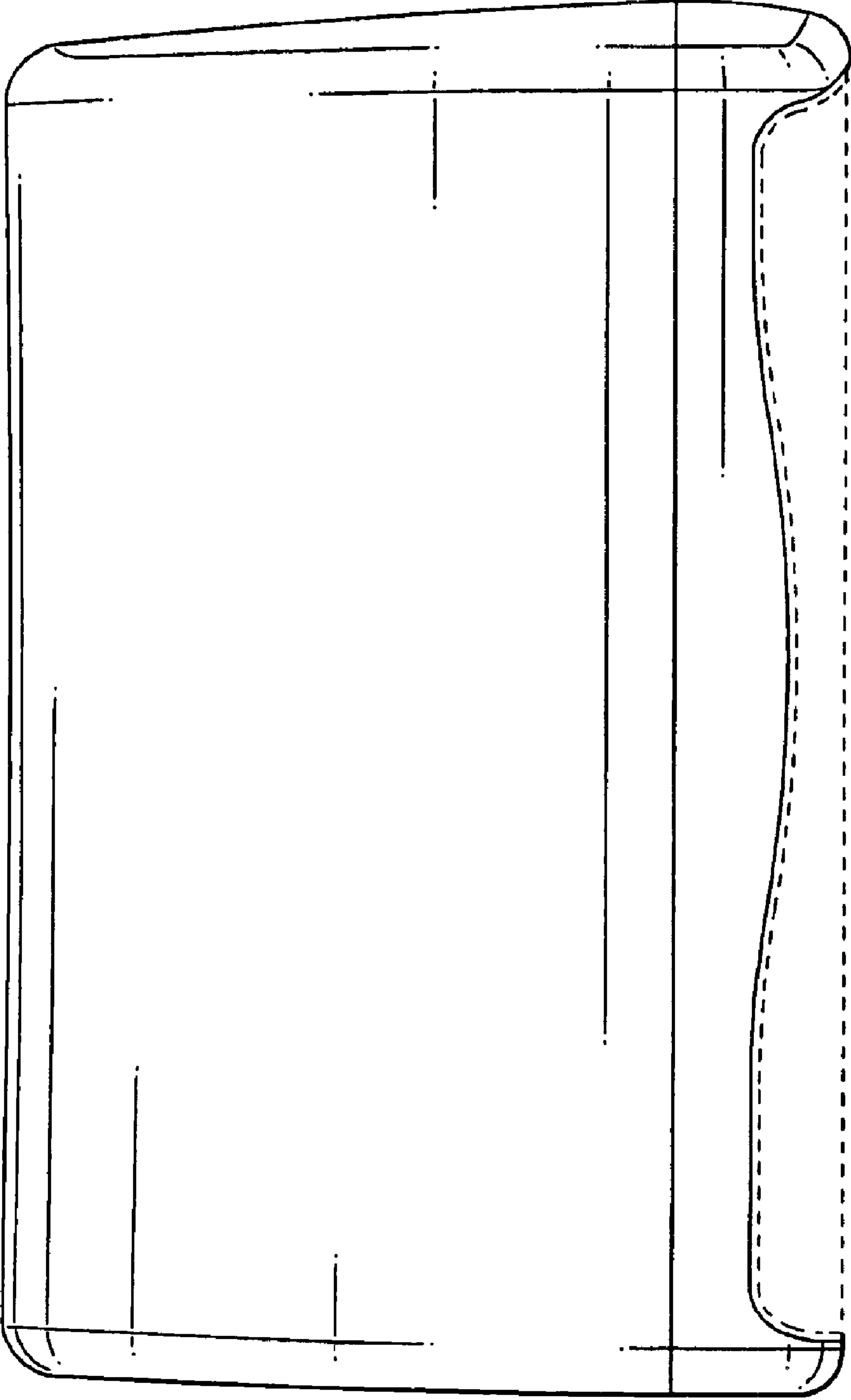


FIG. 3

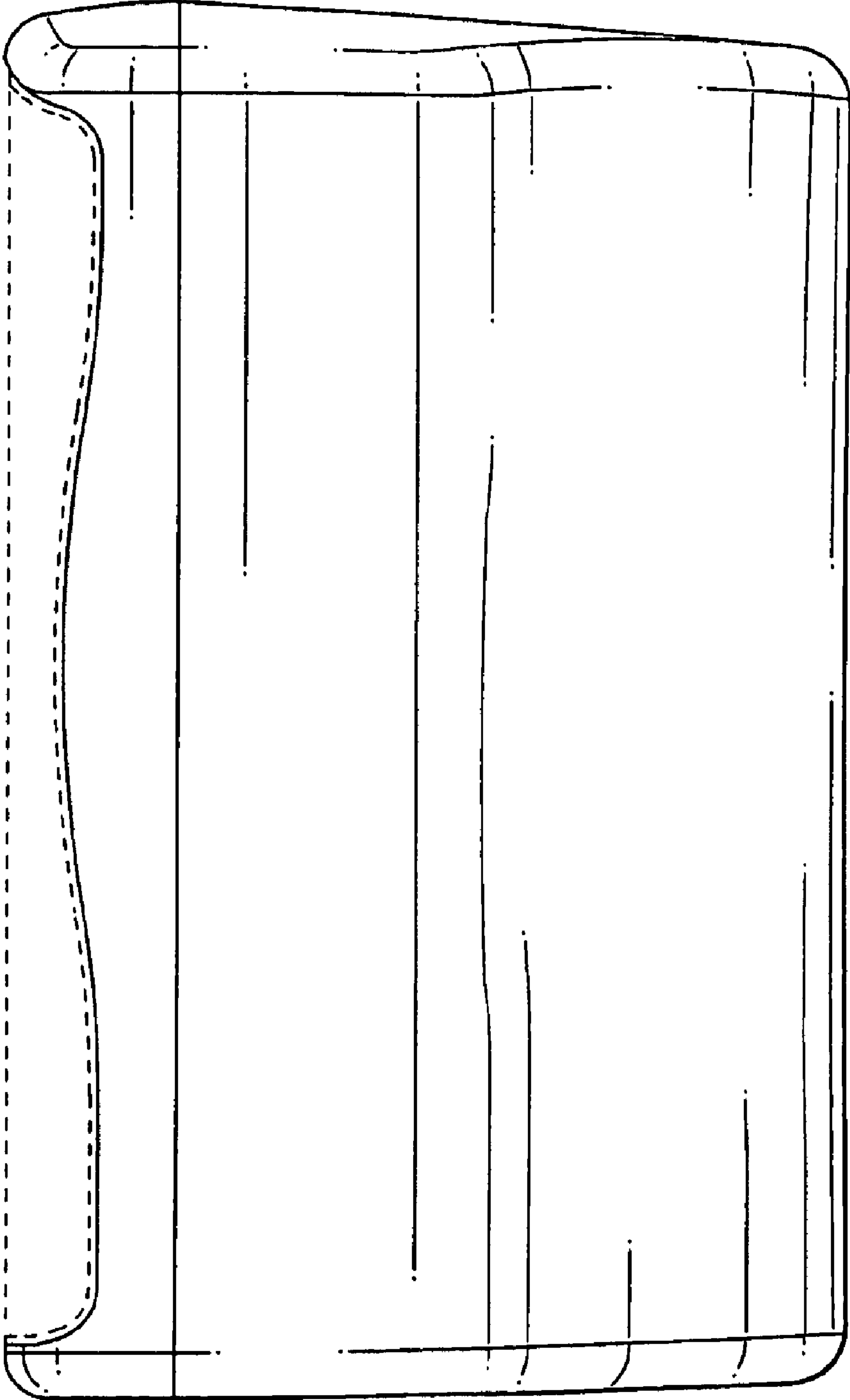


FIG. 4

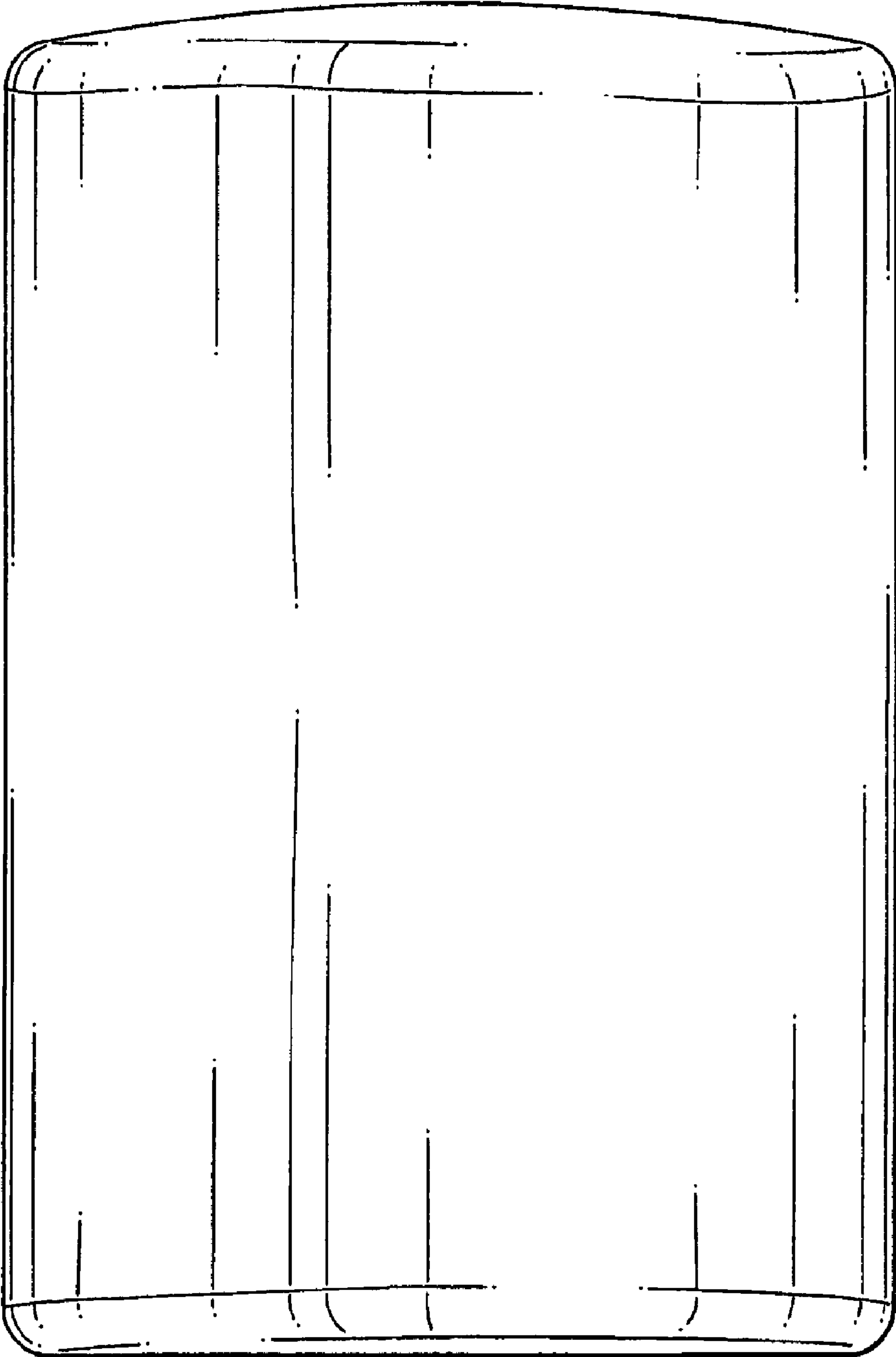
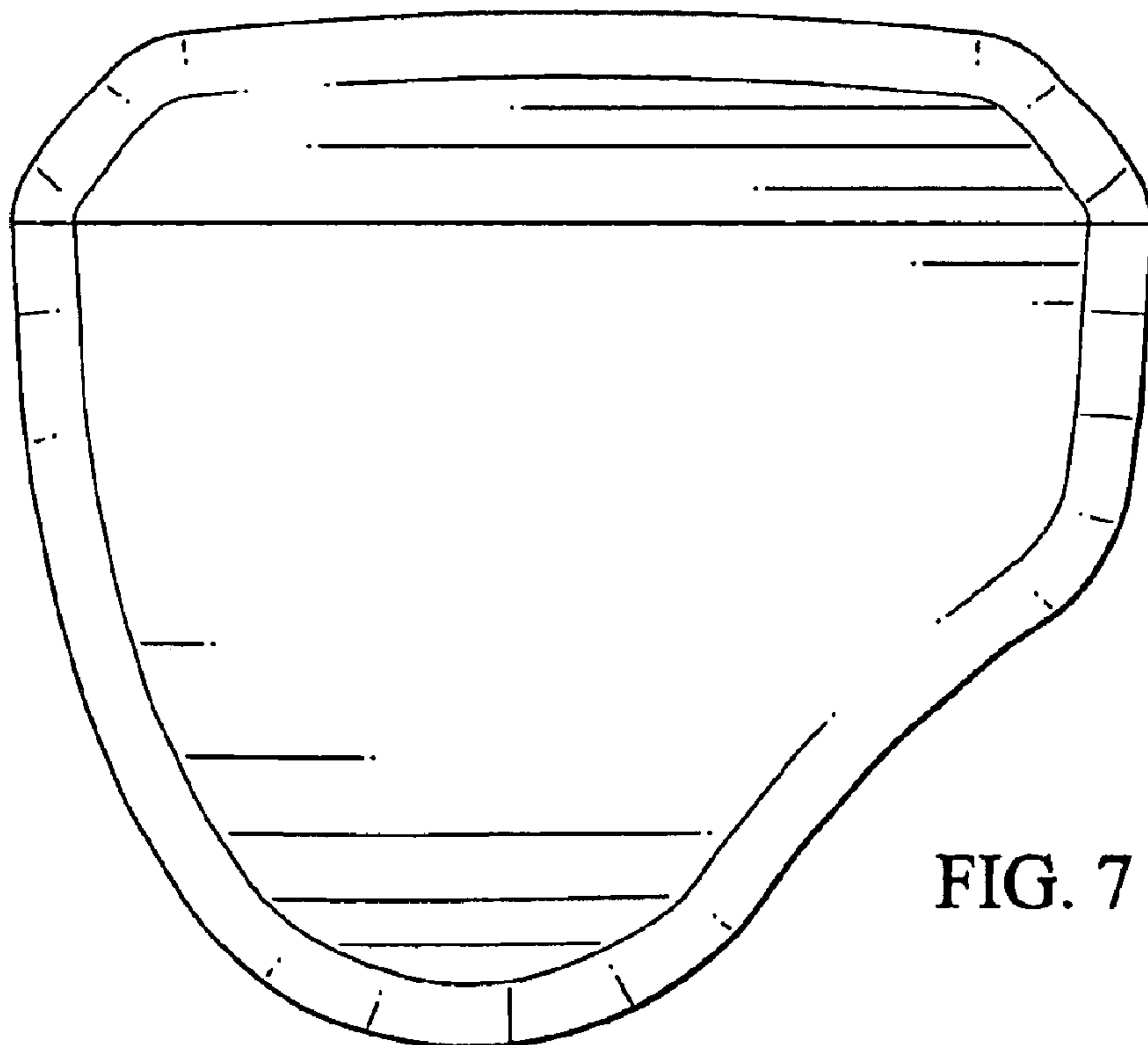
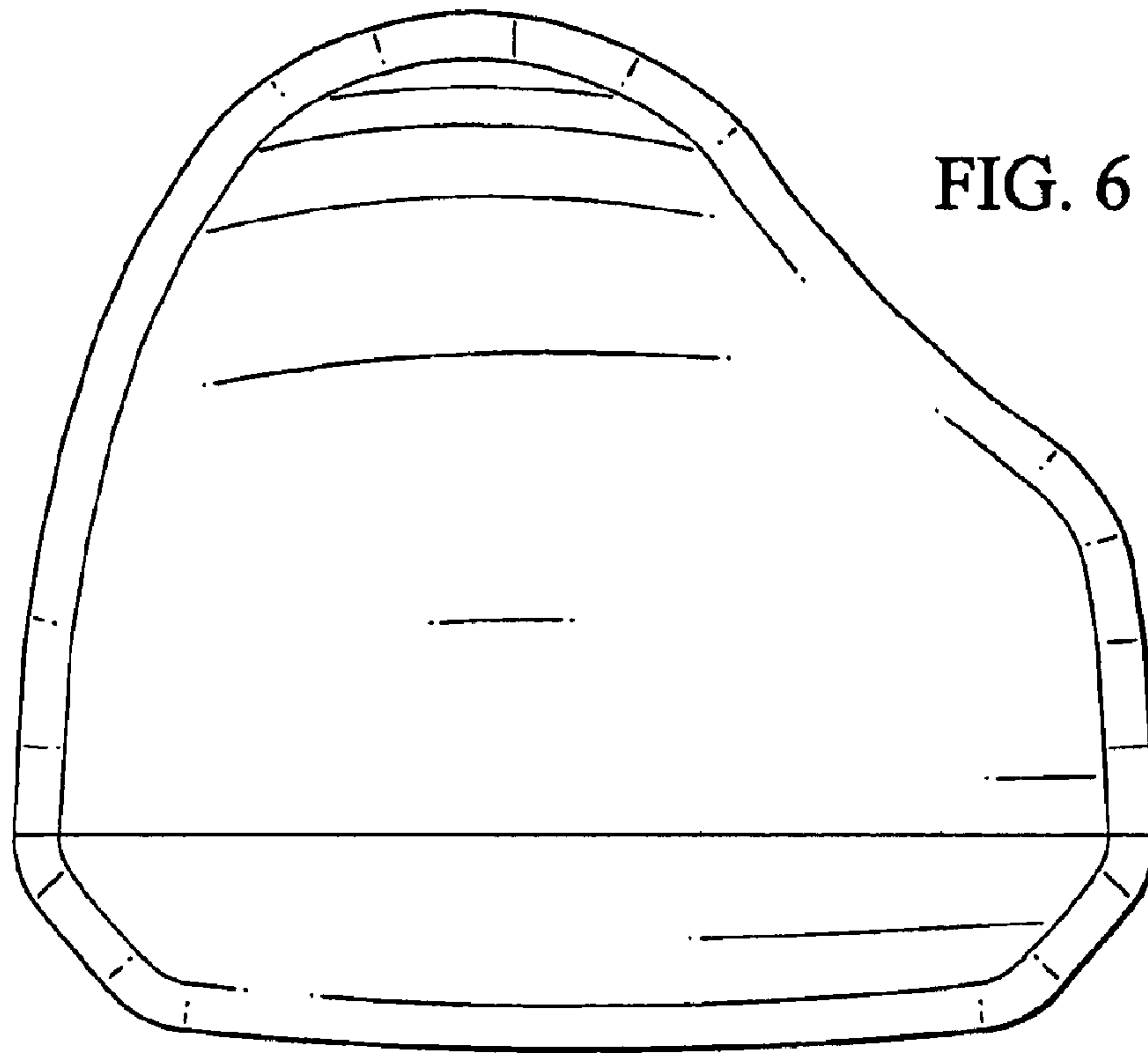


FIG. 5



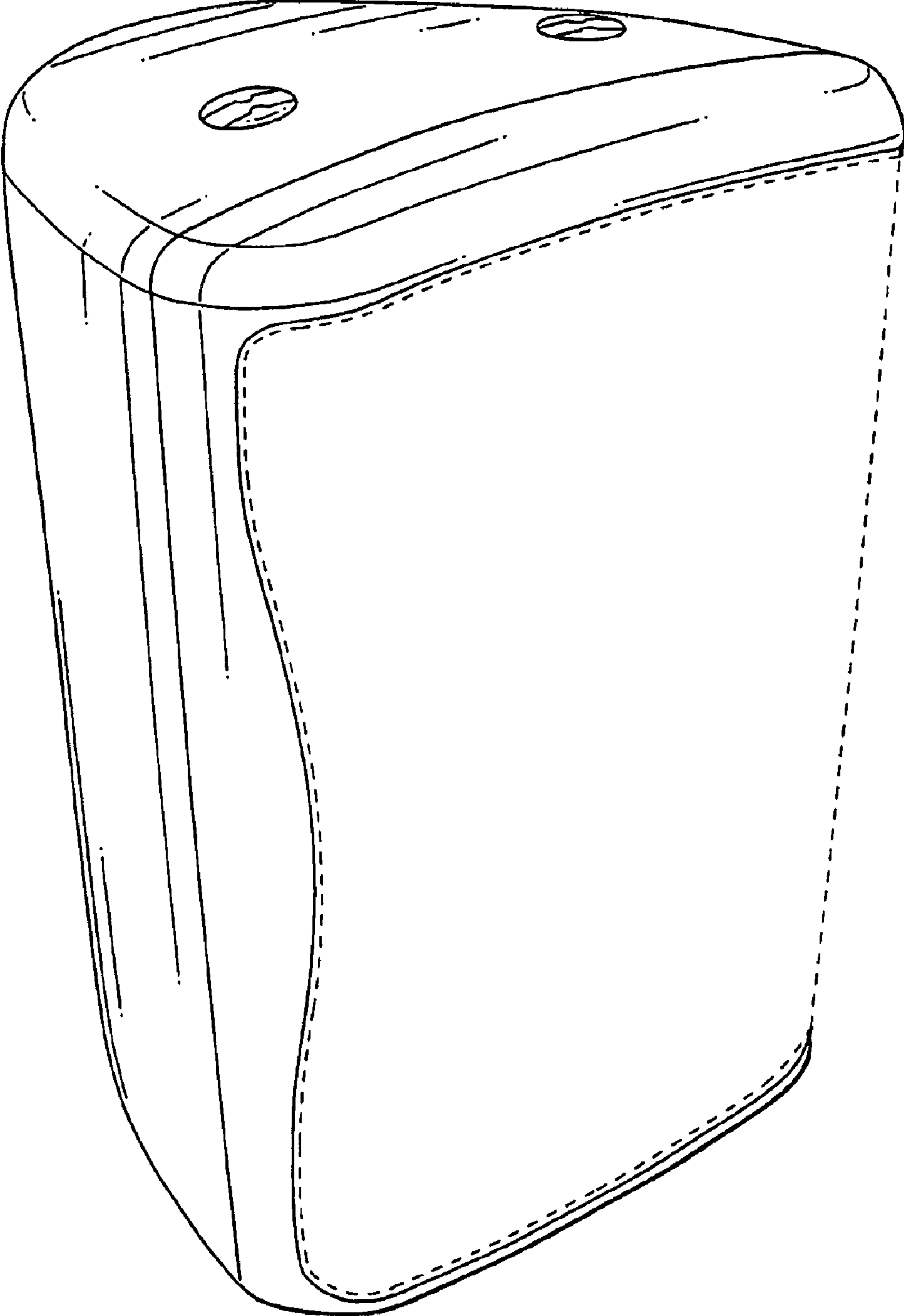


FIG. 8

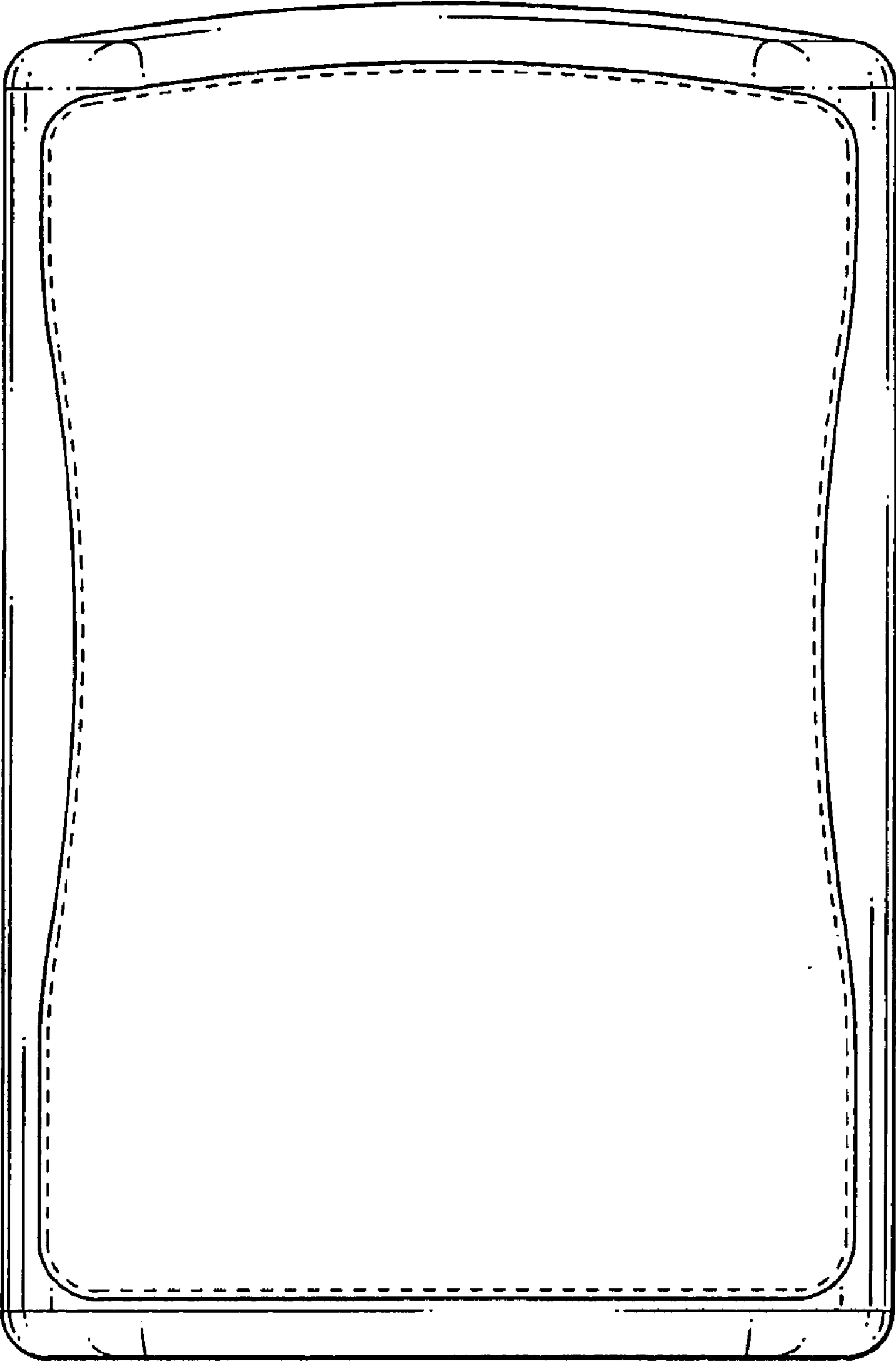


FIG. 9

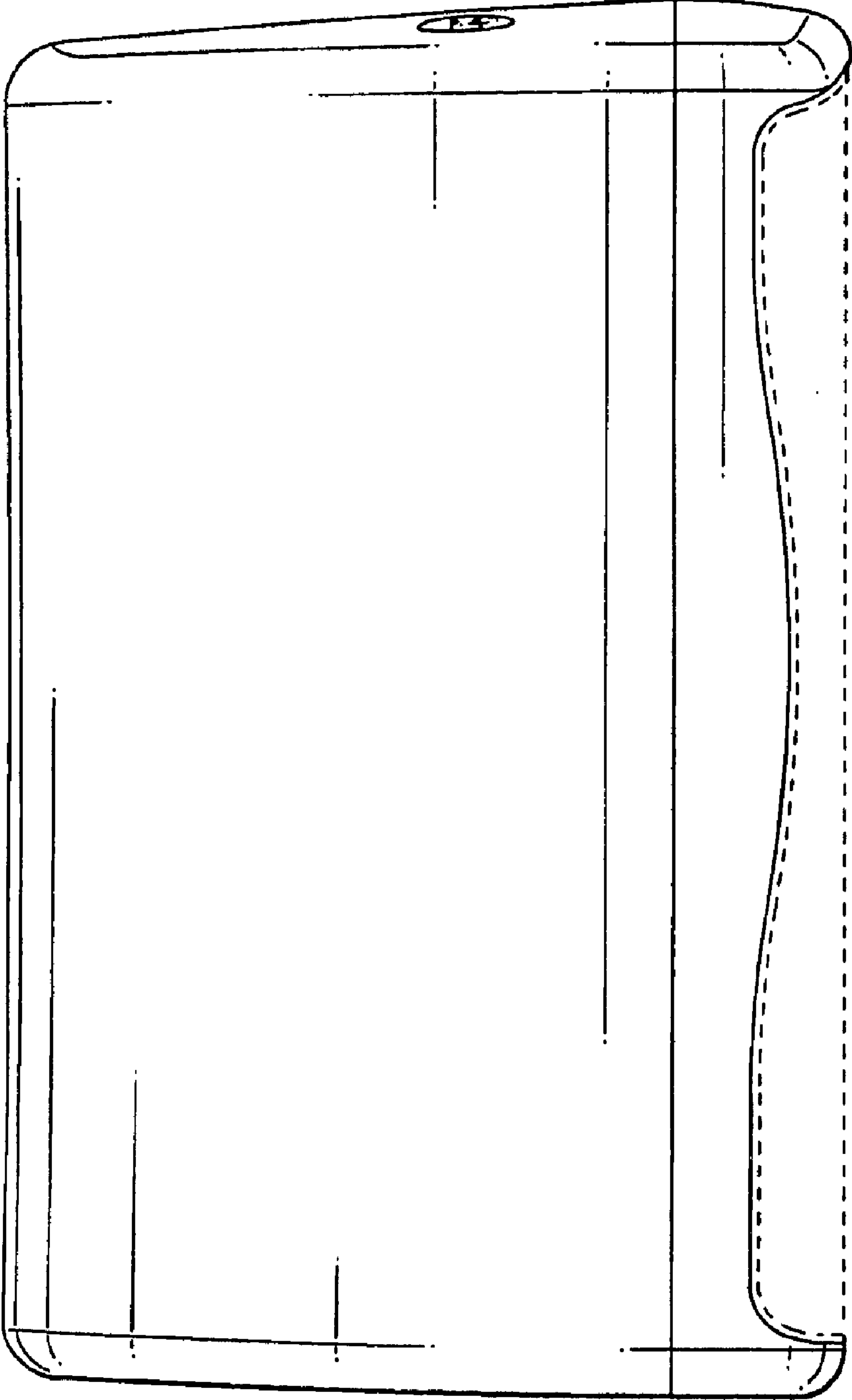


FIG. 10

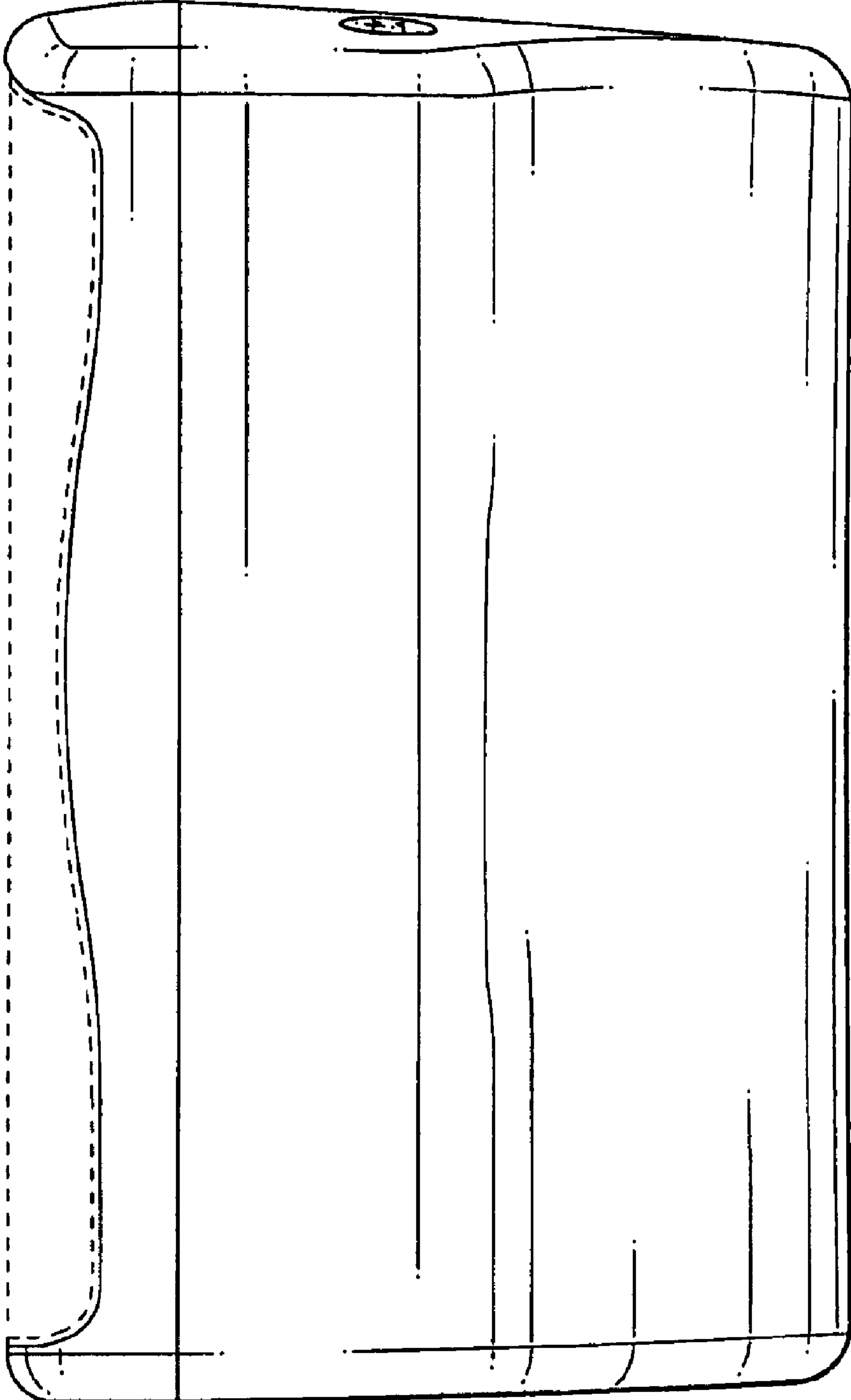


FIG. 11

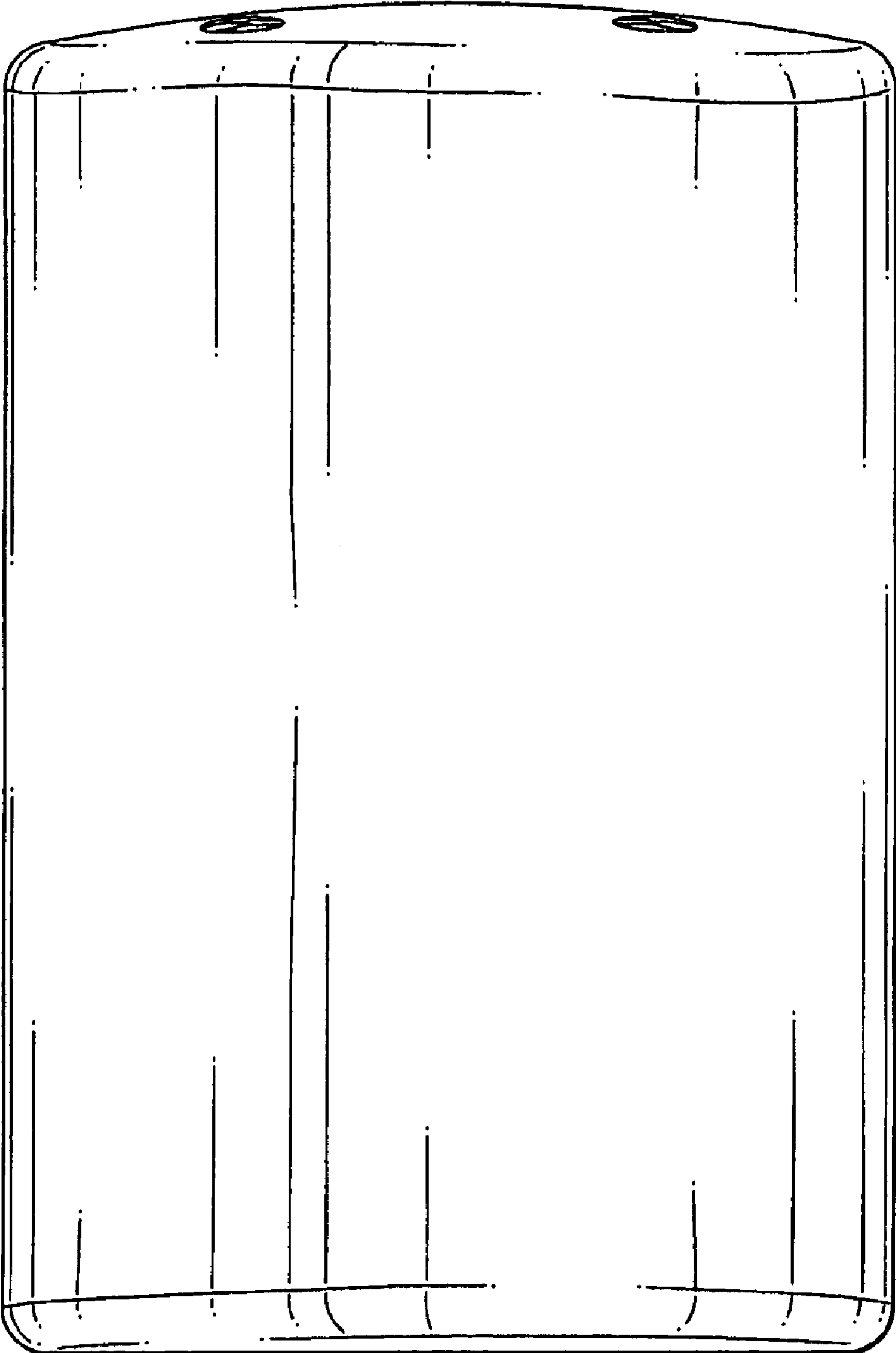


FIG. 12

