

US00D503690S

(12) **United States Design Patent**
Kamada

(10) **Patent No.:** **US D503,690 S**
(45) **Date of Patent:** **** Apr. 5, 2005**

(54) **LIGHT EMITTING DIODE**

(75) **Inventor:** **Kazuhiro Kamada, Anan (JP)**

(73) **Assignee:** **Nichia Corporation (JP)**

(**) **Term:** **14 Years**

(21) **Appl. No.:** **29/192,569**

(22) **Filed:** **Oct. 27, 2003**

(30) **Foreign Application Priority Data**

Apr. 25, 2003	(JP)	2003-011756
Apr. 25, 2003	(JP)	2003-011757
Apr. 25, 2003	(JP)	2003-011758
Apr. 25, 2003	(JP)	2003-011759
Apr. 25, 2003	(JP)	2003-011760
Apr. 25, 2003	(JP)	2003-011761

(51) **LOC (7) Cl.** **13-03**

(52) **U.S. Cl.** **D13/180**

(58) **Field of Search** D13/180, 182;
257/76, 79, 88, 89, 93-99, 434, 676, 678,
687, 690, 698, 787; 313/498, 799, 500;
361/760, 820; 362/226, 241, 249, 250,
307, 555, 800

(56) **References Cited**

U.S. PATENT DOCUMENTS

6,061,160	A	*	5/2000	Maruyama	398/201
D437,798	S	*	2/2001	Kiba et al.	D10/104
D439,351	S	*	3/2001	Kiba et al.	D26/37
6,204,523	B1	*	3/2001	Carey et al.	257/98
6,274,890	B1	*	8/2001	Oshio et al.	257/98
6,476,549	B2	*	11/2002	Yu	313/499
D476,961	S	*	7/2003	Horiuchi et al.	D13/182
D477,580	S	*	7/2003	Kamada	D13/182

6,610,563	B1	*	8/2003	Waitl et al.	438/166
D488,137	S	*	4/2004	Kamada	D13/182
D490,387	S	*	5/2004	Yagi	D13/182
D491,899	S	*	6/2004	Yagi	D13/180

FOREIGN PATENT DOCUMENTS

JP	1-171201	4/2003
JP	1-171202	4/2003
JP	1-171714	4/2003
JP	1-171715	4/2003

* cited by examiner

Primary Examiner—Stella Reid

Assistant Examiner—Selina Sikder

(74) *Attorney, Agent, or Firm*—Osha & May L.L.P.

(57) **CLAIM**

The ornamental design for a light emitting diode, as shown and described.

DESCRIPTION

FIG. 1 shows a front view of the light emitting diode according to my new design.

FIG. 2 shows a top view of the design thereof.

FIG. 3 shows a bottom view of the design thereof.

FIG. 4 shows a right side view of the design thereof; and,

FIG. 5 shows a perspective view of the design thereof.

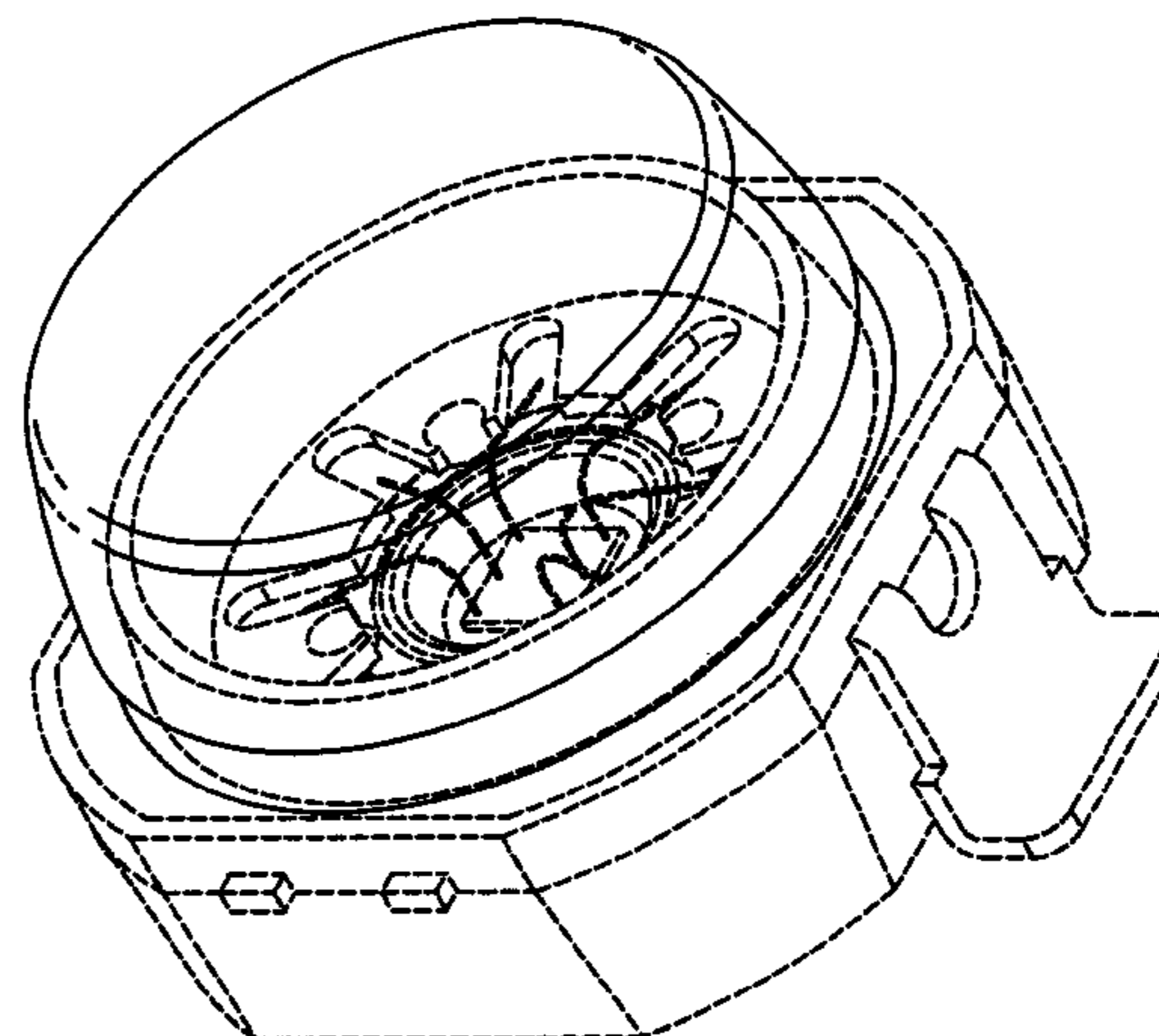
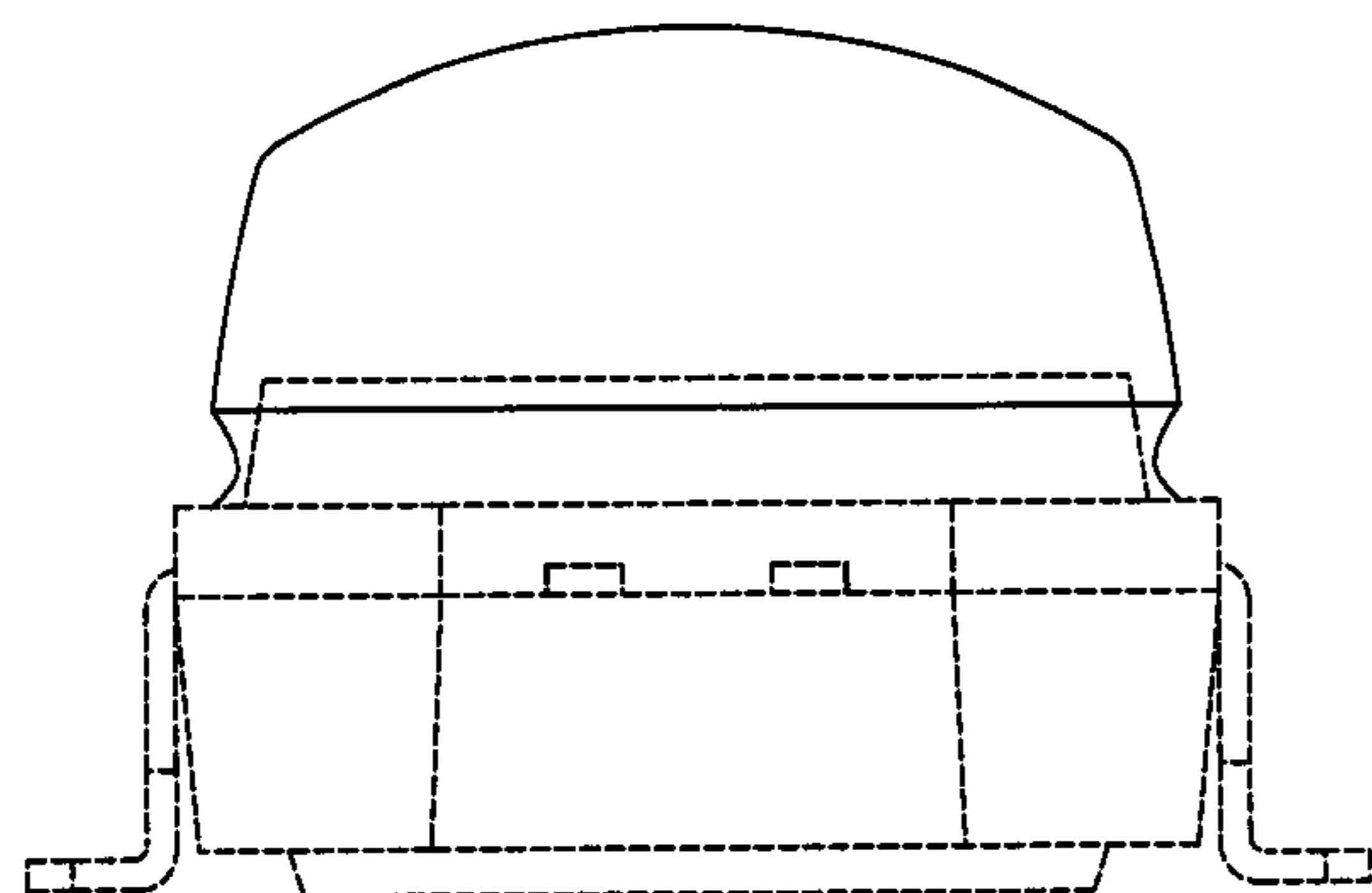
The back view of each embodiment is a mirror image of its corresponding front view.

The left side view of each embodiment is a mirror image of its corresponding right side view.

The elements shown in broken lines are for illustrative purposes only and form no part of the claimed design.

The broken line showing of the environment is for illustrative purpose only and forms no part of the claimed design.

1 Claim, 3 Drawing Sheets



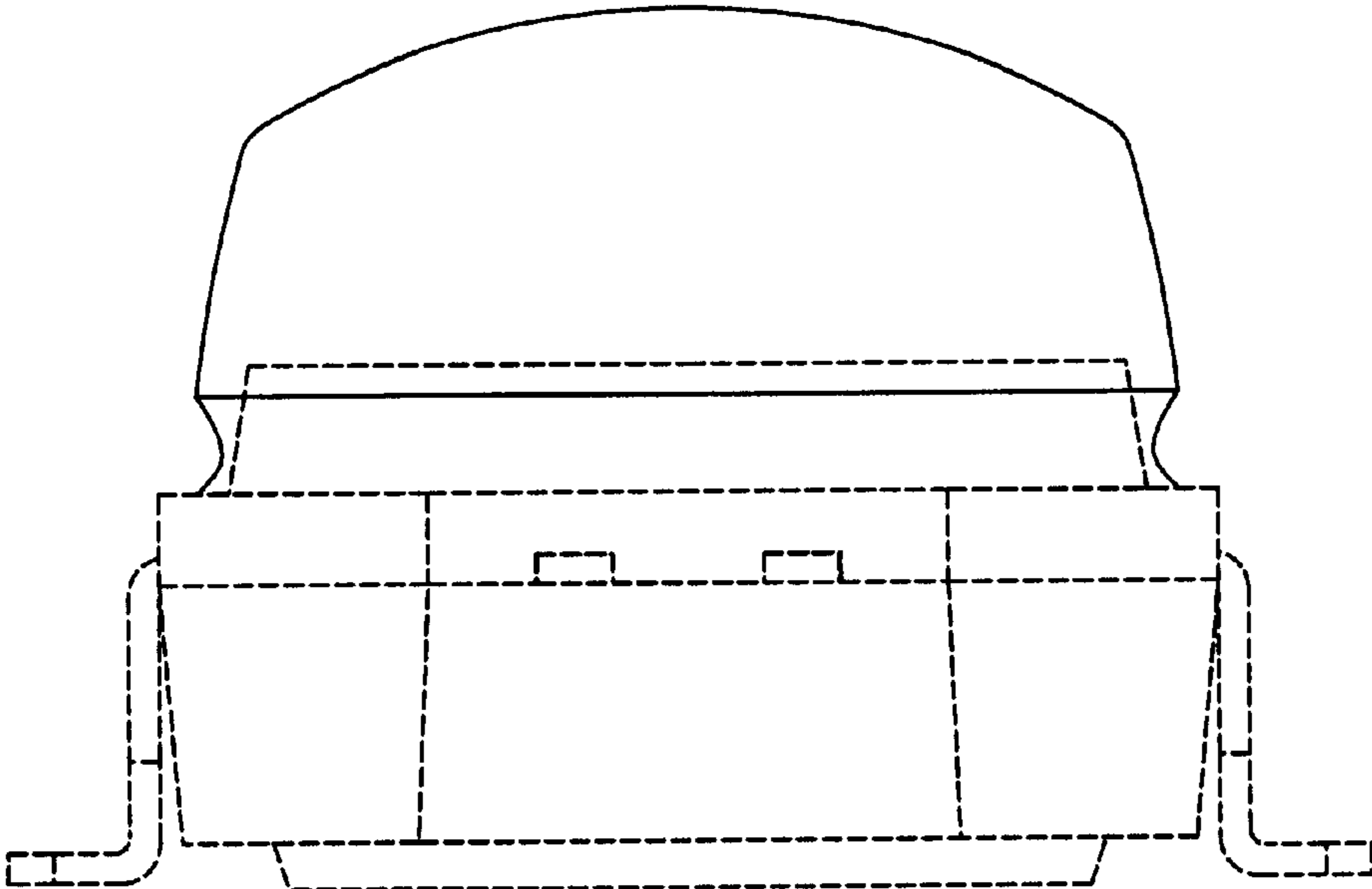


Figure 1

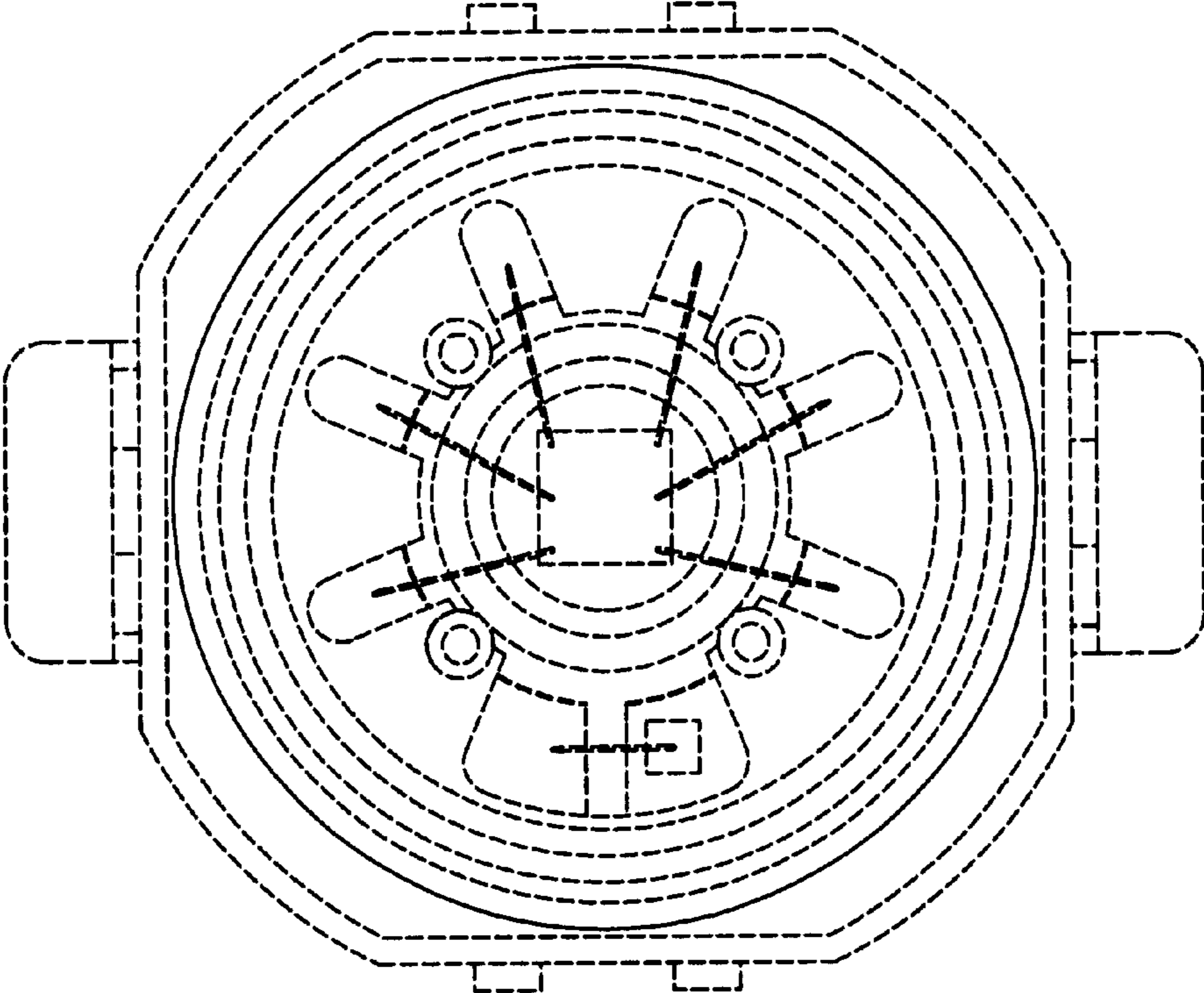


Figure 2

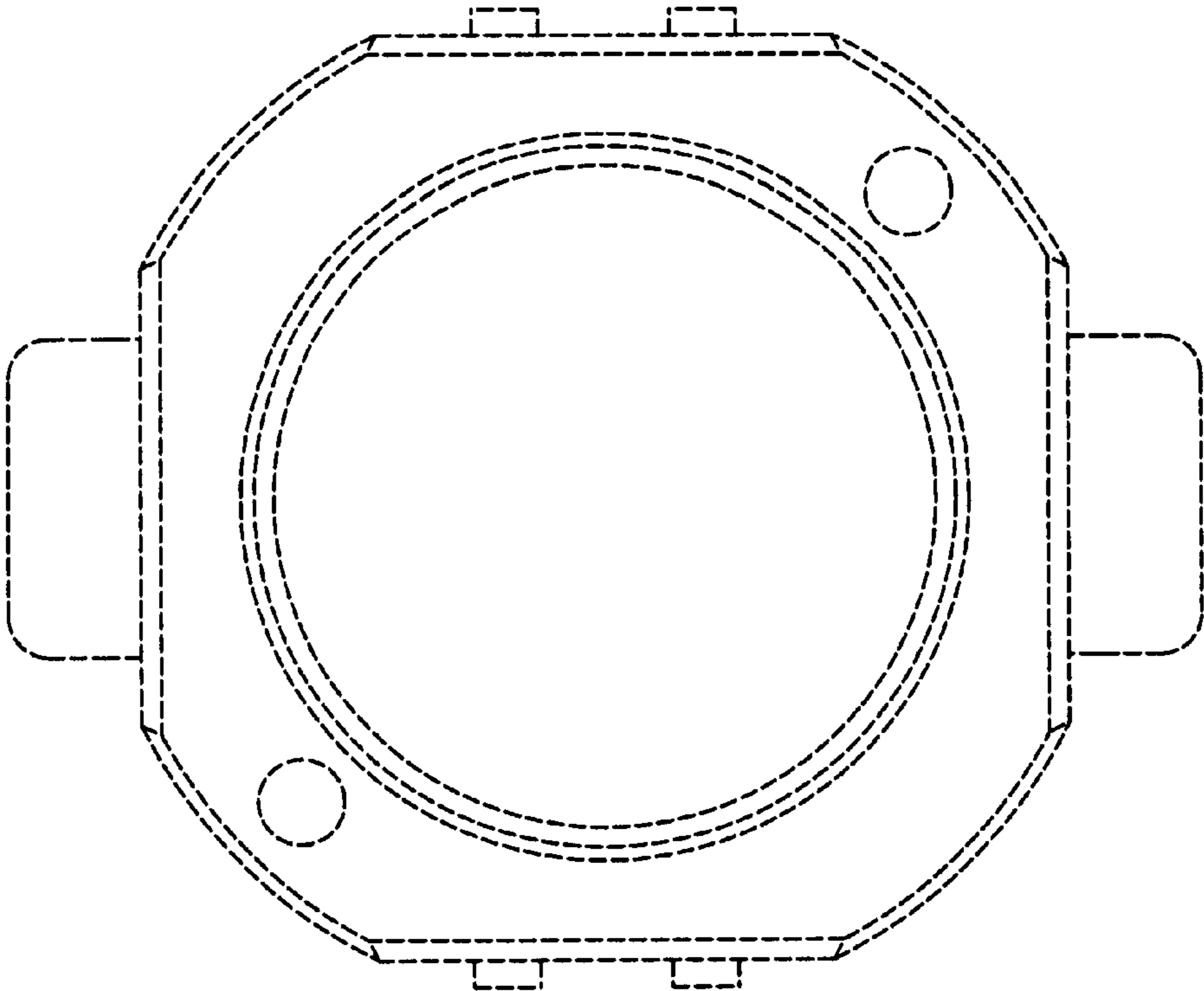


Figure 3

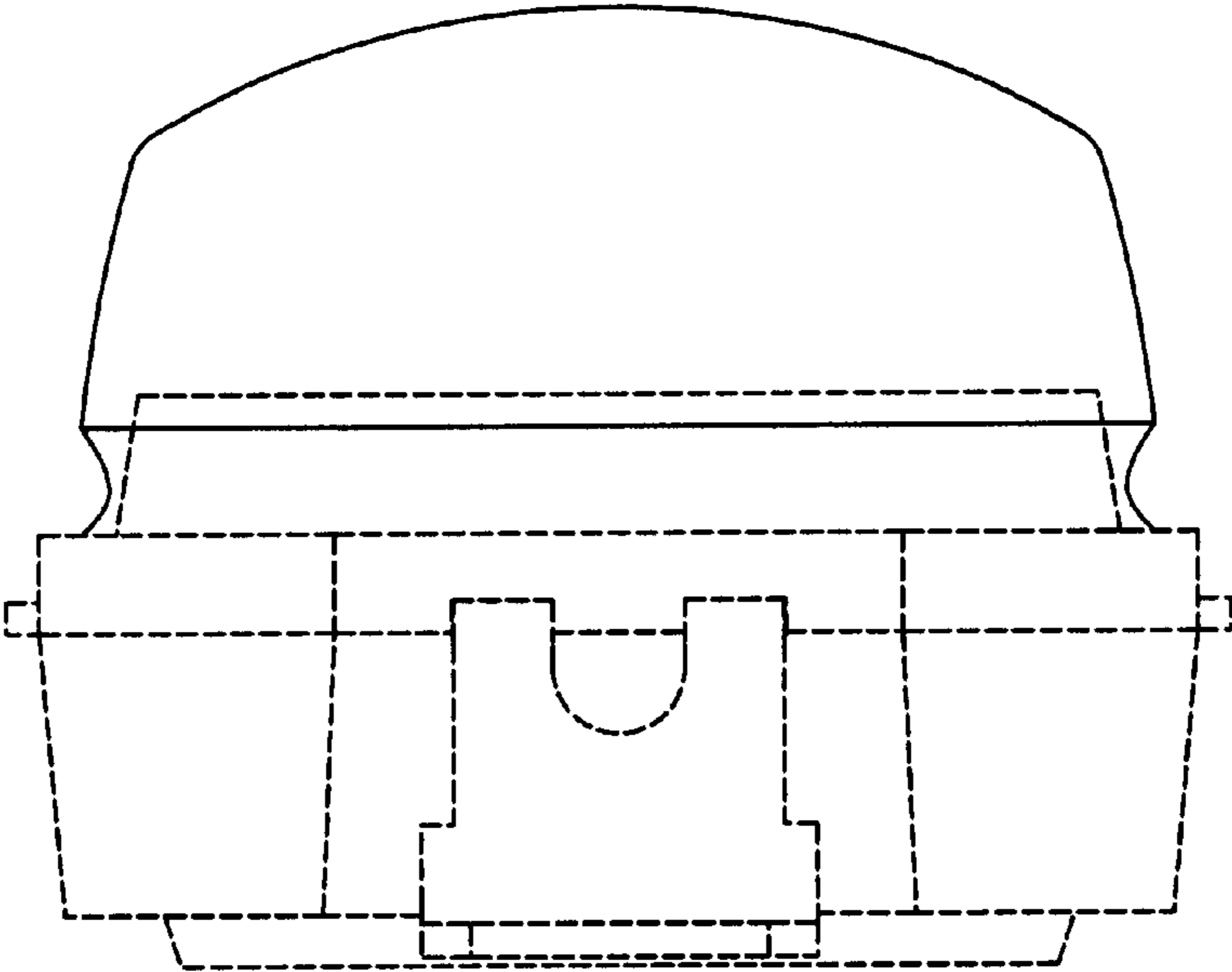


Figure 4

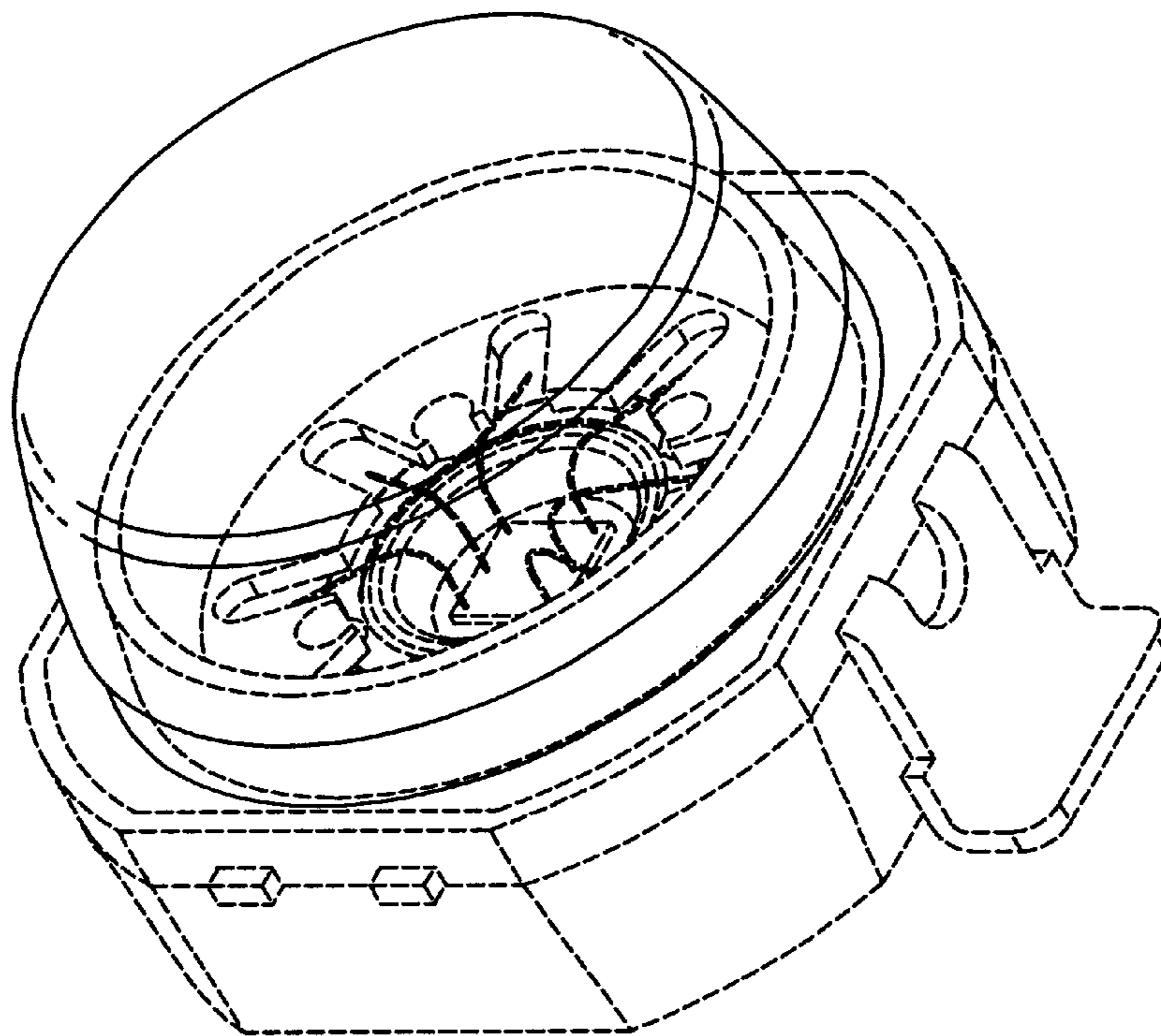


Figure 5