

US00D503688S

(12) **United States Design Patent**
Stadelmann

(10) **Patent No.:** **US D503,688 S**

(45) **Date of Patent:** **** Apr. 5, 2005**

(54) **ELECTRICAL LOGIC ELEMENT WITH RELIEF SYMBOL**

(75) **Inventor:** **Mathias Stadelmann**, Heimenkirch (DE)

(73) **Assignee:** **Demmel AG**, Scheidegg (DE)

(**) **Term:** **14 Years**

(21) **Appl. No.:** **29/173,317**

(22) **Filed:** **Dec. 26, 2002**

(30) **Foreign Application Priority Data**

Jul. 3, 2002 (DE) 402 05 614

(51) **LOC (7) Cl.** **13-03**

(52) **U.S. Cl.** **D13/171; D14/240**

(58) **Field of Search** D13/171, 158, D13/182; D14/140, 240, 250, 247; 379/402, 419, 440, 428.01

(56) **References Cited**

U.S. PATENT DOCUMENTS

- 4,845,748 A * 7/1989 Bohannon 379/368
- 4,875,234 A * 10/1989 Tragatschnig 379/434
- 5,107,404 A * 4/1992 Tam 361/818
- D442,149 S * 5/2001 Kang D13/182
- D447,132 S * 8/2001 Williams D14/247
- D451,912 S * 12/2001 Higashi et al. D14/247
- D453,746 S * 2/2002 Kato et al. D13/182

- D456,367 S * 4/2002 Matteson D13/182
- D457,146 S * 5/2002 Yamamoto et al. D13/182
- D465,772 S * 11/2002 Poulter et al. D13/182
- 6,628,430 B1 * 9/2003 Silverbrook et al. 358/473

* cited by examiner

Primary Examiner—Philip S. Hyder

(74) *Attorney, Agent, or Firm*—Baker & Daniels

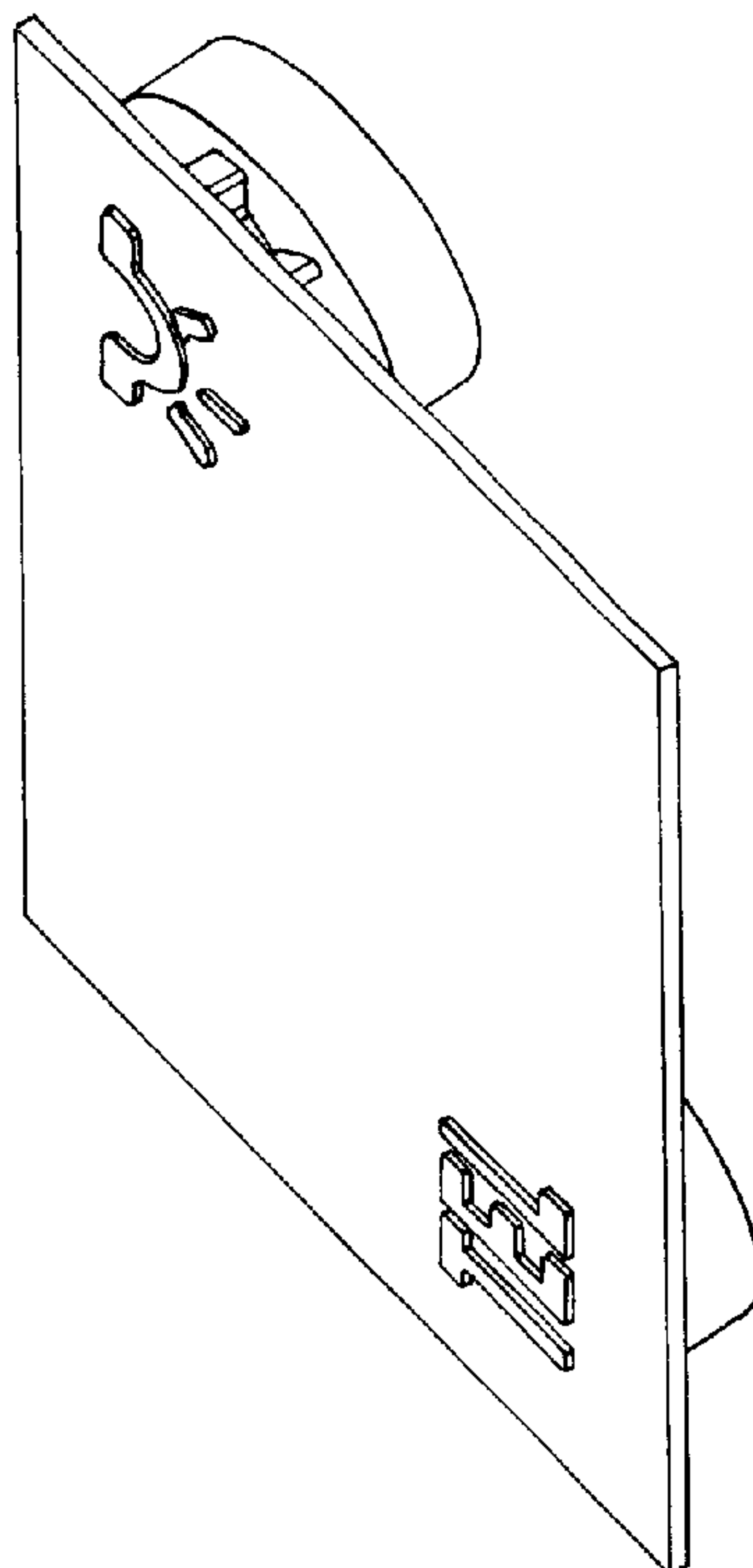
(57) **CLAIM**

The ornamental design of an electrical logic element with relief symbol, as shown and described.

DESCRIPTION

FIG. 1 is a top perspective view of an electrical logic element with relief symbol showing my new design and showing one of the components in a first position;
 FIG. 2 is a top perspective view thereof showing one of the components in a second position;
 FIG. 3 a top perspective view thereof showing the components in a third position;
 FIG. 4 is a side perspective view thereof showing the components in the third position;
 FIG. 5 is a side perspective view thereof showing the components in a different position;
 FIG. 6 is a top perspective view thereof showing the components in yet a further different position;
 FIG. 7 is a partially exploded bottom perspective view; and,
 FIG. 8 is a fully exploded bottom perspective view.

1 Claim, 8 Drawing Sheets



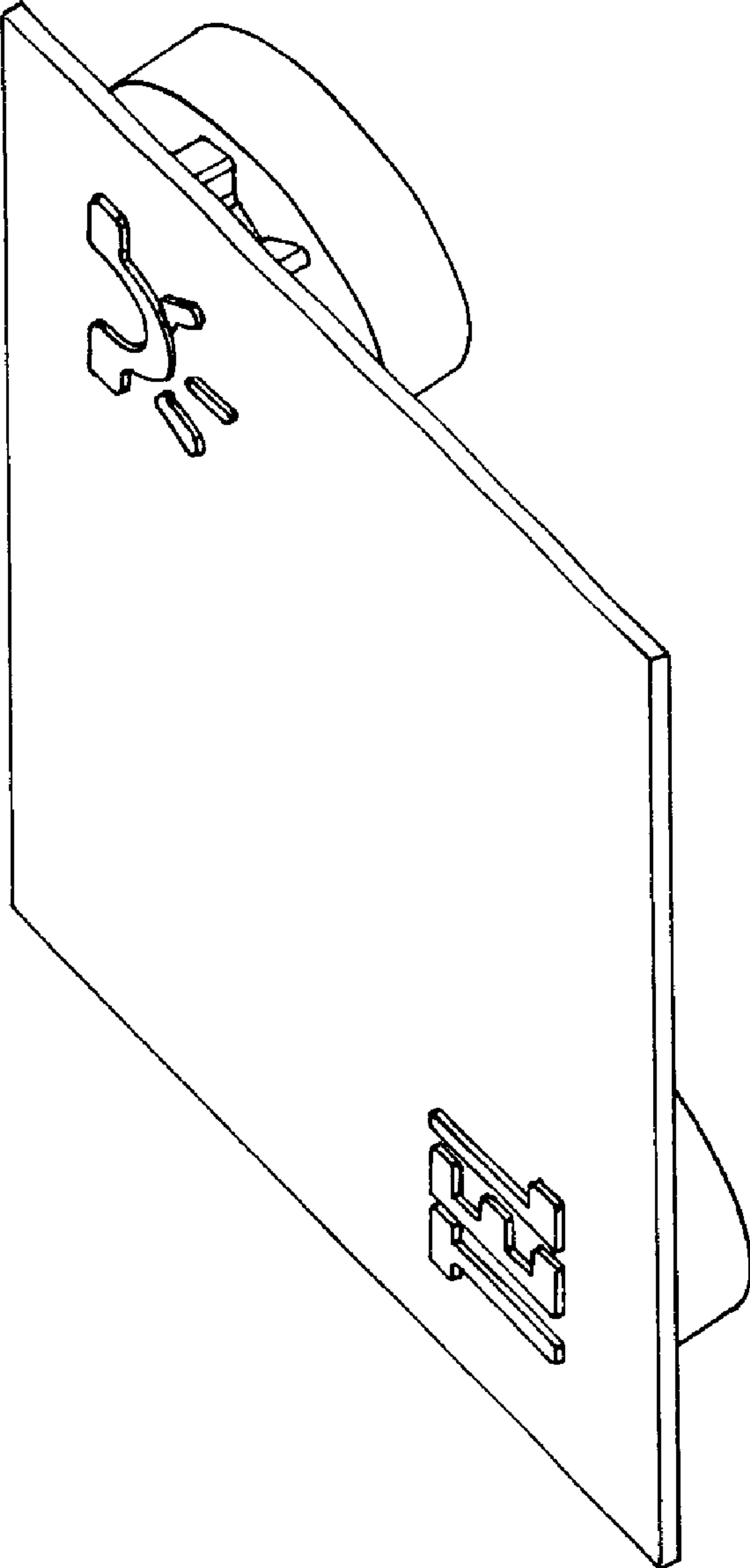


FIG. 1

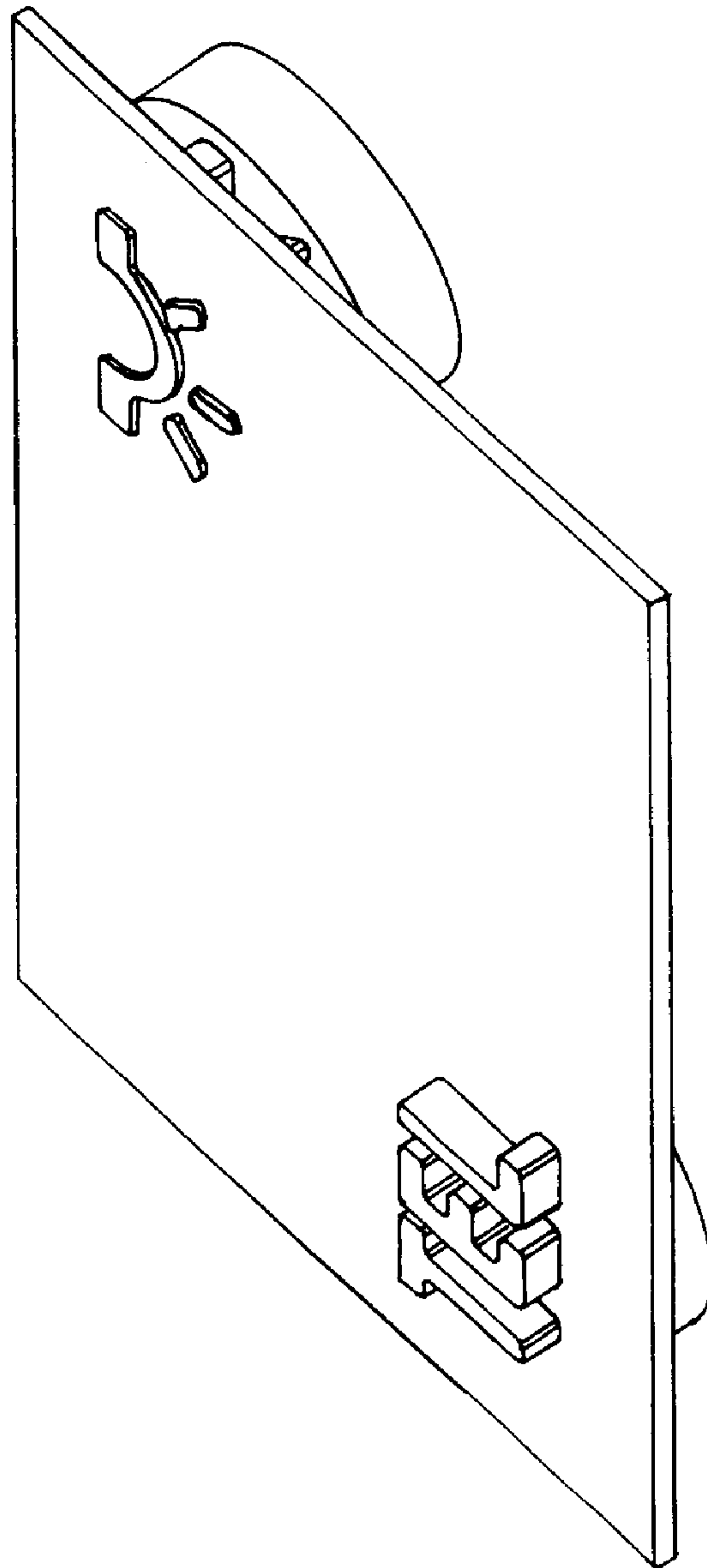


FIG. 2

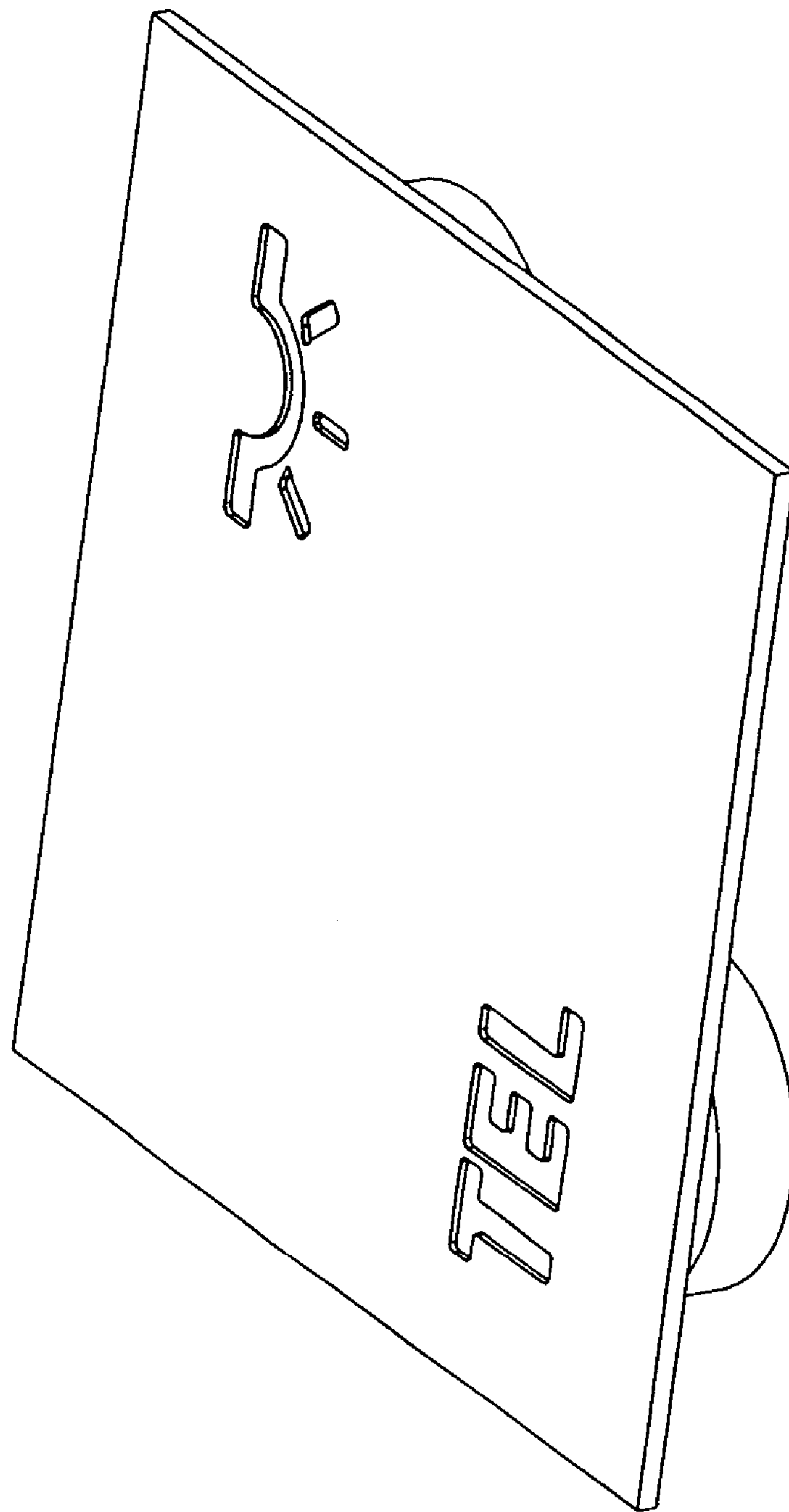


FIG. 3

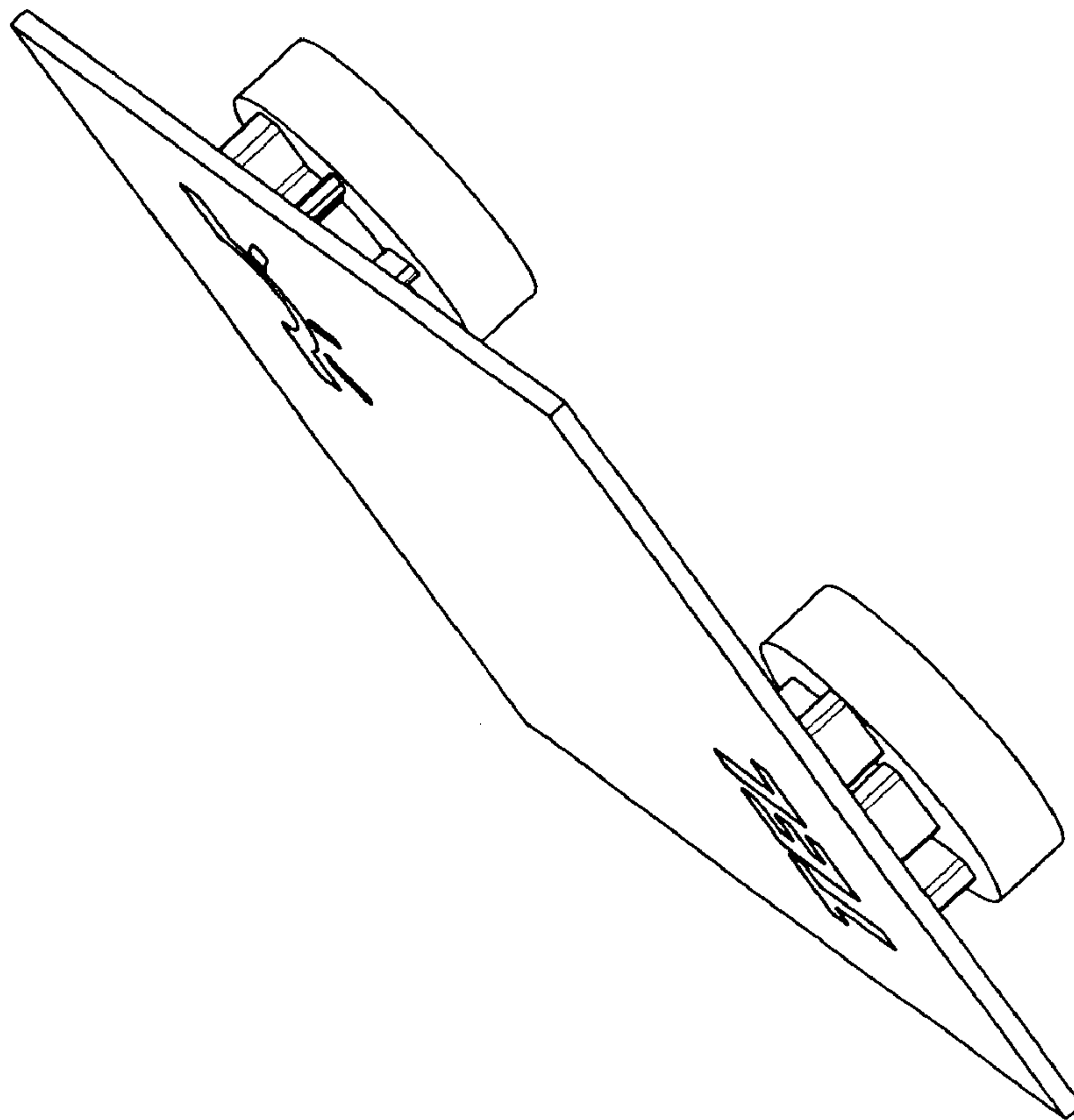


FIG. 4

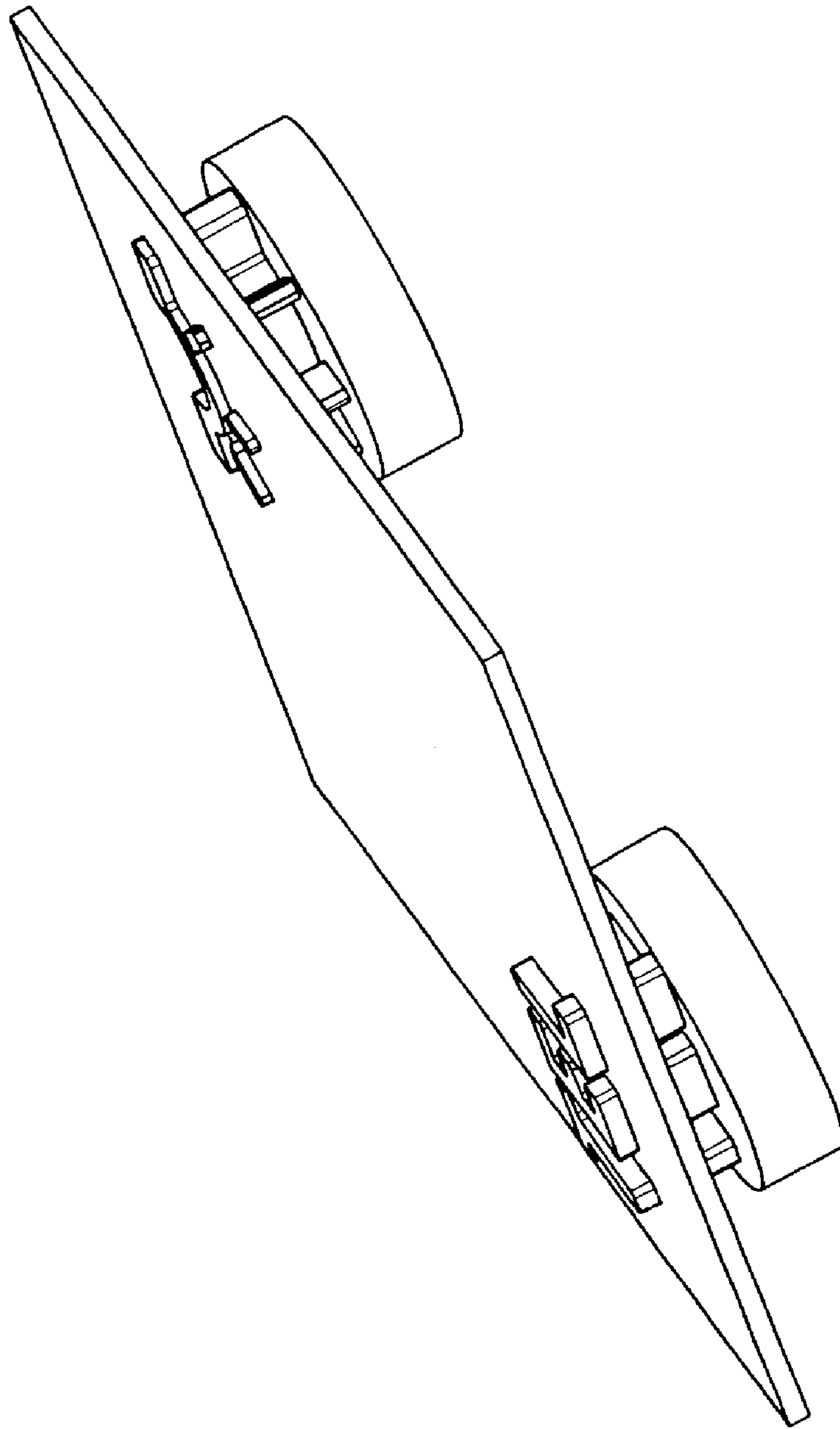


FIG. 5

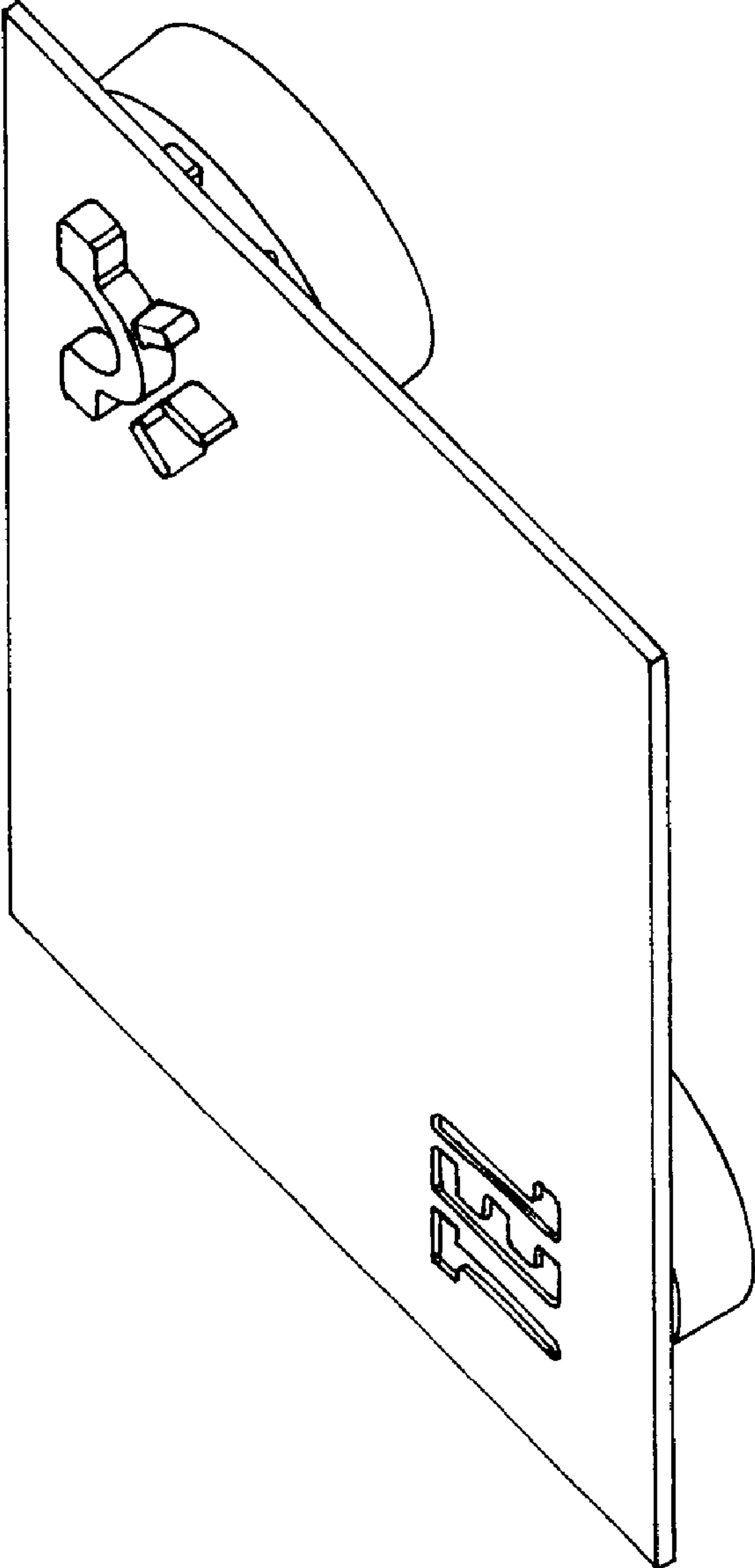


FIG. 6

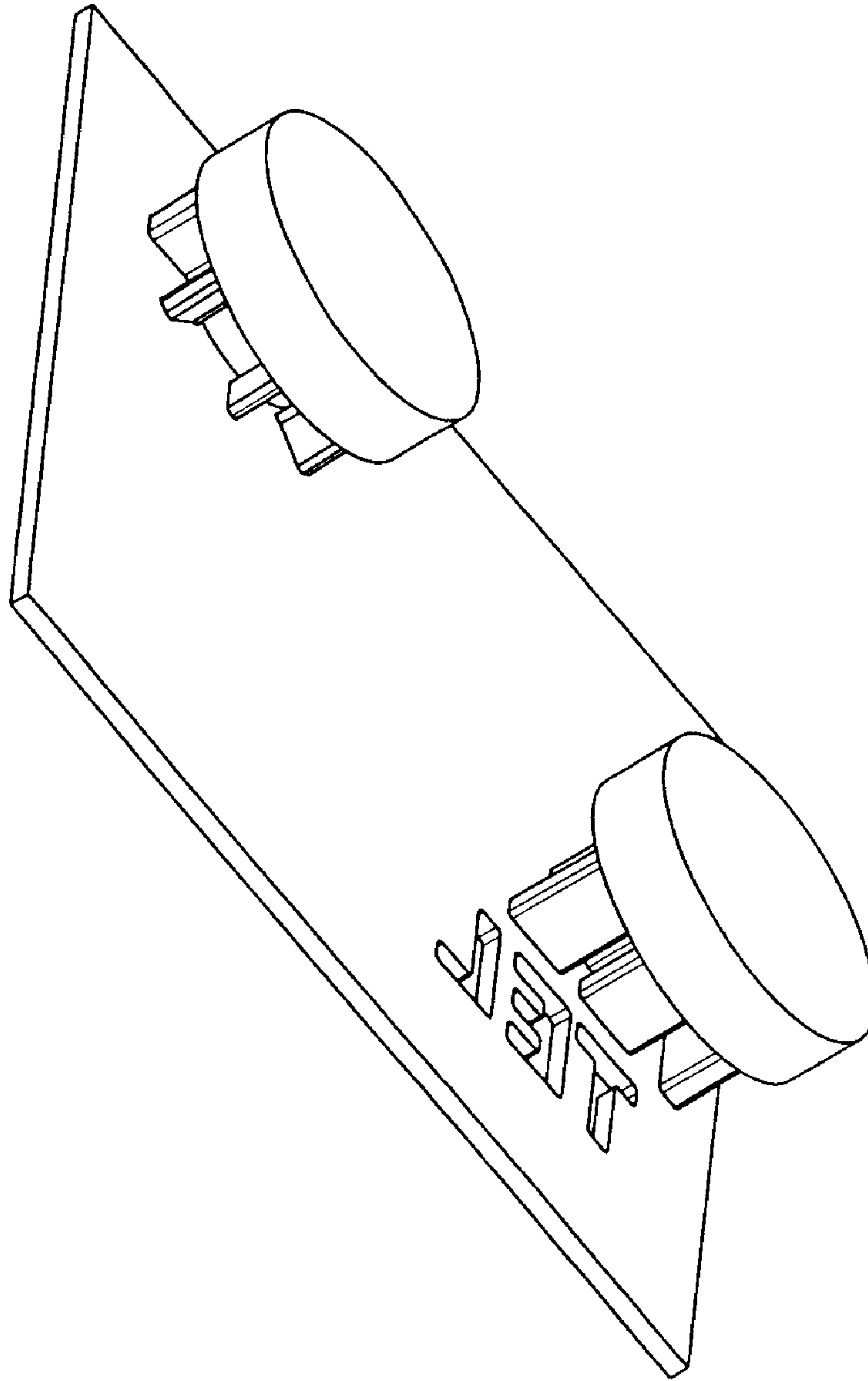


FIG. 7

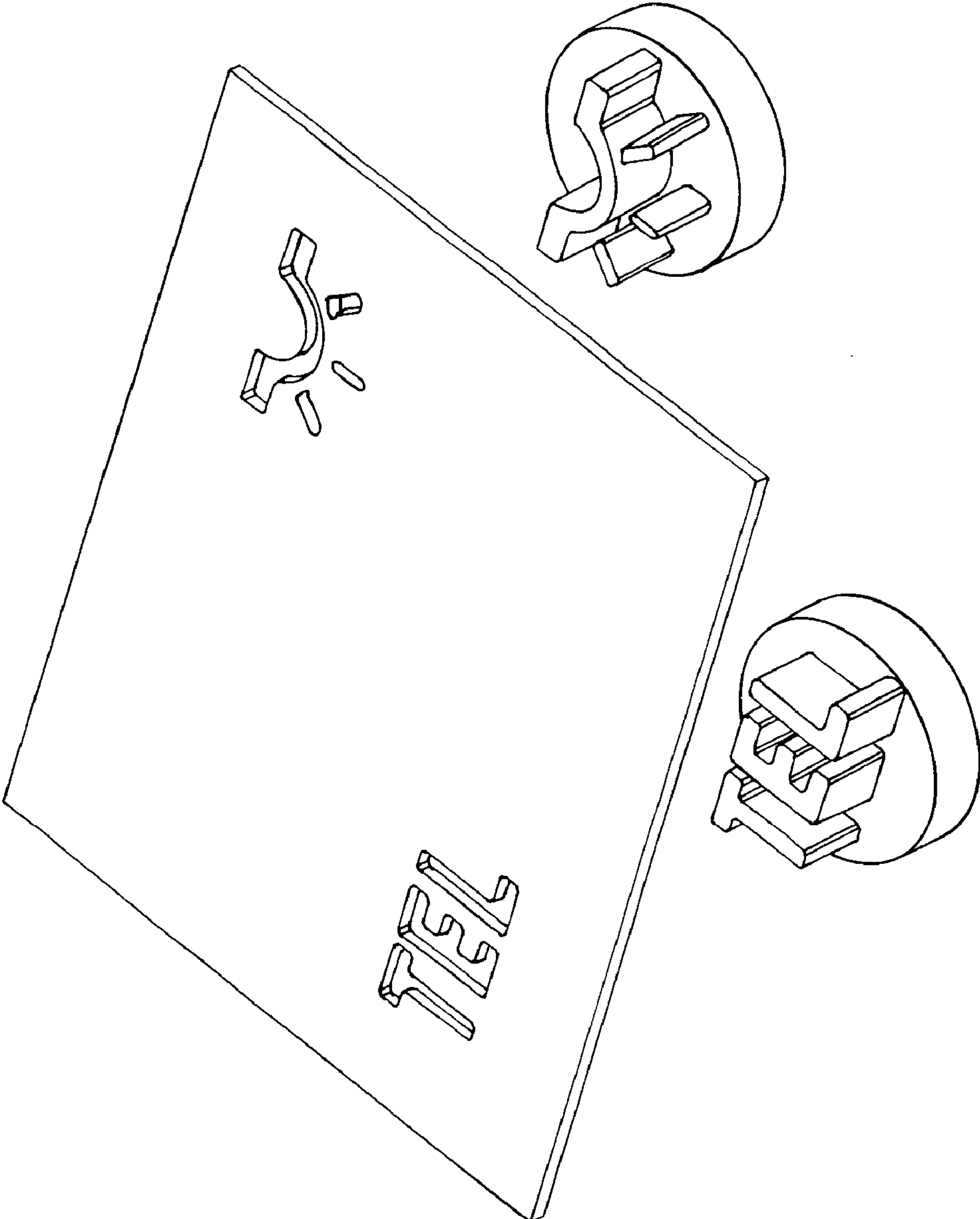


FIG. 8