



US00D503685S

(12) **United States Design Patent**
Montena

(10) **Patent No.:** **US D503,685 S**

(45) **Date of Patent:** **** Apr. 5, 2005**

(54) **CO-AXIAL CABLE CONNECTOR**

(75) **Inventor:** **Noah P. Montena**, Syracuse, NY (US)

(73) **Assignee:** **John Mezzalingua Associates, Inc.**,
East Syracuse, NY (US)

(**) **Term:** **14 Years**

(21) **Appl. No.:** **29/209,461**

(22) **Filed:** **Jul. 16, 2004**

(51) **LOC (7) Cl.** **13-03**

(52) **U.S. Cl.** **D13/154**

(58) **Field of Search** D13/146, 154,
D13/133; 439/578, 580, 583-585, 174,
175

(56) **References Cited**

U.S. PATENT DOCUMENTS

4,596,432 A * 6/1986 Tighe, Jr. 439/466
4,611,213 A * 9/1986 Johnson et al. 343/702

4,616,900 A * 10/1986 Cairns 385/73
2004/0161970 A1 * 8/2004 Wlos et al. 439/578

* cited by examiner

Primary Examiner—Alan P. Douglas

Assistant Examiner—Cynthia Chin

(74) *Attorney, Agent, or Firm*—Schmeiser, Olsen & Watts

(57) **CLAIM**

The ornamental design for a co-axial cable connector, as shown and described.

DESCRIPTION

FIG. 1 is a perspective view of a co-axial cable connector showing my new design;

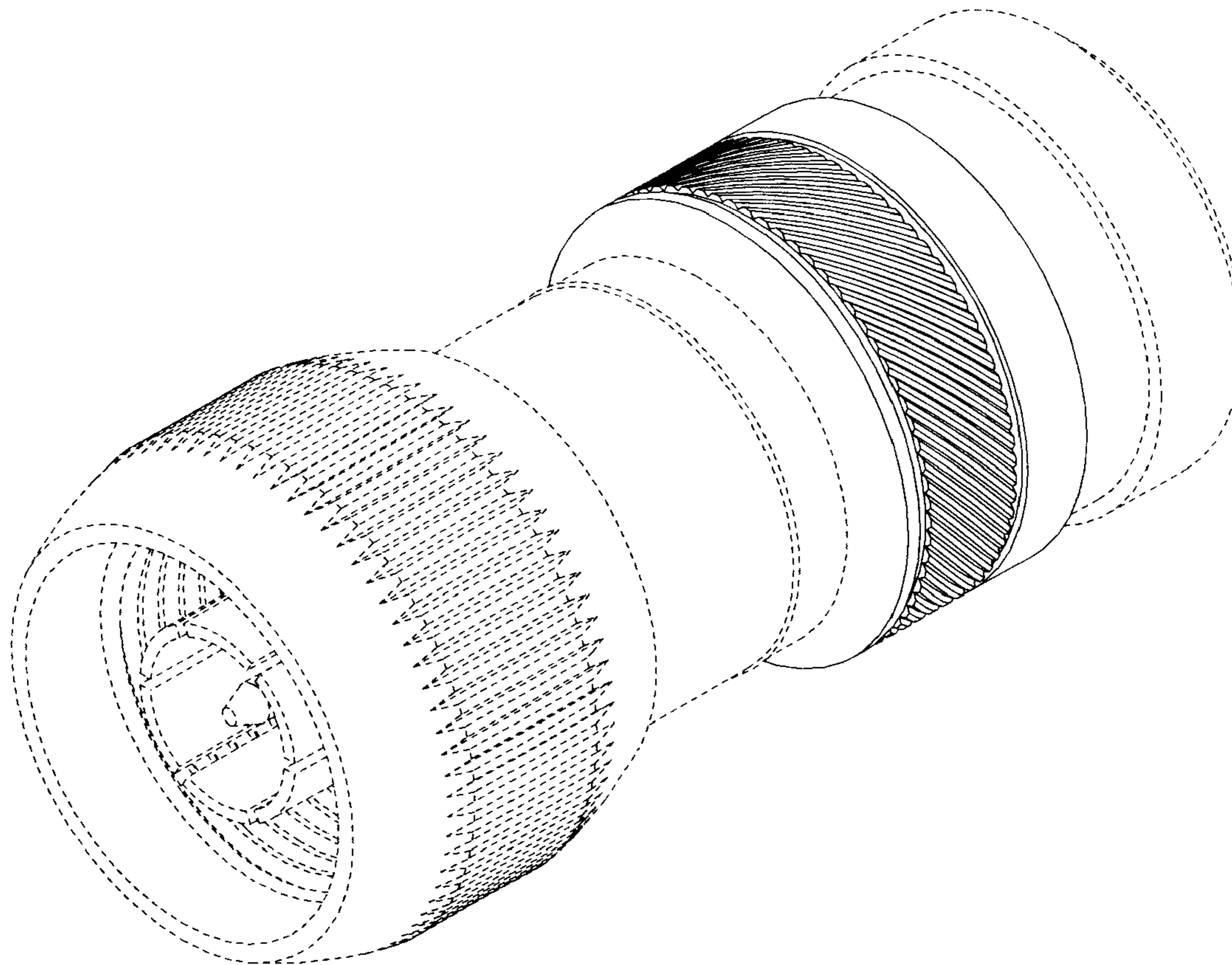
FIG. 2 is a side elevational view thereof, the other side, top plan and bottom plan views being mirror images;

FIG. 3 is a left end view of FIG. 1; and,

FIG. 4 is a right end view of FIG. 1.

The broken lines depict environmental structure and form no part of the claimed design.

1 Claim, 4 Drawing Sheets



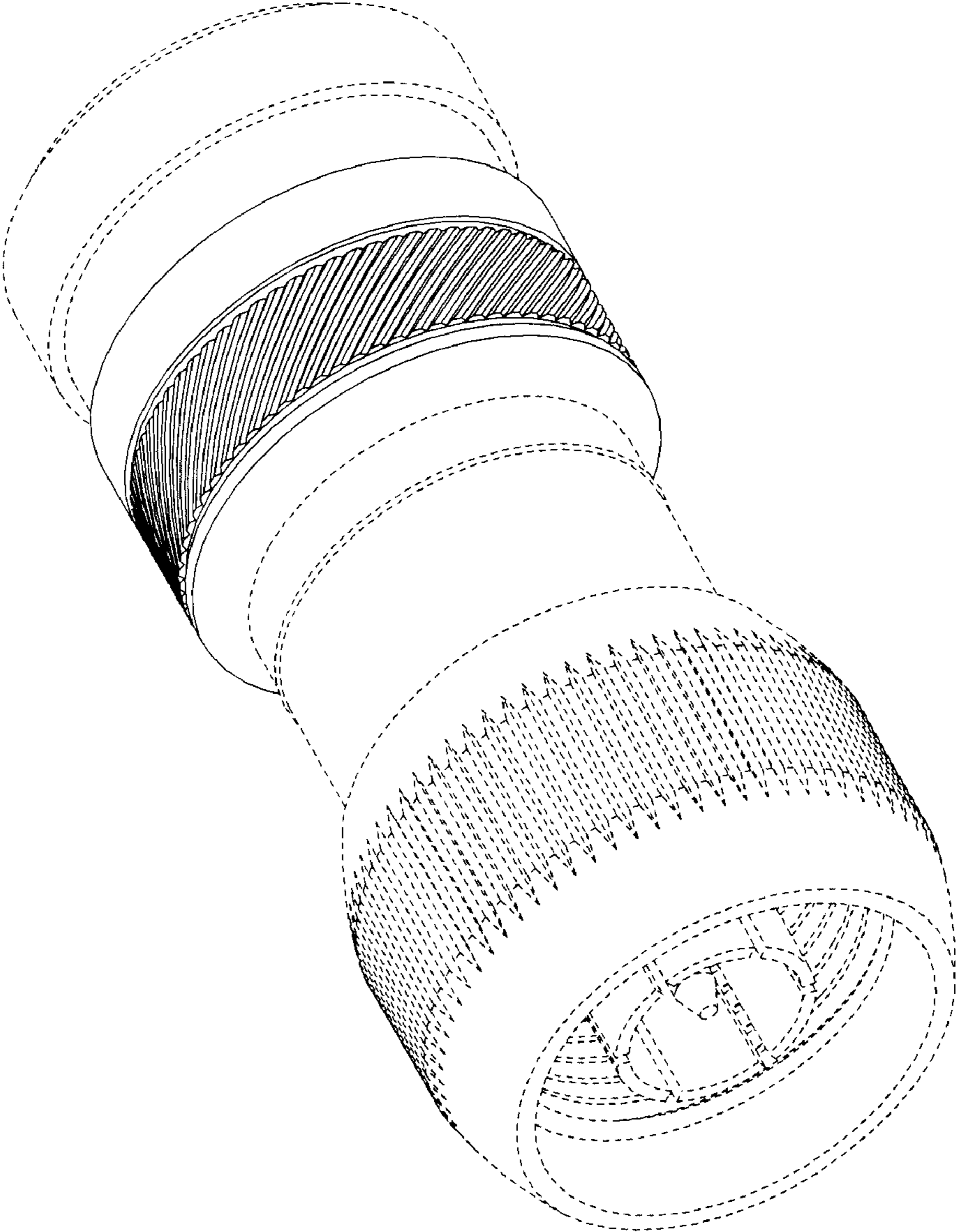


FIG. 1

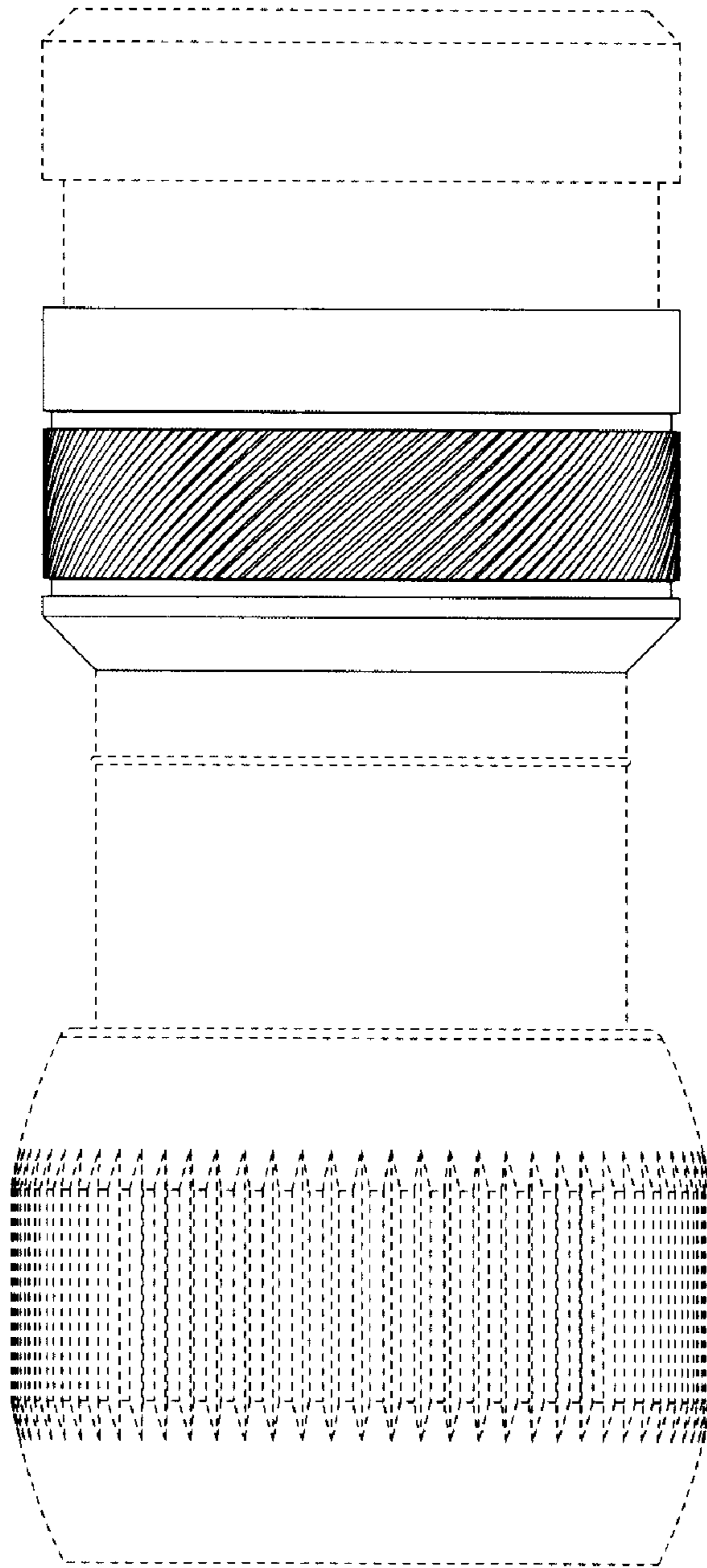


FIG. 2

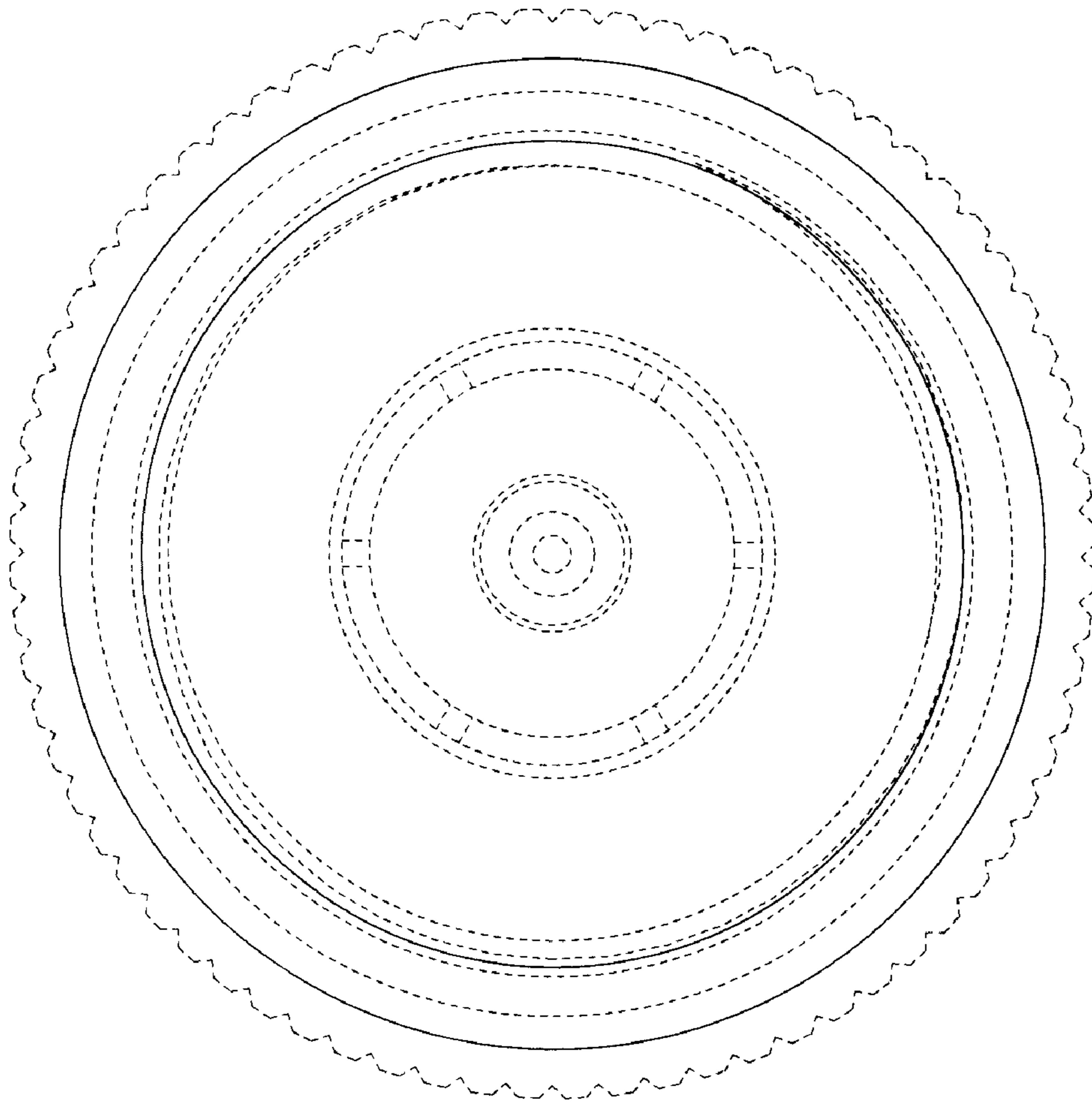


FIG. 3

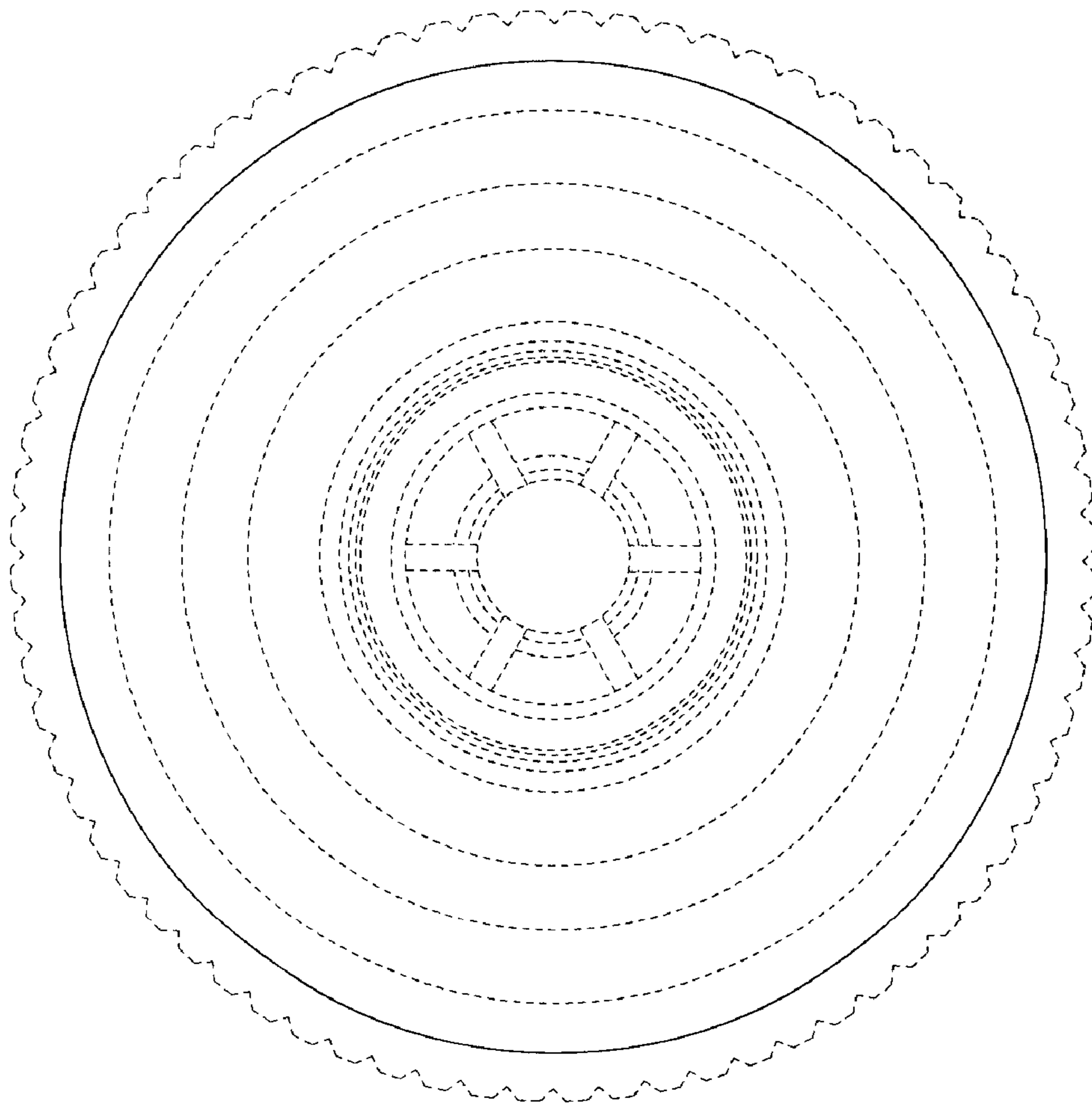


FIG. 4