



US00D503683S

(12) **United States Design Patent**
Wang

(10) **Patent No.:** **US D503,683 S**

(45) **Date of Patent:** **** Apr. 5, 2005**

(54) **ELECTRICAL CONNECTOR**

D486,794 S * 2/2004 Okamoto D13/147
6,783,397 B2 * 8/2004 Yang Lee 439/607

(75) Inventor: **Eric Wang**, Taipei Hsien (TW)

* cited by examiner

(73) Assignee: **Advanced Connection Technology, Inc.**, Taipei Hsien (TW)

Primary Examiner—Stella Reid
Assistant Examiner—Selina Sikder

(**) Term: **14 Years**

(74) *Attorney, Agent, or Firm*—Baker Botts LLP

(21) Appl. No.: **29/204,966**

(22) Filed: **May 7, 2004**

(57) **CLAIM**

The ornamental design for electrical connector, as shown and described.

(51) **LOC (7) Cl.** **13-03**

DESCRIPTION

(52) **U.S. Cl.** **D13/147**

FIG. 1 is a perspective view of an electrical connector showing my new design;

(58) **Field of Search** D13/146, 147;

FIG. 2 is a front elevational view thereof;

439/108, 578, 607-610

FIG. 3 is a rear elevational view thereof;

(56) **References Cited**

U.S. PATENT DOCUMENTS

- 6,039,606 A * 3/2000 Chiou 439/610
- 6,200,162 B1 * 3/2001 Aoyama et al. 439/578
- 6,280,209 B1 * 8/2001 Bassler et al. 439/101

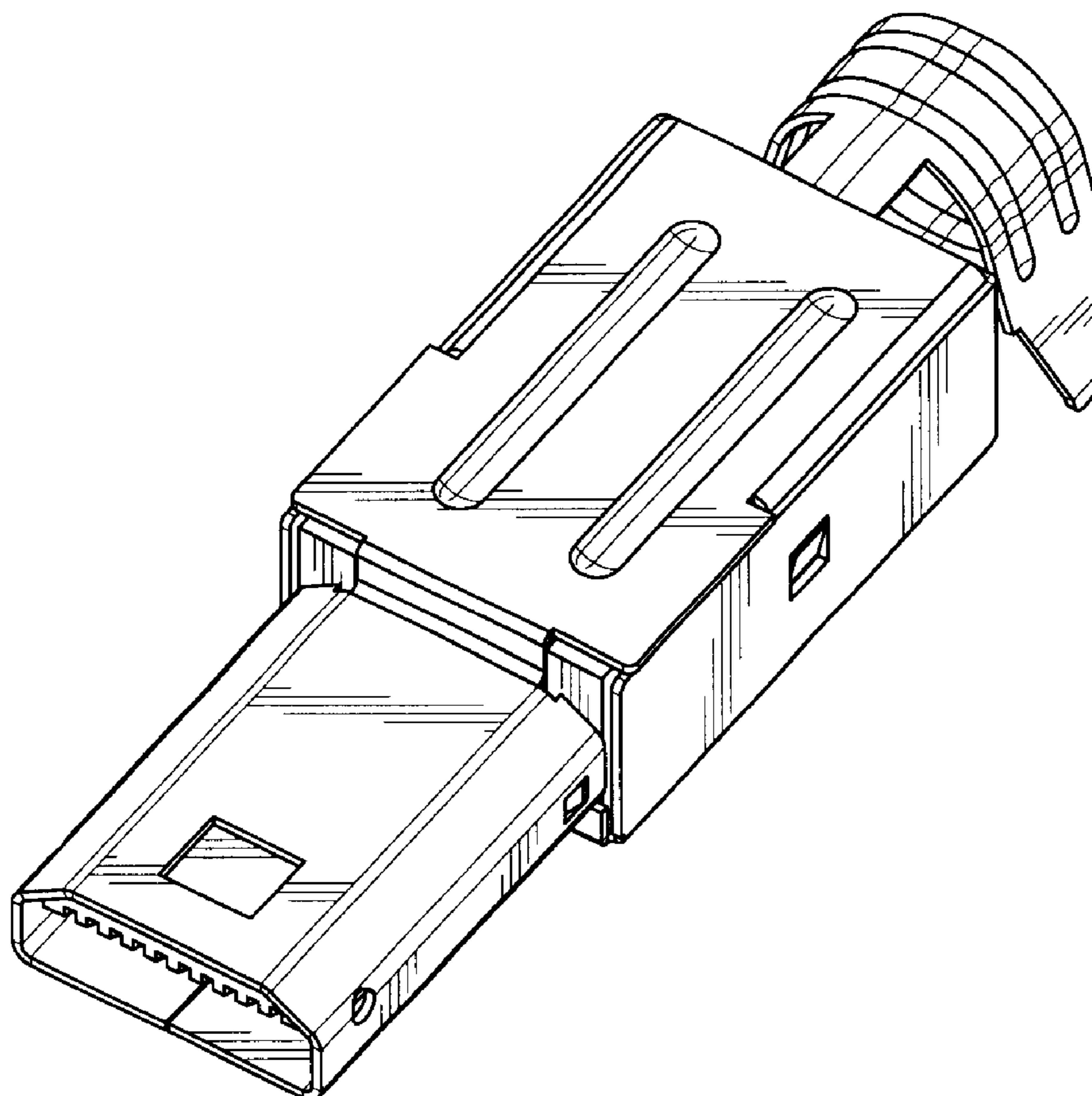
FIG. 4 is a left side elevational view thereof;

FIG. 5 is a right side elevational view thereof;

FIG. 6 is a top plan view thereof; and,

FIG. 7 is a bottom plan view thereof.

1 Claim, 3 Drawing Sheets



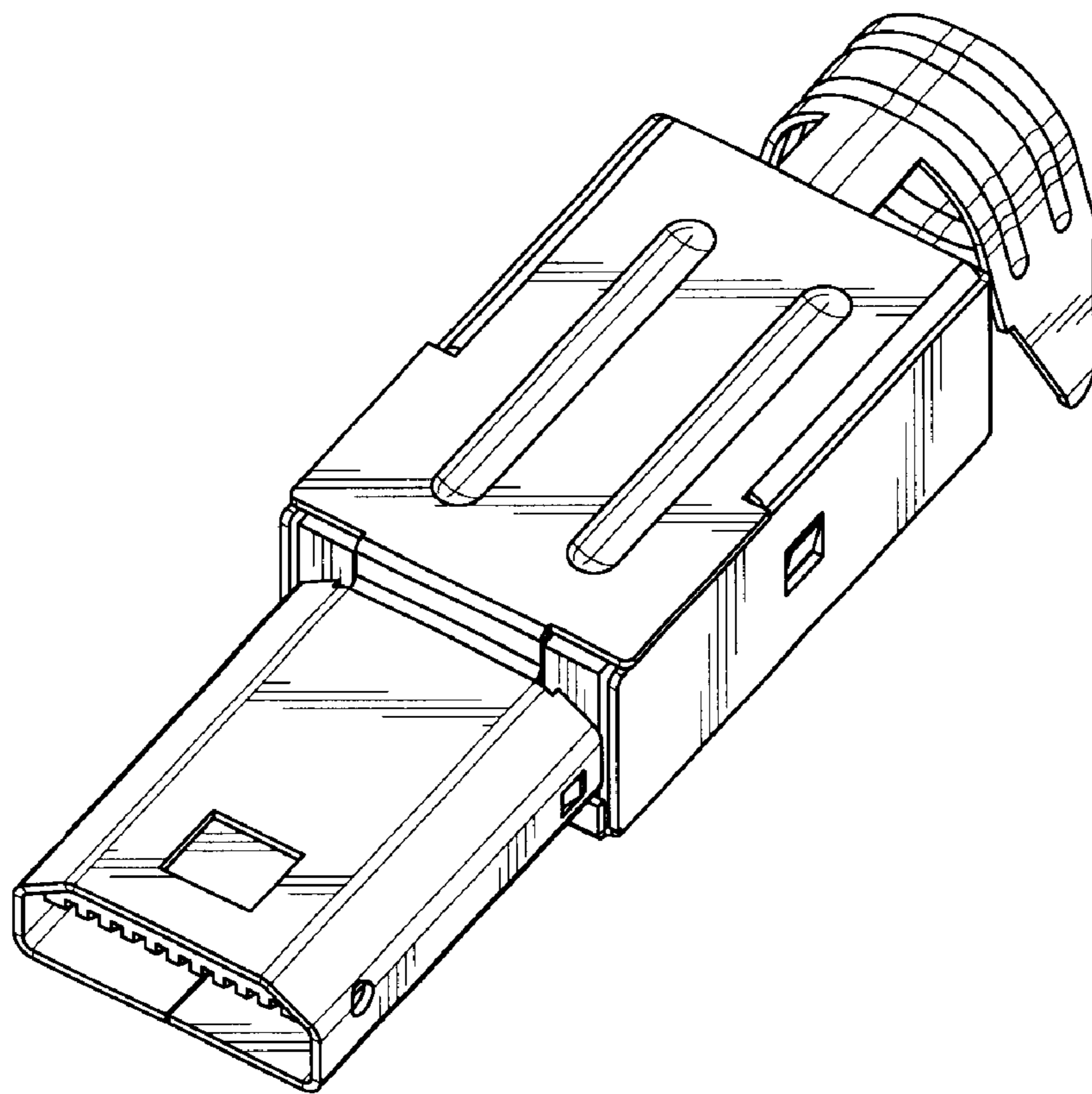


FIG. 1

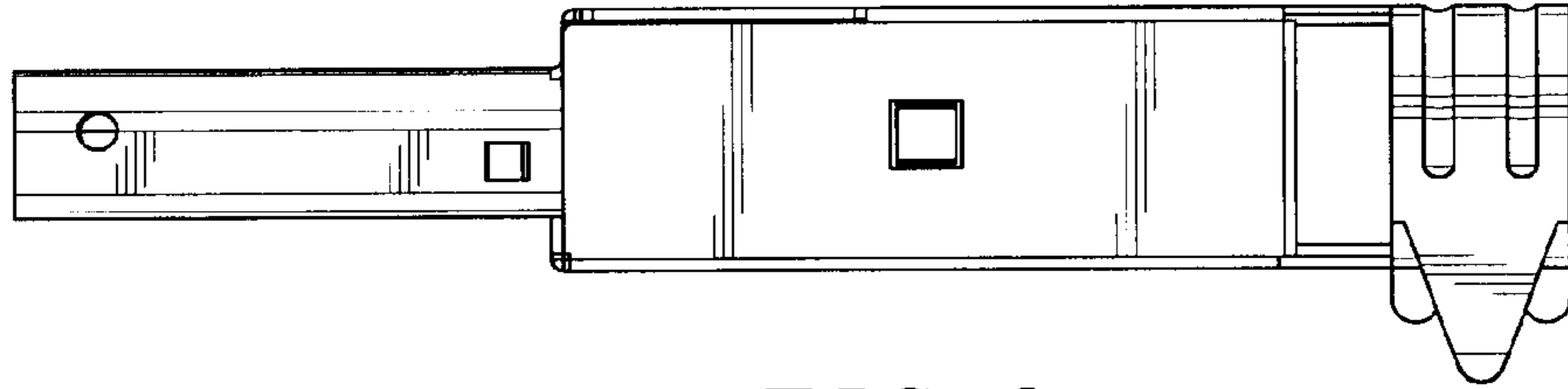


FIG. 2

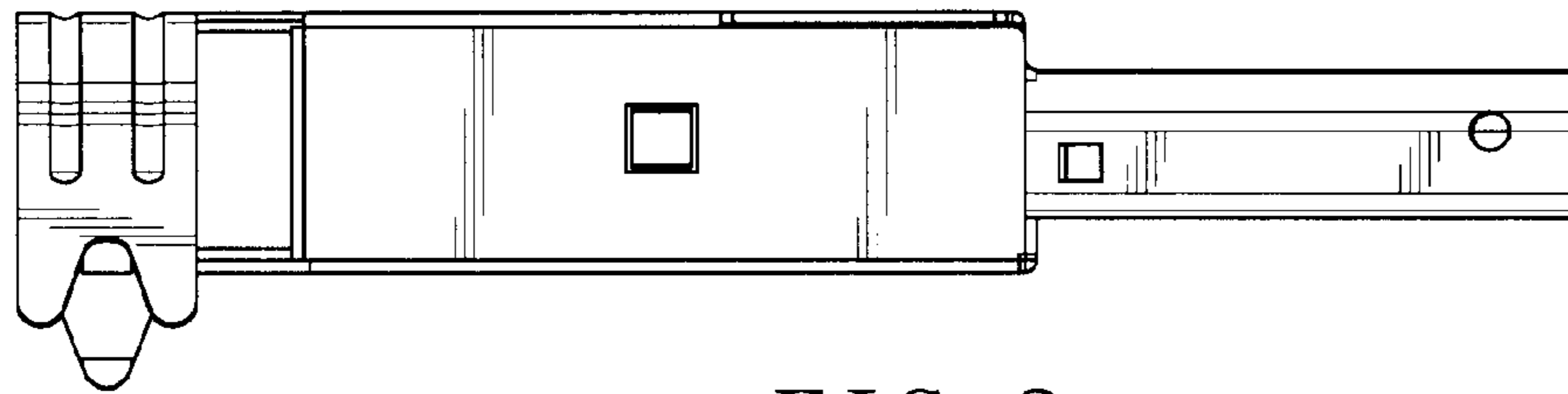


FIG. 3

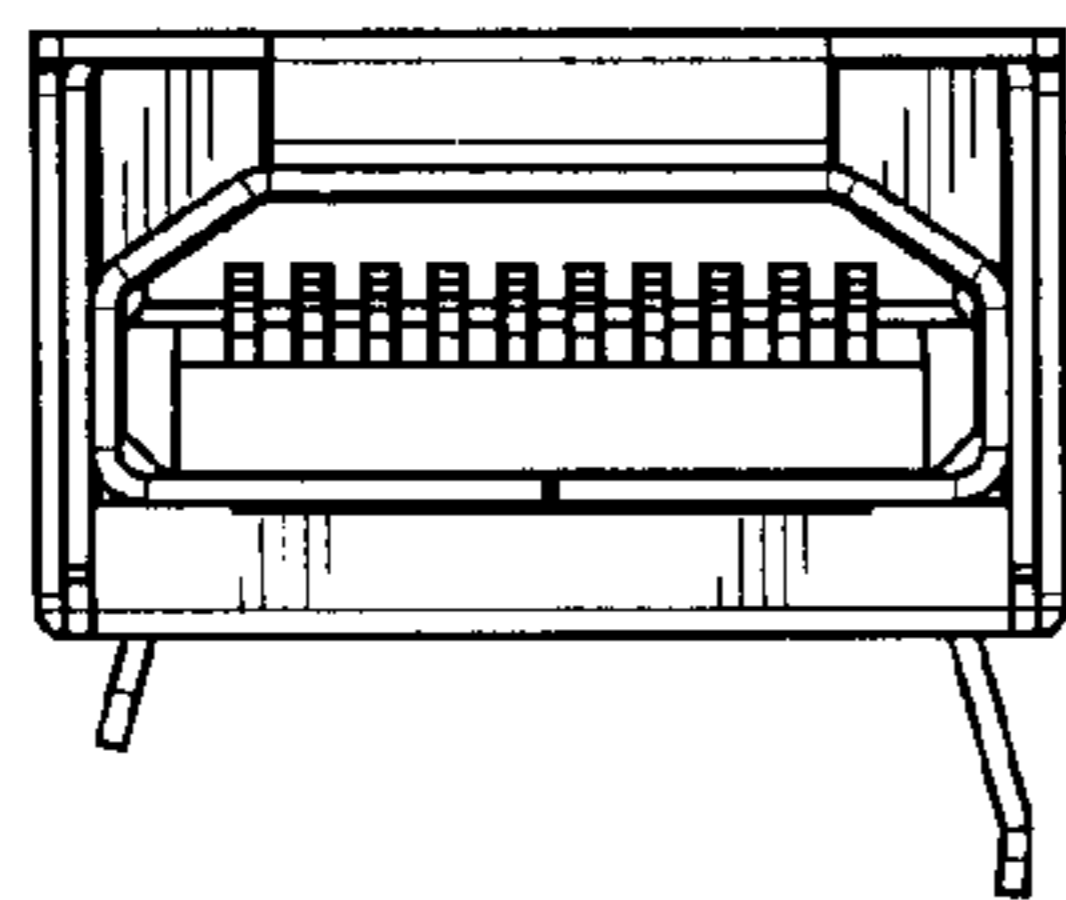


FIG. 4

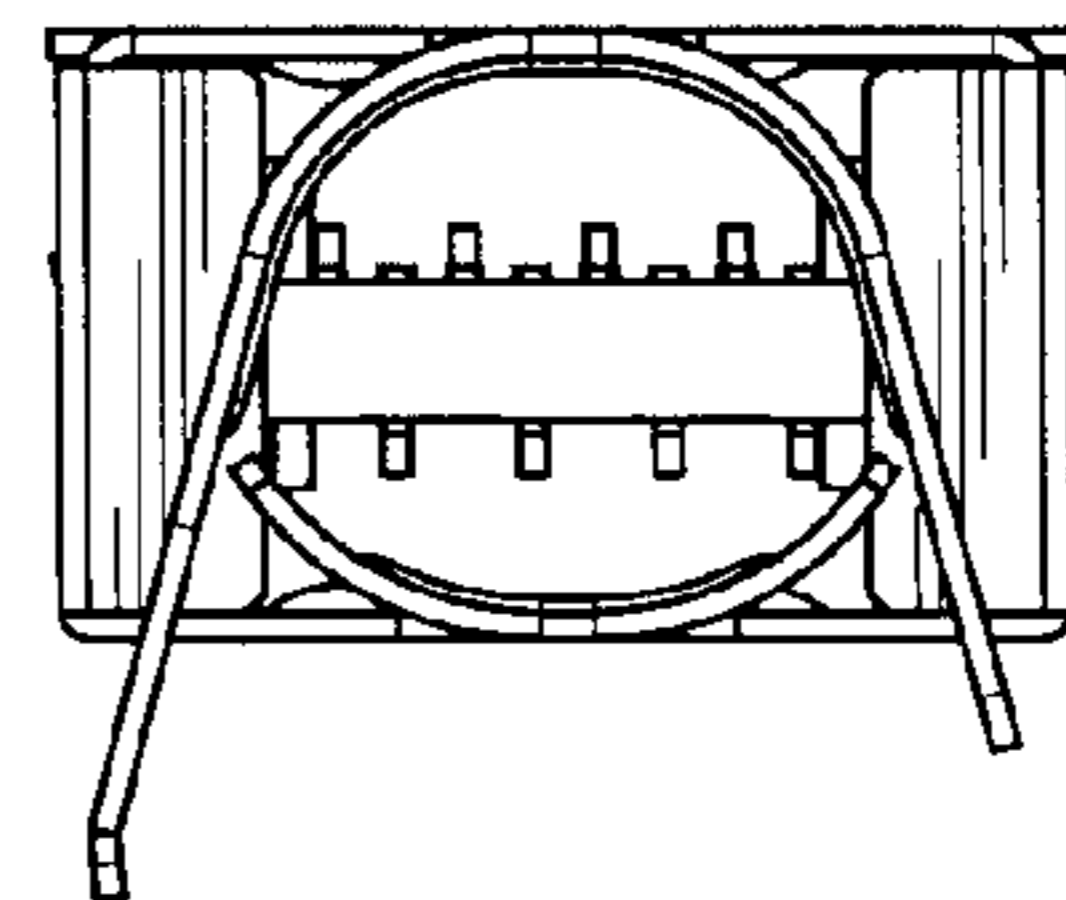


FIG. 5

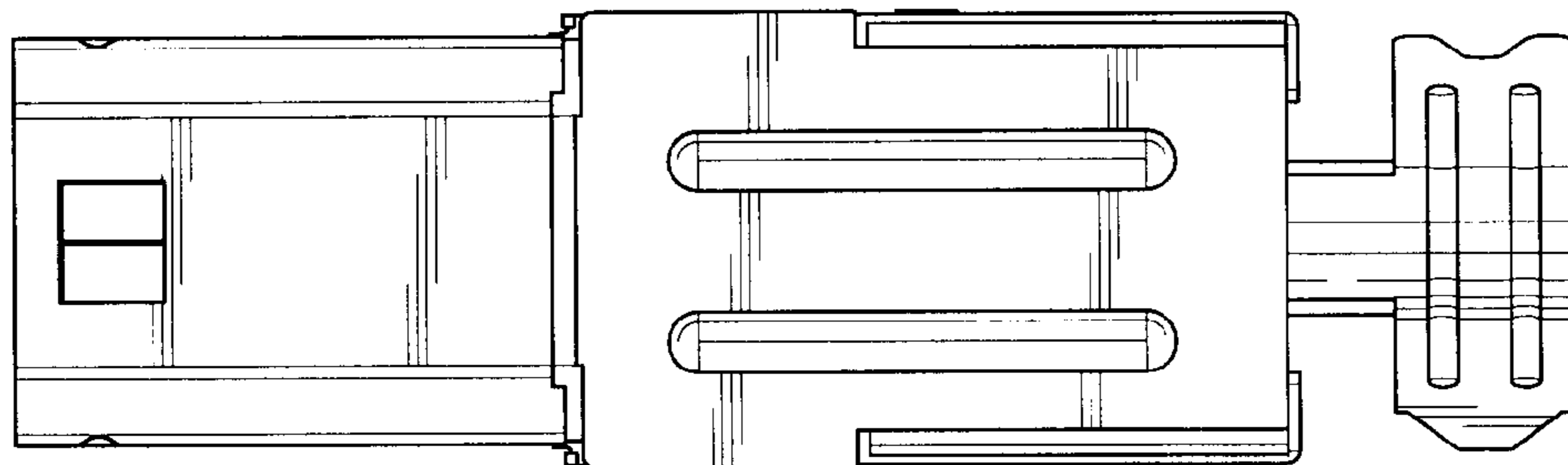


FIG. 6

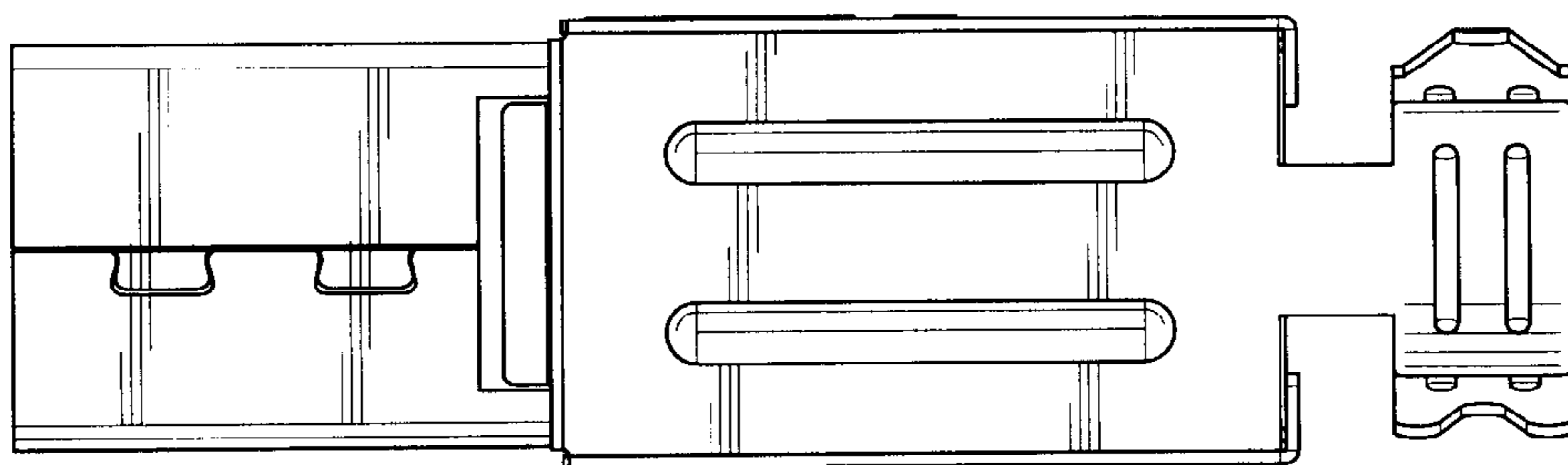


FIG. 7