

US00D503681S

(12) **United States Design Patent**  
**Huang**

(10) **Patent No.:** **US D503,681 S**  
(45) **Date of Patent:** **\*\* Apr. 5, 2005**

(54) **CONNECTOR**

(76) **Inventor:** **George Ying-Liang Huang**, 8F, No. 435, Rei-Kuang Rd. Nei-Hu Dist., Taipei City (TW)

(\*\*) **Term:** **14 Years**

(21) **Appl. No.:** **29/196,402**

(22) **Filed:** **Dec. 29, 2003**

(30) **Foreign Application Priority Data**

Dec. 9, 2003 (TW) ..... 92307406

(51) **LOC (7) Cl.** ..... **13-03**

(52) **U.S. Cl.** ..... **D13/147**

(58) **Field of Search** ..... D13/133, 146, D13/147; D14/256, 433; 361/119, 818; 439/246, 247, 345, 357, 358, 352, 359, 362, 368, 488-491, 465, 573, 606-608, 610, 638, 654, 660, 676

(56) **References Cited**

**U.S. PATENT DOCUMENTS**

- 4,862,311 A \* 8/1989 Rust et al. .... 361/119
- D319,431 S \* 8/1991 Constien ..... D13/184
- D333,460 S \* 2/1993 Huang ..... D13/147
- D388,768 S \* 1/1998 Cheng ..... D13/147
- 6,287,148 B1 \* 9/2001 Huang ..... 439/610

- 6,339,916 B1 \* 1/2002 Benson ..... 56/10.2 R
- 6,343,957 B1 \* 2/2002 Kuo et al. .... 439/638
- D468,693 S \* 1/2003 Kuo ..... D13/147
- 6,688,903 B2 \* 2/2004 Kakinoki et al. .... 439/362

\* cited by examiner

*Primary Examiner*—Prabhakar Deshmukh

*Assistant Examiner*—Selina Sikder

(74) *Attorney, Agent, or Firm*—Frommer Lawrence & Haug LLP; Ronald R. Santucci

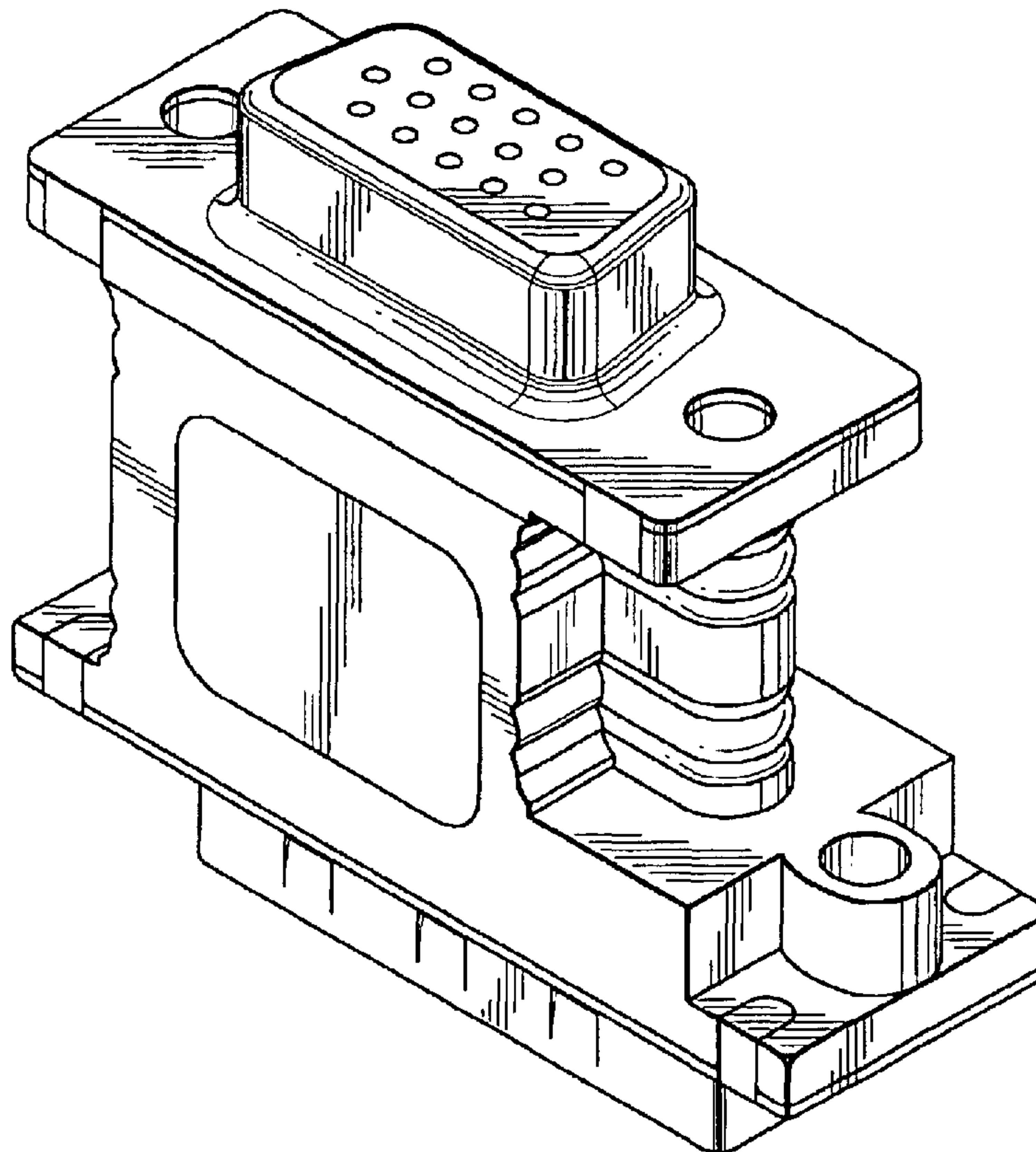
(57) **CLAIM**

The ornamental design for connector, as shown and described.

**DESCRIPTION**

FIG. 1 is a perspective view of connector showing my new design;  
 FIG. 2 is a front elevational view thereof;  
 FIG. 3 is a rear elevational view thereof;  
 FIG. 4 is a left side elevational view thereof;  
 FIG. 5 is a right side elevational view thereof;  
 FIG. 6 is a top plan view thereof;  
 FIG. 7 is a bottom plan view thereof; and,  
 FIG. 8 is another perspective view in use wherein the broken line showing of the environment is for illustrative purpose only and forms no part of the claimed design.

**1 Claim, 5 Drawing Sheets**



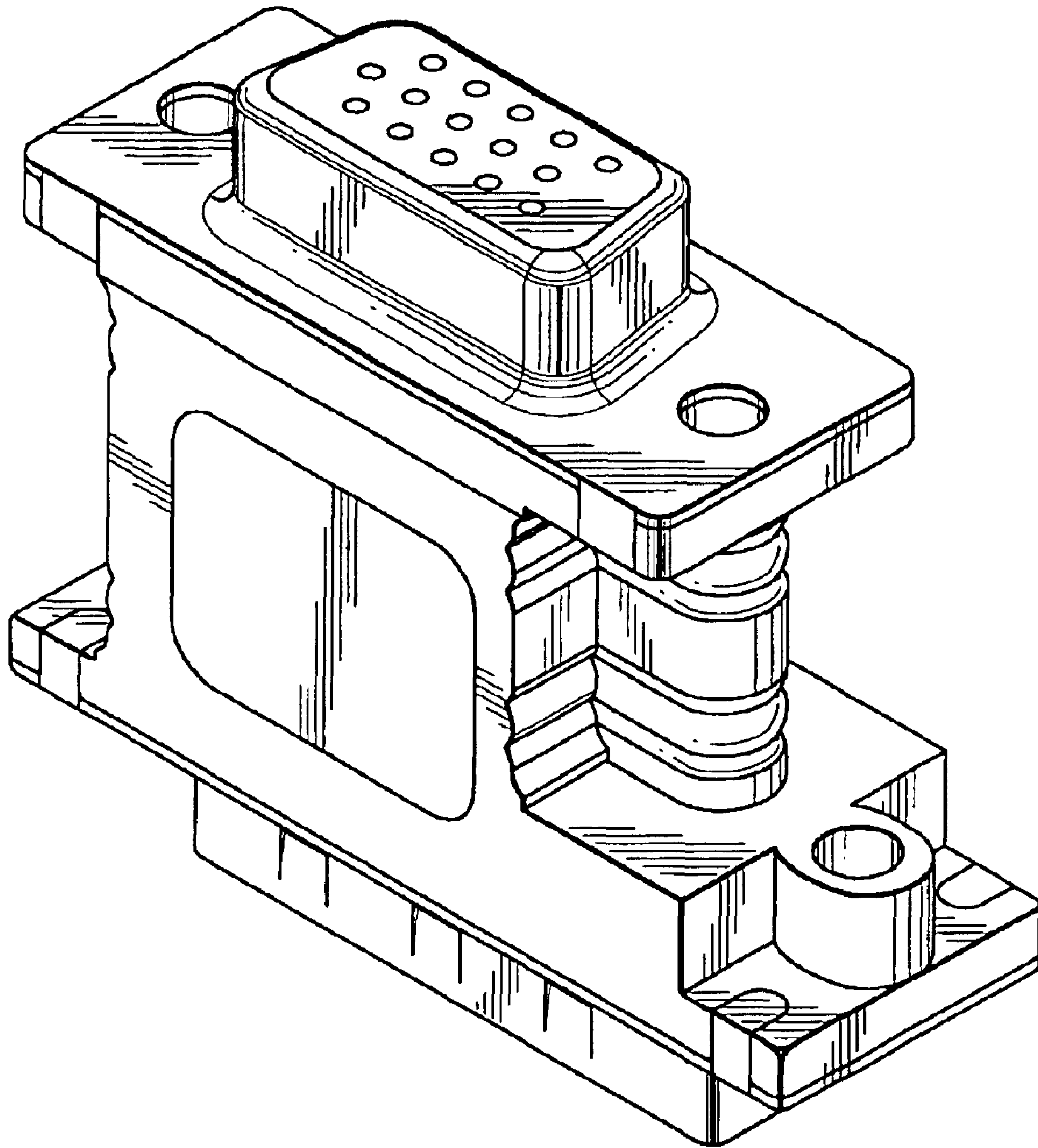


FIG. 1

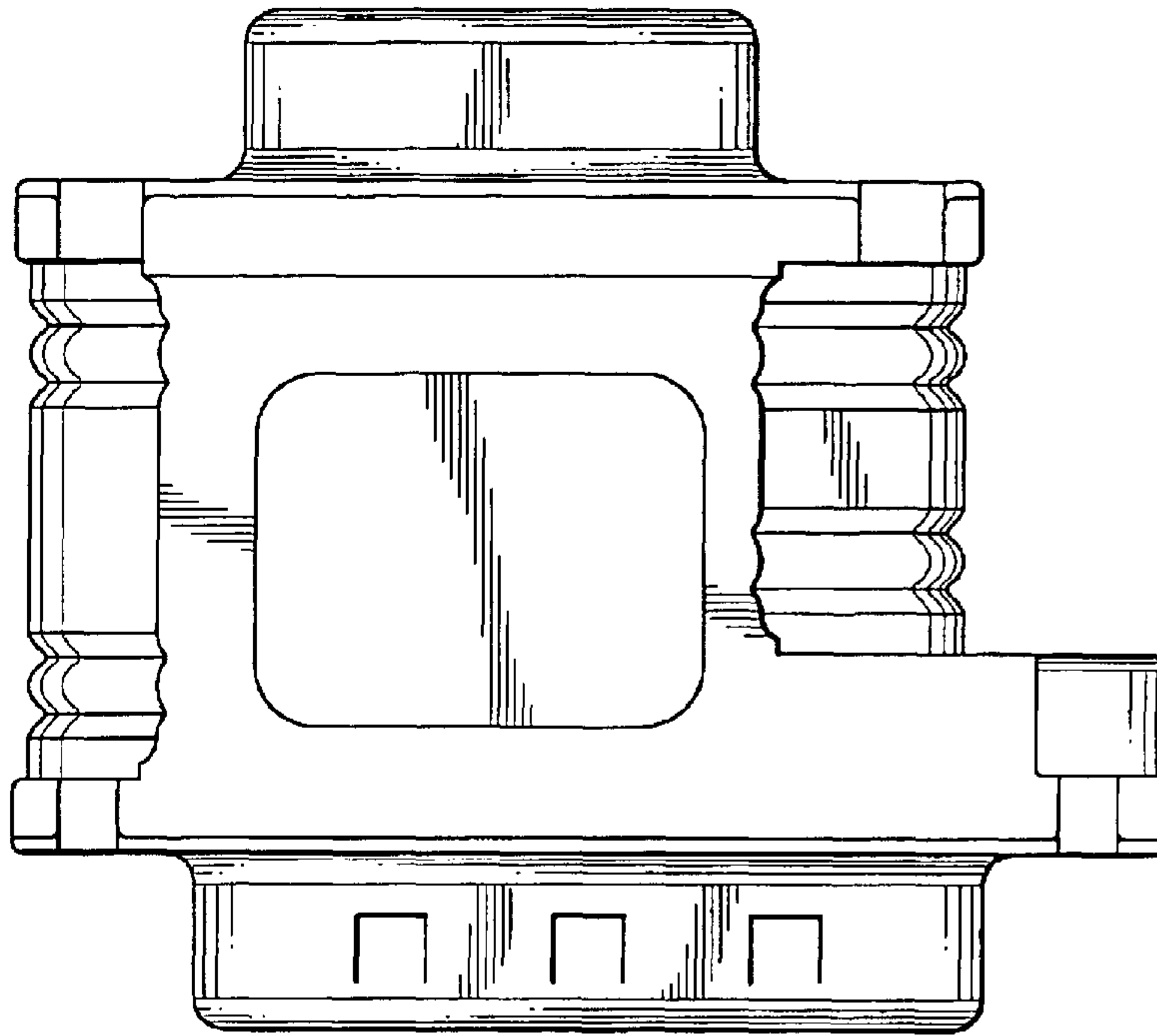


FIG. 2

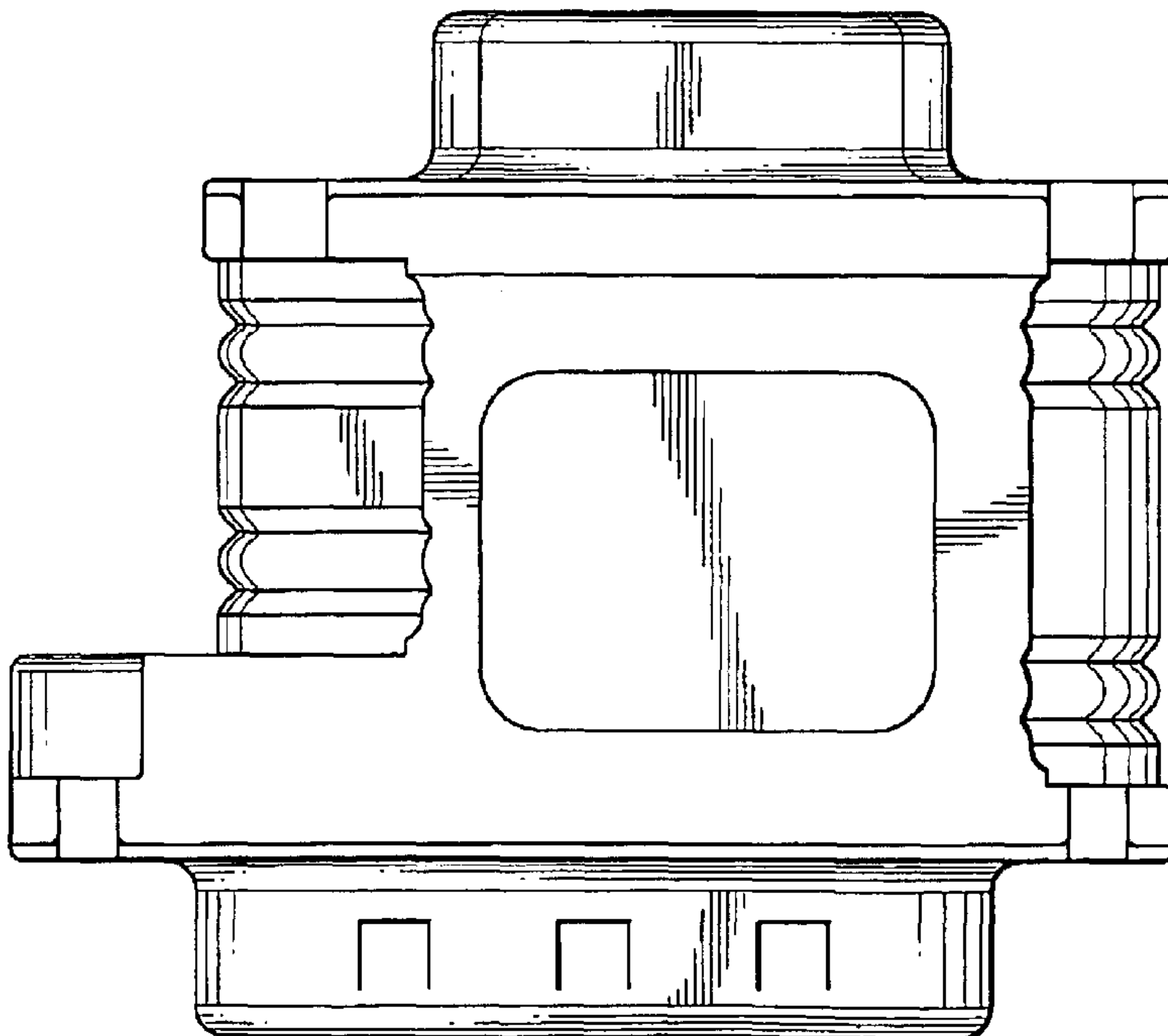


FIG. 3

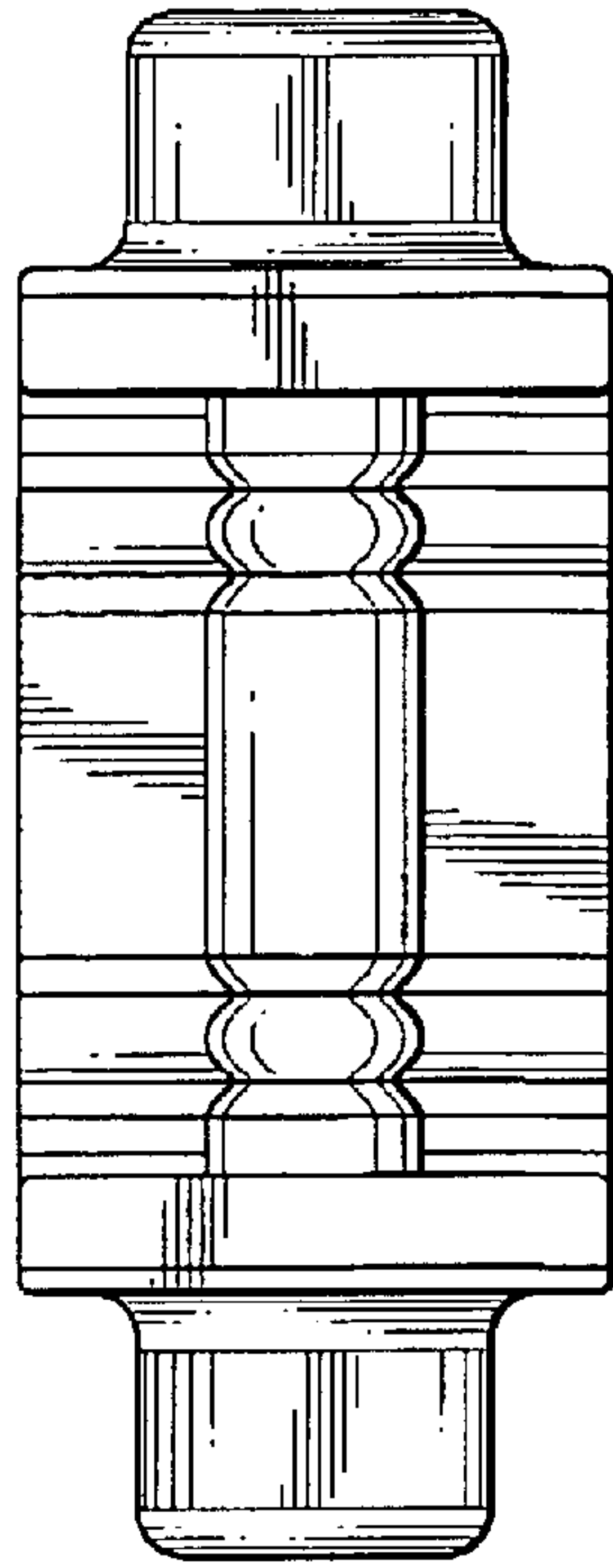


FIG. 4

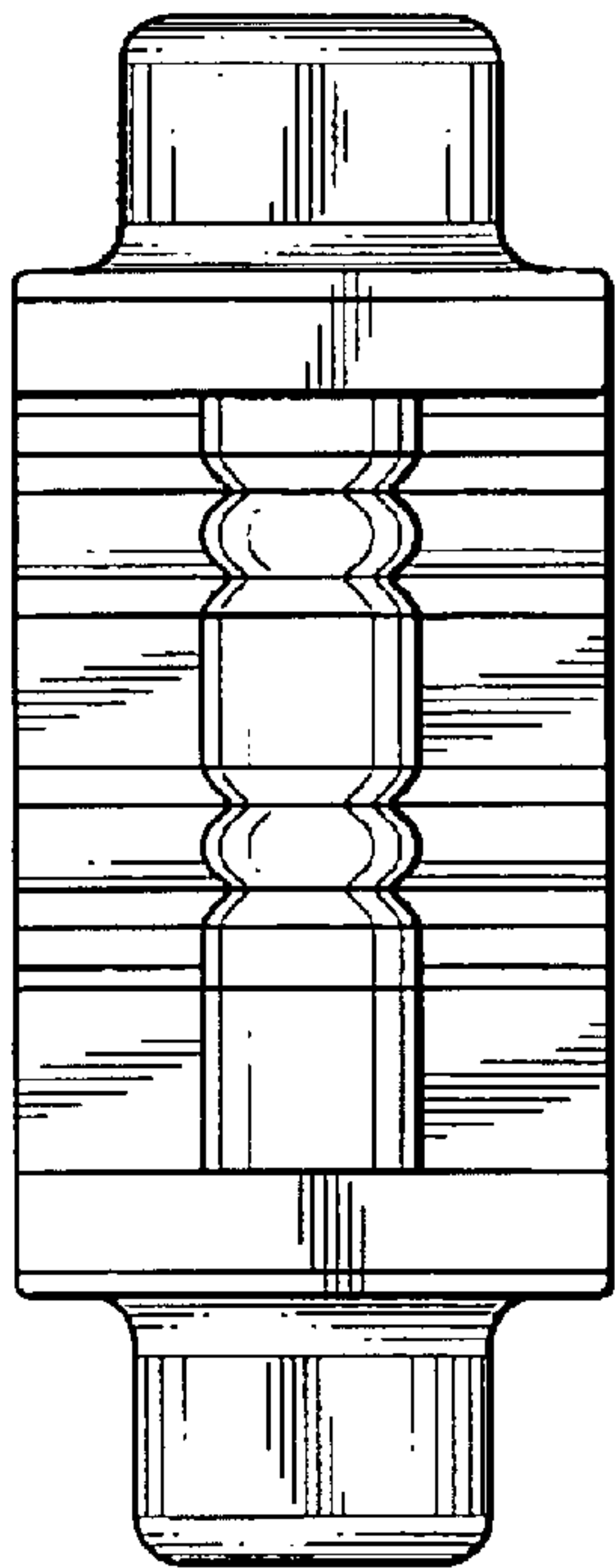


FIG. 5

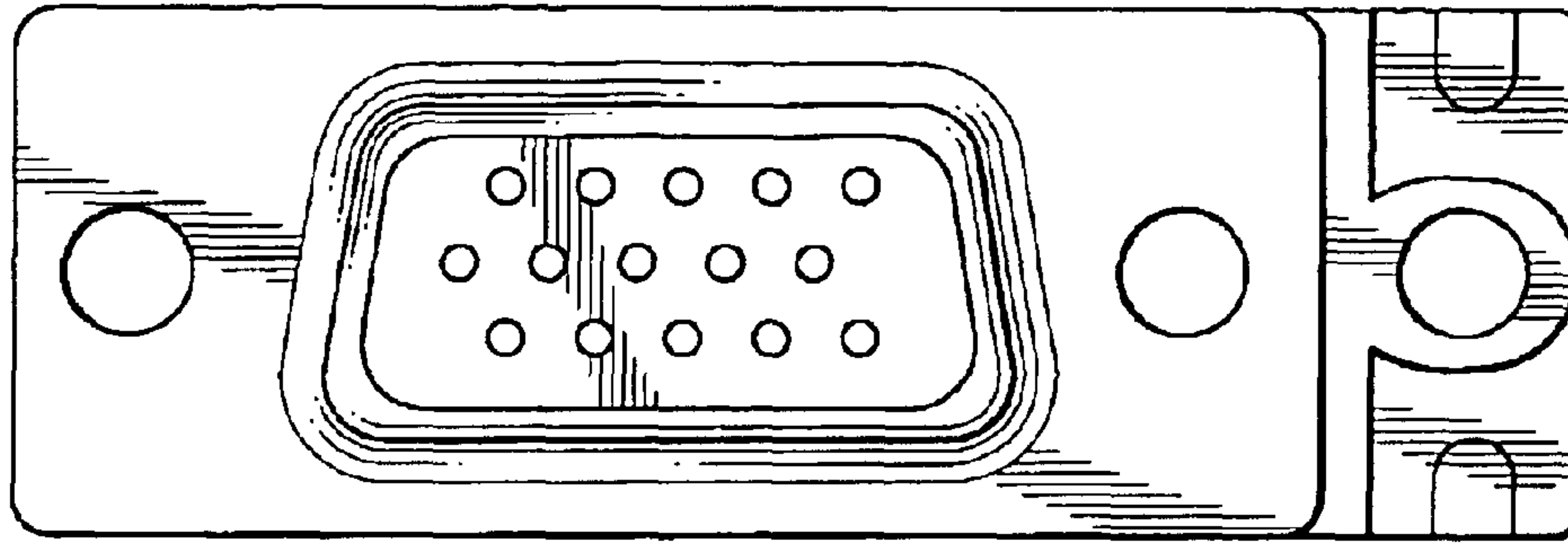


FIG. 6

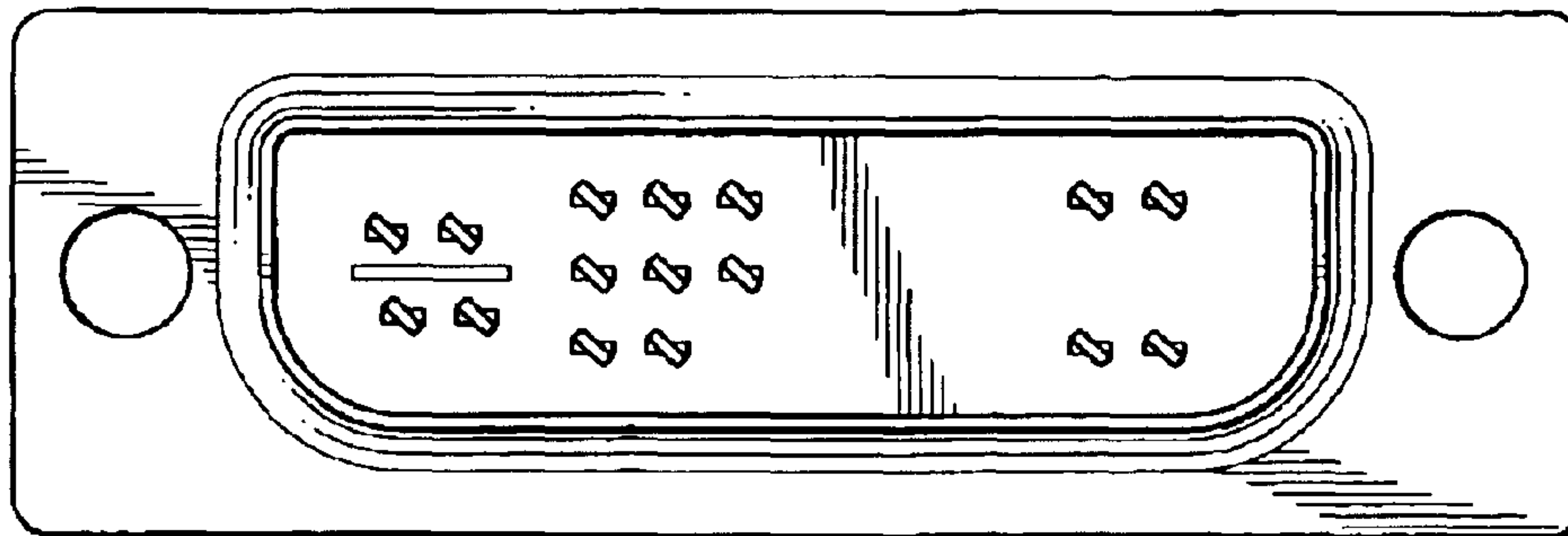


FIG. 7



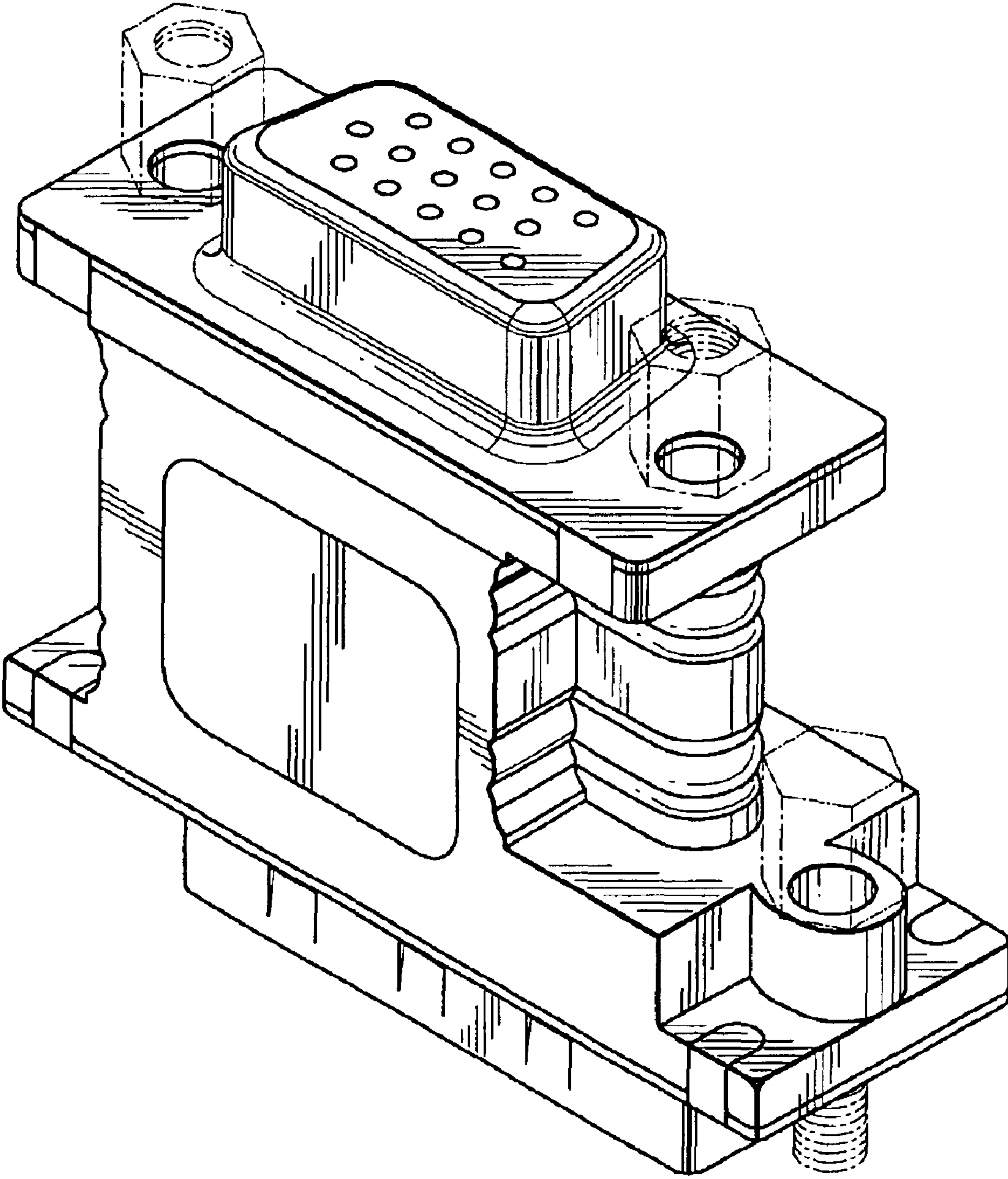


FIG. 8