

US00D503679S

(12) **United States Design Patent**
Andre et al.

(10) **Patent No.: US D503,679 S**
(45) **Date of Patent: ** Apr. 5, 2005**

(54) **POWER ADAPTER**

(75) Inventors: **Bartley K. Andre**, Menlo Park, CA (US); **Daniel J. Coster**, San Francisco, CA (US); **Daniele De Iuliis**, San Francisco, CA (US); **Richard P. Howarth**, San Francisco, CA (US); **Jonathan P. Ive**, San Francisco, CA (US); **Duncan Robert Kerr**, San Francisco, CA (US); **Shin Nishibori**, San Francisco, CA (US); **Matthew Dean Rohrbach**, San Francisco, CA (US); **Douglas B. Satzger**, Menlo Park, CA (US); **Calvin Q. Seid**, Palo Alto, CA (US); **Christopher J. Stringer**, Portola Valley, CA (US); **Eugene Antony Whang**, San Francisco, CA (US)

(73) Assignee: **Apple Computer, Inc.**, Cupertino, CA (US)

(**) Term: **14 Years**

(21) Appl. No.: **29/208,299**

(22) Filed: **Jun. 24, 2004**

(51) **LOC (7) Cl.** **13-02**

(52) **U.S. Cl.** **D13/110**

(58) **Field of Search** D13/101, 110, D13/123, 184, 199; D14/388, 439; 320/2; 363/15-16, 126, 141, 144, 146; 439/500

(56) **References Cited**

U.S. PATENT DOCUMENTS

D263,465 S * 3/1982 Fathi D13/110
D375,937 S * 11/1996 Mergenthaler et al. D13/110

5,648,712 A * 7/1997 Hahn 320/111
6,030,247 A * 2/2000 Sasahara 439/332
D423,452 S * 4/2000 Fujisawa et al. D13/110
D424,528 S * 5/2000 Dernehl D13/184
D431,526 S * 10/2000 Nishio et al. D13/123
D469,402 S * 1/2003 Bukiri D13/137.1
D479,823 S * 9/2003 Andre et al. D13/110
D490,051 S * 5/2004 Kikumoto D13/102
2002/0137382 A1 * 9/2002 Shirakura et al. 439/218
2004/0095713 A1 * 5/2004 Chuang 361/679

* cited by examiner

Primary Examiner—Stella Reid
Assistant Examiner—Daniel Bui
(74) *Attorney, Agent, or Firm*—Beyer Weaver & Thomas, LLP

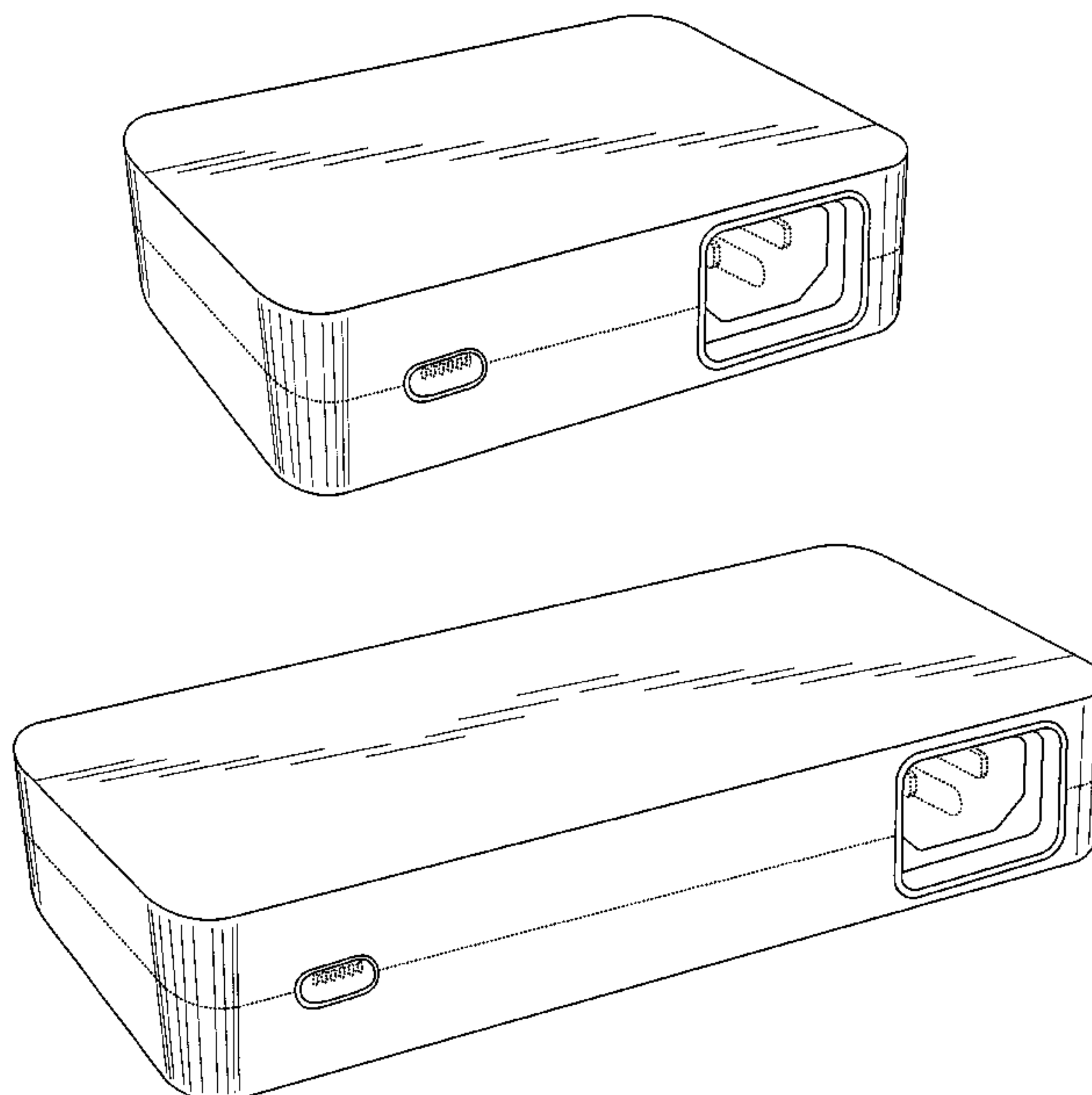
(57) **CLAIM**

We claim the ornamental design for a power adapter, substantially as shown and described.

DESCRIPTION

FIG. 1 is a perspective view of a first embodiment of a power adapter, showing our new design; FIG. 2 is a top plan view thereof; FIG. 3 is a bottom plan view thereof; FIG. 4 is a front elevation view thereof; FIG. 5 is a rear elevation view thereof; FIG. 6 is a right side elevation view thereof; FIG. 7 is a left side elevation view thereof; and, FIG. 8 is a perspective view of a second embodiment of a power adapter showing our new design. It is understood that the other views are similar with the first embodiment, and the only difference is the elongation thereof. The broken line showing of the environment is for illustrative purposes only and forms no part of the claimed design.

1 Claim, 4 Drawing Sheets



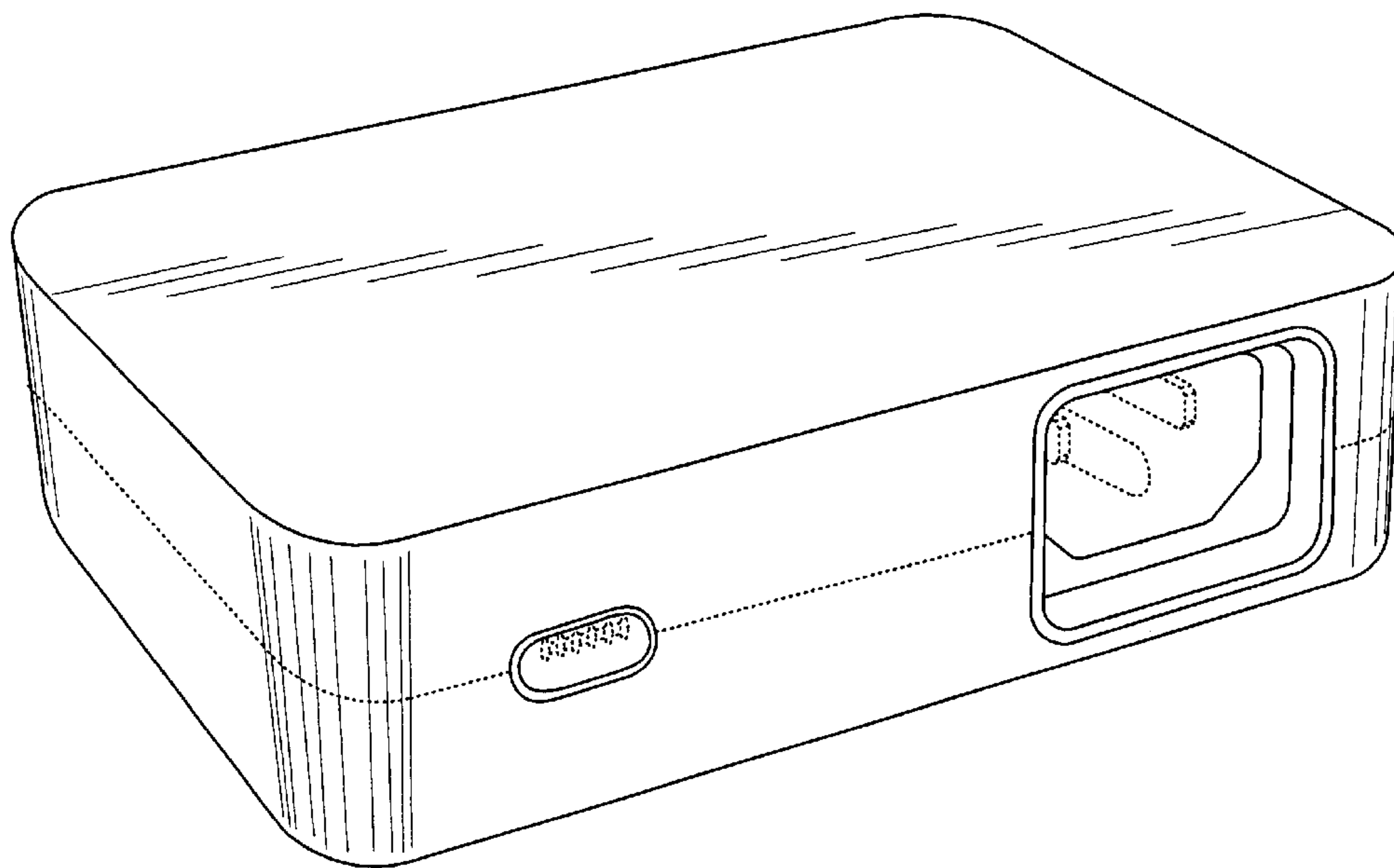


FIG. 1



FIG. 2

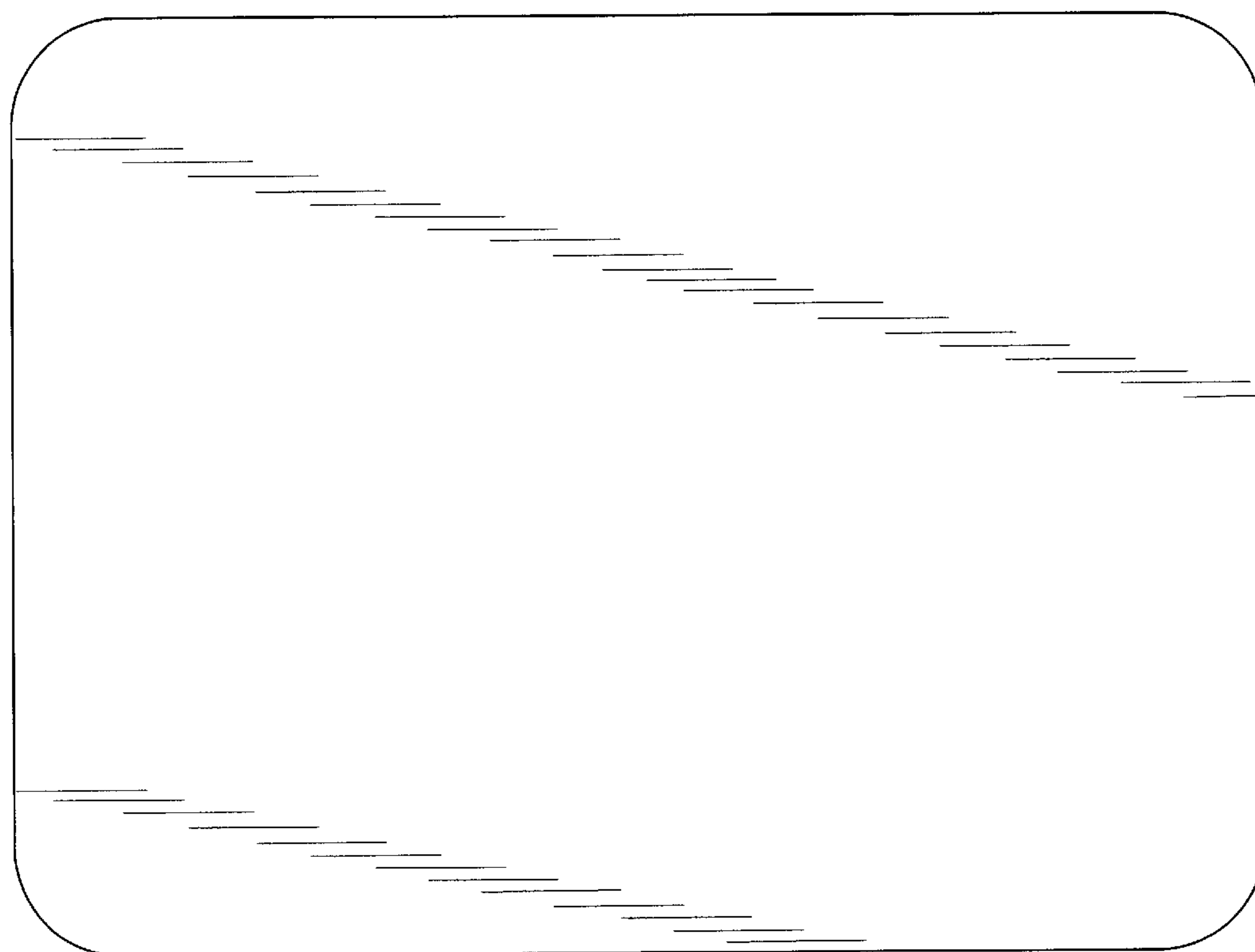


FIG. 3

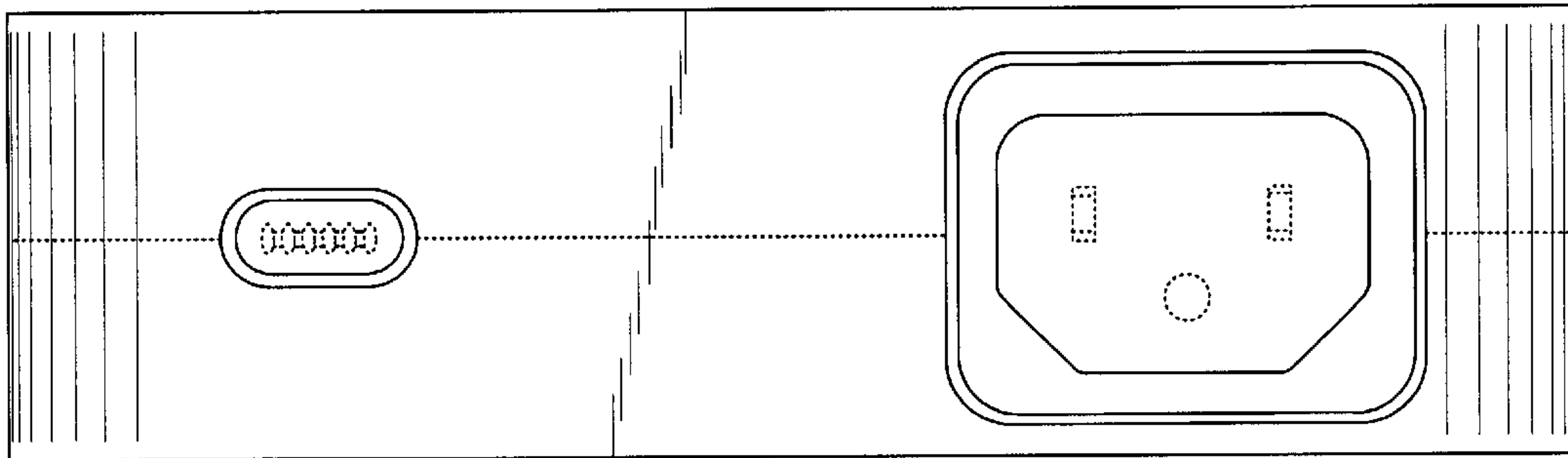


FIG. 4

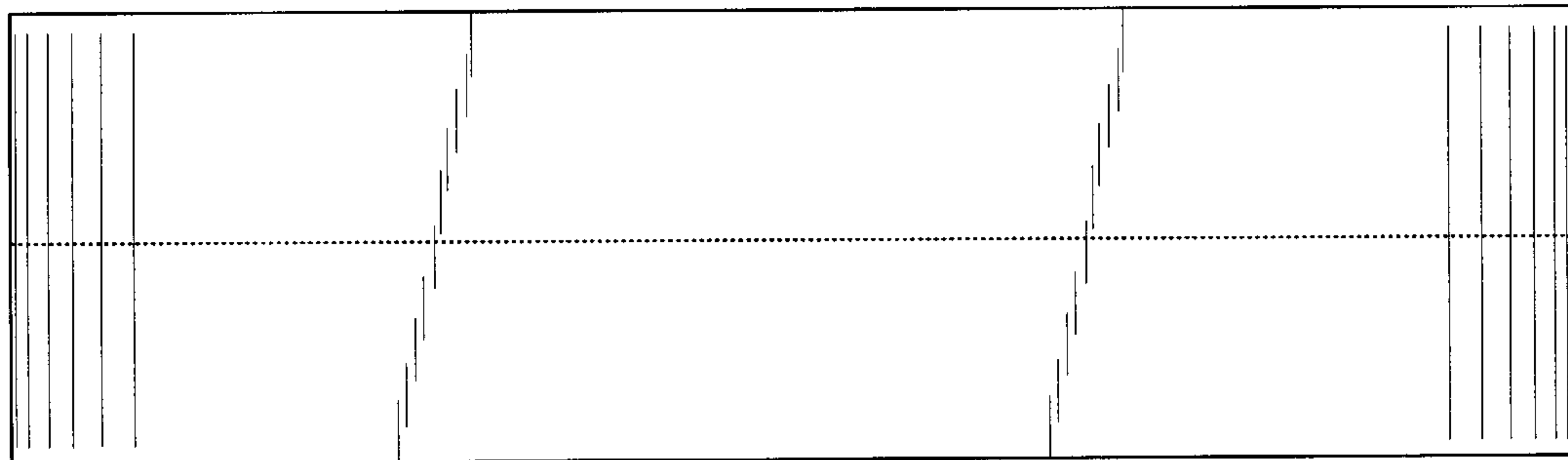


FIG. 5

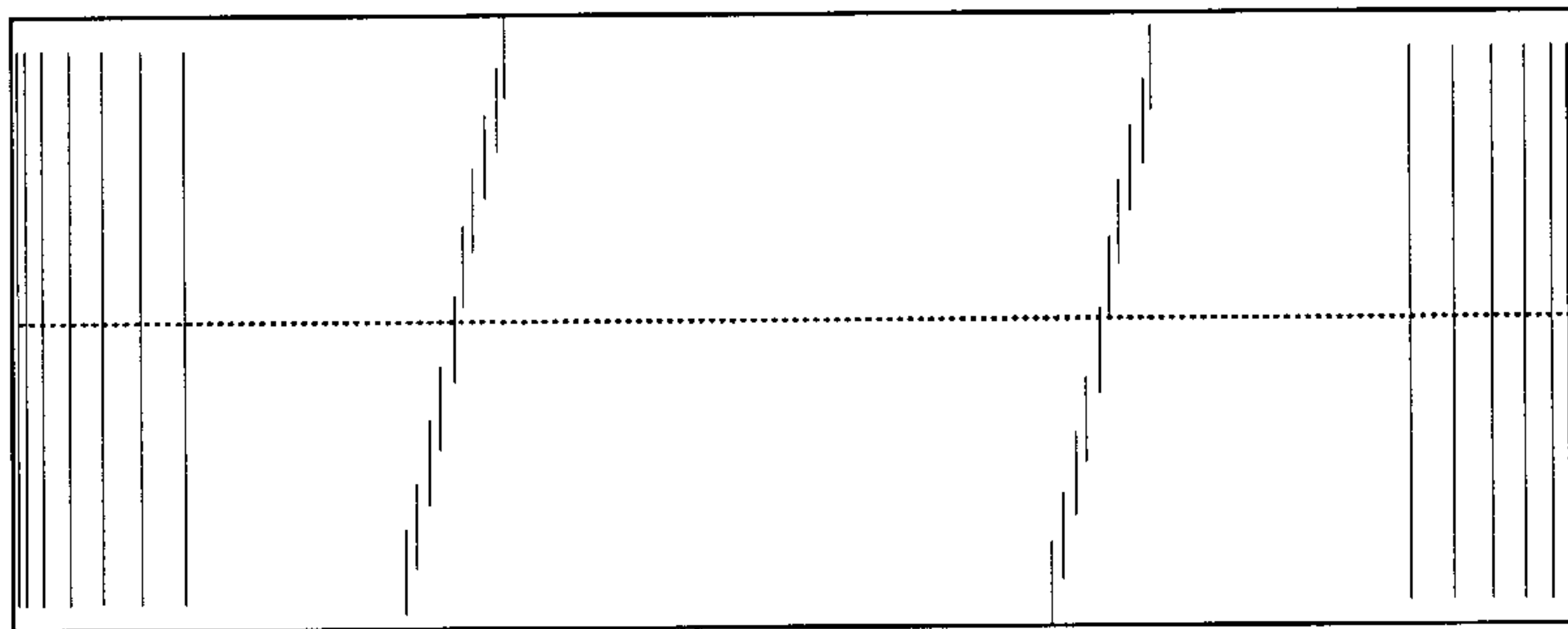


FIG. 6

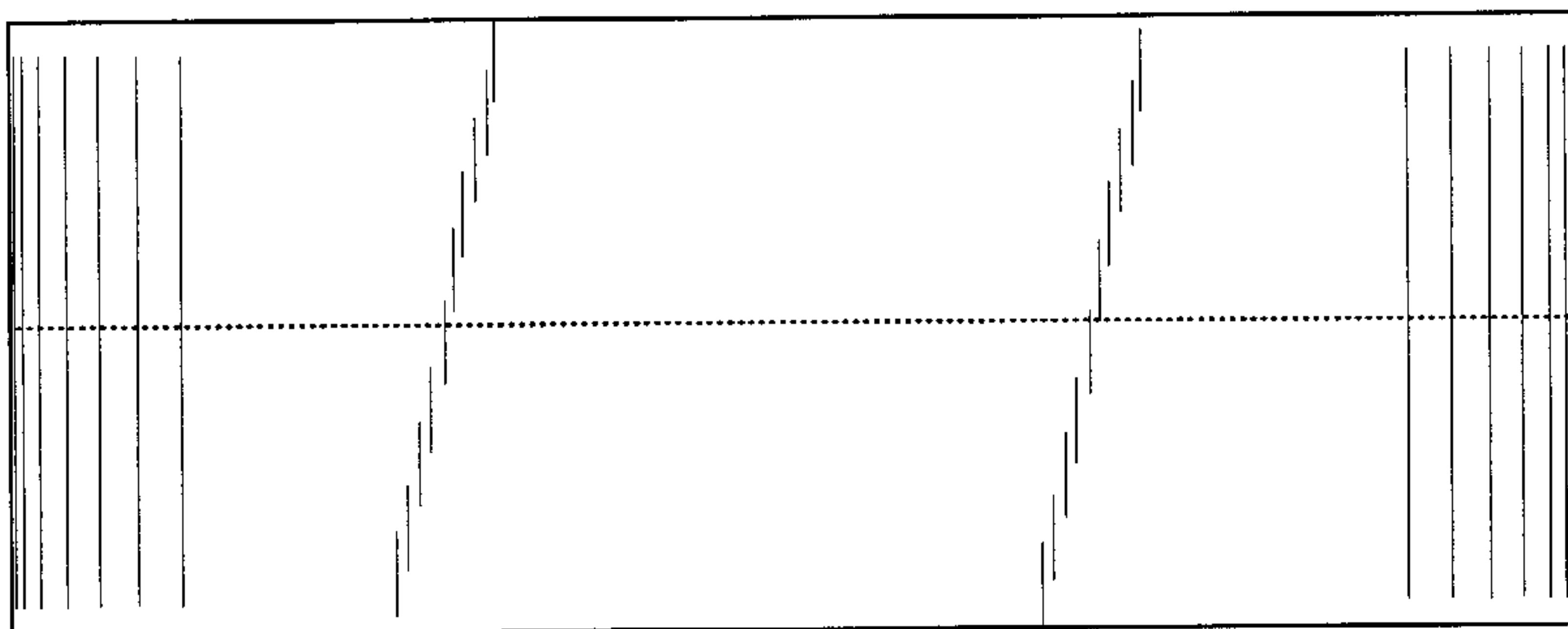


FIG. 7

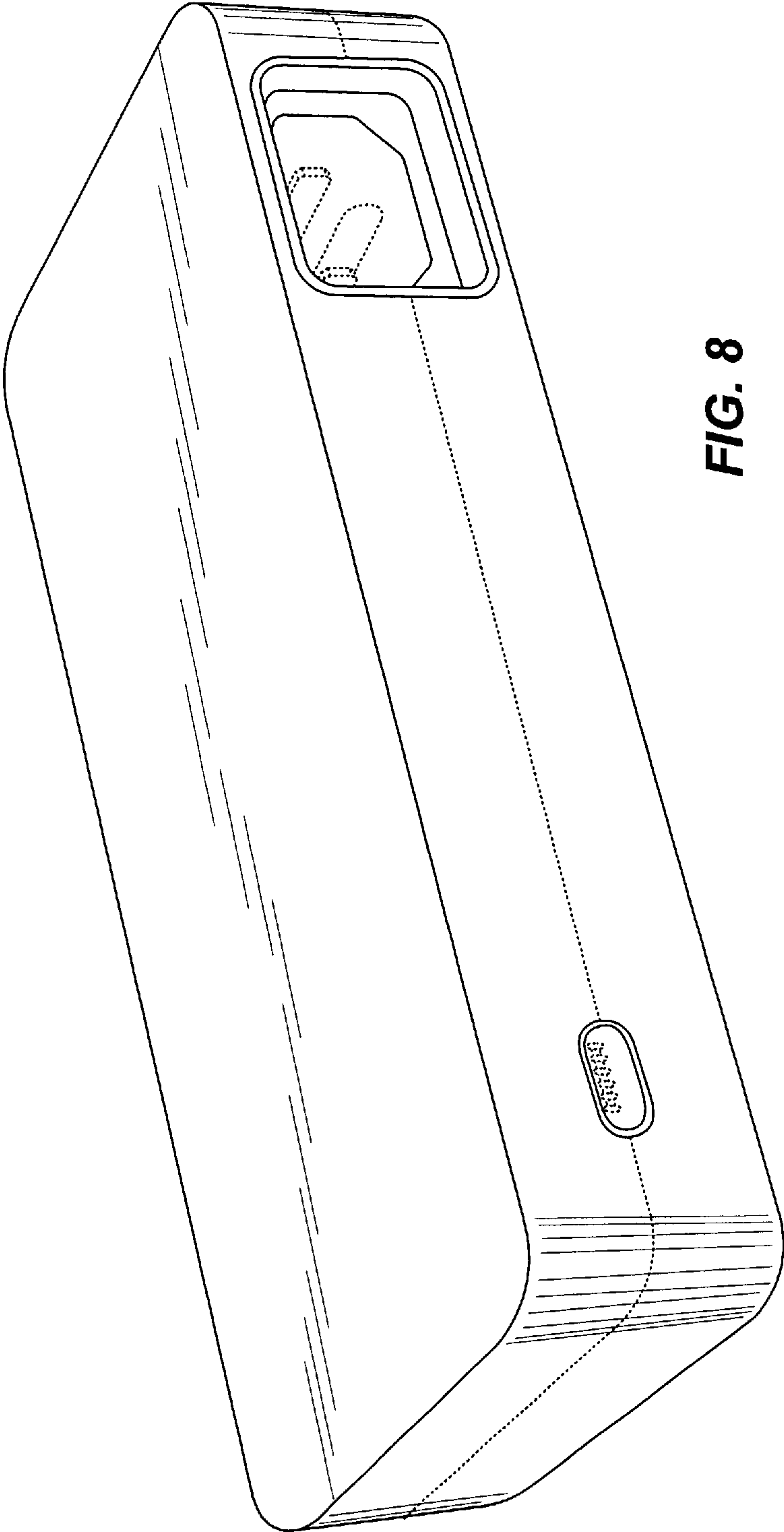


FIG. 8