

US00D503677S

(12) **United States Design Patent**  
**Wardenburg**

(10) **Patent No.:** **US D503,677 S**

(45) **Date of Patent:** **\*\* Apr. 5, 2005**

(54) **BALLAST BOX-CONTAINER**

D456,938 S \* 5/2002 Wardenburg ..... D26/118  
D498,211 S \* 11/2004 Thibault ..... D13/155

(75) **Inventor:** **Peter Wardenburg**, Petaluma, CA (US)

\* cited by examiner

(73) **Assignee:** **Hydrofoam, Inc.**, Petaluma, CA (US)

*Primary Examiner*—Stella Reid

*Assistant Examiner*—Daniel Bui

(\*\*) **Term:** **14 Years**

(74) *Attorney, Agent, or Firm*—Craig M. Stainbrook; Larry D. Johnson; Johnson & Stainbrook, LLP

(21) **Appl. No.:** **29/200,023**

(22) **Filed:** **Feb. 24, 2004**

(57) **CLAIM**

The ornamental design for a ballast box-container, as shown and described.

(51) **LOC (7) Cl.** ..... **03-02**

(52) **U.S. Cl.** ..... **D13/110**

(58) **Field of Search** ..... D13/101, 110,  
D13/118, 122, 184, 199; D26/60, 71; 174/50,  
52.2, DIG. 2; 307/150; 336/90; 361/674,  
836; 362/270, 275, 277–278, 281, 289,  
401–402; 363/15

**DESCRIPTION**

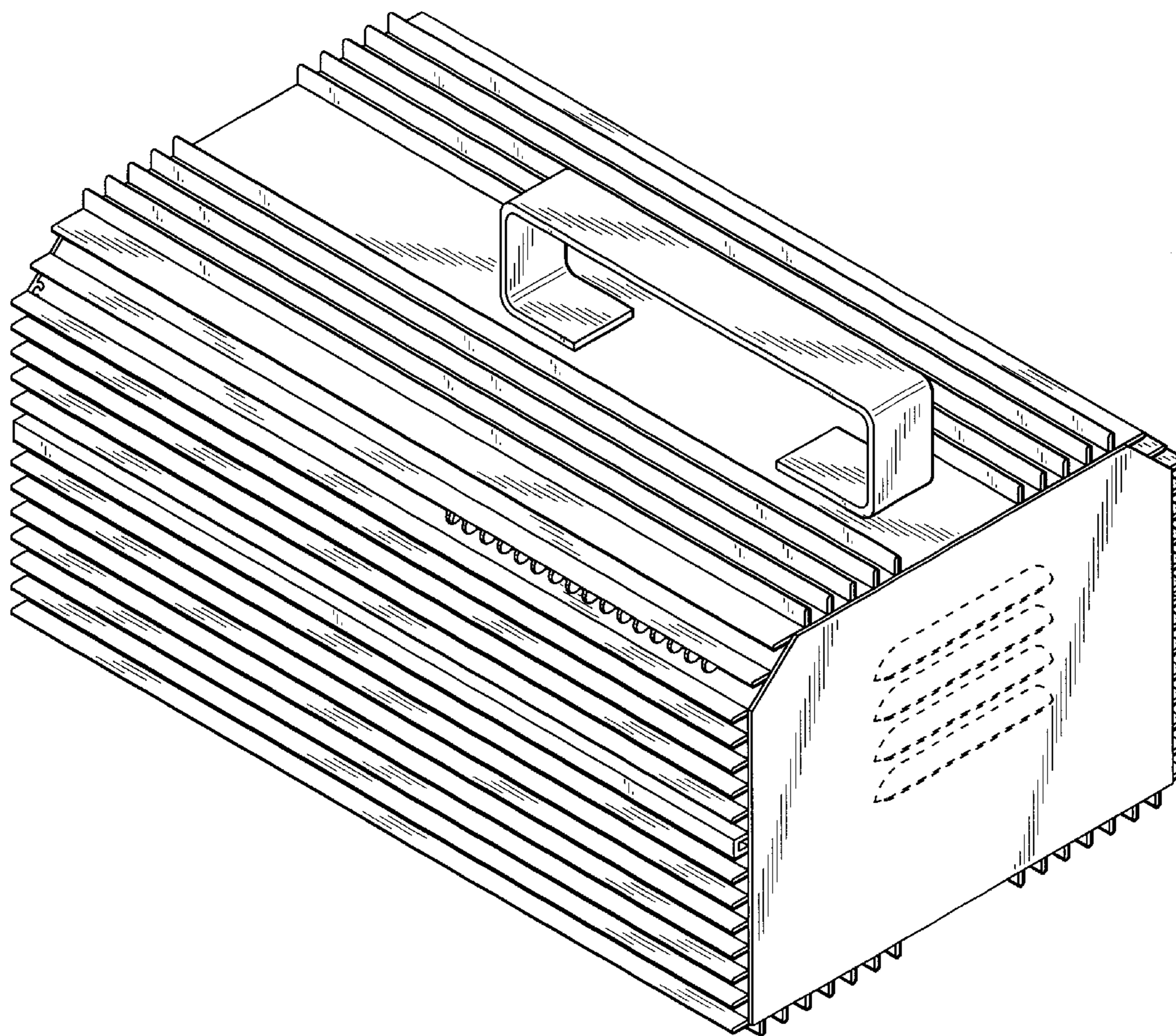
FIG. 1 is a left, front perspective view of a ballast box-container, showing my new design;  
FIG. 2 is a right, rear perspective view thereof;  
FIG. 3 is a left side elevation view thereof;  
FIG. 4 is a front elevation view thereof;  
FIG. 5 is a rear elevation view thereof;  
FIG. 6 is a top plan view thereof; and,  
FIG. 7 is a bottom plan view thereof.  
The broken line showing of the environment is for illustrative purposes only and forms no part of the claimed design.

(56) **References Cited**

**U.S. PATENT DOCUMENTS**

D257,892 S \* 1/1981 Dean et al. .... D26/71  
4,455,594 A \* 6/1984 Yang ..... 362/252  
D312,318 S \* 11/1990 Currie ..... D26/60  
4,972,306 A \* 11/1990 Bornhorst ..... 362/278  
D427,969 S \* 7/2000 Wei ..... D13/110

**1 Claim, 6 Drawing Sheets**



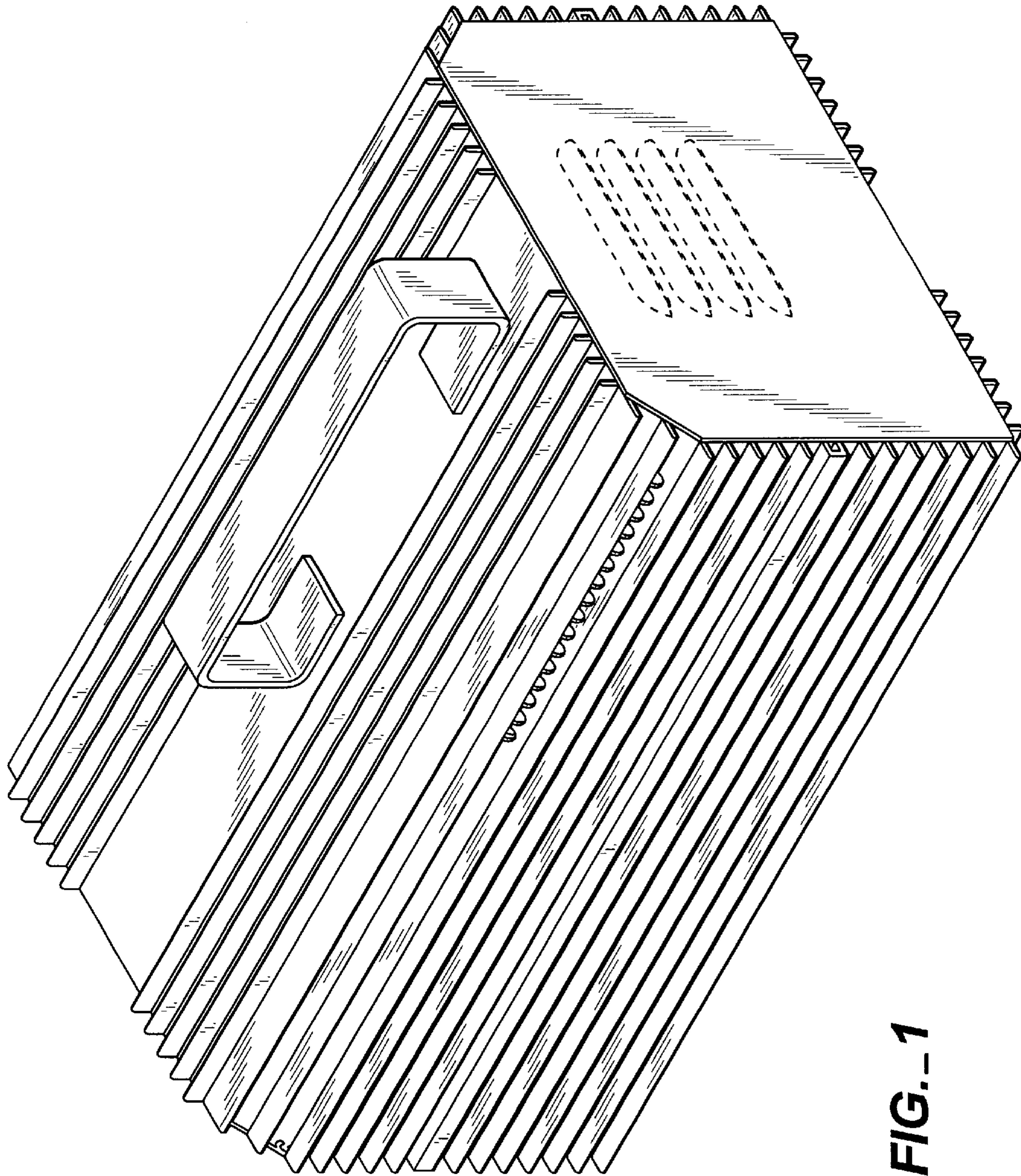


FIG.-1



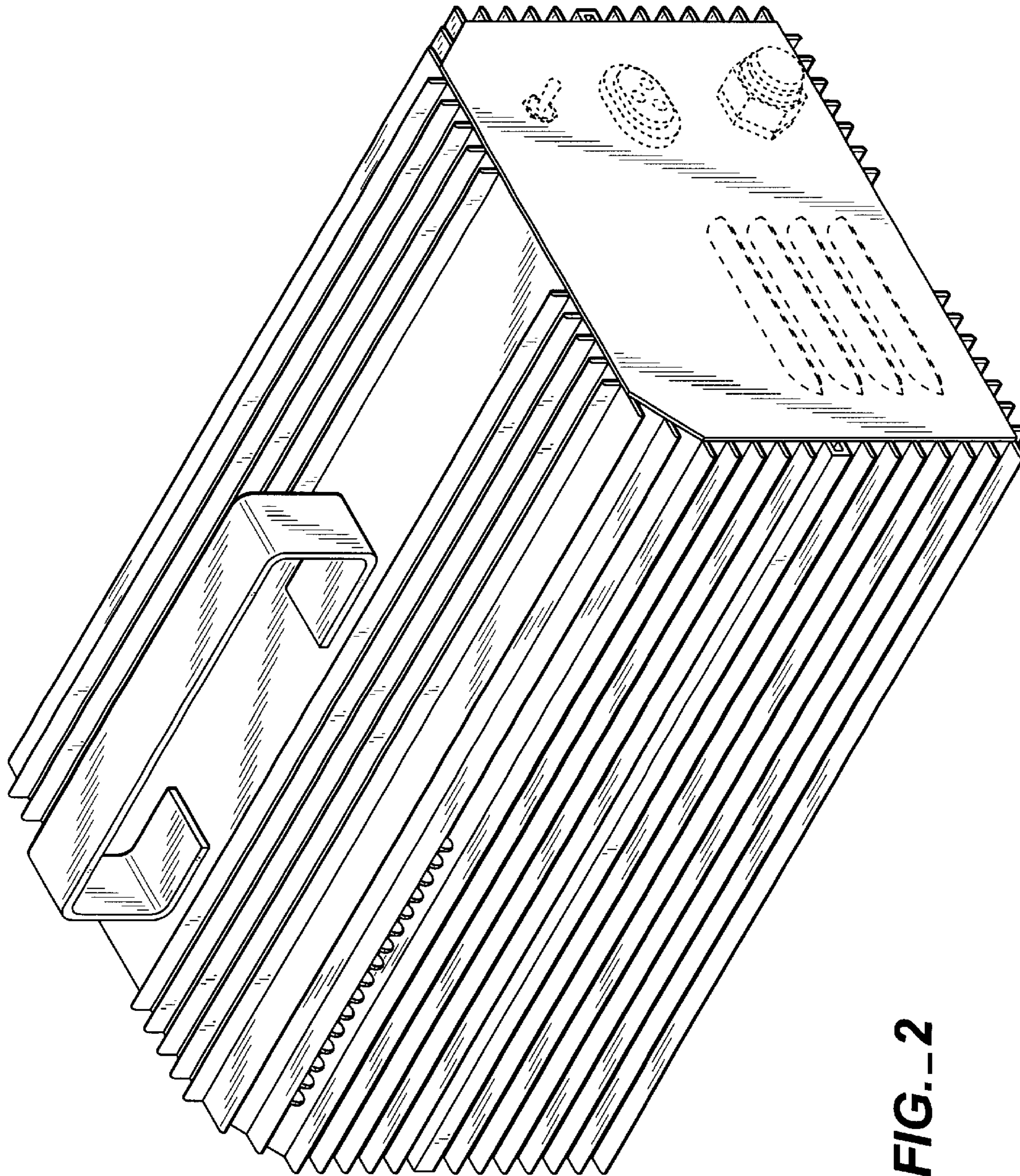
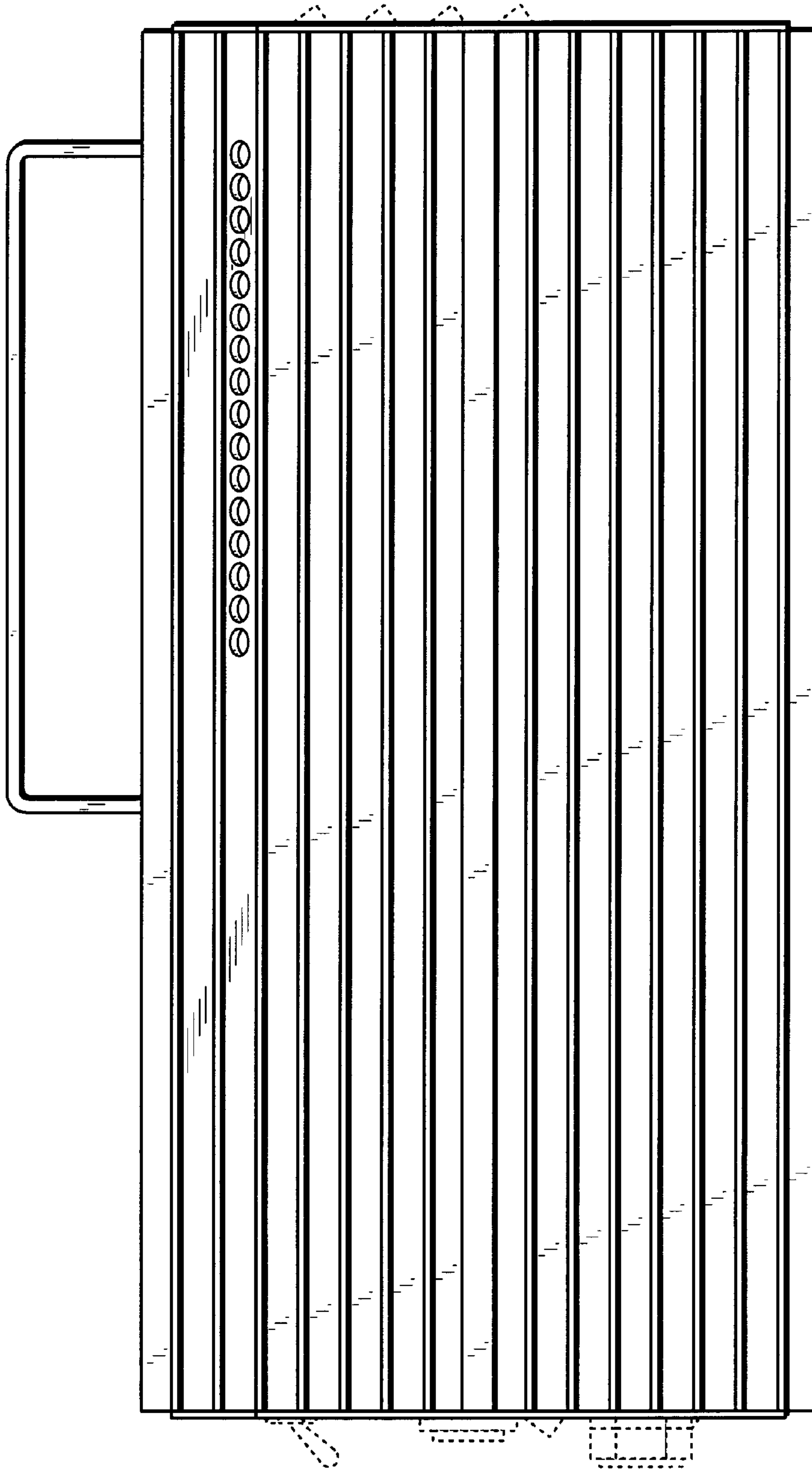


FIG.-2



**FIG. 3**

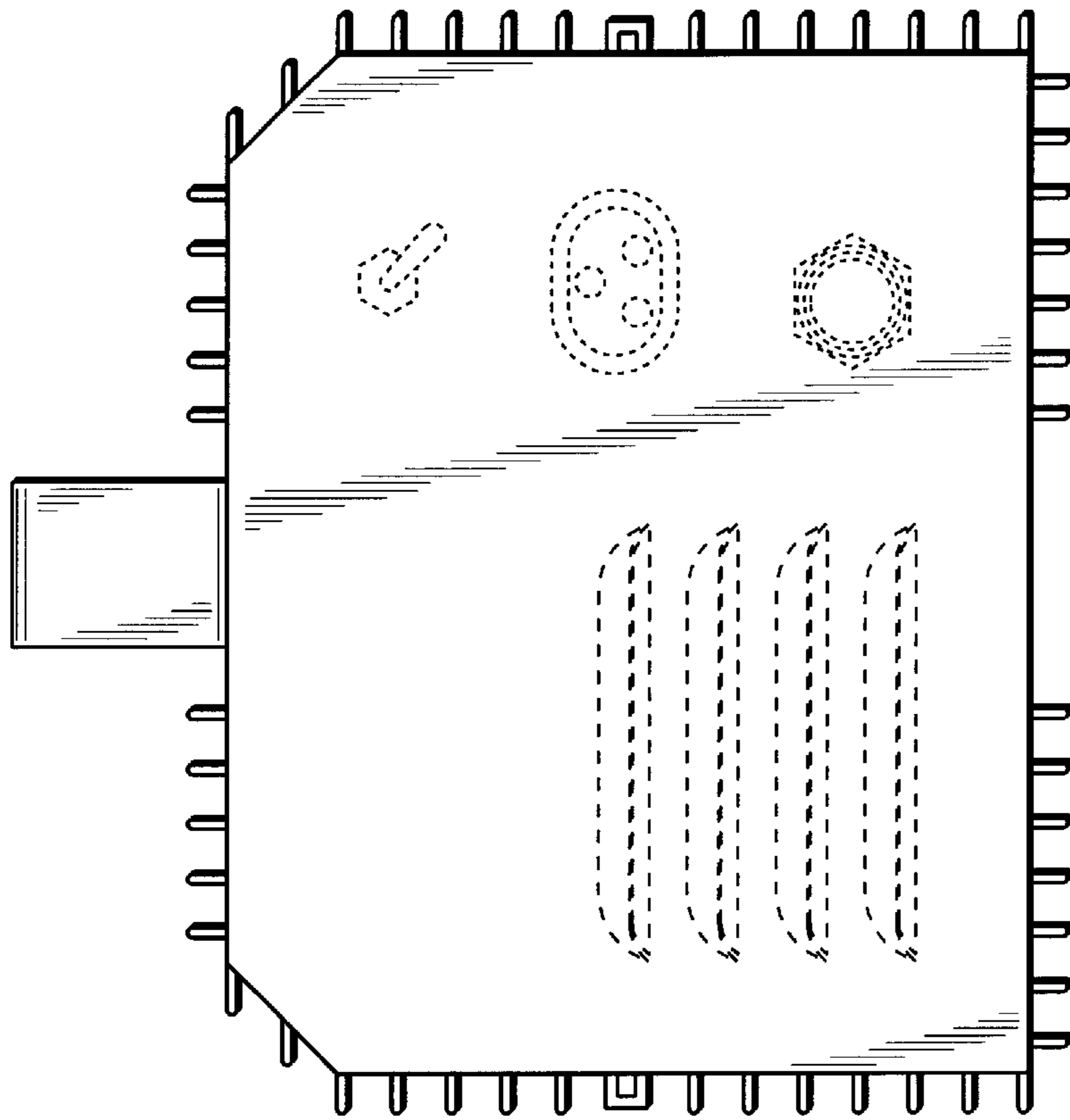


FIG. 5

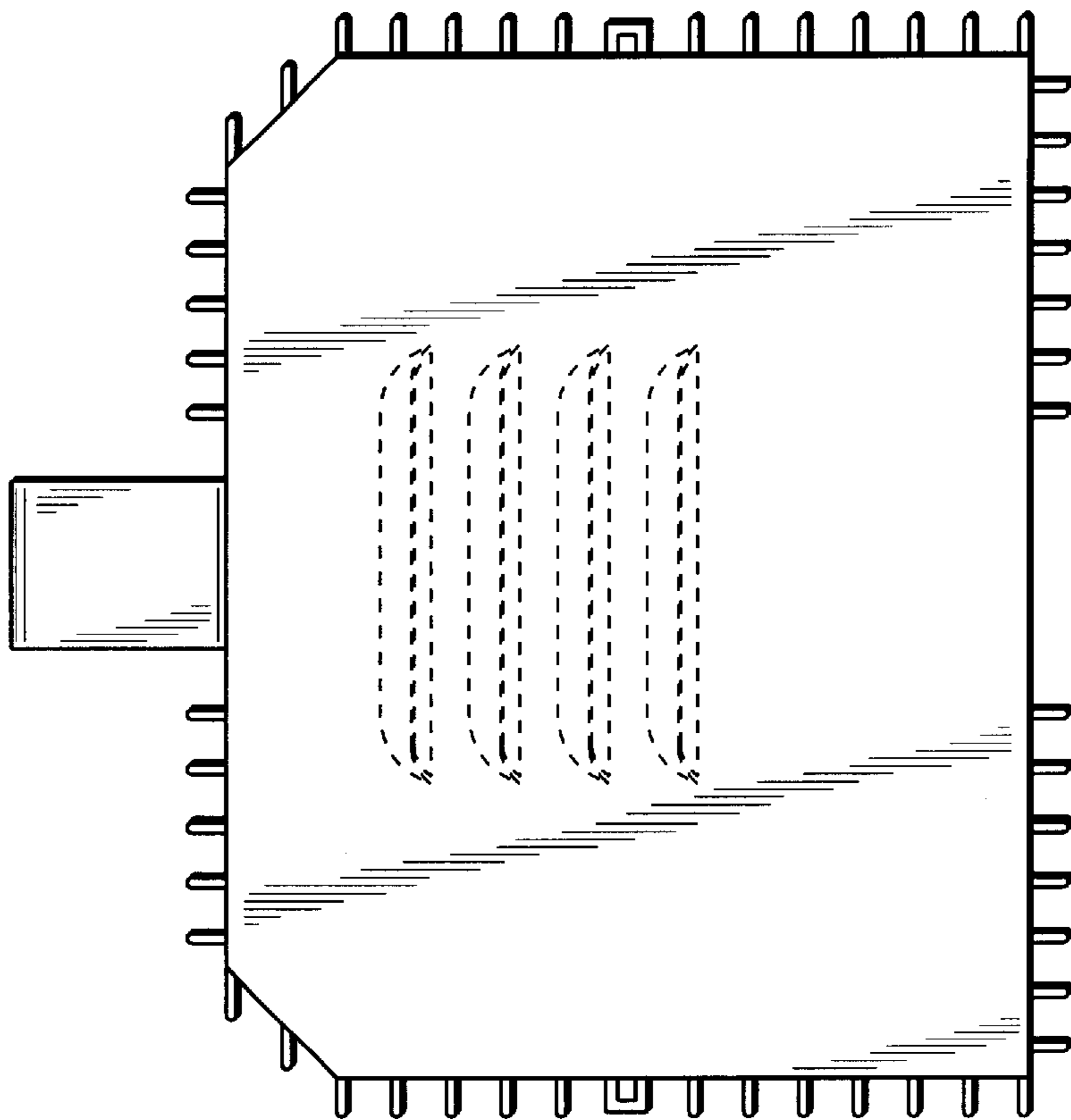
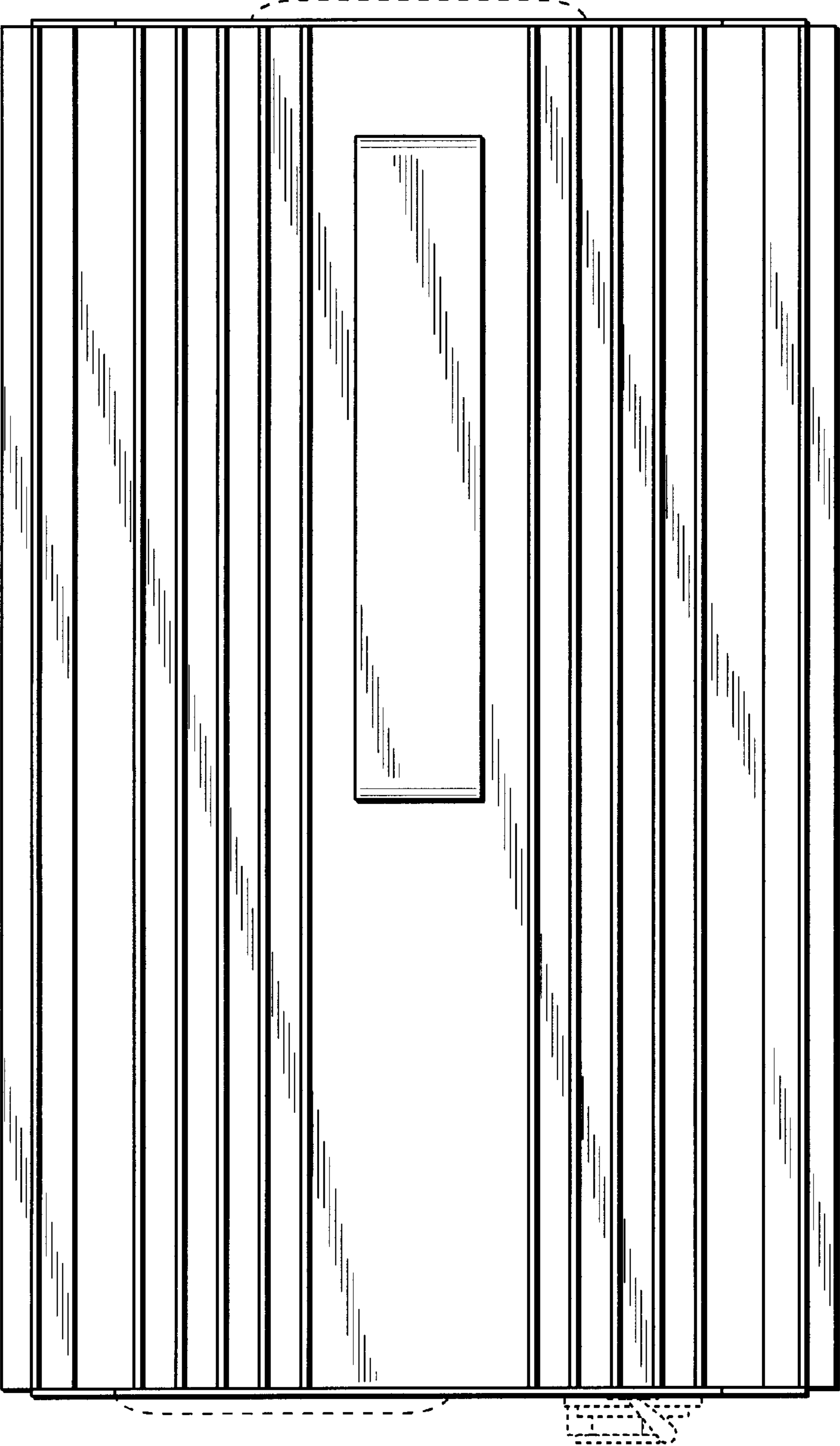
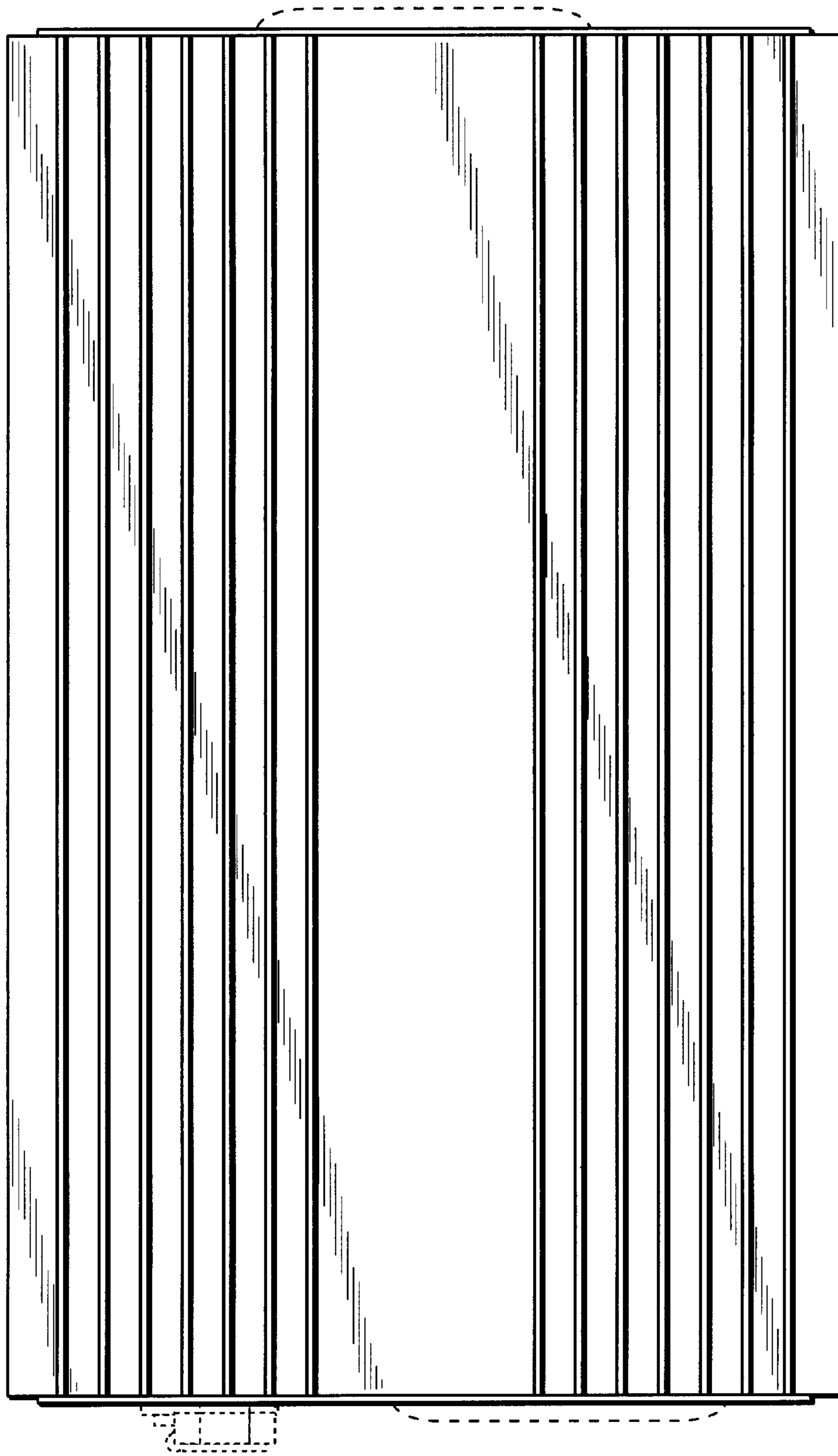


FIG. 4



**FIG. 6**



**FIG. 7**