

US00D503676S

(12) **United States Design Patent**
Krieger et al.

(10) **Patent No.:** **US D503,676 S**
(45) **Date of Patent:** **** Apr. 5, 2005**

(54) **INVERTER**

(75) Inventors: **Michael Krieger**, Miami Beach, FL
(US); **Kevin Ellsworth**, Hollywood, FL
(US)

(73) Assignee: **Vector Products, Inc.**, Ft. Lauderdale,
FL (US)

(**) Term: **14 Years**

(21) Appl. No.: **29/185,003**

(22) Filed: **Jun. 20, 2003**

Related U.S. Application Data

(63) Continuation-in-part of application No. 29/174,253, filed on
Jan. 15, 2003, now Pat. No. Des. 479,195.

(51) **LOC (7) Cl.** **13-02**

(52) **U.S. Cl.** **D13/110**

(58) **Field of Search** D13/101, 110,
D13/118, 184, 199; 361/622, 679, 688;
363/141, 144, 146

(56) **References Cited**

U.S. PATENT DOCUMENTS

D343,395 S	*	1/1994	Kakizaki	D14/188
D349,682 S	*	8/1994	Hunziker	D13/110
D372,017 S		7/1996	Suematsu et al.	D13/110
D401,216 S	*	11/1998	Person et al.	D13/110
D413,567 S	*	9/1999	Person et al.	D13/110
D426,810 S	*	6/2000	Wei	D13/110
D427,148 S	*	6/2000	Wei	D13/110

D436,918 S		1/2001	Matsuda	D13/110
D449,817 S		10/2001	Takeuchi et al.	D13/110
D479,195 S	*	9/2003	Krieger et al.	D13/110
D491,523 S	*	6/2004	Chi et al.	D13/110
D494,538 S	*	8/2004	Erskine	D13/110
D495,296 S	*	8/2004	Hussaini et al.	D13/110
D496,629 S	*	9/2004	Hriscu et al.	D13/110

* cited by examiner

Primary Examiner—Stella Reid

Assistant Examiner—Daniel Bui

(74) *Attorney, Agent, or Firm*—Venable LLP; Robert
Kinberg

(57) **CLAIM**

The ornamental design for an inverter, as shown and
described.

DESCRIPTION

FIG. 1 is a perspective view of an inverter, showing our new
design;

FIG. 2 is a front elevation view thereof;

FIG. 3 is a rear elevation view thereof;

FIG. 4 is a left side elevation view thereof;

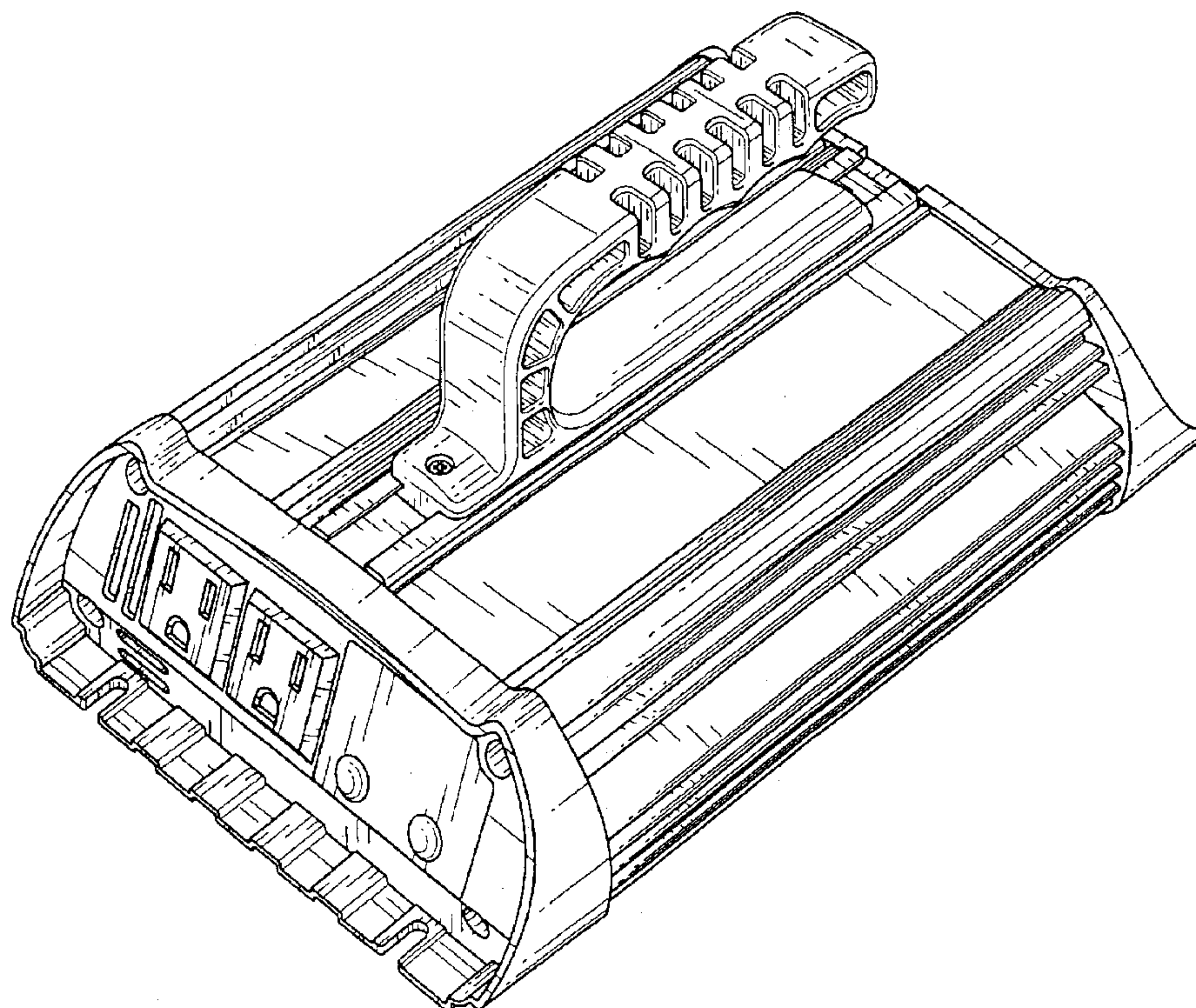
FIG. 5 is a right side elevation view thereof;

FIG. 6 is a top plan view thereof; and,

FIG. 7 is a bottom plan view thereof.

The broken lines immediately adjacent to the shaded areas
represent the boundaries of the claimed design while all
other broken line showing of the environment is for illustrative
purposes only and forms no part of the claimed
design.

1 Claim, 7 Drawing Sheets



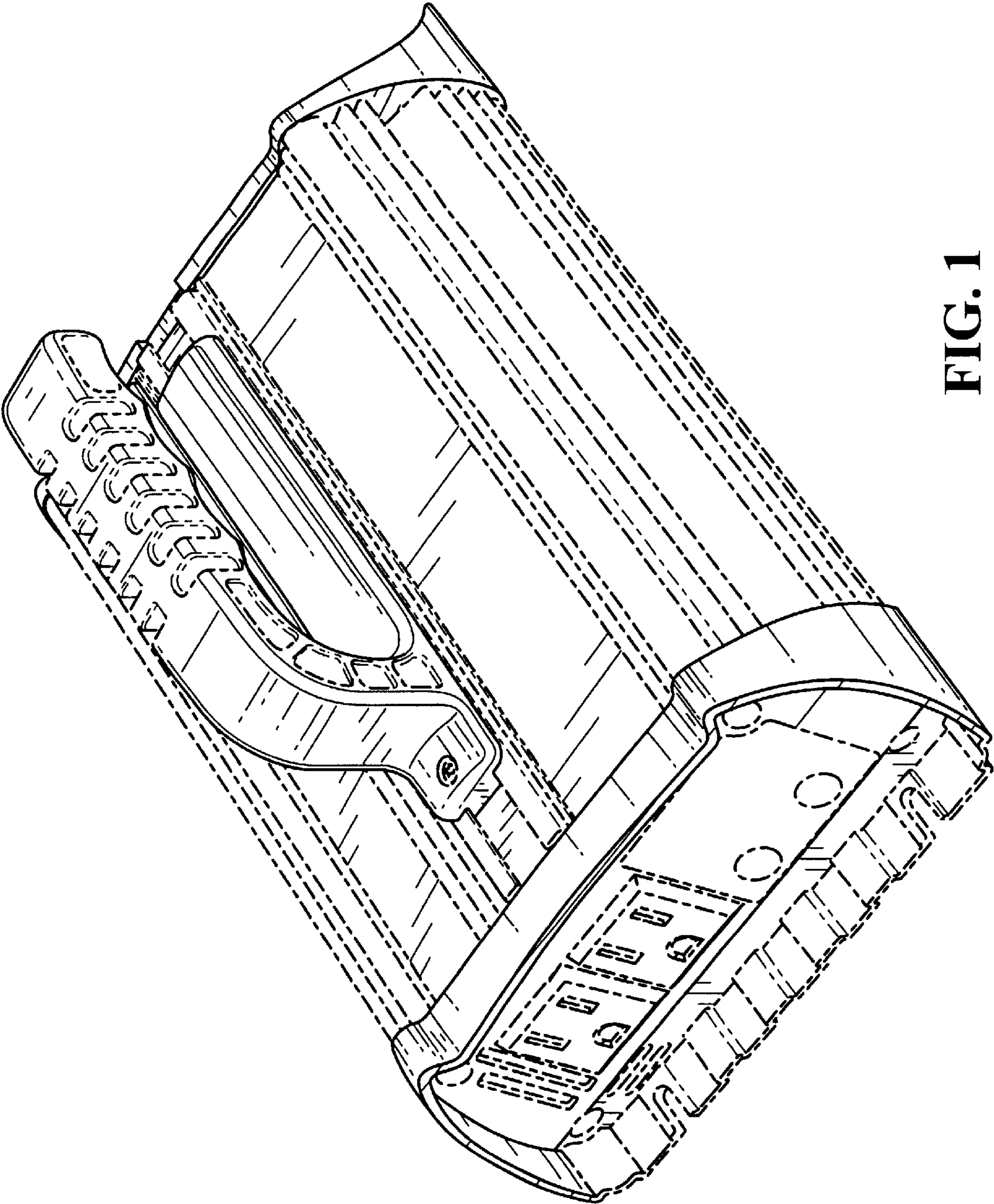


FIG. 1

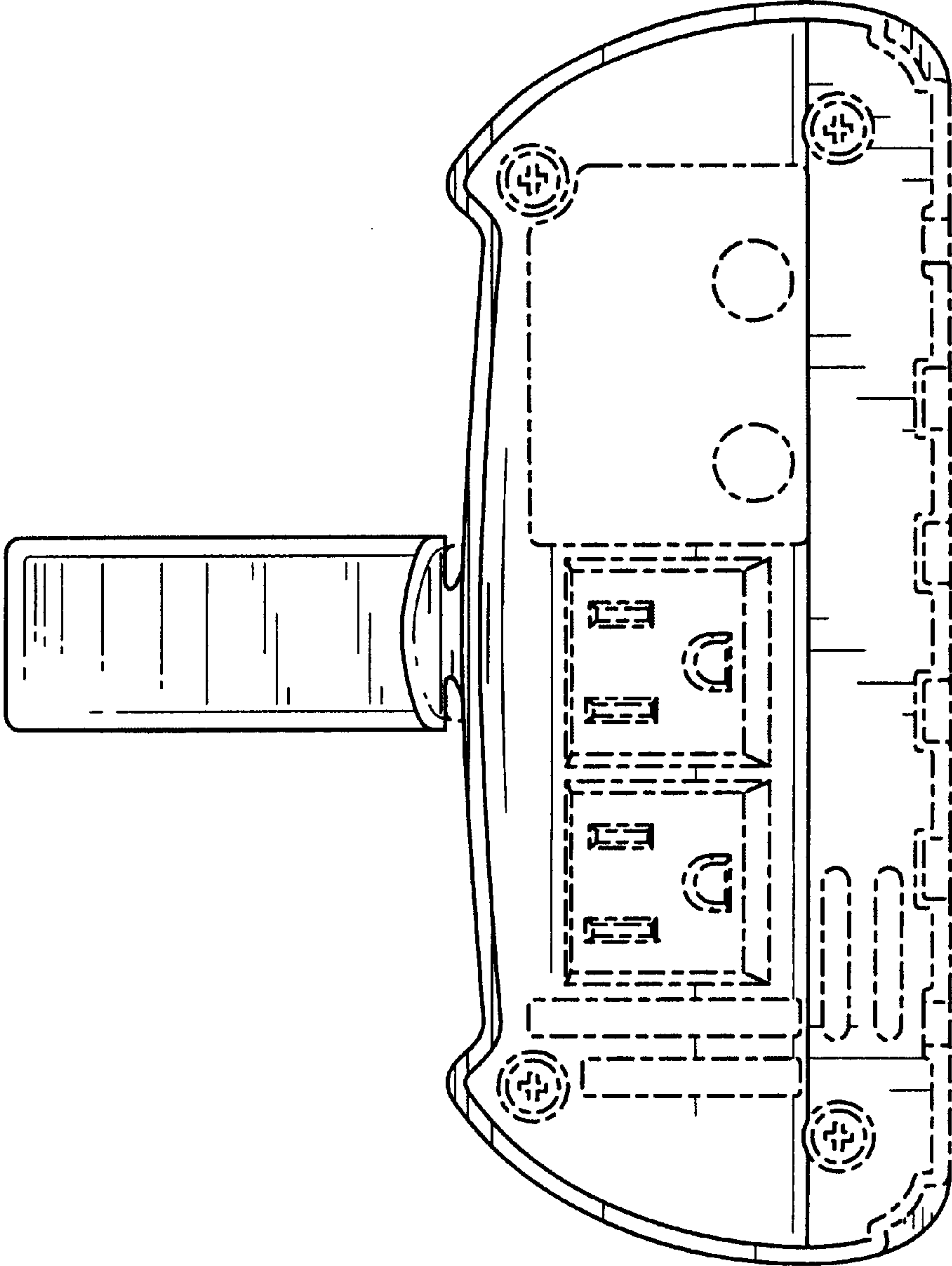


FIG. 2

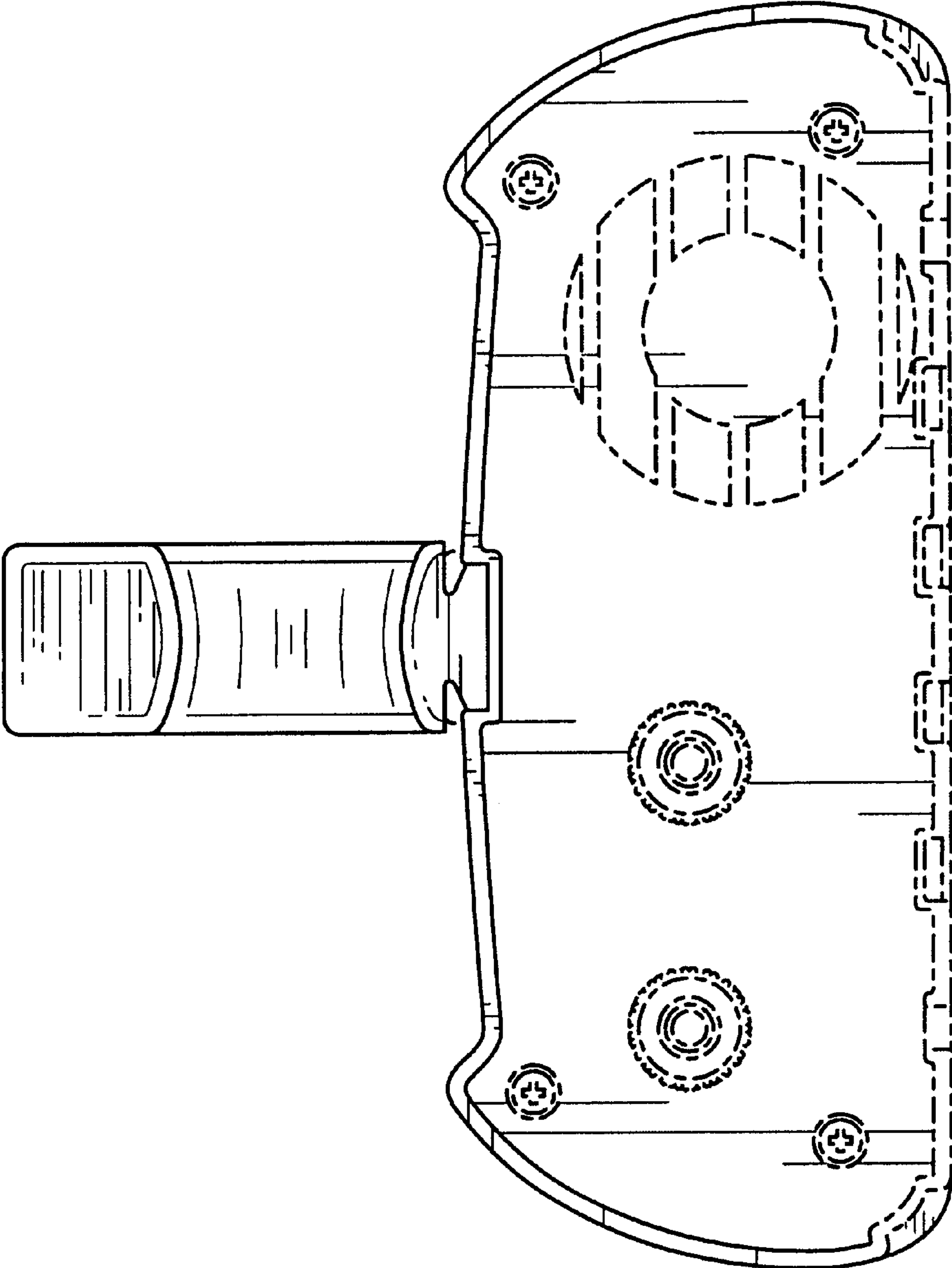


FIG. 3

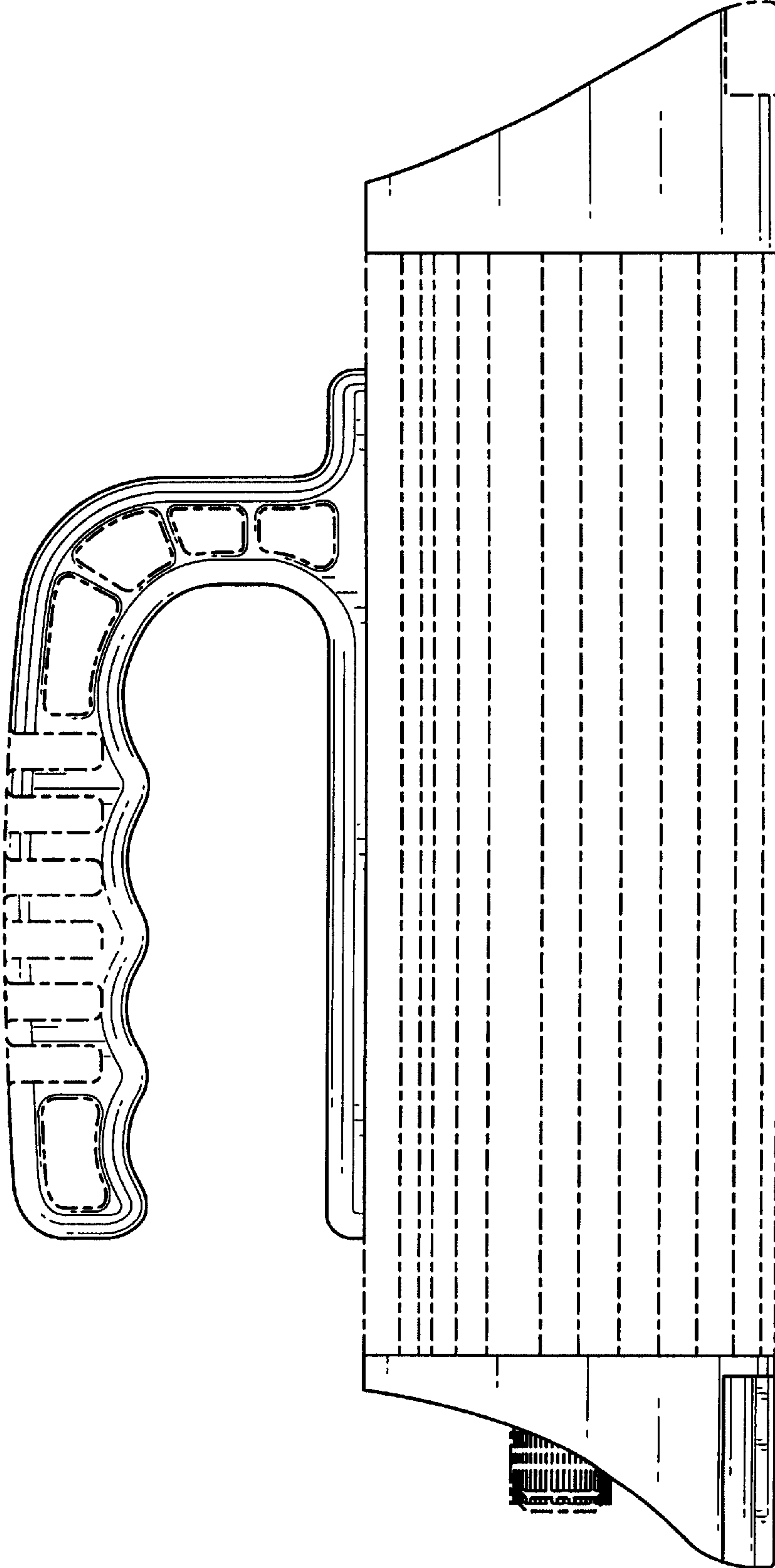


FIG. 4

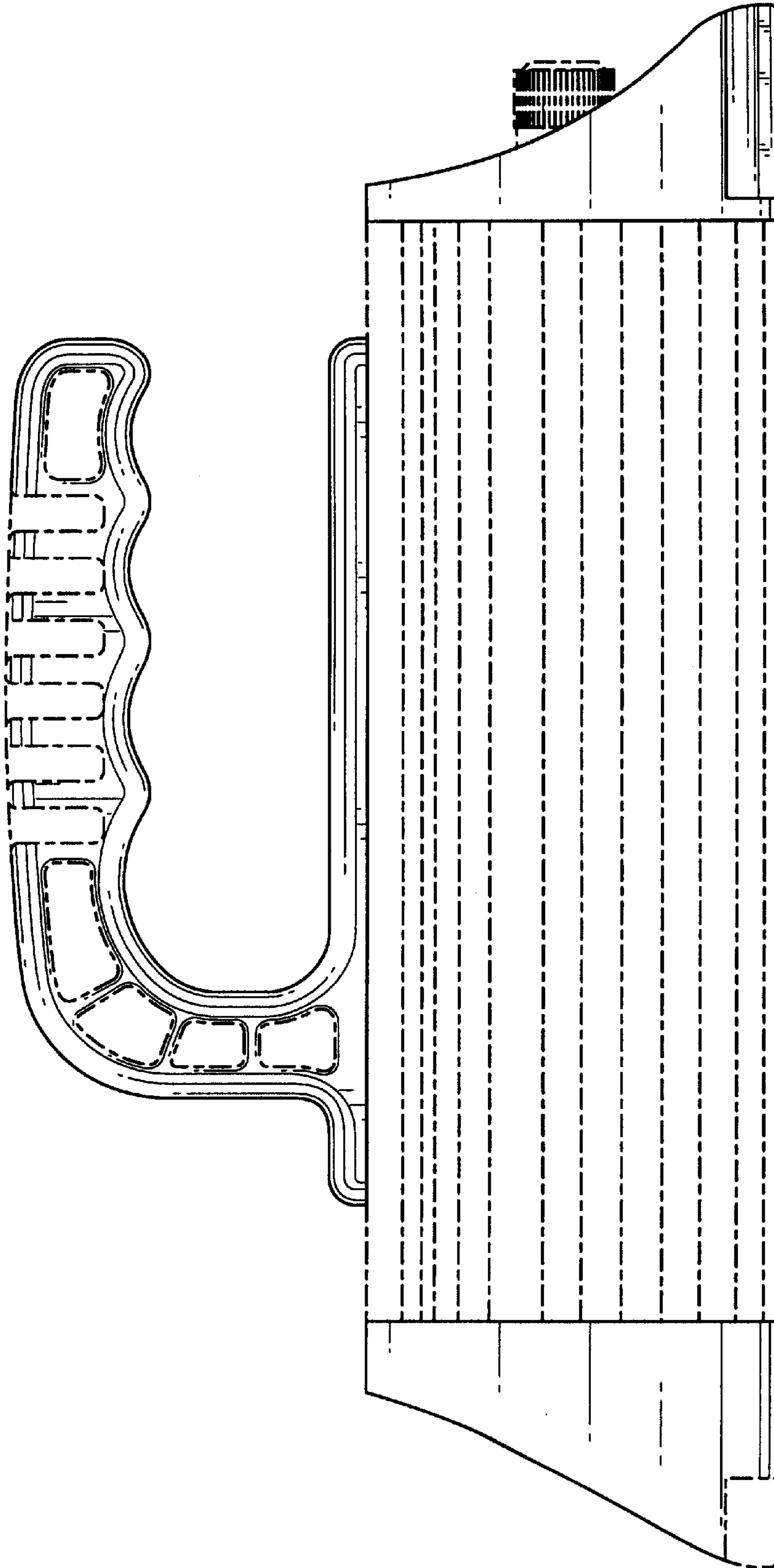


FIG. 5

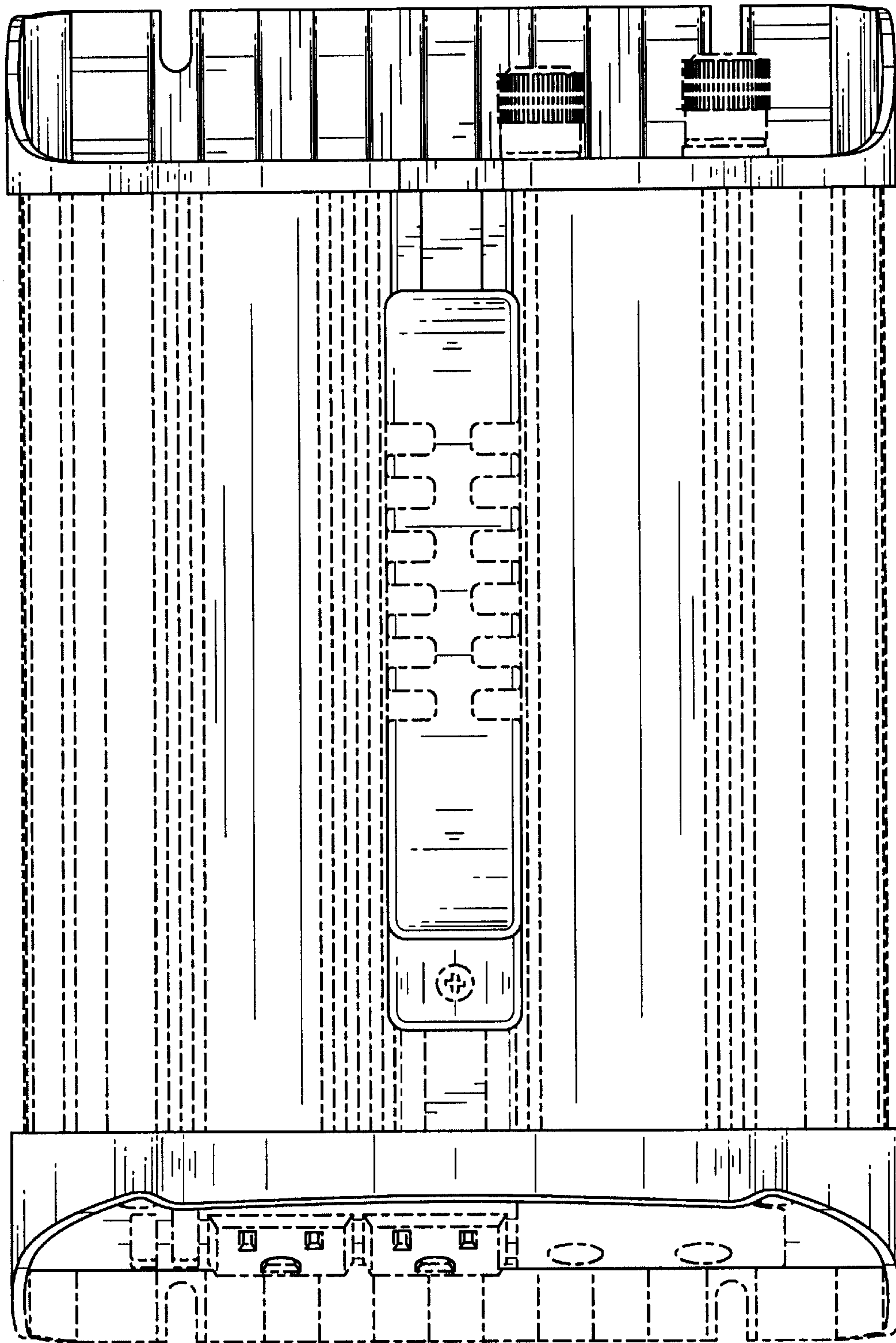


FIG. 6

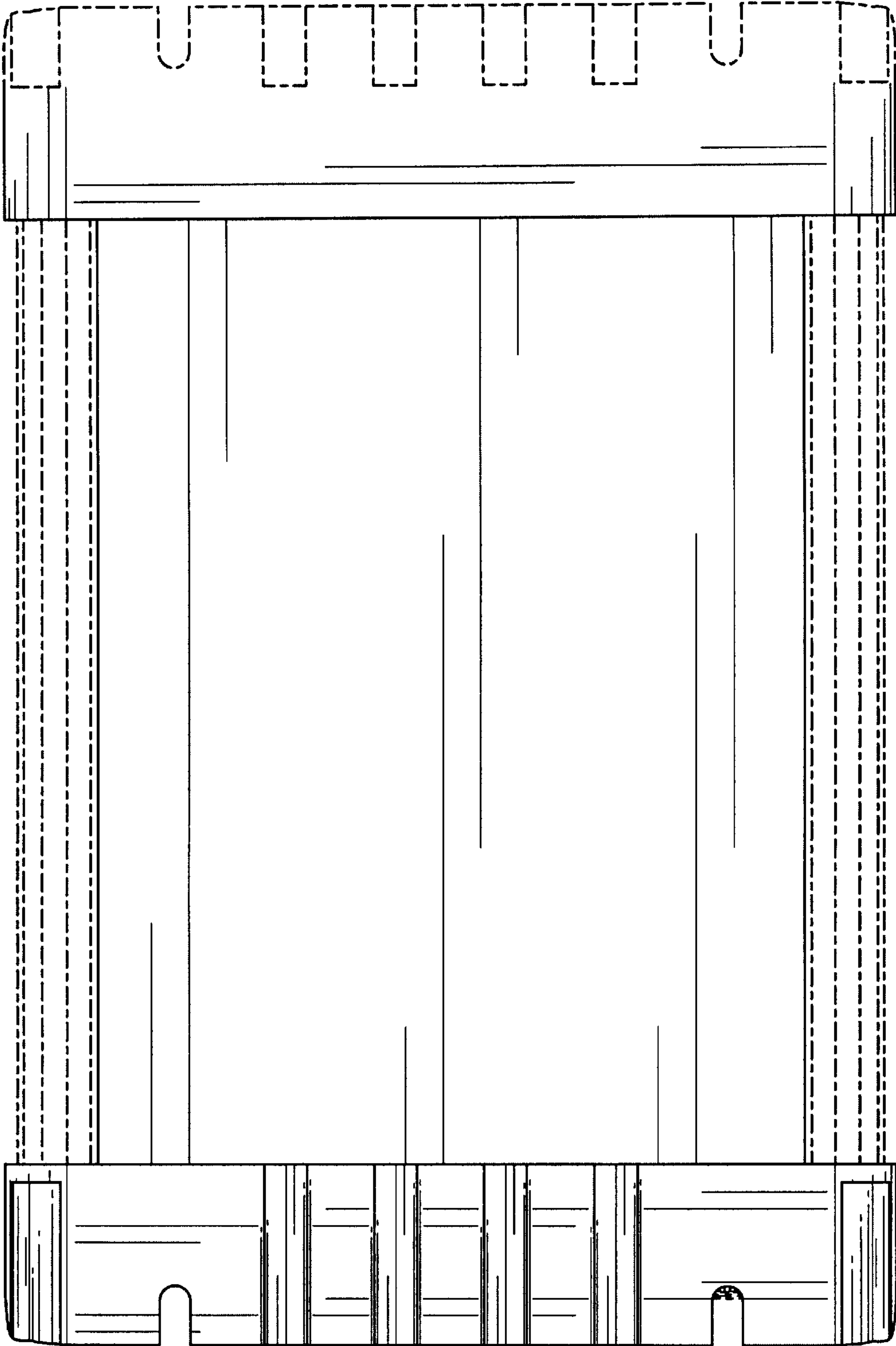


FIG. 7