

US00D503674S

(12) **United States Design Patent**
Huey

(10) **Patent No.:** **US D503,674 S**

(45) **Date of Patent:** **** Apr. 5, 2005**

(54) **BATTERY PACK**

(76) Inventor: **Yang Eng Huey**, 1 North Bridge Road,
#02-27 High Street Center, Singapore
(SG), 179094

(**) Term: **14 Years**

(21) Appl. No.: **29/200,520**

(22) Filed: **Feb. 27, 2004**

(51) **LOC (7) Cl.** **13-02**

(52) **U.S. Cl.** **D13/103**

(58) **Field of Search** D13/103-104,
D13/106-108, 110, 119, 184; D14/188;
429/96-100, 163, 178

(56) **References Cited**

U.S. PATENT DOCUMENTS

D130,616 S	*	12/1941	Sears	D13/103
3,861,964 A	*	1/1975	Michalko	429/82
3,864,172 A	*	2/1975	Marks	429/1
D323,809 S	*	2/1992	Ross, Jr.	D13/103
D328,888 S	*	8/1992	Zhu	D13/103
D329,431 S	*	9/1992	Wood	D14/155
6,521,374 B1	*	2/2003	Nakanishi et al.	429/178

6,562,508 B1	*	5/2003	Satoh et al.	429/53
6,605,923 B1	*	8/2003	Kellogg	320/112
2002/0114992 A1	*	8/2002	Kwan et al.	429/96

* cited by examiner

Primary Examiner—Alan P. Douglas

Assistant Examiner—Rosemary Tarca

(74) *Attorney, Agent, or Firm*—Maria Erlinda Co Sarno

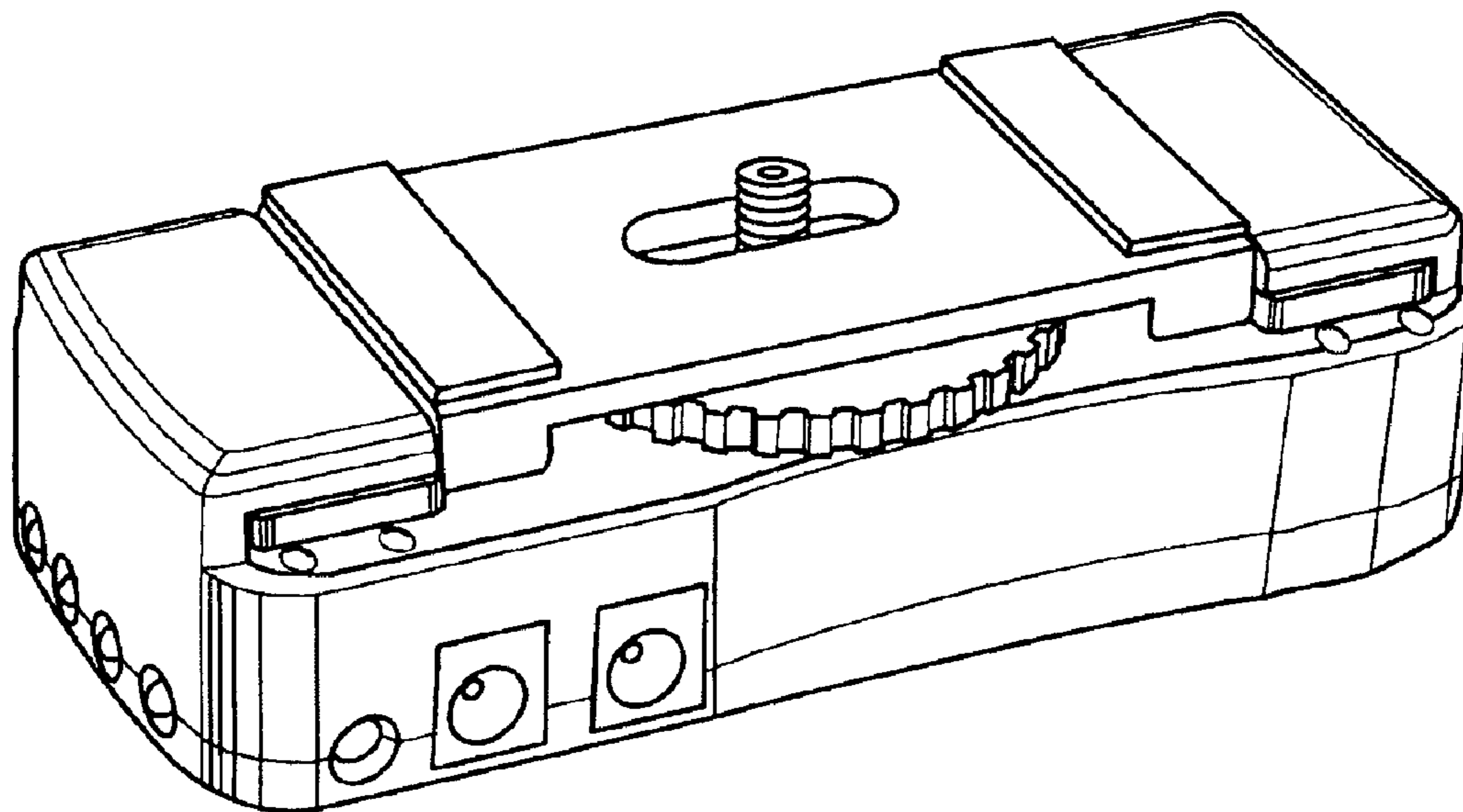
(57) **CLAIM**

The ornamental design for a battery pack, as shown and described.

DESCRIPTION

FIG. 1 is a perspective view of the battery pack showing my new design;
 FIG. 2 is an exploded view showing the visible part of the battery pack thereof;
 FIG. 3 is a front view of the battery pack thereof;
 FIG. 4 is a rear view of the battery pack thereof;
 FIG. 5 is a right side view of the battery pack thereof;
 FIG. 6 is a left side view of the battery pack thereof;
 FIG. 7 is a top plan view of the battery pack thereof; and,
 FIG. 8 is a bottom plan view of the battery pack thereof.

1 Claim, 5 Drawing Sheets



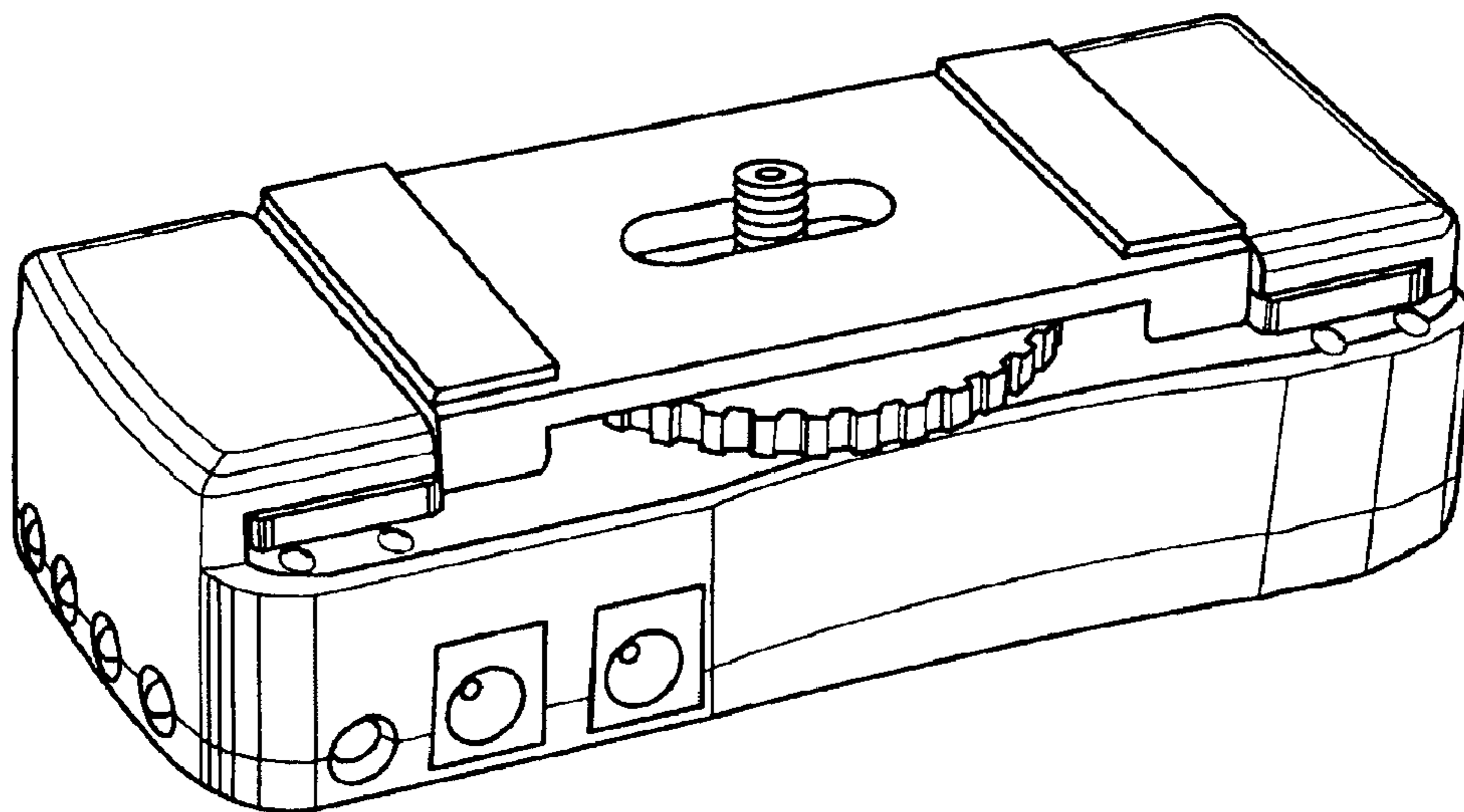


FIG. 1

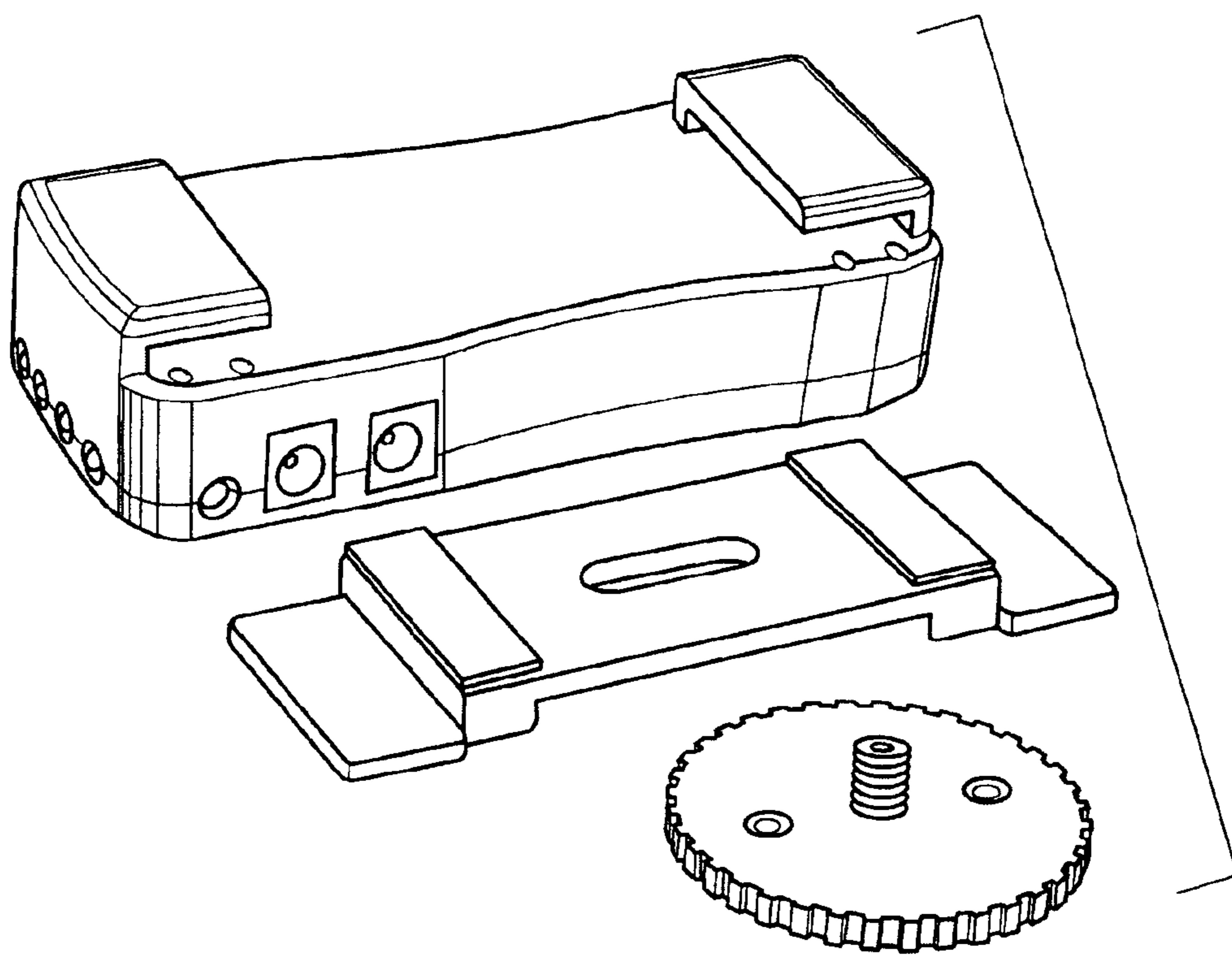


FIG. 2

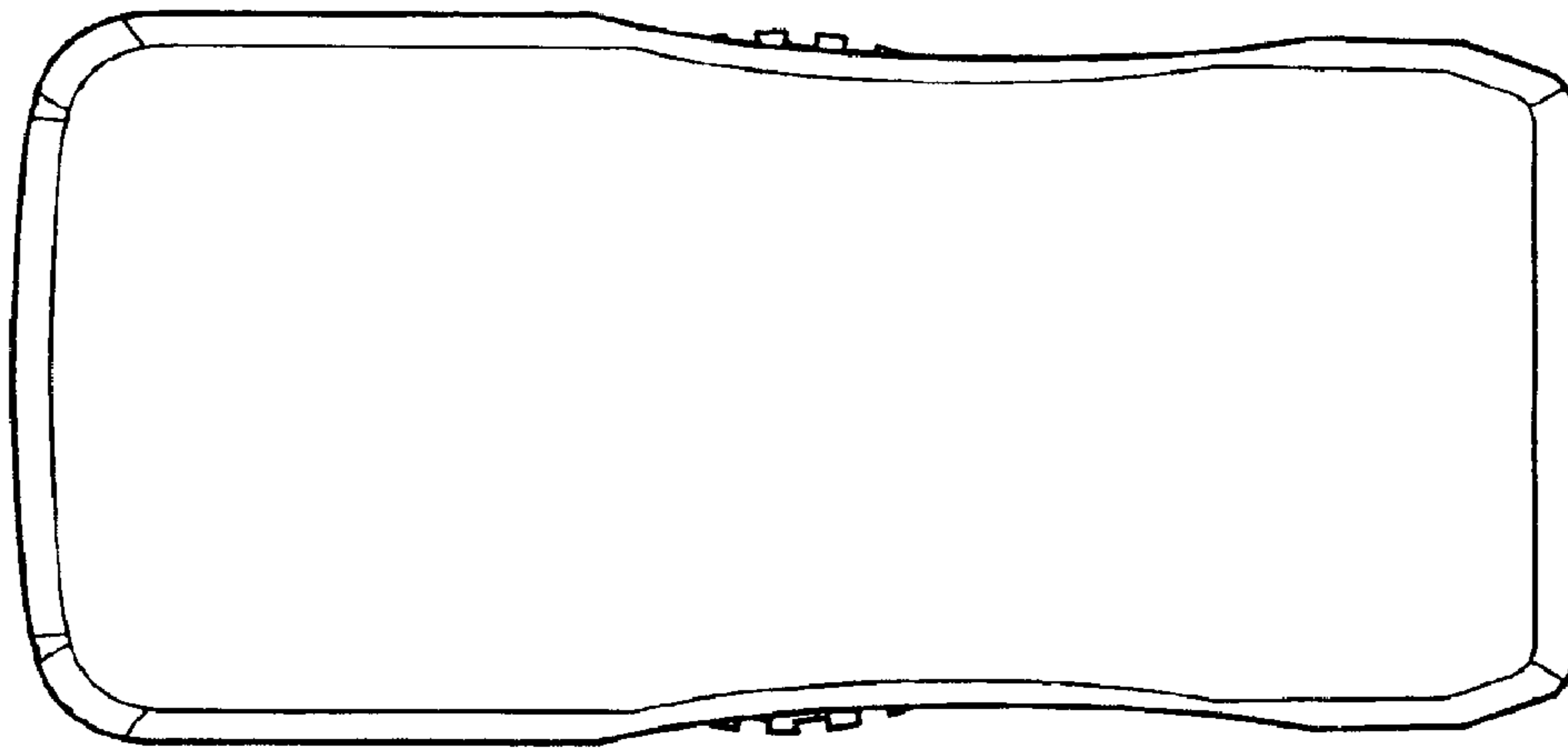


FIG. 3

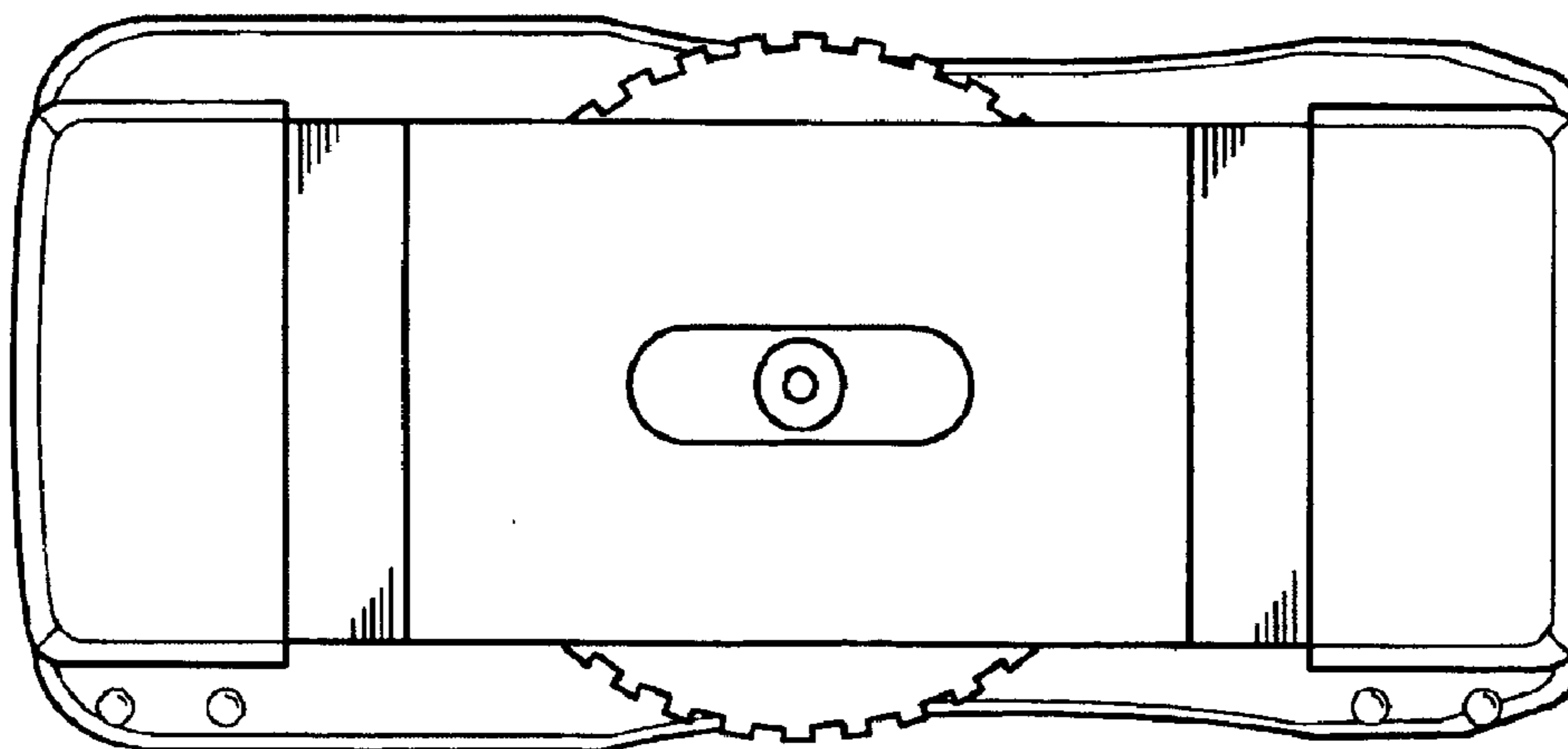


FIG. 4

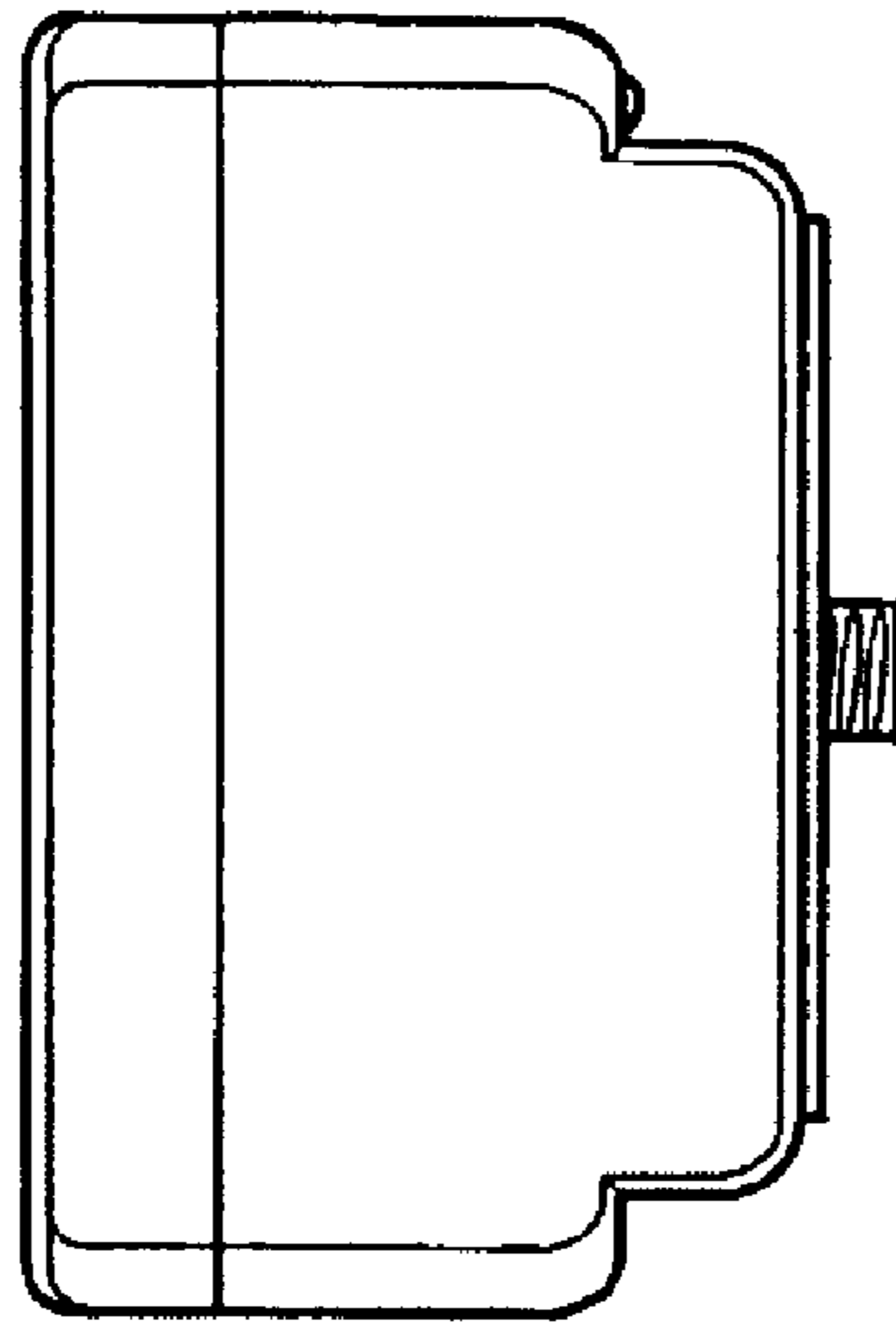


FIG. 5

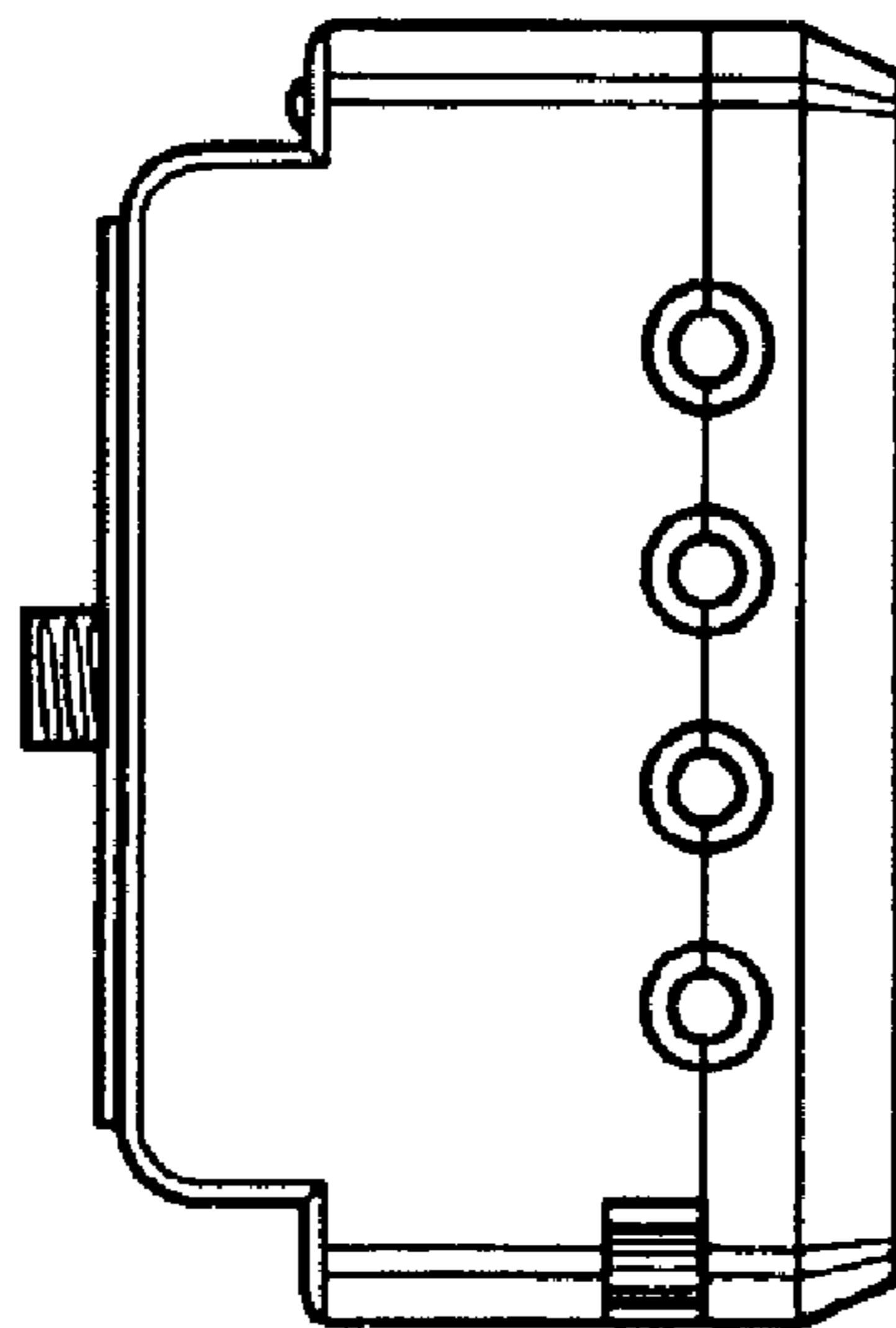


FIG. 6

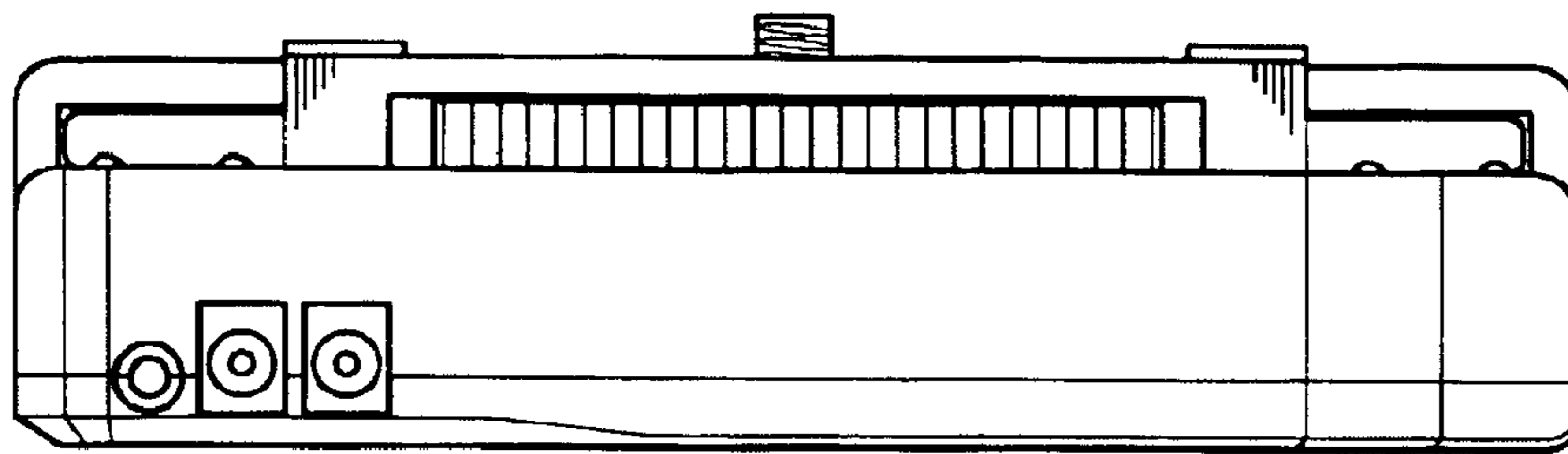


FIG. 7

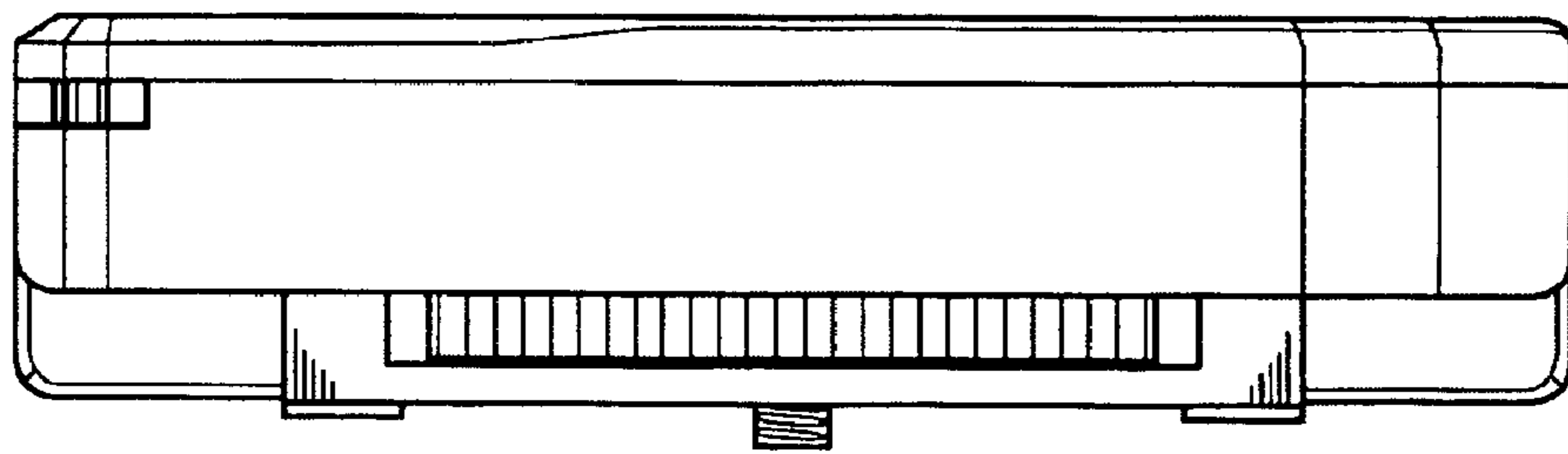


FIG. 8