

US00D503669S

(12) **United States Design Patent**
Bhambra

(10) **Patent No.:** **US D503,669 S**

(45) **Date of Patent:** **** Apr. 5, 2005**

(54) **FRONT FACE OF A VEHICLE WHEEL**

(75) **Inventor:** **Randjit Bhambra,**
Tiefenbronn-Muehlhausen (DE)

(73) **Assignee:** **Dr. Ing. h.c.F. Porsche**
Aktiengesellschaft, Stuttgart (DE)

(**) **Term:** **14 Years**

(21) **Appl. No.:** **29/207,607**

(22) **Filed:** **Jun. 17, 2004**

(30) **Foreign Application Priority Data**

Dec. 19, 2003 (DE) 4 03 08 033

(51) **LOC (7) Cl.** **12-16**

(52) **U.S. Cl.** **D12/211**

(58) **Field of Search** D12/204-213;
301/37.101, 64.101, 65

(56) **References Cited**

U.S. PATENT DOCUMENTS

D384,930 S * 10/1997 Hale, Jr. D12/209
D410,617 S * 6/1999 Hussaini et al. D12/209

D417,646 S * 12/1999 Baumgartner D12/211
D427,558 S * 7/2000 Neeper D12/211
D453,134 S * 1/2002 Murkett et al. D12/209
D471,502 S * 3/2003 McMath D12/209
D484,839 S * 1/2004 Scheu D12/209
D493,403 S * 7/2004 Kataoka D12/209

* cited by examiner

Primary Examiner—Stacia Cadmus

(74) *Attorney, Agent, or Firm*—Crowell & Moring LLP

(57) **CLAIM**

The ornamental design for a front face of a vehicle wheel, as shown and described.

DESCRIPTION

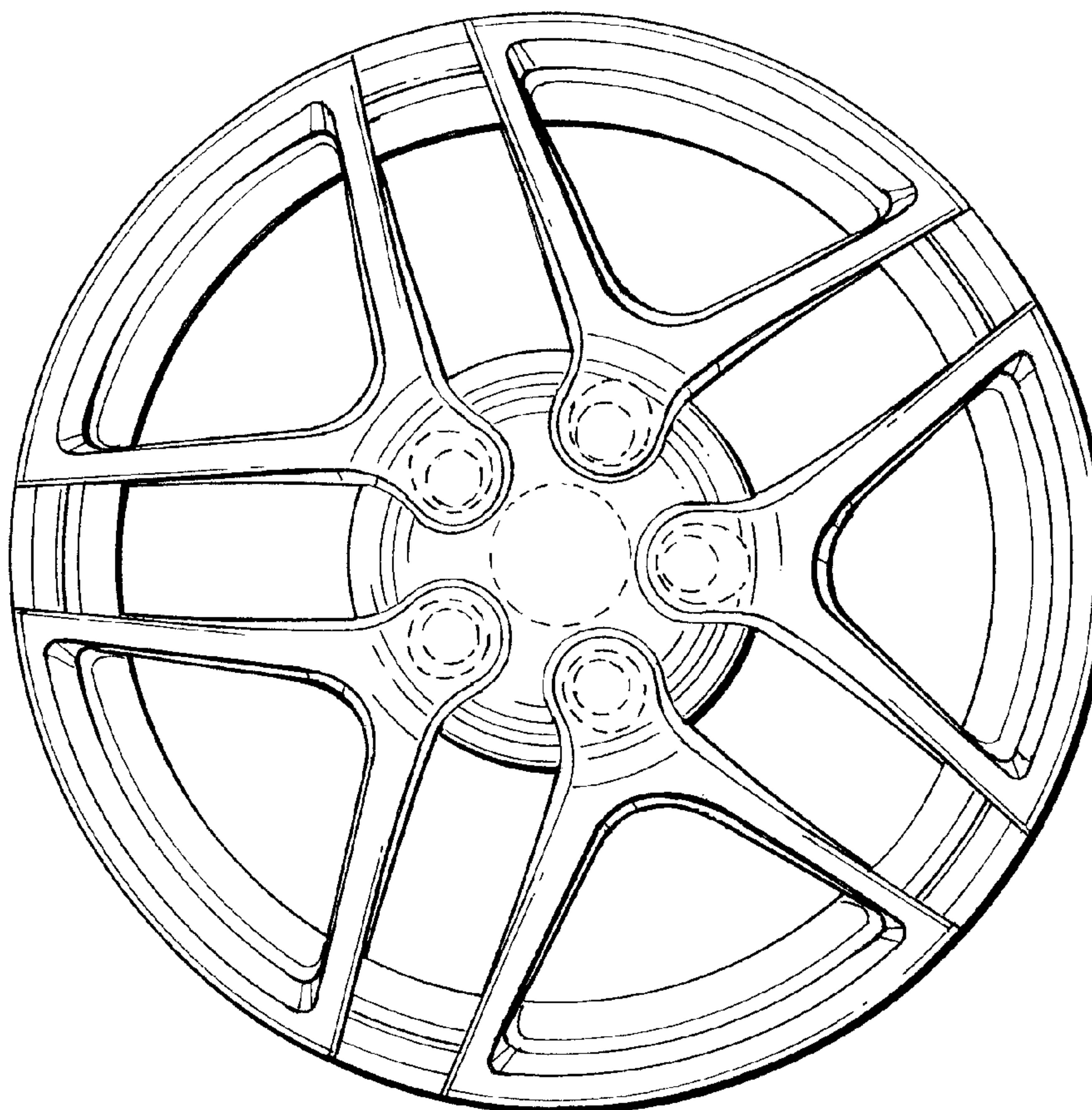
FIG. 1 is a front view of a front face of a vehicle wheel according to my novel design; and,

FIG. 2 is a perspective view of the front face of a vehicle wheel according to my novel design.

The broken lines are for illustrative purposes only and form no part of the claimed design.

Also enclosed is a set of photographs of an embodiment of the invention.

1 Claim, 1 Drawing Sheet



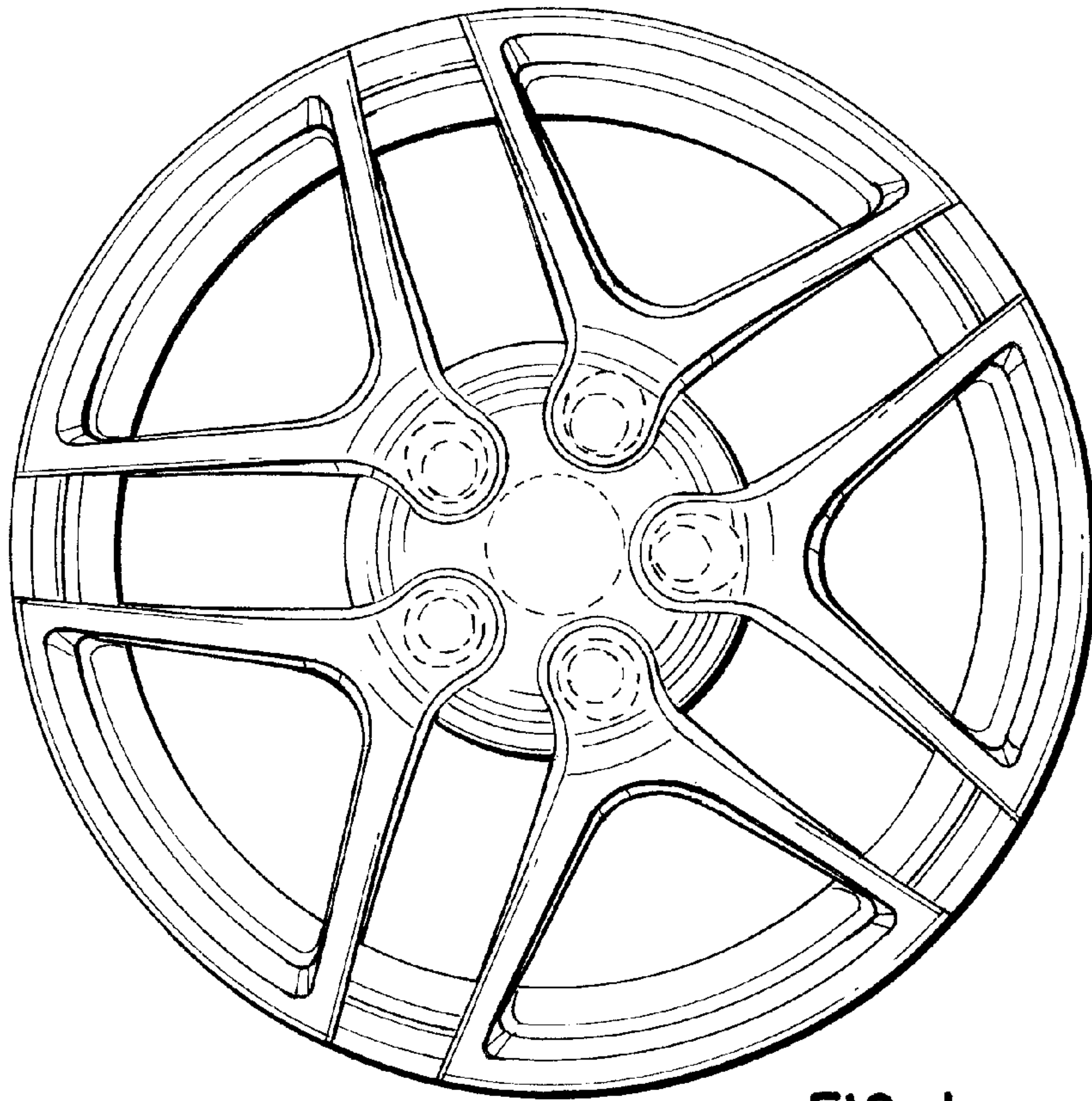


FIG. 1

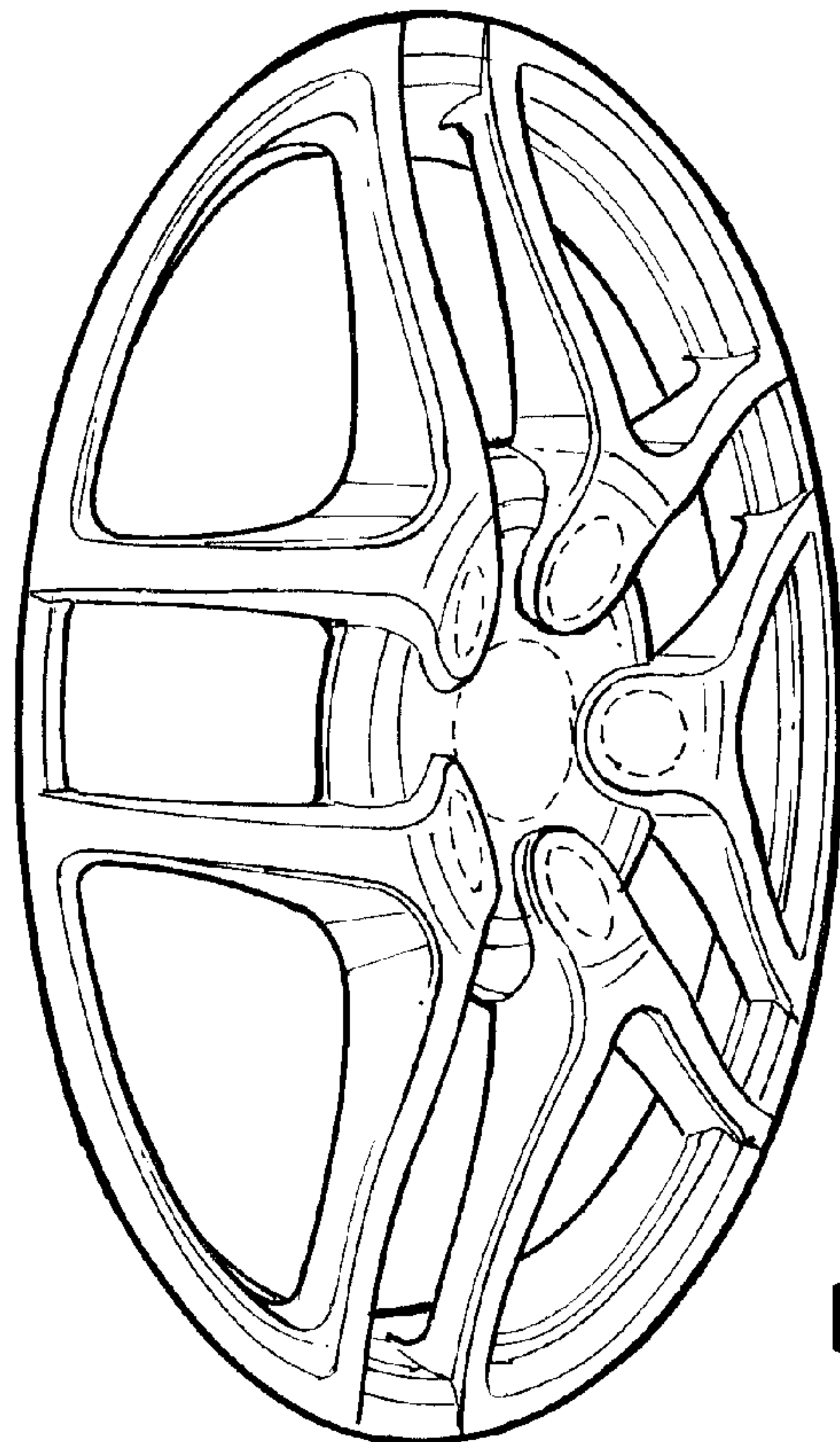


FIG. 2