



US00D503668S

(12) **United States Design Patent**  
**Boyer**

(10) **Patent No.:** **US D503,668 S**  
(45) **Date of Patent:** **\*\* Apr. 5, 2005**

(54) **FRONT FACE OF A VEHICLE WHEEL**

(75) **Inventor:** **Boyke Boyer, Ismaning (DE)**

(73) **Assignee:** **Bayerische Motoren Werke  
Aktiengesellschaft, Munich (DE)**

(\*\*) **Term:** **14 Years**

(21) **Appl. No.:** **29/178,640**

(22) **Filed:** **Mar. 31, 2003**

(30) **Foreign Application Priority Data**

Oct. 1, 2002 (DE) ..... 4 02 08 288

(51) **LOC (7) Cl.** ..... **12-16**

(52) **U.S. Cl.** ..... **D12/209**

(58) **Field of Search** ..... D12/204-213;  
301/37.101, 64.101, 65

(56) **References Cited**

**U.S. PATENT DOCUMENTS**

- D438,505 S \* 3/2001 McMath ..... D12/211
- D460,037 S \* 7/2002 Takechi ..... D12/211
- D469,048 S \* 1/2003 van Hooydonk ..... D12/209

- D477,262 S \* 7/2003 Koch ..... D12/209
- D487,046 S \* 2/2004 Yamagishi ..... D12/209
- D487,881 S \* 3/2004 Laengerer ..... D12/209
- D488,420 S \* 4/2004 Murkett et al. .... D12/209
- D492,235 S \* 6/2004 Nordmann ..... D12/211

**FOREIGN PATENT DOCUMENTS**

DE 40104441 9/2001

\* cited by examiner

*Primary Examiner*—Stacia Cadmus

(74) *Attorney, Agent, or Firm*—Crowell & Moring LLP

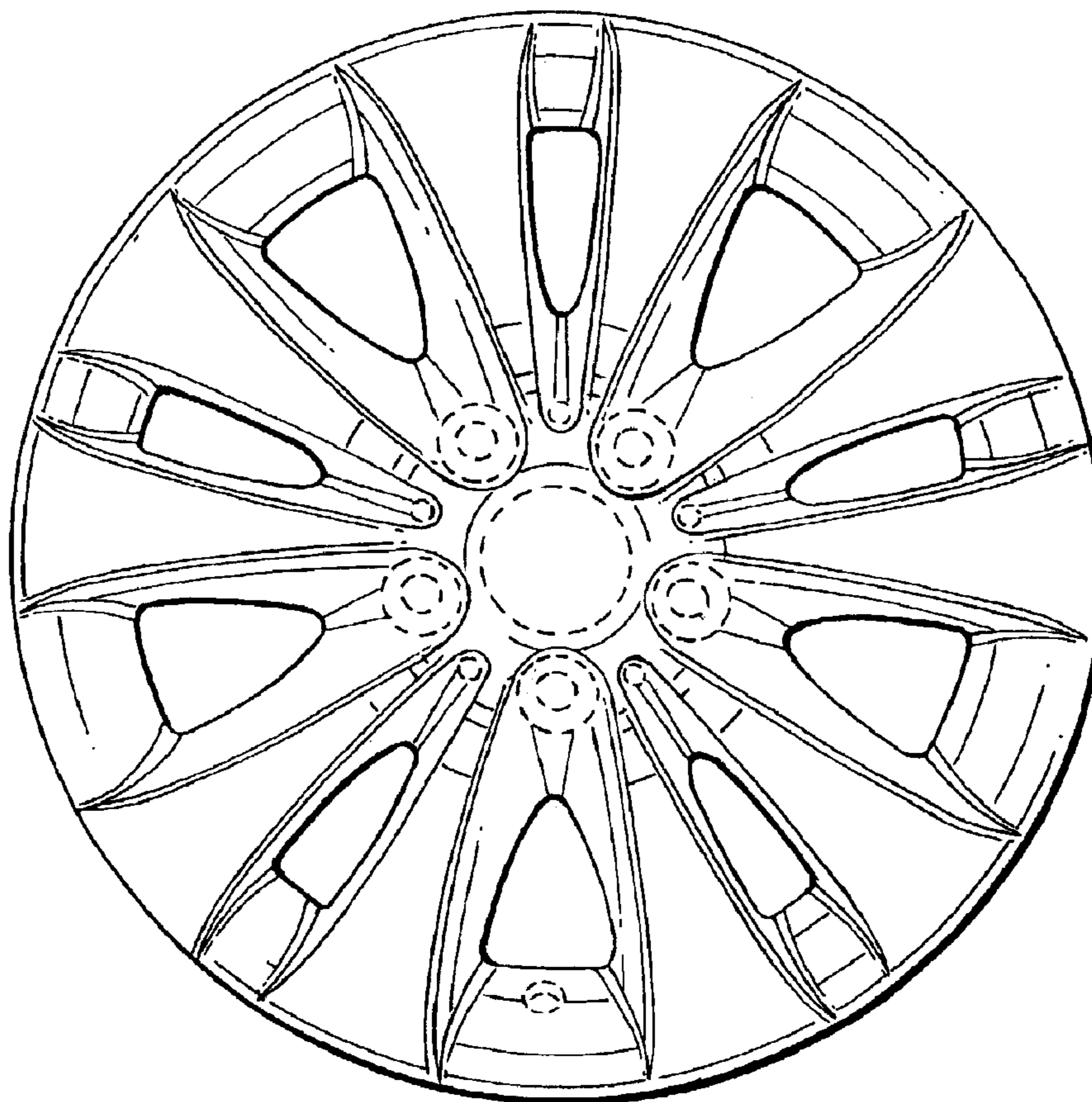
(57) **CLAIM**

The ornamental design for a front face of a vehicle wheel,  
as shown and described.

**DESCRIPTION**

FIG. 1 is a front view of a front face of a vehicle wheel  
according to my novel design; and,  
FIG. 2 is a perspective view of the front face of a vehicle  
wheel according to my novel design.  
The dash lines included depict environment and are not part  
of the claimed design.

**1 Claim, 1 Drawing Sheet**



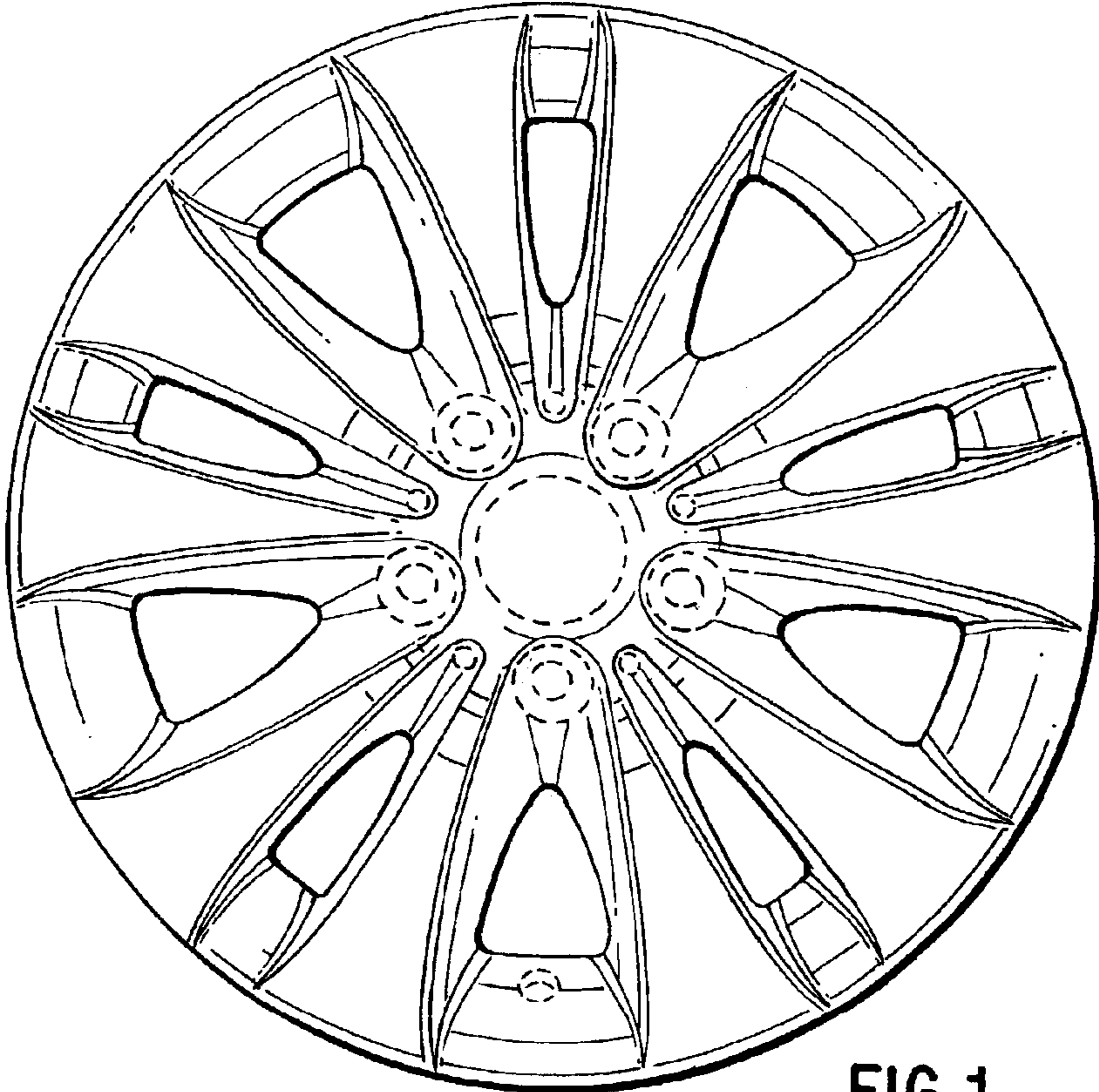


FIG. 1

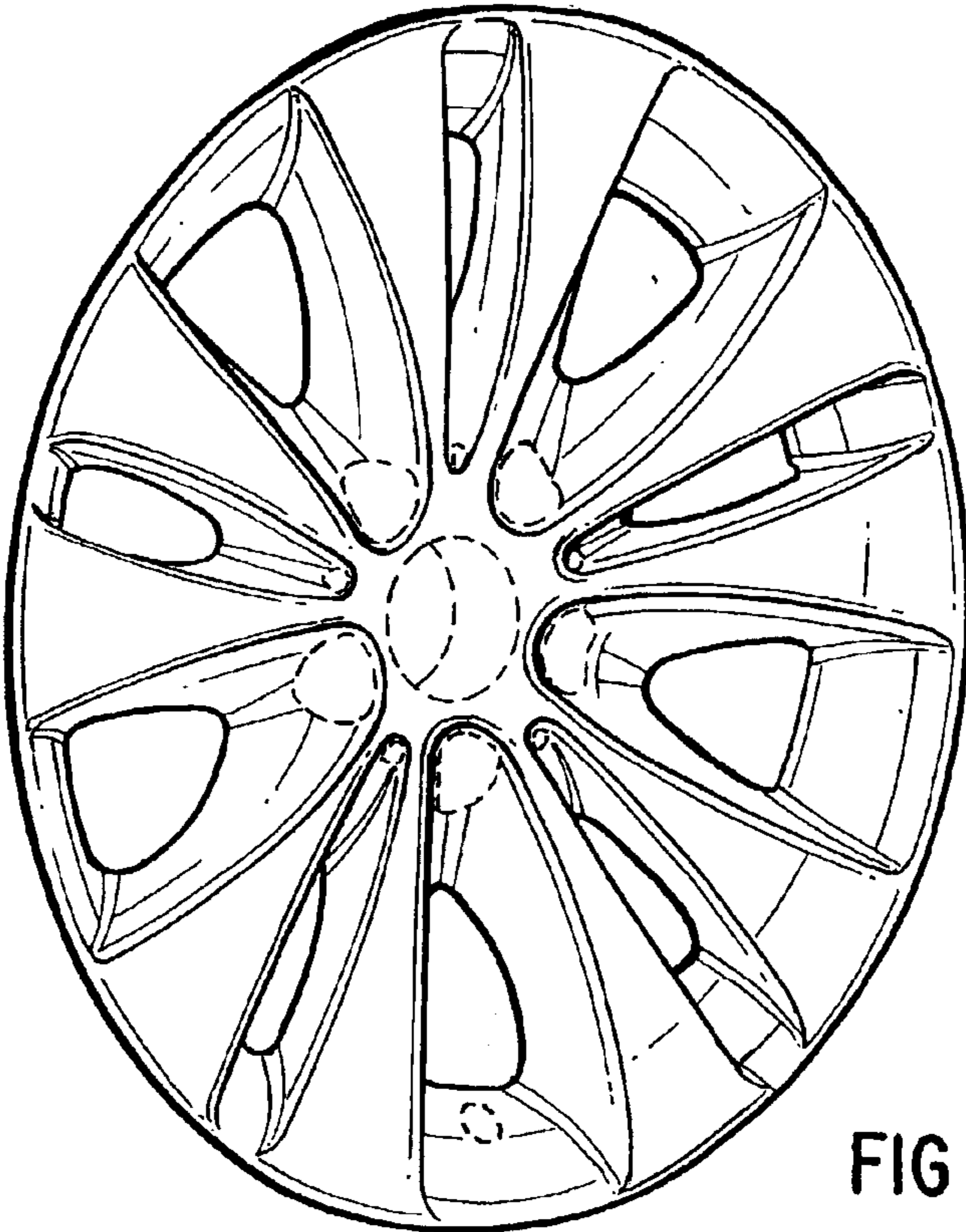


FIG. 2