

US00D503664S

(12) **United States Design Patent**
Ohta

(10) **Patent No.:** **US D503,664 S**
(45) **Date of Patent:** **** Apr. 5, 2005**

(54) **GRILL FOR AN AUTOMOBILE**

FOREIGN PATENT DOCUMENTS

(75) **Inventor:** **Fumito Ohta, Saitama (JP)**

DE	400 00 644	5/2000
DE	402 02 370	6/2002
JP	1143321	6/2002

(73) **Assignee:** **Honda Giken Kogyo Kabushiki Kaisha, Tokyo (JP)**

* cited by examiner

(**) **Term:** **14 Years**

Primary Examiner—Melody N. Brown

(21) **Appl. No.:** **29/188,062**

(74) *Attorney, Agent, or Firm*—Westerman, Hattori, Daniels & Adrian, LLP

(22) **Filed:** **Aug. 13, 2003**

(57) **CLAIM**

(30) **Foreign Application Priority Data**

The ornamental design for a, grill for an automobile, as shown and described.

Feb. 20, 2003 (JP) 2003-004145

DESCRIPTION

(51) **LOC (7) Cl.** **12-16**

FIG. 1 is a front elevation view of a grill for an automobile, showing our new design;

(52) **U.S. Cl.** **D12/163**

FIG. 2 is a rear elevation view thereof;

(58) **Field of Search** D12/163, 171,

FIG. 3 is a top plan view thereof;

D12/90-92, 216, 169, 196; 180/68.1, 68.6; 296/194

FIG. 4 is a bottom plan view thereof;

(56) **References Cited**

FIG. 5 is a right side elevation view thereof;

U.S. PATENT DOCUMENTS

FIG. 6 is a left side elevation view thereof;

D464,296 S * 10/2002 Nemoto D12/163

FIG. 7 is a perspective view thereof; and,

D473,496 S * 4/2003 Tanabe et al. D12/163

FIG. 8 is a another perspective view thereof.

D475,329 S * 6/2003 Okumoto et al. D12/163

D486,764 S * 2/2004 Tachibana D12/163

1 Claim, 8 Drawing Sheets

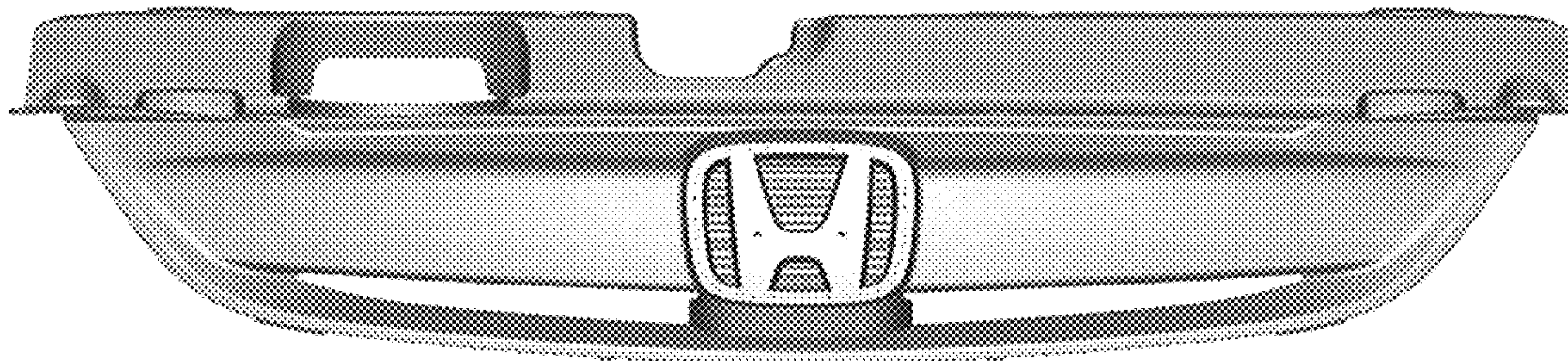


Fig. 1

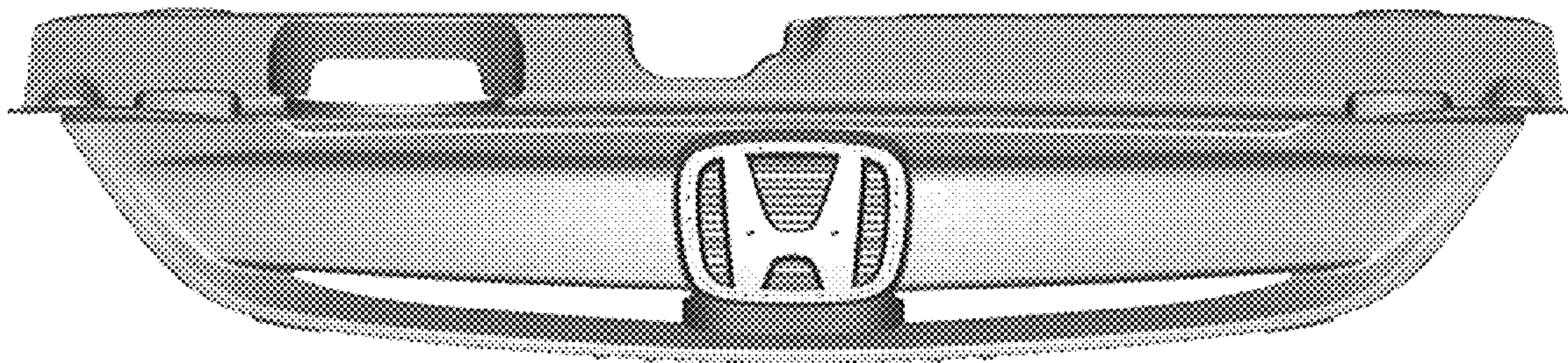


Fig. 2

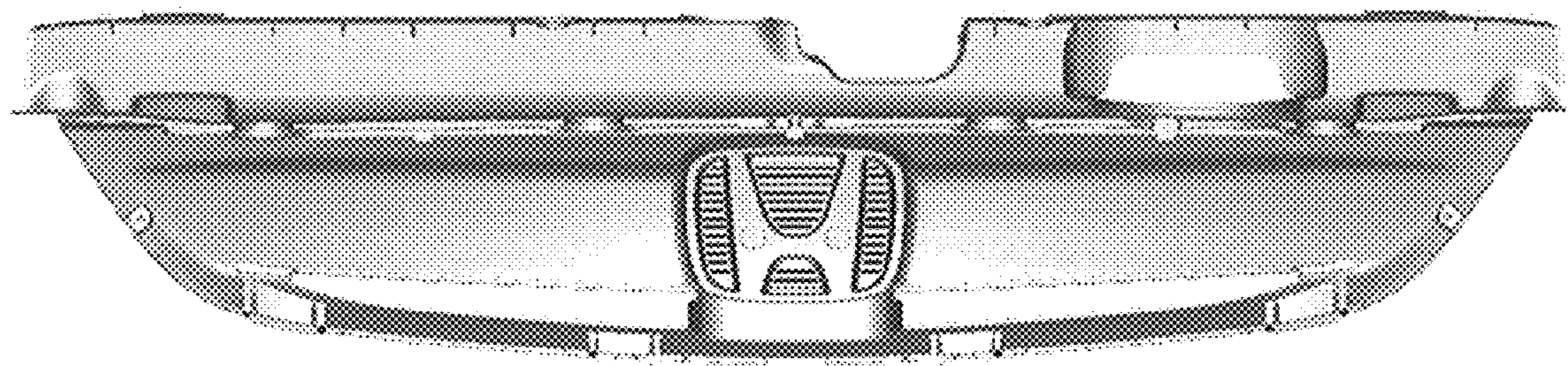


Fig. 3

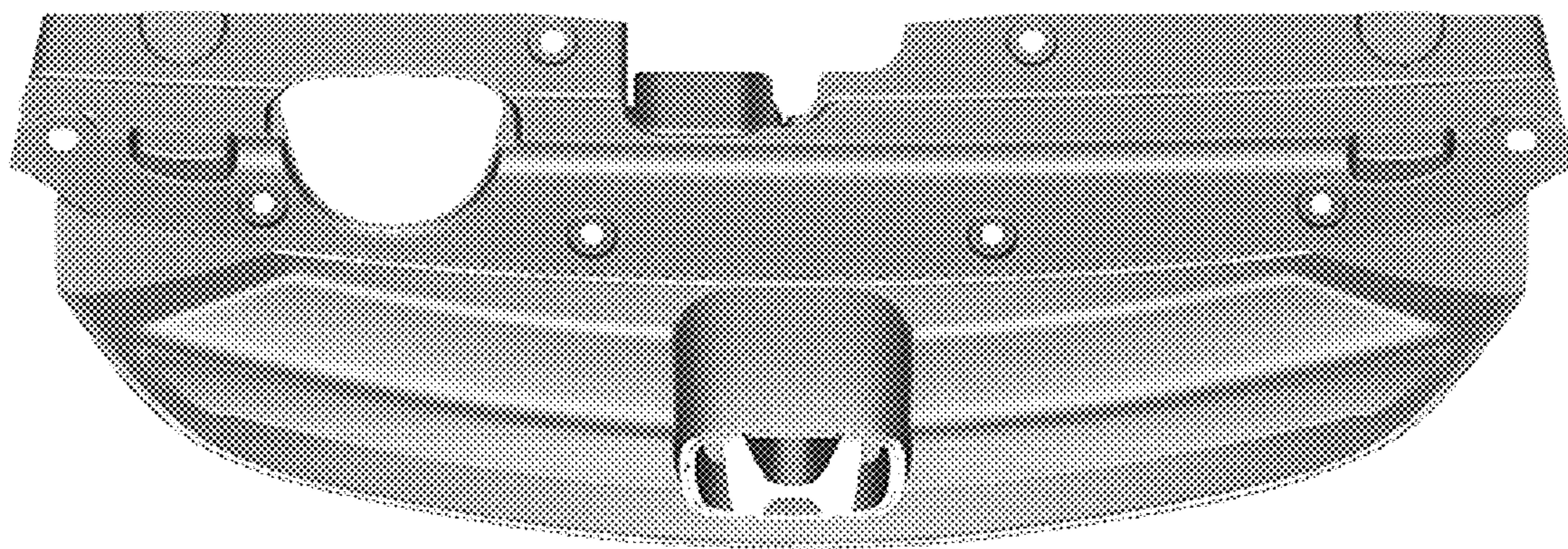


Fig. 4

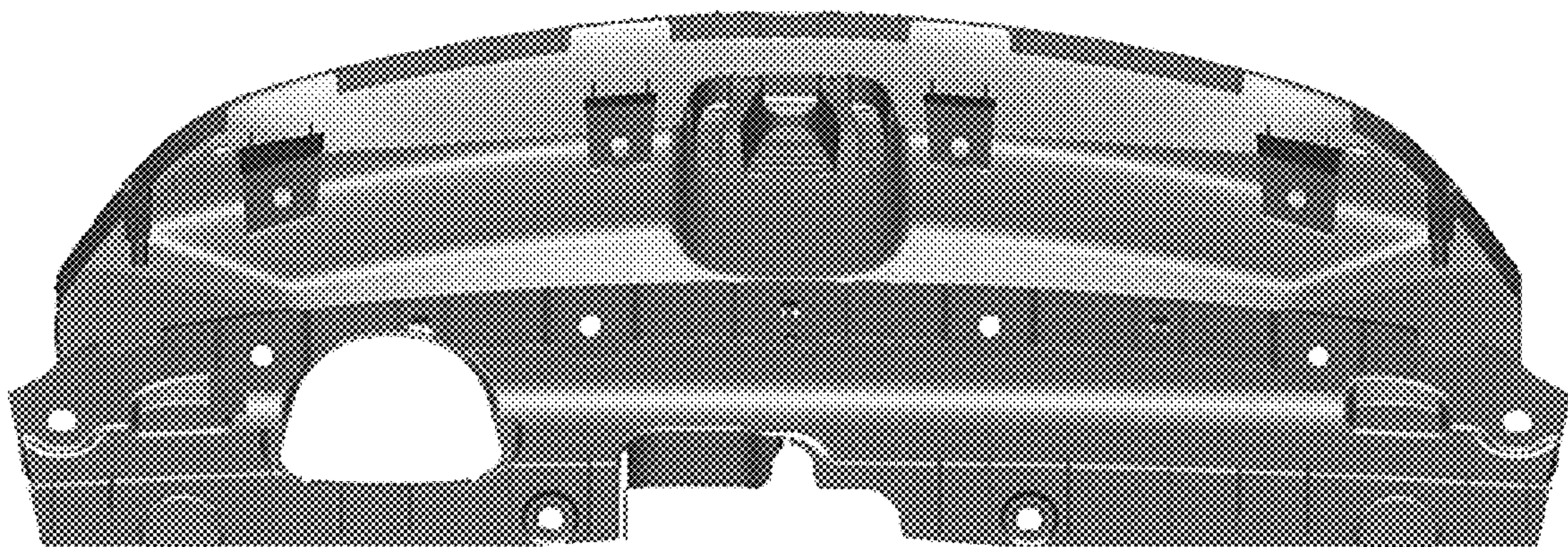


Fig. 5

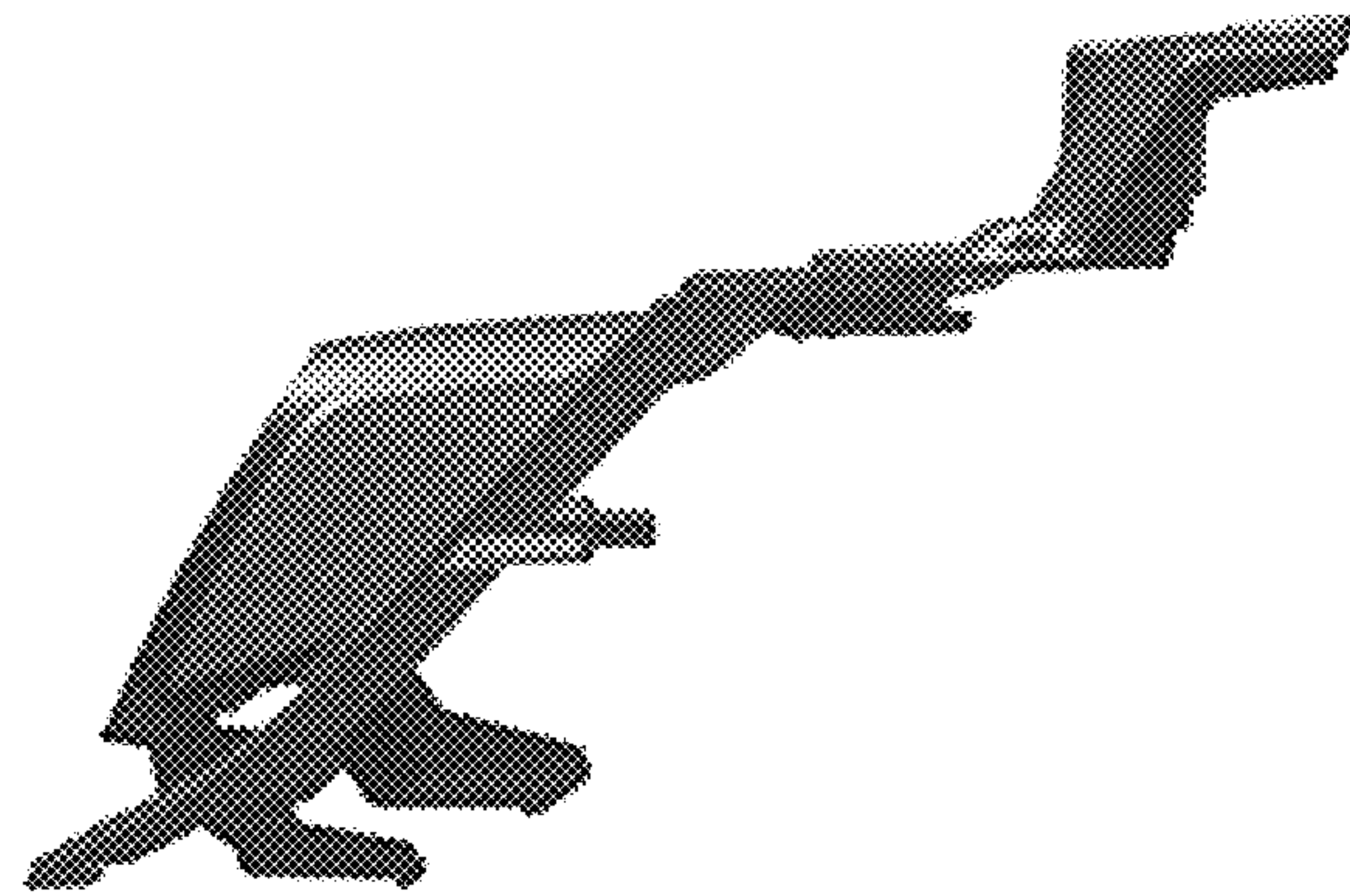


Fig. 6

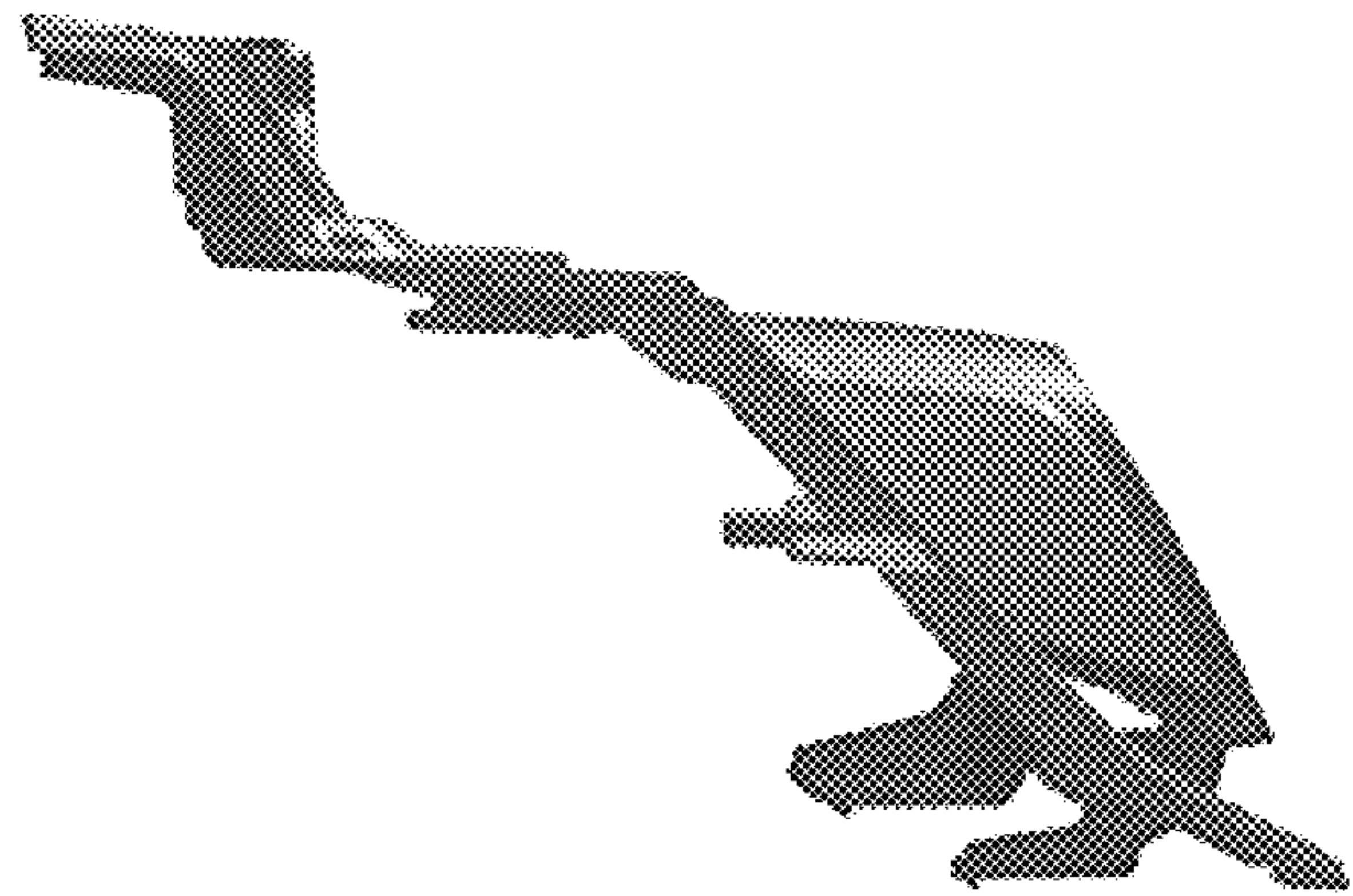


Fig. 7

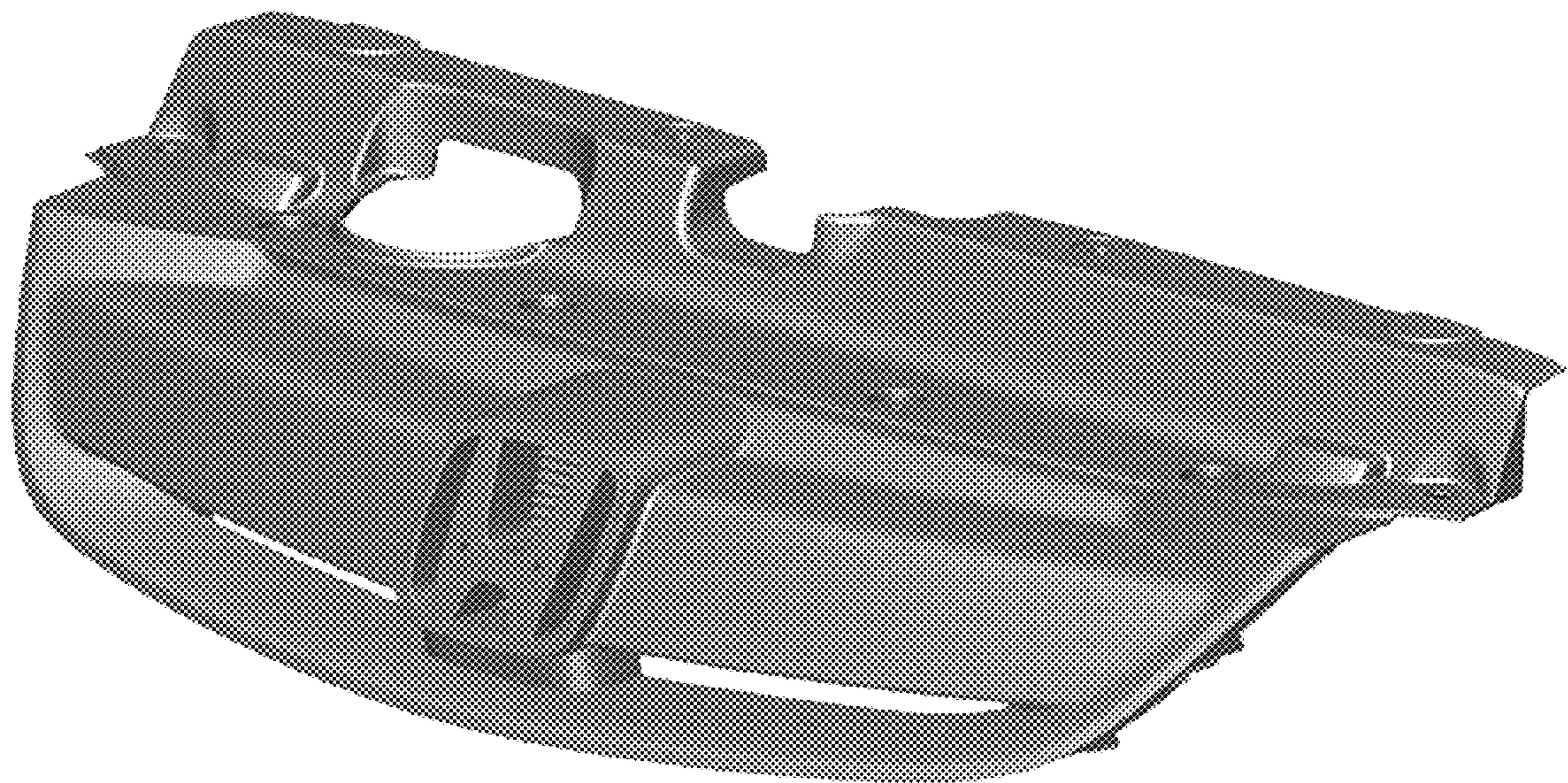


Fig. 8

