



US00D503663S

(12) **United States Design Patent**
Kolflat

(10) **Patent No.:** **US D503,663 S**

(45) **Date of Patent:** **** Apr. 5, 2005**

(54) **TRAILER HITCH RECEIVER COVER**

(76) **Inventor:** **Leif Kolflat**, 853 Sanders Rd., #301,
Northbrook, IL (US) 60062

(**) **Term:** **14 Years**

(21) **Appl. No.:** **29/209,224**

(22) **Filed:** **Jul. 13, 2004**

(51) **LOC (7) Cl.** **12-16**

(52) **U.S. Cl.** **D12/162**

(58) **Field of Search** D12/162, 400;
D9/435; D23/260; 138/89, 89.1-89.4; 211/14;
293/122; 280/507, 477, 493-495, 415-416.3,
504, 510-513; 40/200, 209, 591

(56) **References Cited**

U.S. PATENT DOCUMENTS

- D419,505 S * 1/2000 Deerman D12/162
- D424,991 S * 5/2000 Young et al. D12/162
- D425,460 S * 5/2000 Peroni D12/162
- D425,833 S * 5/2000 Robinson D12/162

- D426,798 S * 6/2000 Peroni D12/162
- D444,433 S * 7/2001 McBroom et al. D12/162
- D466,845 S * 12/2002 Kutzscher D12/162
- D480,338 S * 10/2003 Harwood D12/162
- D483,704 S * 12/2003 Fandrich D12/162

* cited by examiner

Primary Examiner—Stacia Cadmus

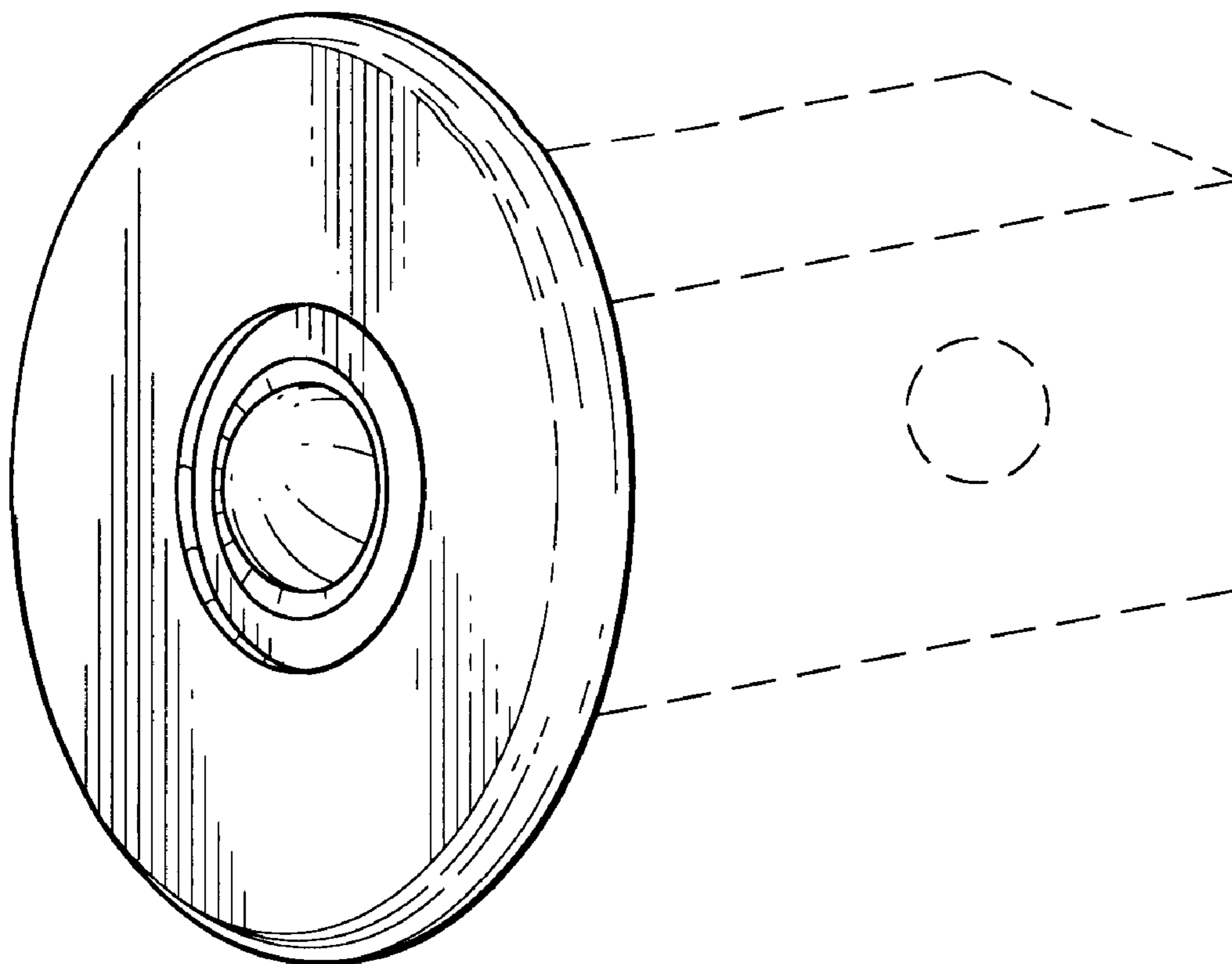
(57) **CLAIM**

The ornamental design for a trailer hitch receiver cover, as shown and described.

DESCRIPTION

FIG. 1 is a perspective view of a trailer hitch receiver cover showing my new design;
 FIG. 2 is a right side elevational view of thereof, all sides being identical;
 FIG. 3 is a front elevational view thereof; and,
 FIG. 4 is a back plan view thereof.
 The broken lines shown in the drawing are environmental only and form no part of the claimed design.

1 Claim, 1 Drawing Sheet



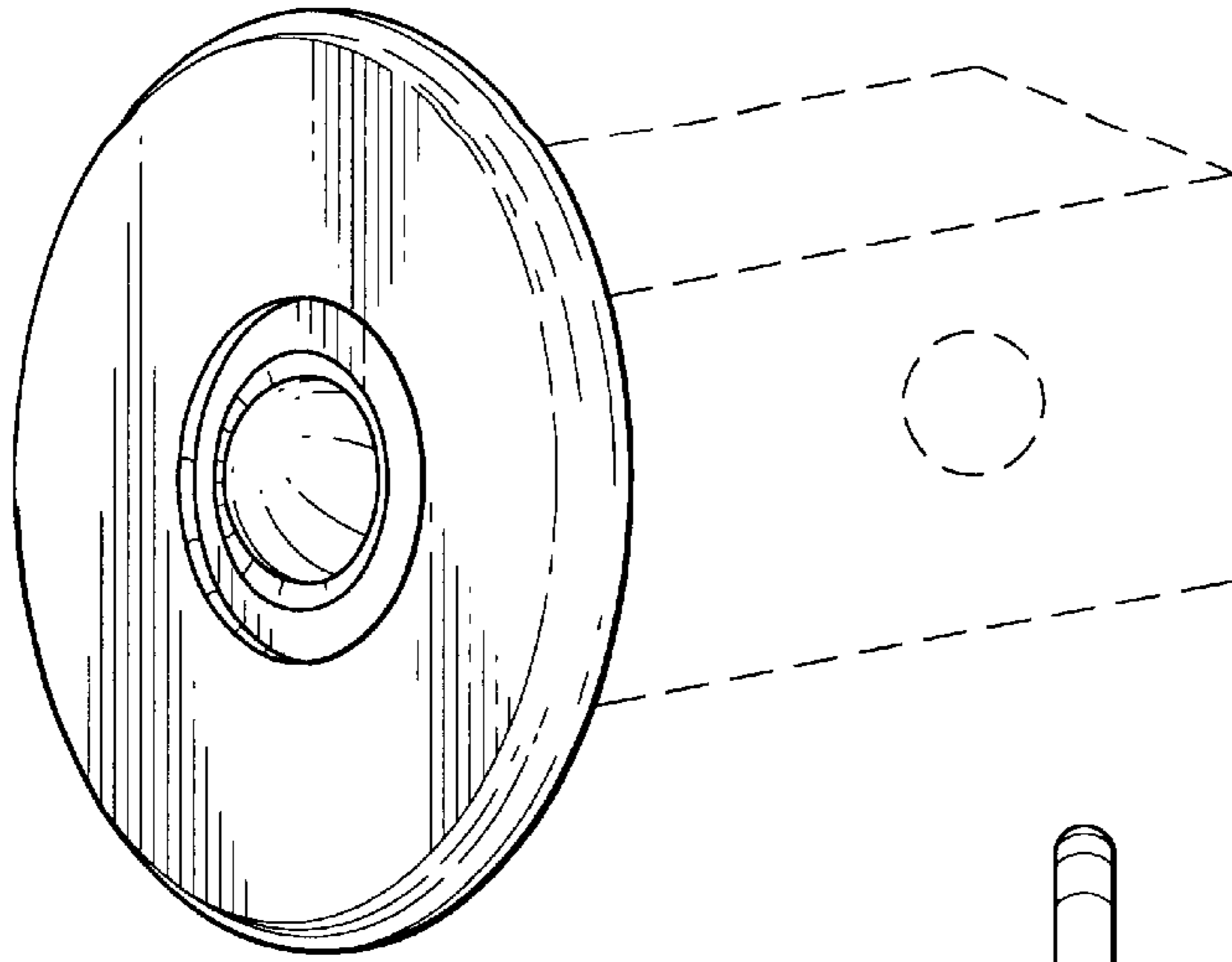


FIG. 1

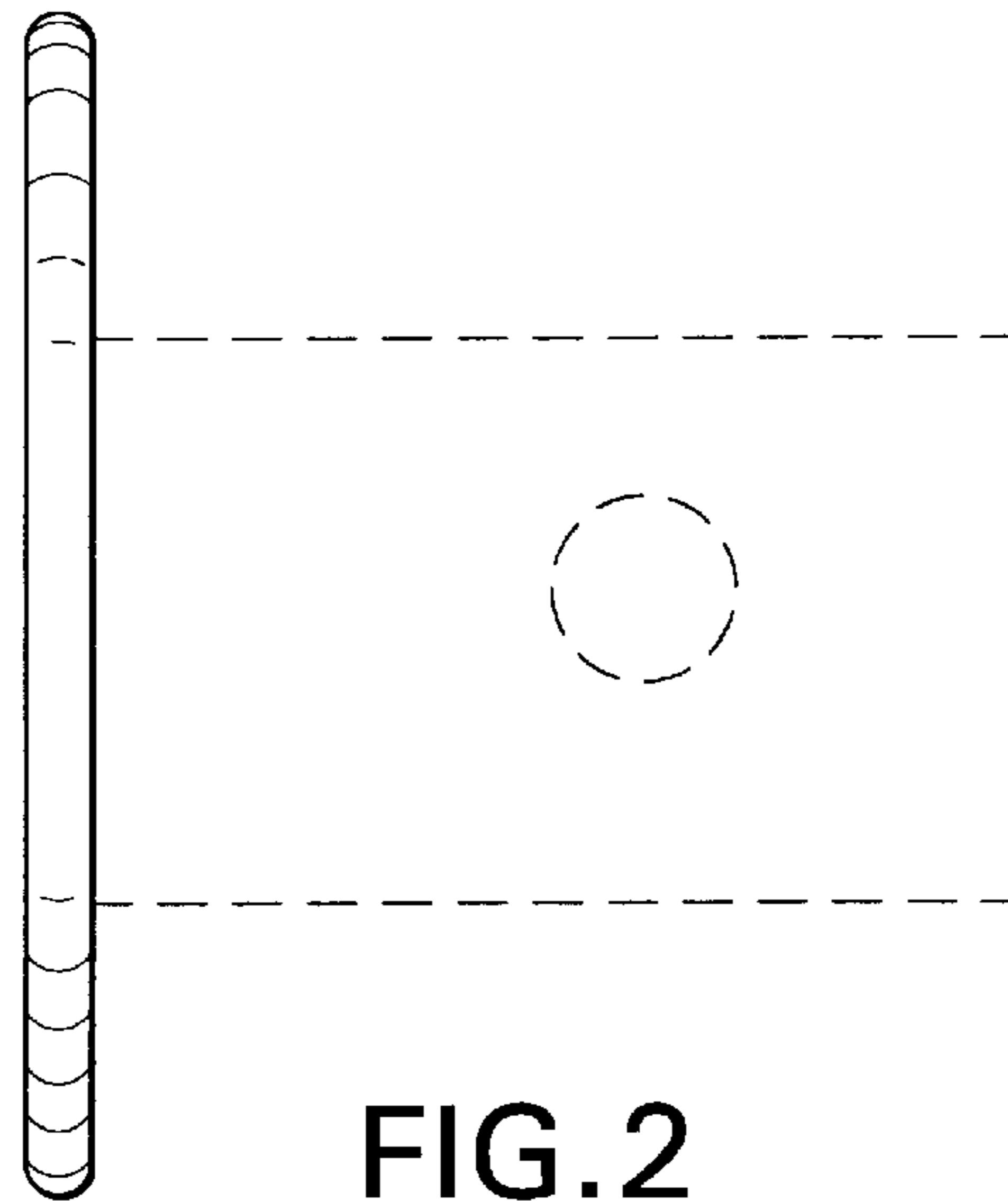


FIG. 2

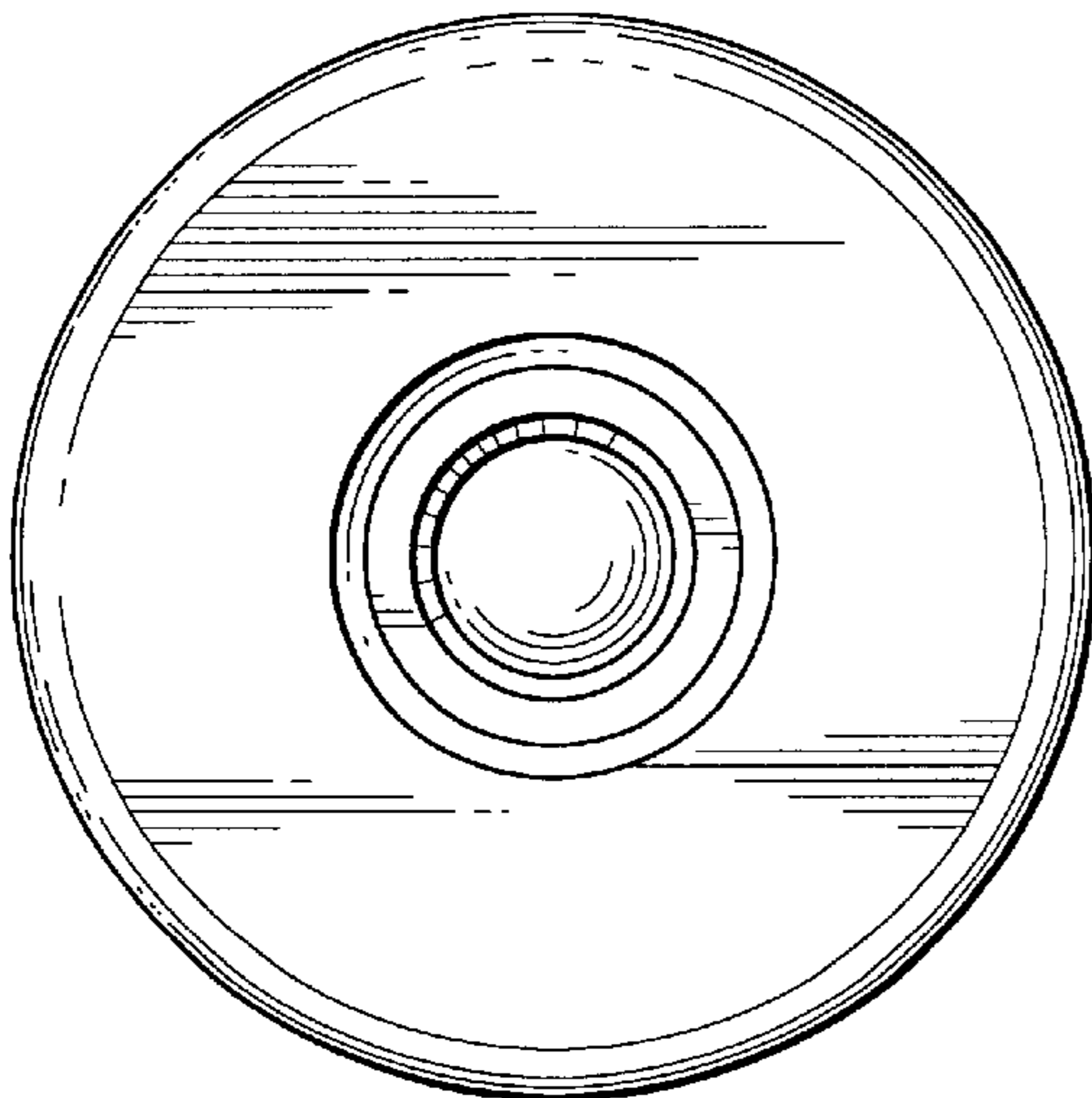


FIG. 3

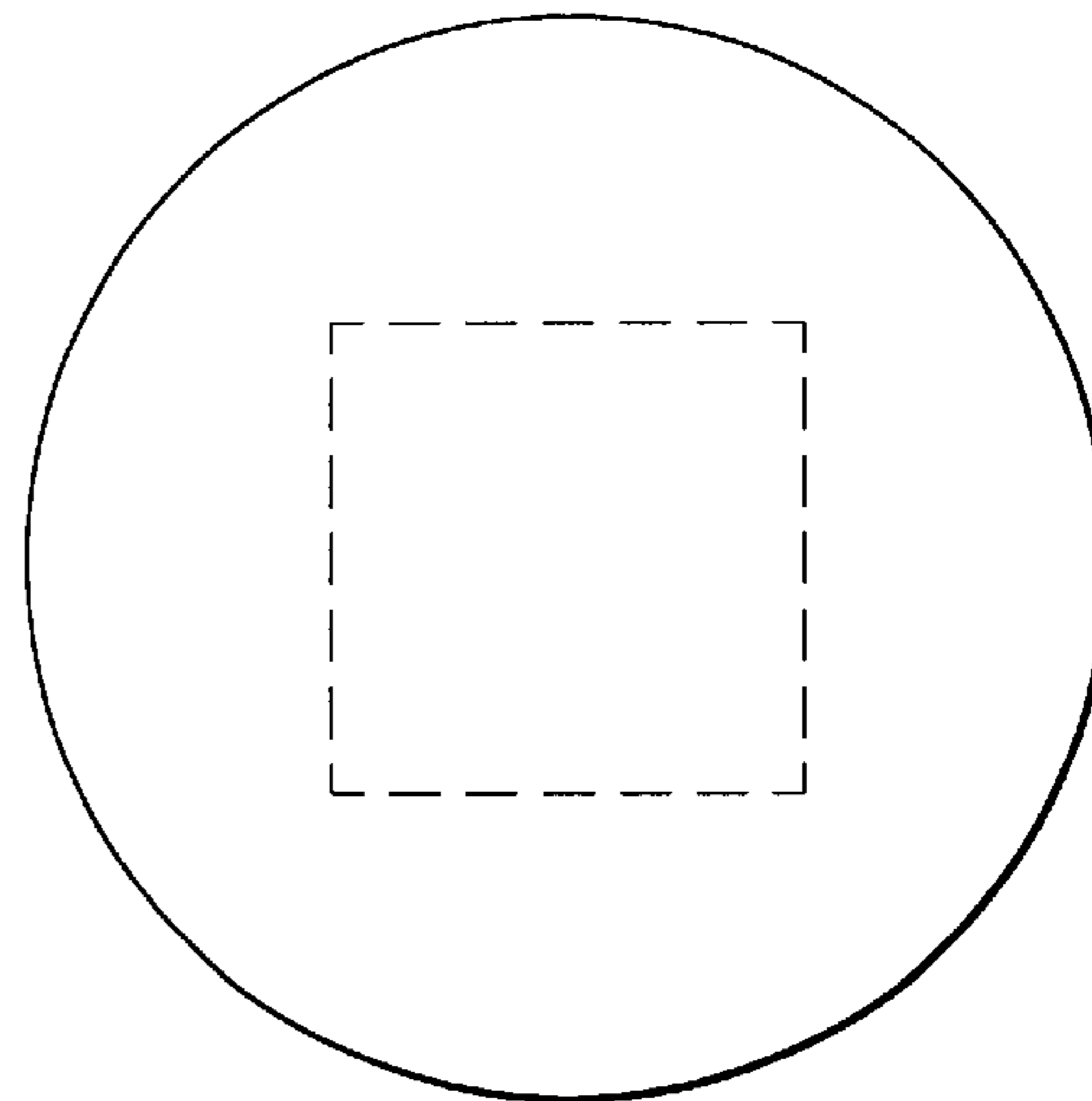


FIG. 4