

US00D503662S

(12) **United States Design Patent**
Tiyawatchalpong

(10) **Patent No.:** **US D503,662 S**

(45) **Date of Patent:** **** Apr. 5, 2005**

(54) **BICYCLE FRAME**

D419,110 S * 1/2000 Allen et al. D12/111
D419,111 S * 1/2000 Allen et al. D12/111

(75) Inventor: **Jantana Tiyawatchalpong**, Bangkok
Metropolis (TH)

* cited by examiner

(73) Assignee: **Magic Cycle Industrial Co., Ltd.**,
Amphur Sampran (TH)

Primary Examiner—Alan P. Douglas
Assistant Examiner—Linda Brooks
(74) *Attorney, Agent, or Firm*—Stites & Harbison PLLC;
Ross F. Hunt, Jr.

(**) Term: **14 Years**

(57) **CLAIM**

(21) Appl. No.: **29/202,430**

The ornamental design for a bicycle frame, as shown and described.

(22) Filed: **Mar. 31, 2004**

(30) **Foreign Application Priority Data**

DESCRIPTION

Feb. 27, 2004 (TH) 089053

FIG. 1 is a perspective of the bicycle frame of the present invention;

(51) **LOC (7) Cl.** **12-11**

FIG. 2 is a top plan view;

(52) **U.S. Cl.** **D12/111**

FIG. 3 is a bottom plan view;

(58) **Field of Search** D12/111, 117;
280/274–280, 281.1, 283–288, 288.1–288.3

FIG. 4 is a side elevational view taken from the right side as viewed in FIG. 1;

(56) **References Cited**

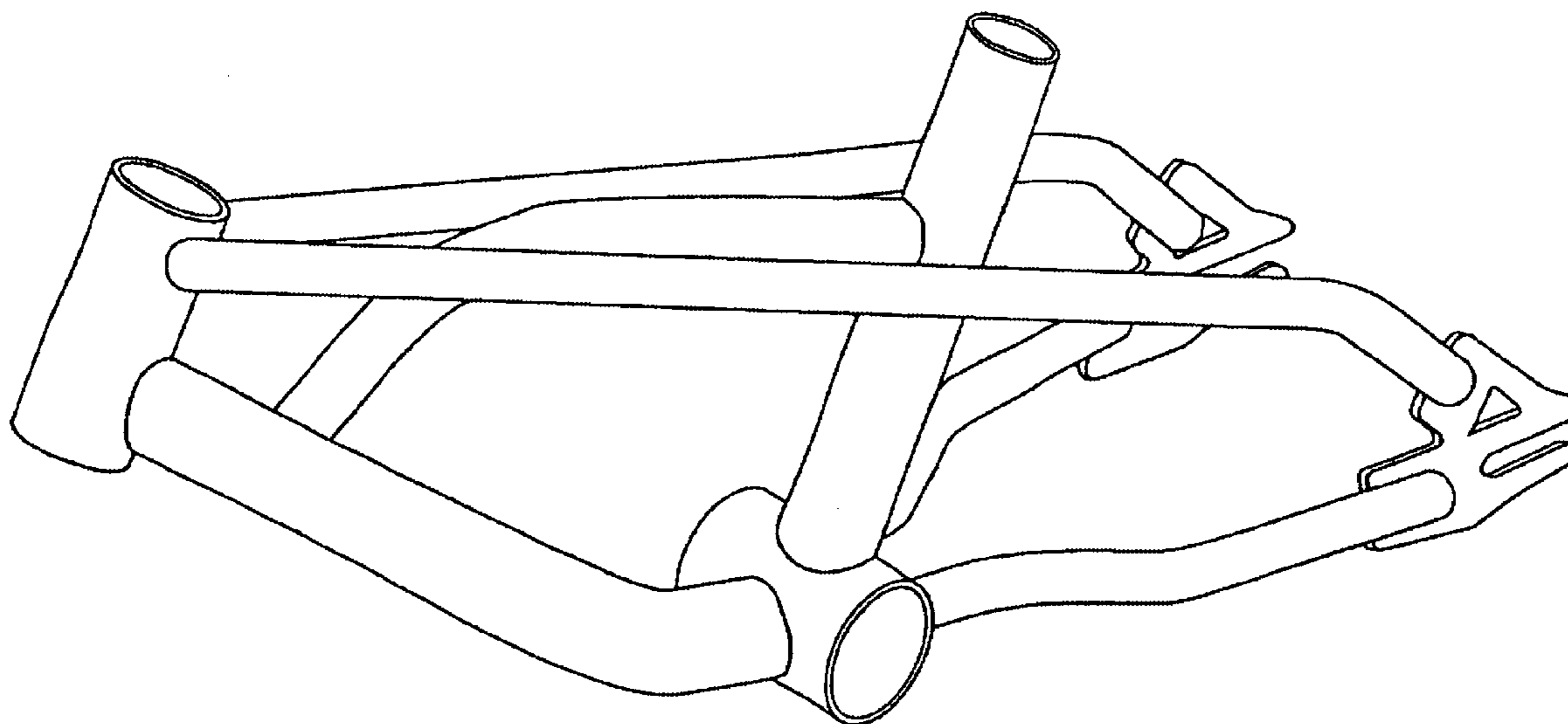
FIG. 5 is a front elevational view; and,

U.S. PATENT DOCUMENTS

FIG. 6 is a side elevational view taken from the left side as viewed in FIG. 1.

D213,347 S * 2/1969 Schreckengost D12/111

1 Claim, 5 Drawing Sheets



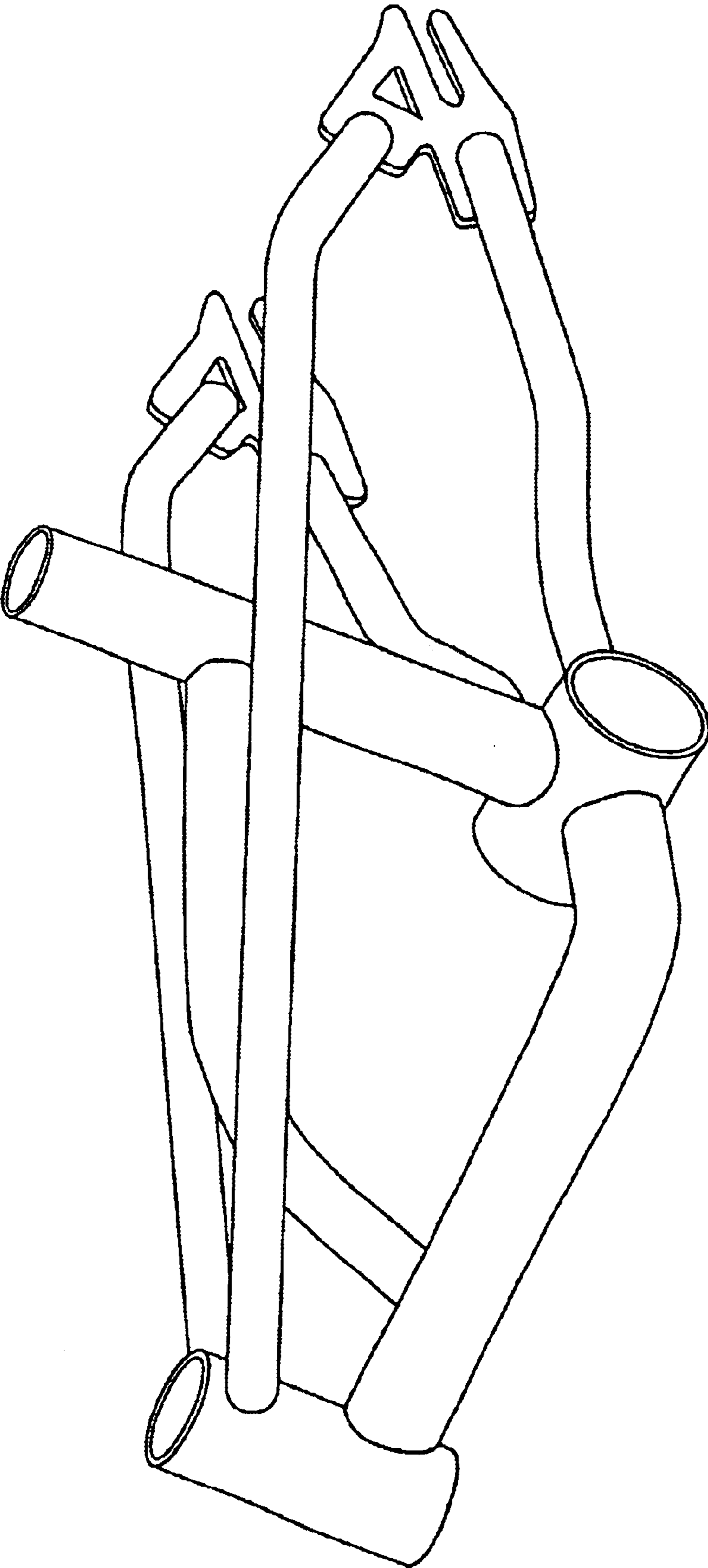


FIG. 1

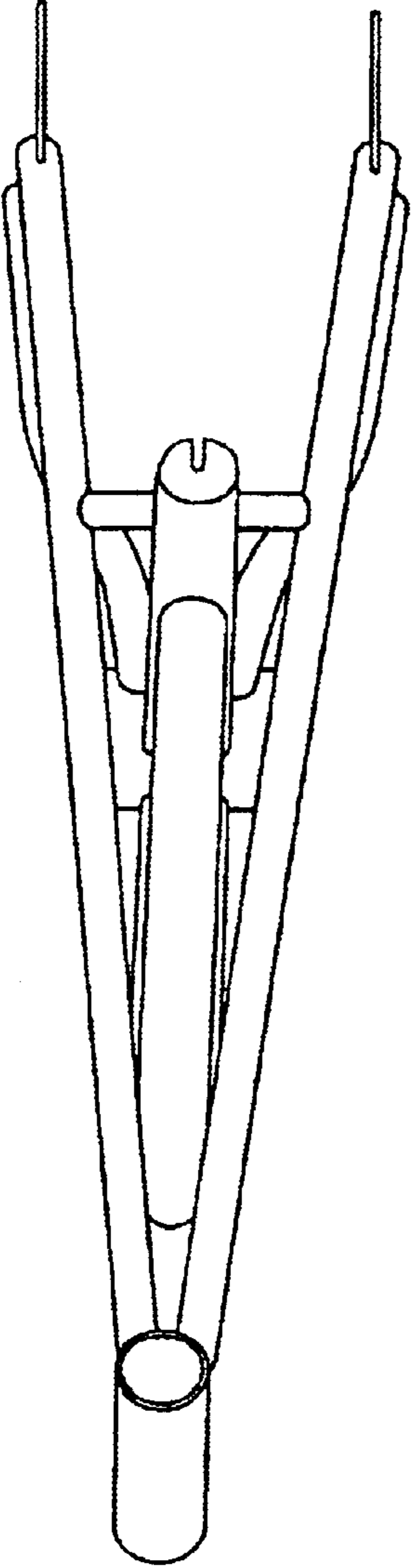


FIG. 2

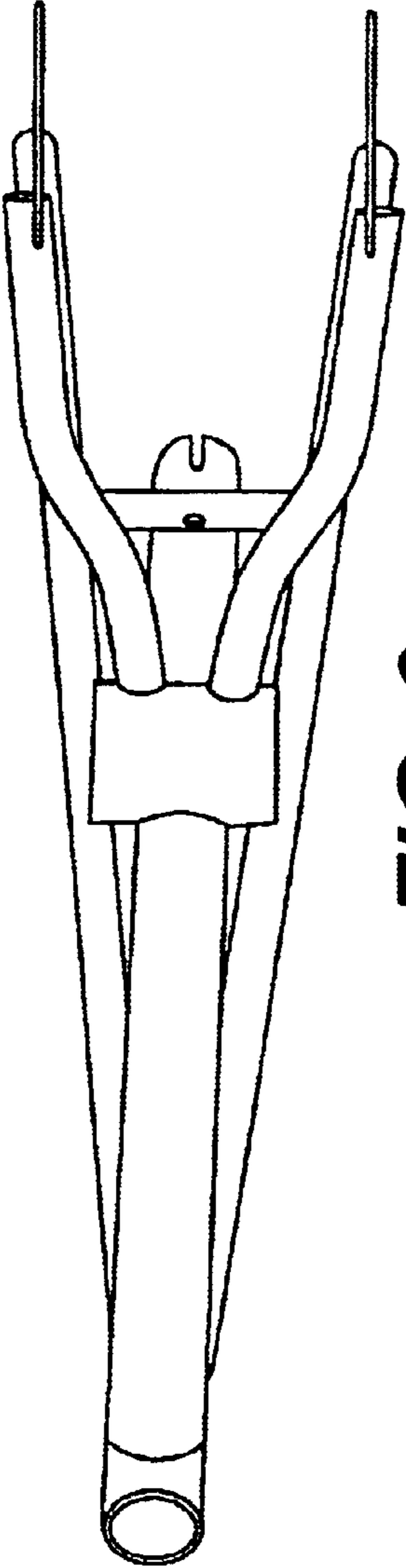


FIG. 3

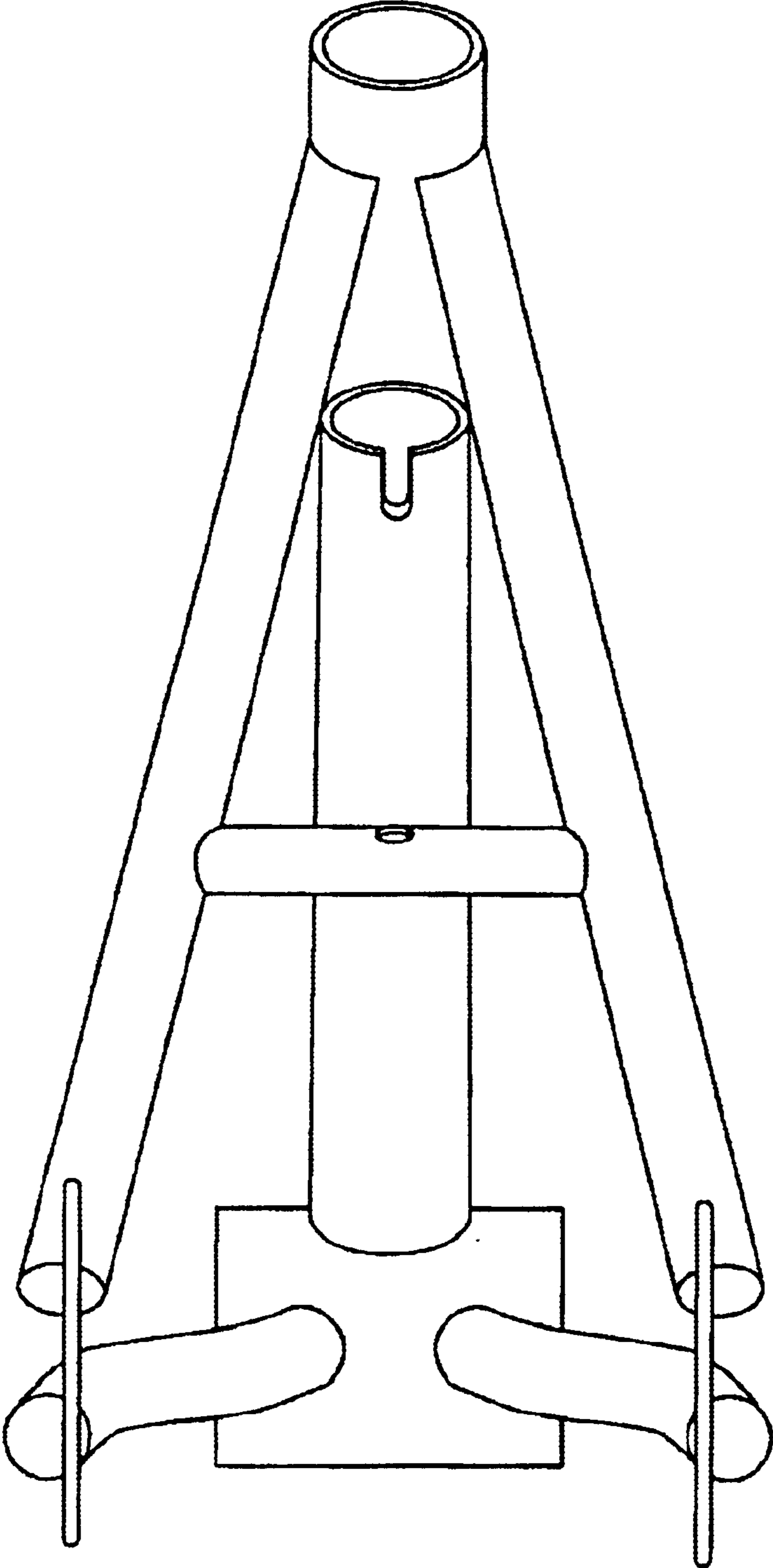


FIG. 4

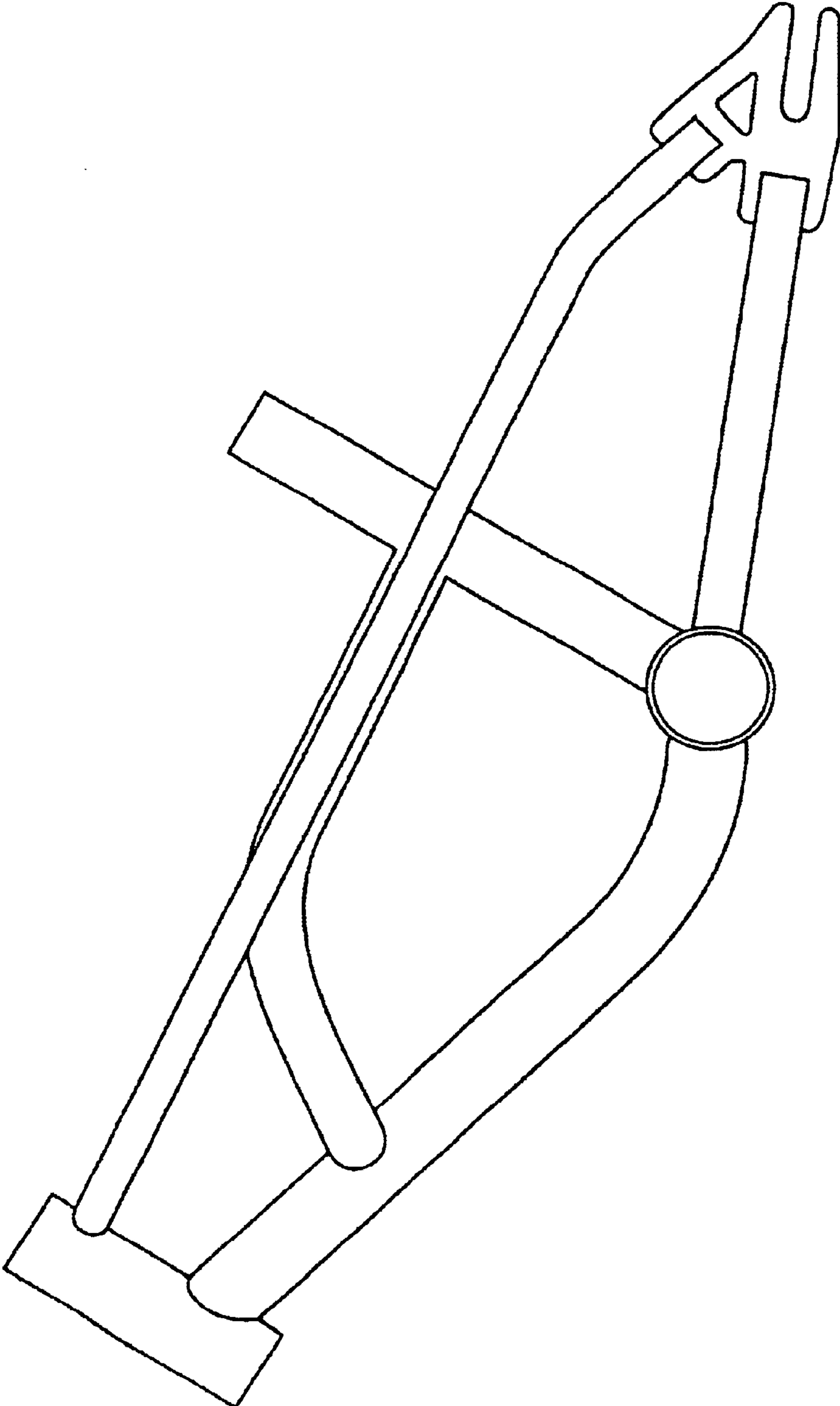


FIG. 5

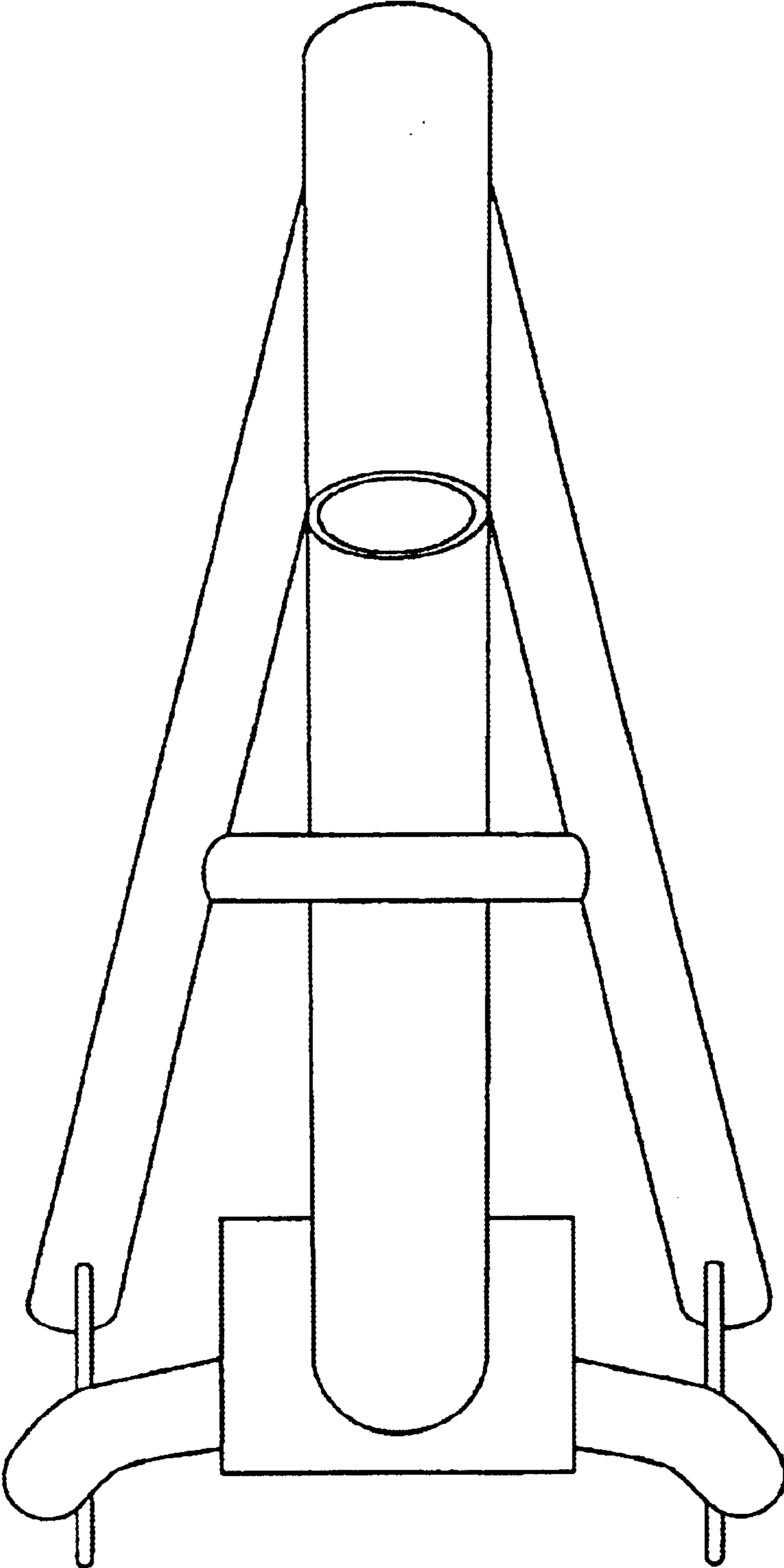


FIG. 6