

US00D503661S

(12) **United States Design Patent** (10) **Patent No.:** **US D503,661 S**
Huntsberger et al. (45) **Date of Patent:** **** Apr. 5, 2005**

(54) **CHILDREN'S RIDE-ON VEHICLE**

FOREIGN PATENT DOCUMENTS

(75) Inventors: **Kurt J. Huntsberger**, Chaffee, NY
(US); **William R. Howell**, Chaffee, NY
(US)

DE	198094	11/1906
DE	3138095	4/1983
DE	3537522	4/1987
FR	2413983	8/1979
FR	2414411	10/1979
FR	2562804	1/1985
FR	2562842	10/1985
FR	2607089	5/1988
GB	3277	2/1909
GB	185153	9/1922
GB	2048180	12/1980

(73) Assignee: **Mattel, Inc.**, El Segundo, CA (US)

(**) Term: **14 Years**

(21) Appl. No.: **29/191,658**

(22) Filed: **Oct. 10, 2003**

(51) **LOC (7) Cl.** **12-11**

(52) **U.S. Cl.** **D12/111**

(58) **Field of Search** D12/110, 111;
180/219, 220, 65.1, 211; 280/827, 828,
281.1, 282-288, 288.1-288.4; 446/440;
D21/432, 538

OTHER PUBLICATIONS

English language abstract of German Patent No. DE 3138095, 1983.

English language abstract of German Patent No. DE 3537522, 1987.

English language abstract of French Patent No. FR 2607089, 1988.

Peg-Pérego Catalog, 1999.

Primary Examiner—Alan P. Douglas

Assistant Examiner—Linda Brooks

(74) *Attorney, Agent, or Firm*—Kolisch Hartwell, P.C.

(56) **References Cited**

U.S. PATENT DOCUMENTS

587,984 A	8/1897	Matthews	
589,147 A	8/1897	Sturges	
628,862 A	7/1899	Smith	
641,858 A	1/1900	Halifax	
674,577 A	5/1901	Fowl	
774,424 A	* 11/1904	Henderson	16/45
1,075,250 A	10/1913	Gingold	
1,088,028 A	2/1914	Johnston	
1,213,454 A	1/1917	Brown	
1,227,888 A	5/1917	Converse	
1,253,768 A	1/1918	Aman	
1,262,806 A	4/1918	Kemble	
1,397,675 A	11/1921	Buske	
1,429,249 A	9/1922	Parker	
1,568,412 A	1/1926	Parkes	
1,571,489 A	2/1926	Morihata	
1,614,822 A	1/1927	Bukolt	
1,664,858 A	4/1928	Headley	
1,689,916 A	10/1928	Fisher	
1,832,018 A	11/1931	Gossard	
D92,386 S	6/1934	Blackmore	

(57) **CLAIM**

The ornamental design for a children's ride-on vehicle, as shown and described.

DESCRIPTION

FIG. 1 is a front perspective view of a children's ride-on vehicle showing an embodiment of the claimed design.

FIG. 2 is a rear perspective view of the vehicle of FIG. 1.

FIG. 3 is a top plan view of the vehicle of FIG. 1.

FIG. 4 is a front elevation view of the vehicle of FIG. 1.

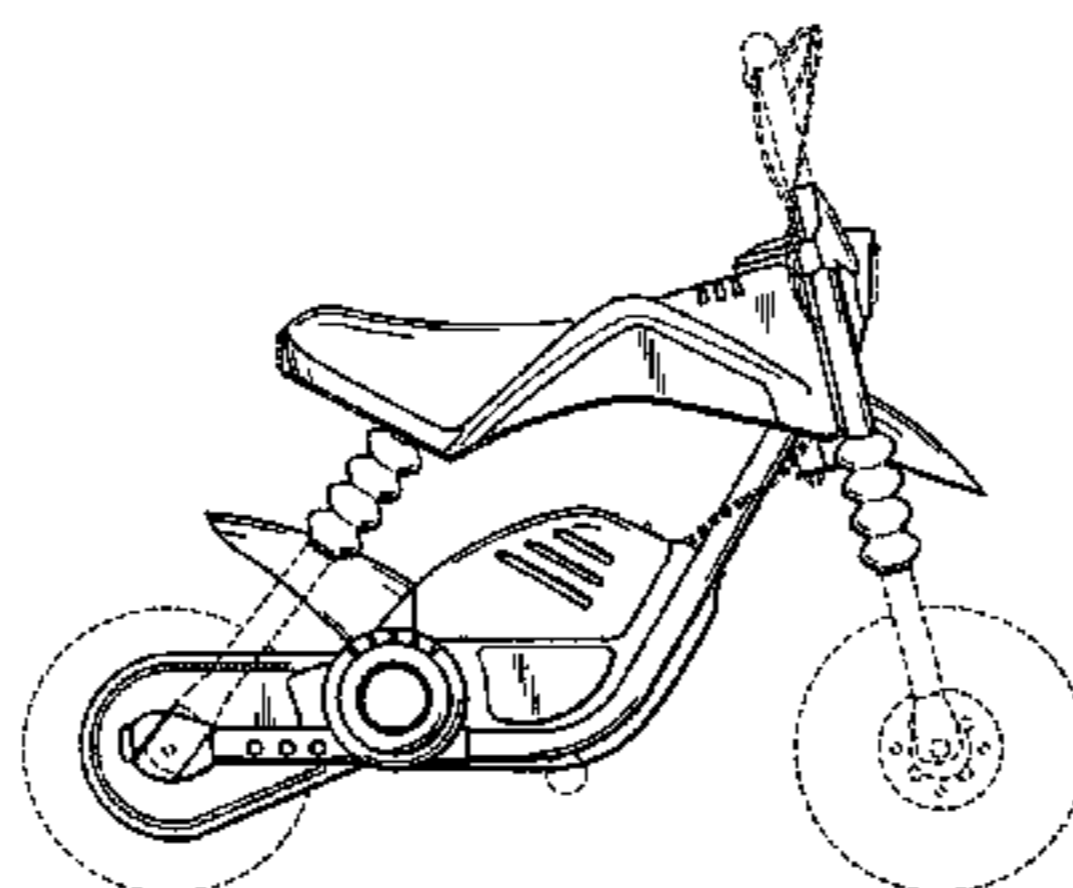
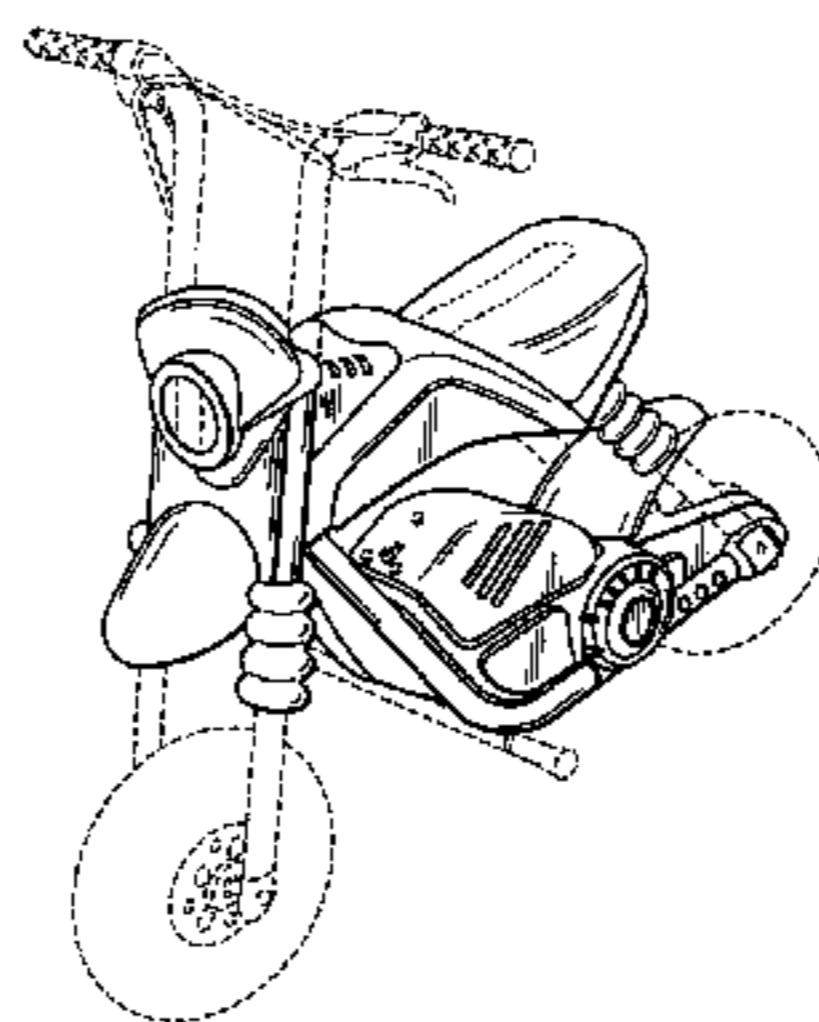
FIG. 5 is a right side elevation view of the vehicle of FIG. 1; and,

FIG. 6 is a left side elevation view of the vehicle of FIG. 1.

The bottom and dashed regions of the vehicle form no part of the claimed design.

(Continued)

1 Claim, 3 Drawing Sheets



US D503,661 S

Page 2

U.S. PATENT DOCUMENTS

D99,225 S	4/1936	Van Doren et al.	4,739,851 A	4/1988	Perégo
2,054,842 A	9/1936	Walker	4,759,557 A	7/1988	Kassai
D104,679 S	5/1937	Eck	4,775,021 A	10/1988	Marino
D109,820 S	5/1938	Snell	4,826,194 A	5/1989	Sakita
2,170,978 A	8/1939	Smith	4,842,091 A	6/1989	Badsey
2,330,147 A	9/1943	Rodriguez	4,900,095 A	2/1990	Brubaker
2,419,178 A	4/1947	Strong	4,944,563 A	7/1990	Pinchbeck et al.
2,468,910 A	5/1949	Zsinor et al.	4,997,232 A	3/1991	Johnsen
2,485,770 A	10/1949	Place	D317,954 S	7/1991	Cohen
2,664,941 A	1/1954	Gillespie	5,062,617 A	11/1991	Campbell
2,709,471 A	5/1955	Smith et al.	5,117,885 A	6/1992	Crawford
2,715,535 A	8/1955	Prowinsky	5,143,427 A	9/1992	Dick
2,717,807 A	9/1955	Kapp	5,207,288 A	5/1993	Ono
2,921,344 A	1/1960	Carrico	5,308,152 A	5/1994	Ho
2,960,351 A	11/1960	Jeffress	5,316,259 A	5/1994	Pawlykowych et al.
2,978,277 A	4/1961	Gaudry	5,319,996 A	6/1994	Harris
3,035,849 A	5/1962	Groth	5,324,058 A	6/1994	Massaro
3,166,141 A	1/1965	Shields et al.	5,344,170 A	9/1994	Ochoa
3,212,791 A	10/1965	Edwins	5,387,025 A	2/1995	Denisar
3,415,539 A	12/1968	Stevens	5,439,071 A	8/1995	Rodriguez-Ferre
3,416,625 A	12/1968	Narutani	5,533,899 A	7/1996	Young
3,554,311 A	1/1971	Thompson et al.	5,551,753 A	9/1996	Glockl
3,572,621 A	3/1971	Whitten et al.	5,575,489 A	11/1996	Oyen et al.
3,732,671 A	5/1973	Allen et al.	5,644,114 A	7/1997	Neaves
3,751,062 A	8/1973	White, Sr.	5,657,830 A	8/1997	Kawashima et al.
3,790,220 A	2/1974	Manss	5,713,588 A	2/1998	Cummins
3,828,876 A	8/1974	Morelli	5,765,871 A	6/1998	Wyman et al.
3,874,700 A	4/1975	Lohr et al.	5,775,452 A	7/1998	Patmont
3,917,270 A	11/1975	Gothard, Jr. et al.	5,794,713 A	8/1998	Berscheid
3,952,786 A	4/1976	Kreling et al.	5,826,948 A	10/1998	Schroeder et al.
4,087,107 A	5/1978	Winchell	5,848,660 A	12/1998	McGreen
4,088,338 A	5/1978	Winchell et al.	5,894,898 A	4/1999	Catto
4,094,374 A	6/1978	Adams	5,911,430 A	6/1999	Wuschke
4,123,079 A	10/1978	Biskup	D421,632 S	3/2000	Jones et al.
4,153,303 A	5/1979	Tanner	6,047,786 A	4/2000	Stevenson et al.
4,168,758 A	9/1979	Holt	D428,068 S	7/2000	Lerch
4,179,134 A	12/1979	Atkinson	6,095,543 A	8/2000	McMahon et al.
4,183,546 A	1/1980	Heilig	6,120,345 A	9/2000	Lenihan et al.
4,203,500 A	5/1980	Kamiya	D433,718 S	11/2000	McGreen
4,229,018 A	10/1980	Chika	D437,007 S	1/2001	Lerch
4,274,647 A	6/1981	Drake, Jr.	6,206,396 B1	3/2001	Smith
4,313,511 A	2/1982	Soo Hoo	6,218,804 B1	4/2001	Toriyama et al.
4,342,466 A	8/1982	Morgan	D447,189 S	8/2001	Huntsberger
4,399,883 A	8/1983	Todokoro	6,296,266 B1	10/2001	Martin
D273,100 S *	3/1984	Ziegler D12/111	6,405,817 B1	6/2002	Huntsberger et al.
4,484,646 A	11/1984	Smith	6,408,967 B1	6/2002	Huntsberger et al.
4,494,763 A	1/1985	Whitehead	6,470,982 B2	10/2002	Sitarski et al.
4,498,887 A	2/1985	Cook	6,508,320 B2	1/2003	Huntsberger et al.
4,558,263 A	12/1985	Harris et al.	6,508,322 B2	1/2003	Dignitti et al.
4,707,884 A	11/1987	Chang	6,656,010 B1	12/2003	Bienz et al.

* cited by examiner

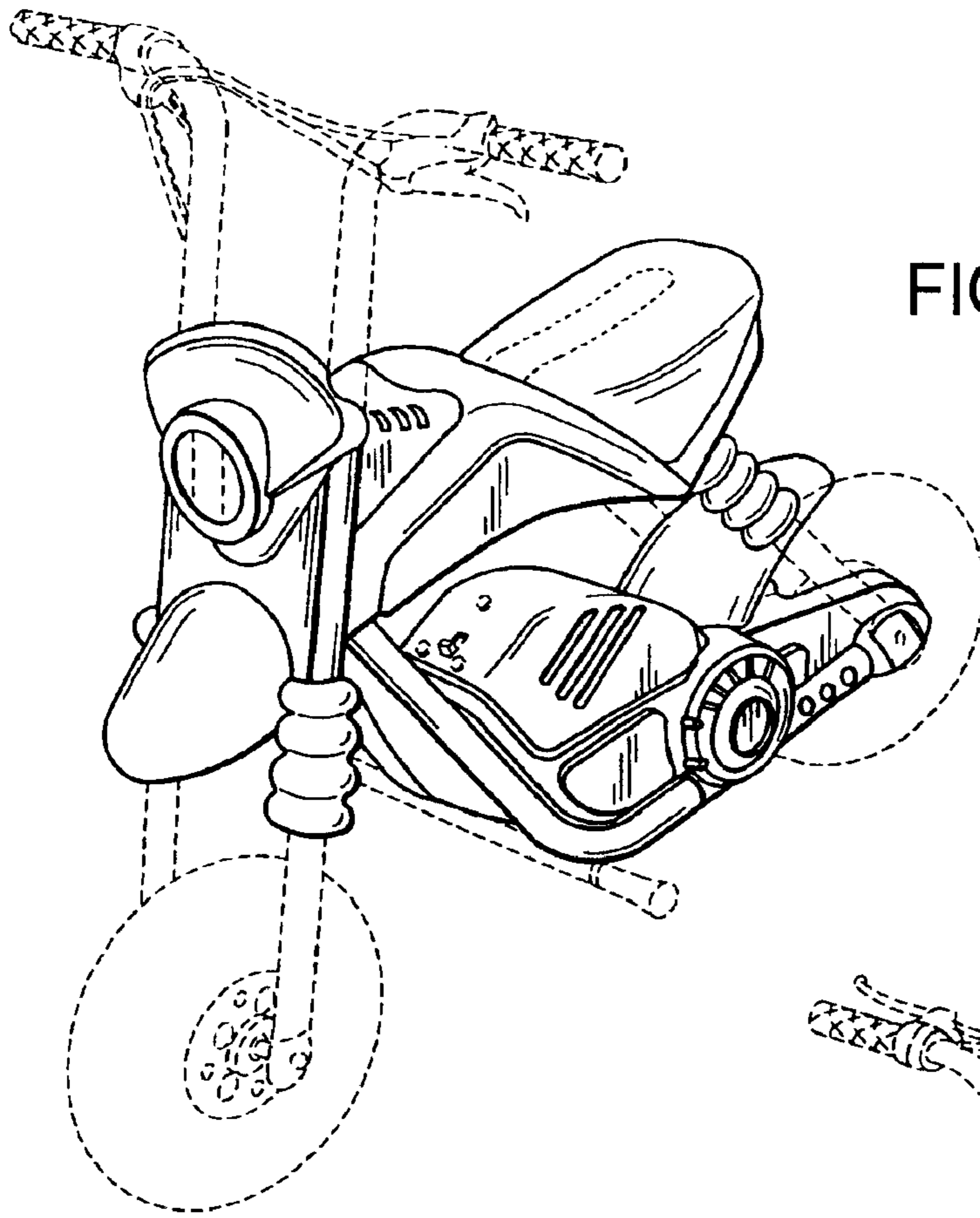


FIG. 1

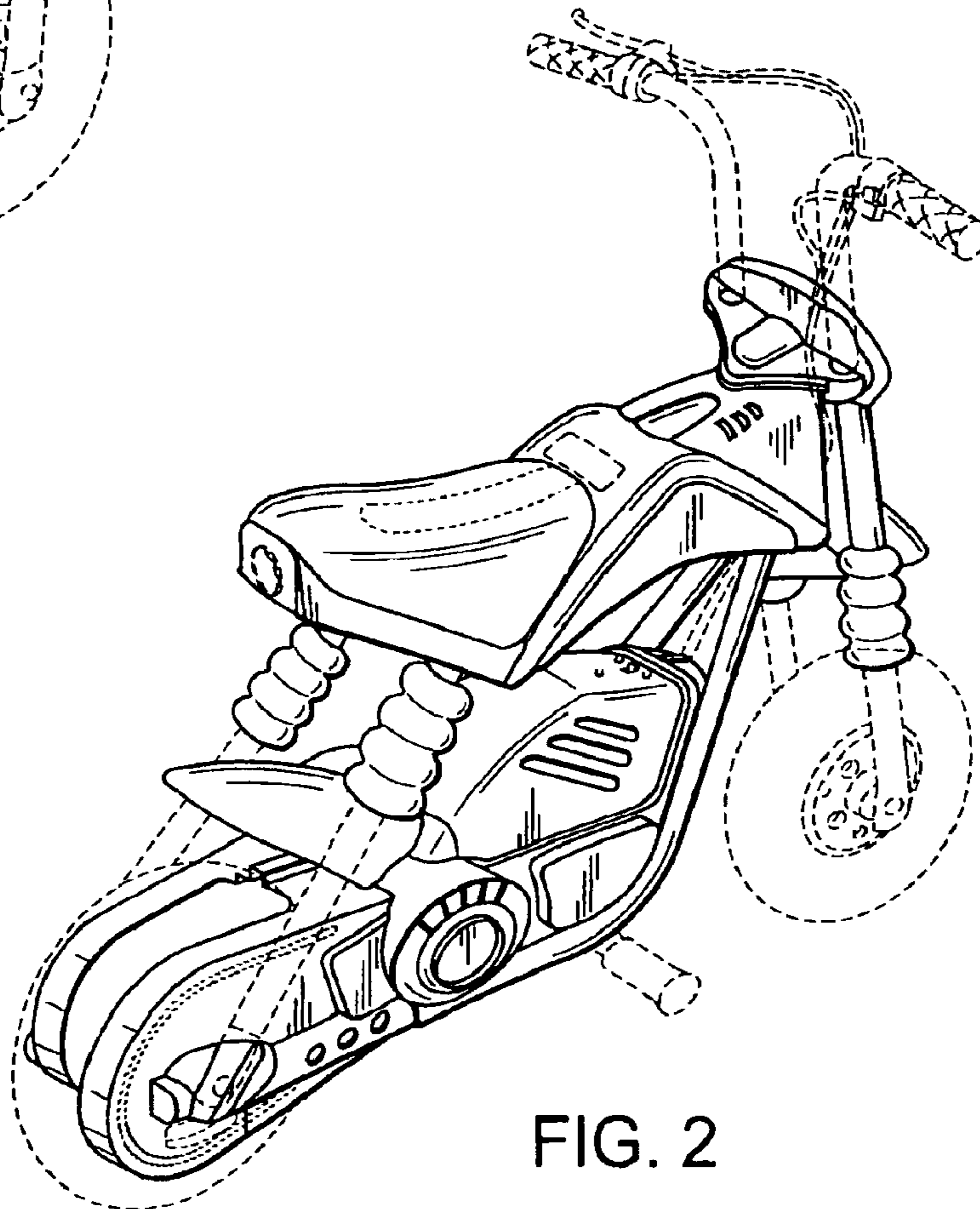


FIG. 2

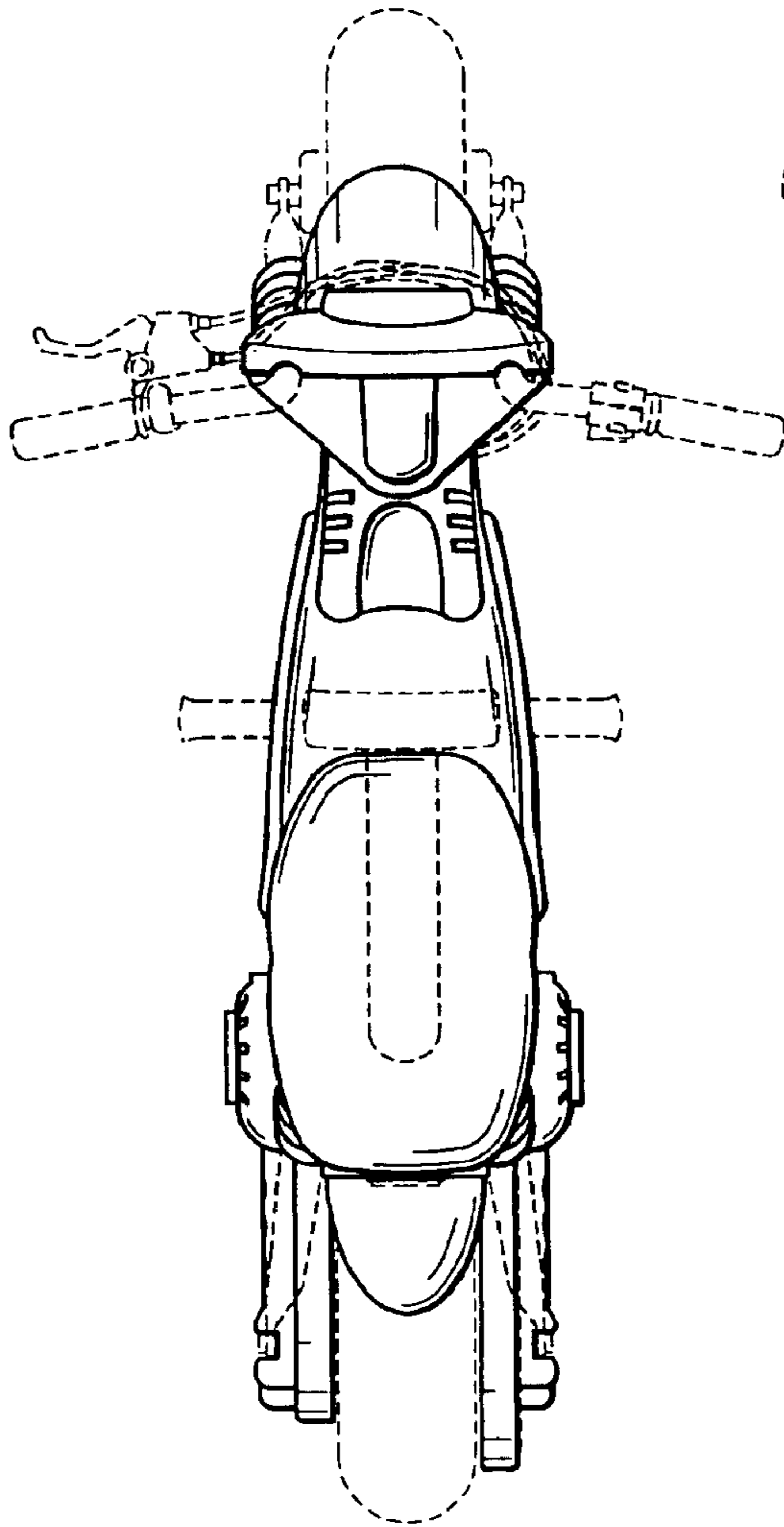


FIG. 3

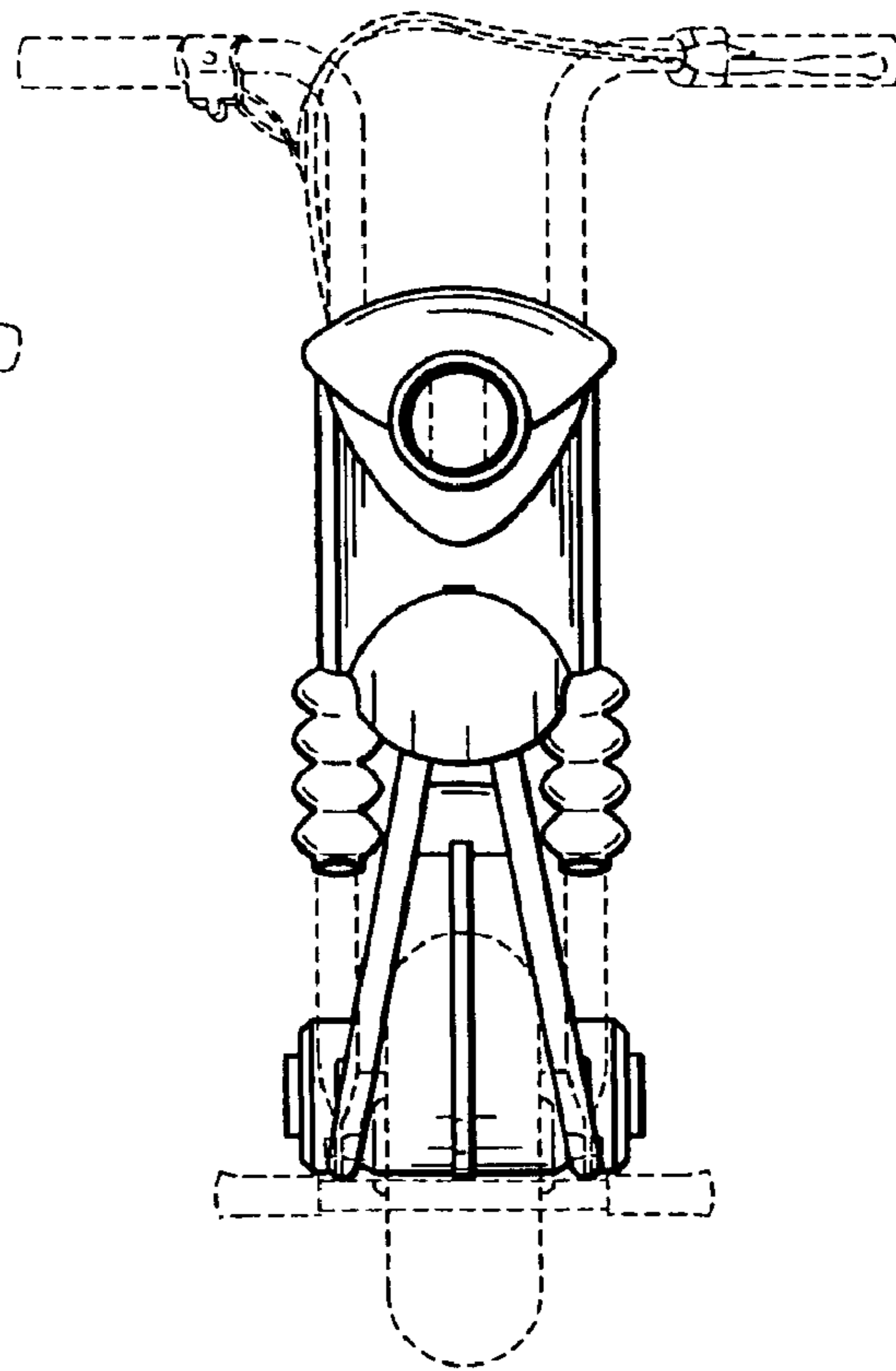


FIG. 4

FIG. 5

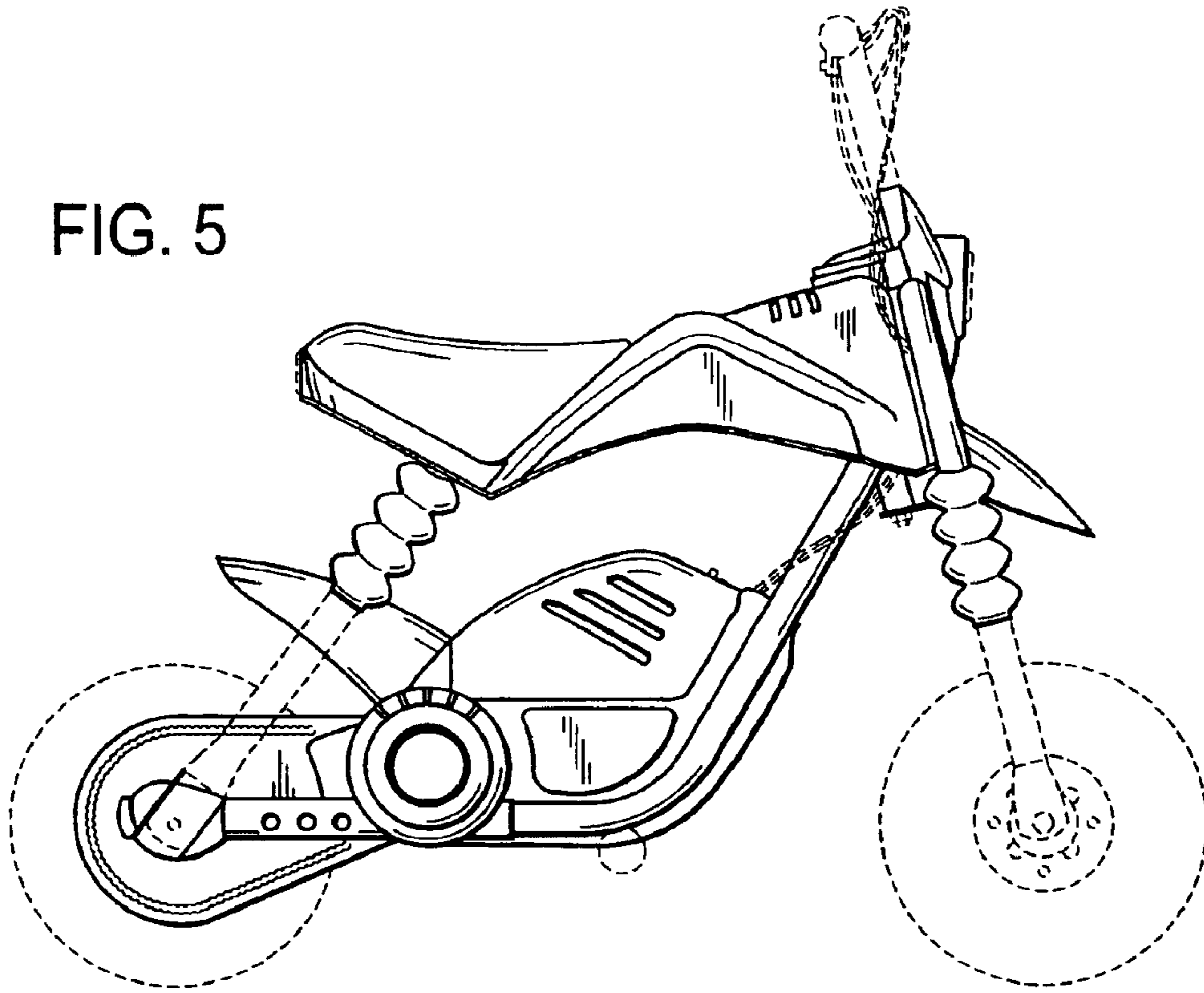


FIG. 6

