

US00D503659S

(12) **United States Design Patent**
Matsumoto et al.

(10) **Patent No.:** **US D503,659 S**
(45) **Date of Patent:** **** Apr. 5, 2005**

(54) **AUTOMOBILE**

(75) Inventors: **Tomonori Matsumoto**, Newport Beach, CA (US); **Craig Kember**, Newport Beach, CA (US); **Matthew Sperling**, Newport Beach, CA (US)

(73) Assignee: **Toyota Jidosha Kabushiki Kaisha (JP)**

(**) Term: **14 Years**

(21) Appl. No.: **29/196,604**

(22) Filed: **Dec. 31, 2003**

(51) **LOC (7) Cl.** **12-08**

(52) **U.S. Cl.** **D12/98**

(58) **Field of Search** D12/98, 93; 296/183, 296/185, 186

(56) **References Cited**

U.S. PATENT DOCUMENTS

| | | | | |
|------------|---|---------|-------------------------|--------|
| D369,991 S | * | 5/1996 | Hunter et al. | D12/98 |
| D372,211 S | * | 7/1996 | Hunter et al. | D12/98 |
| D419,920 S | * | 2/2000 | Kondo et al. | D12/98 |
| D430,068 S | * | 8/2000 | Castiglione et al. | D12/98 |
| D470,436 S | * | 2/2003 | Lee | D12/98 |
| D481,333 S | * | 10/2003 | Fukushima | D12/98 |
| D481,656 S | * | 11/2003 | Fukushima | D12/98 |

OTHER PUBLICATIONS

Ford F-150 Super Crew, Car and Driver Magazine, Oct. 2003, p. 65.

Chevrolet Silverado SS, Motor Trend Magazine, Oct. 2003, pp. 72, 73, 74, 75.

Dodge Ram 1500 SLT Hemi, Motor Trend Magazine, Oct. 2003, pp. 72, 73, 74, 75.

* cited by examiner

Primary Examiner—Melody N. Brown

(74) *Attorney, Agent, or Firm*—Saidman DesignLaw Group

(57) **CLAIM**

The ornamental design for an automobile, as shown and described.

DESCRIPTION

FIG. 1 is a front perspective view of an automobile showing our new design;

FIG. 2 is a rear perspective view thereof;

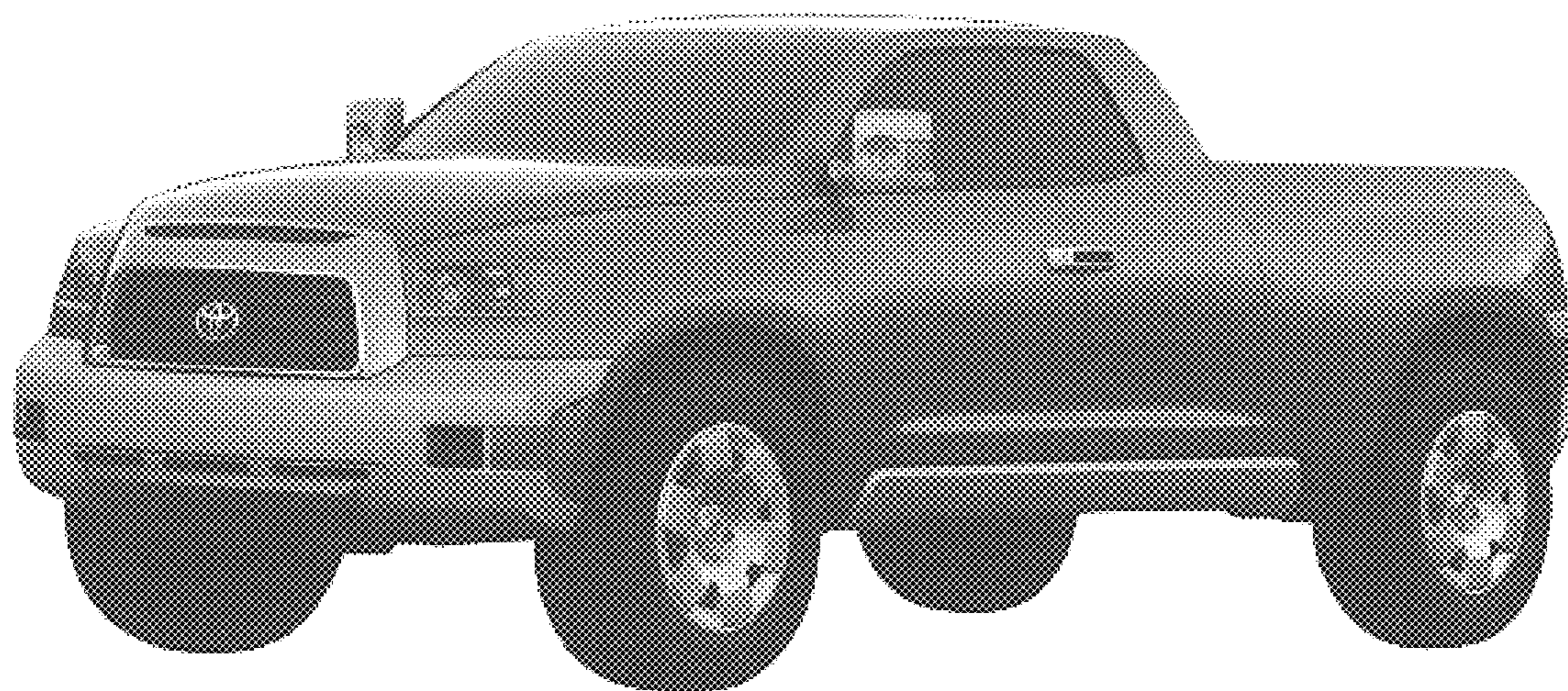
FIG. 3 is a right-side view thereof, with the left-side being a mirror image;

FIG. 4 is a top view thereof;

FIG. 5 is a front view thereof; and,

FIG. 6 is a rear view thereof.

1 Claim, 2 Drawing Sheets



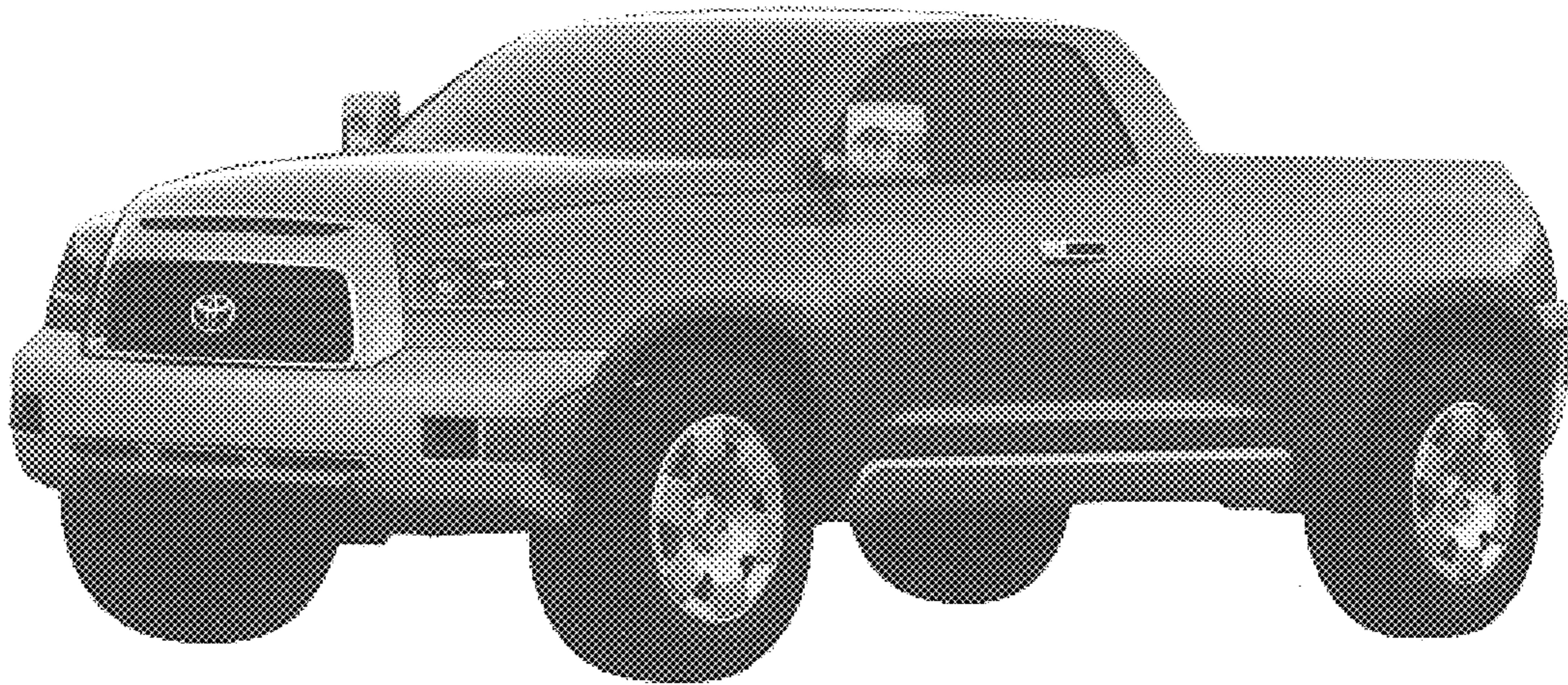


FIG. 1

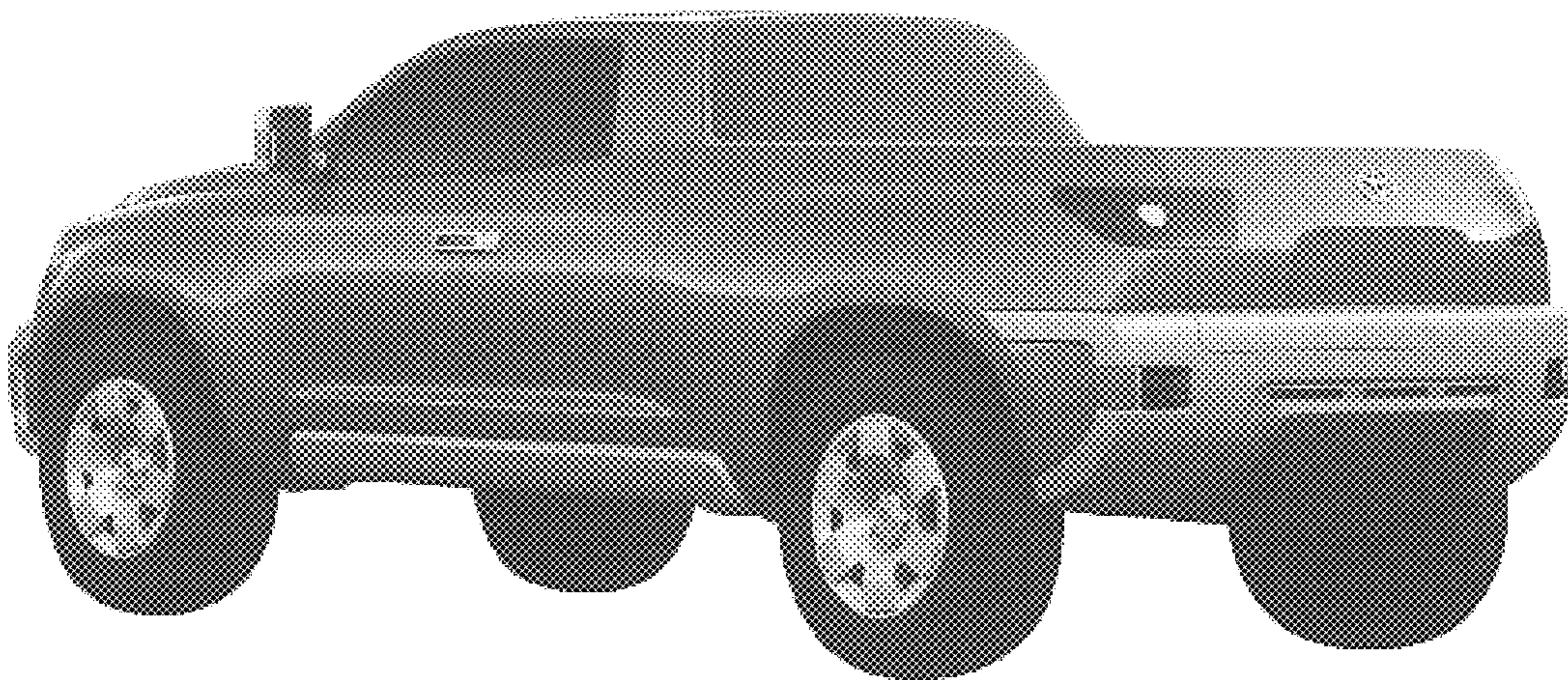


FIG. 2

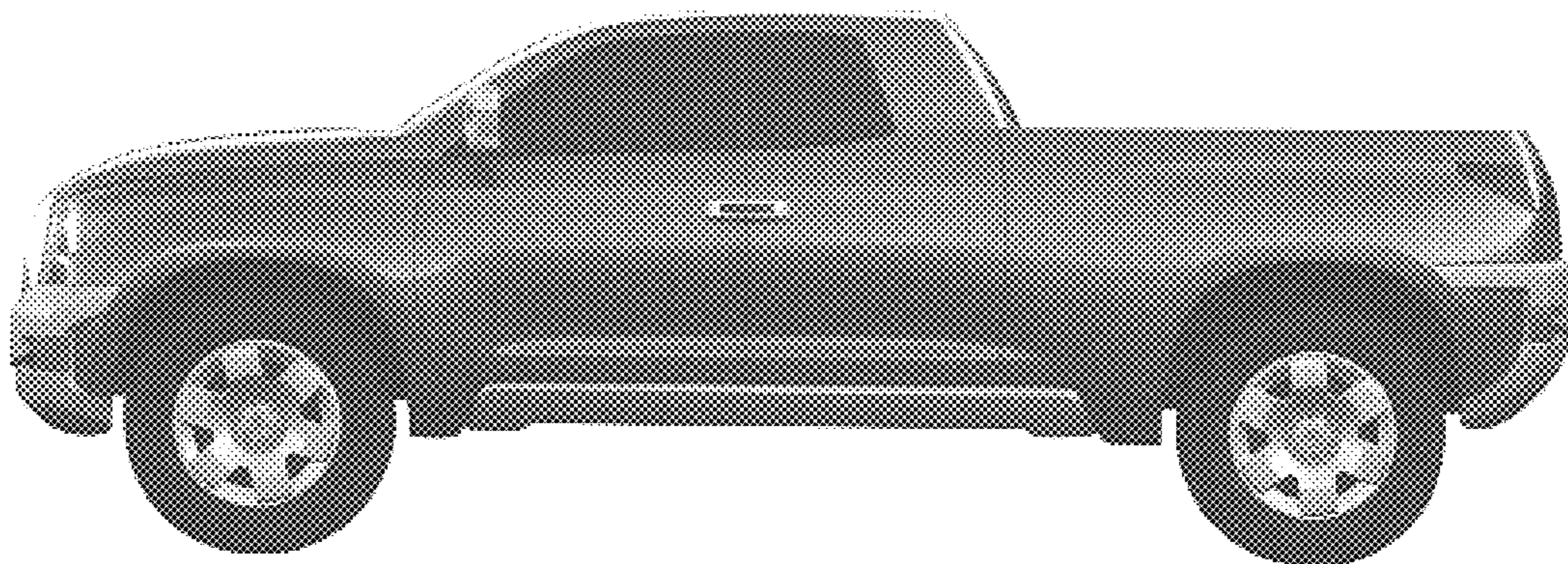


FIG. 3

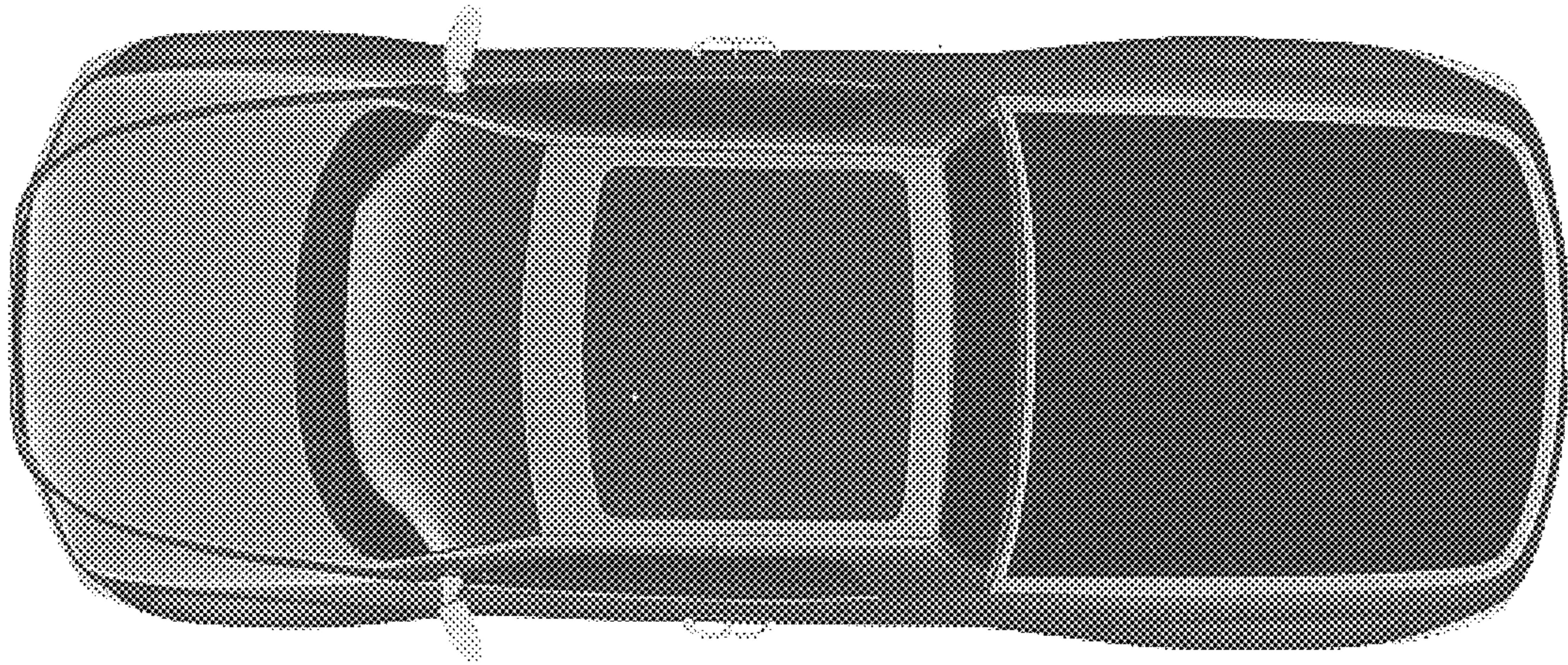


FIG. 4



FIG. 5



FIG. 6