



US00D503658S

(12) **United States Design Patent**  
**Lu**

(10) **Patent No.:** **US D503,658 S**

(45) **Date of Patent:** **\*\* Apr. 5, 2005**

(54) **GO KART**

D342,699 S \* 12/1993 Miyamoto et al. .... D12/1  
D433,651 S \* 11/2000 Matsumura et al. .... D12/1  
D467,200 S \* 12/2002 Luo et al. .... D12/87

(75) **Inventor:** **Cathy W. F. Lu, Shanghai (CN)**

(73) **Assignee:** **Dazon Incorporated, Dover, DE (US)**

(\*\*) **Term:** **14 Years**

\* cited by examiner

*Primary Examiner*—Melody N. Brown  
(74) *Attorney, Agent, or Firm*—Snell & Wilmer L.L.P.

(21) **Appl. No.:** **29/183,683**

(22) **Filed:** **Jun. 16, 2003**

(57) **CLAIM**

The ornamental design for a go kart, as shown.

(51) **LOC (7) Cl.** ..... **12-08**

(52) **U.S. Cl.** ..... **D12/87**

(58) **Field of Search** ..... D12/87, 86, 1;  
D21/433; 296/185, 186

**DESCRIPTION**

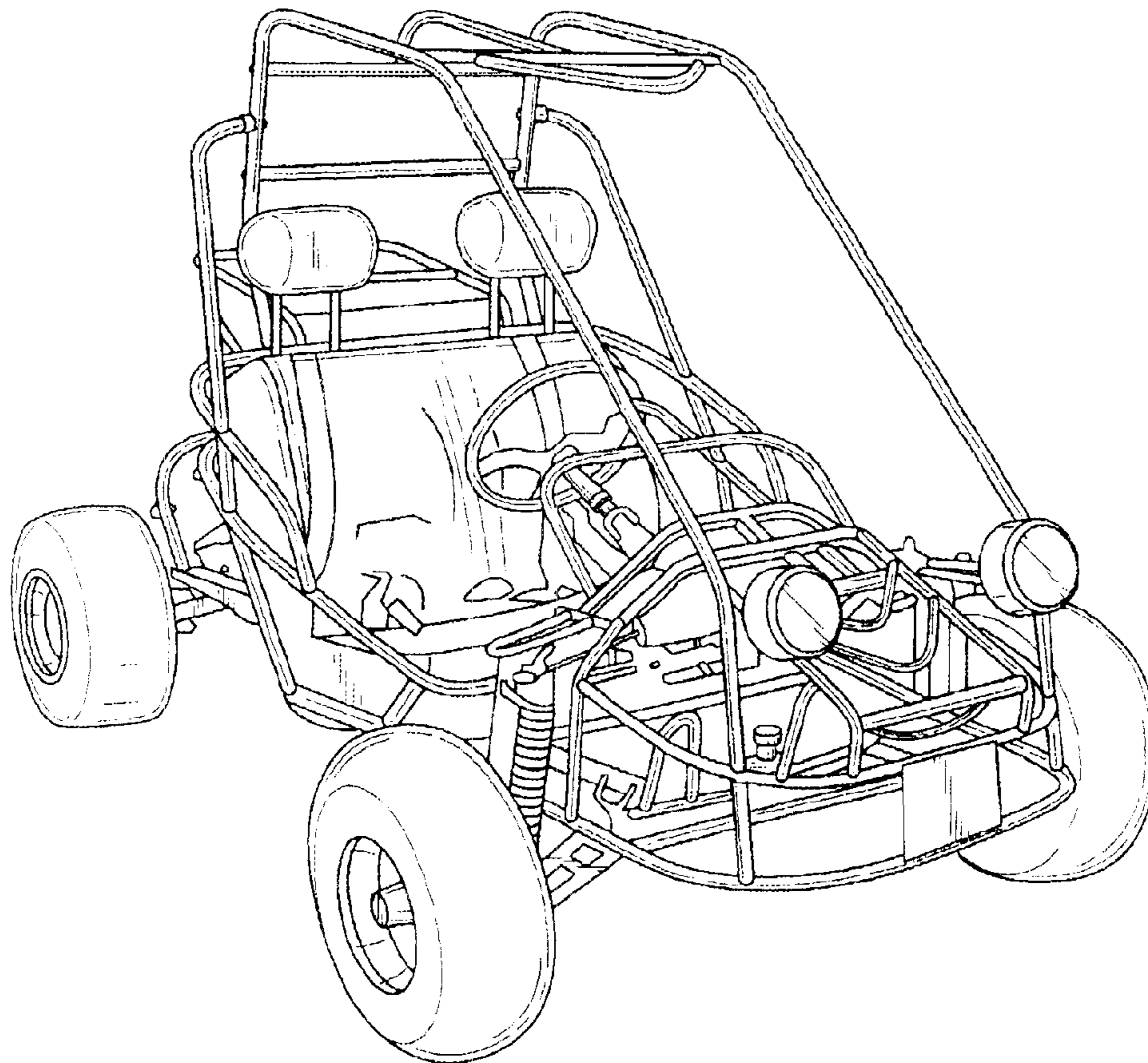
FIG. 1 is a perspective view of a go kart showing an exemplary embodiment of our new design;  
FIG. 2 is a front view of the go kart of FIG. 1;  
FIG. 3 is a back view of the go kart of FIG. 1;  
FIG. 4 is a right side view of the go kart of FIG. 1;  
FIG. 5 is a left side view of the go kart of FIG. 1; and,  
FIG. 6 is a top view of the go kart of FIG. 1.

(56) **References Cited**

**U.S. PATENT DOCUMENTS**

D286,760 S \* 11/1986 Ooba et al. .... D12/87  
D301,849 S \* 6/1989 Oba et al. .... D12/87  
D312,989 S \* 12/1990 Murata et al. .... D12/87  
D332,239 S \* 1/1993 Hirata et al. .... D12/1

**1 Claim, 6 Drawing Sheets**



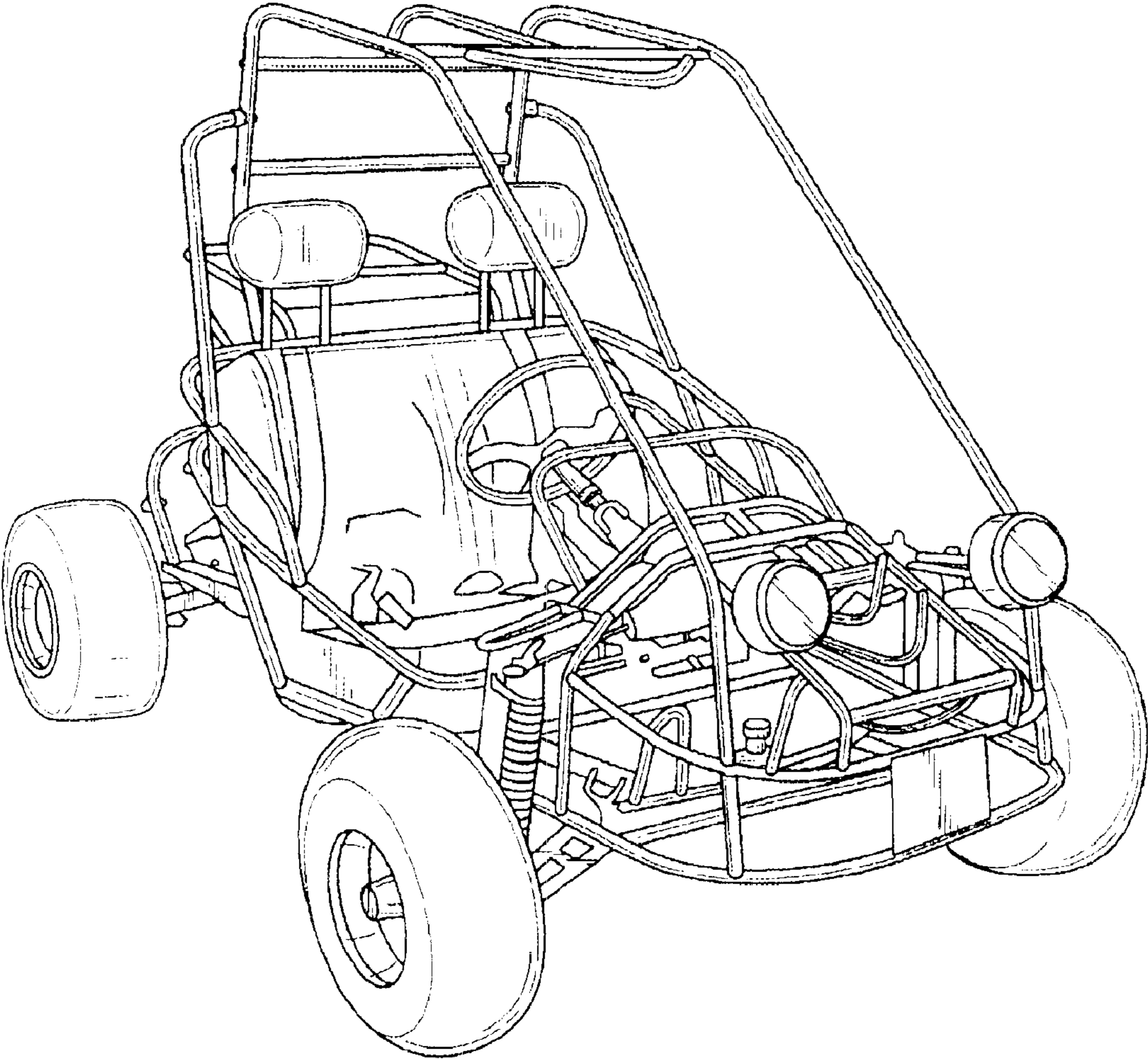


FIG.1

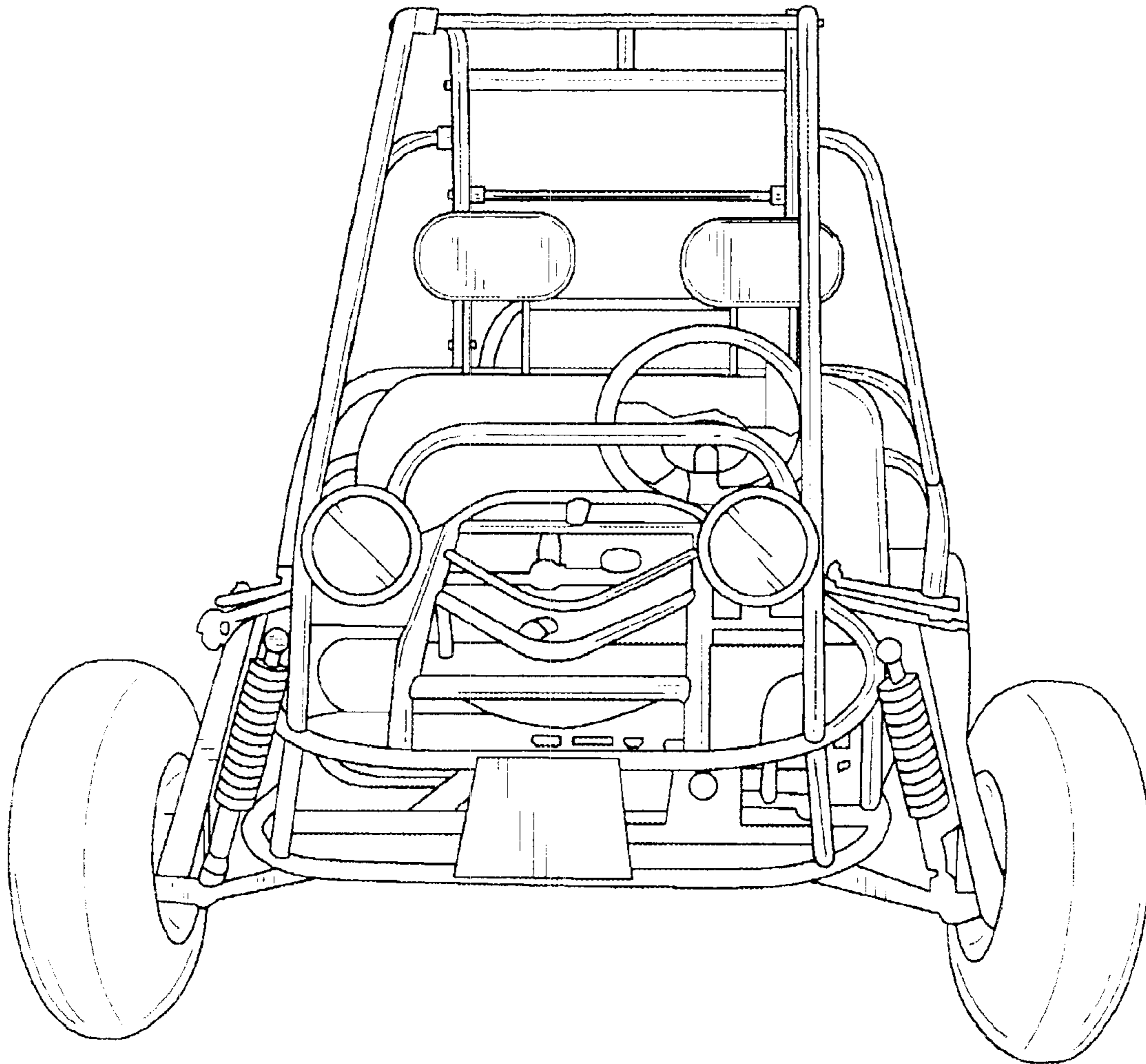


FIG.2



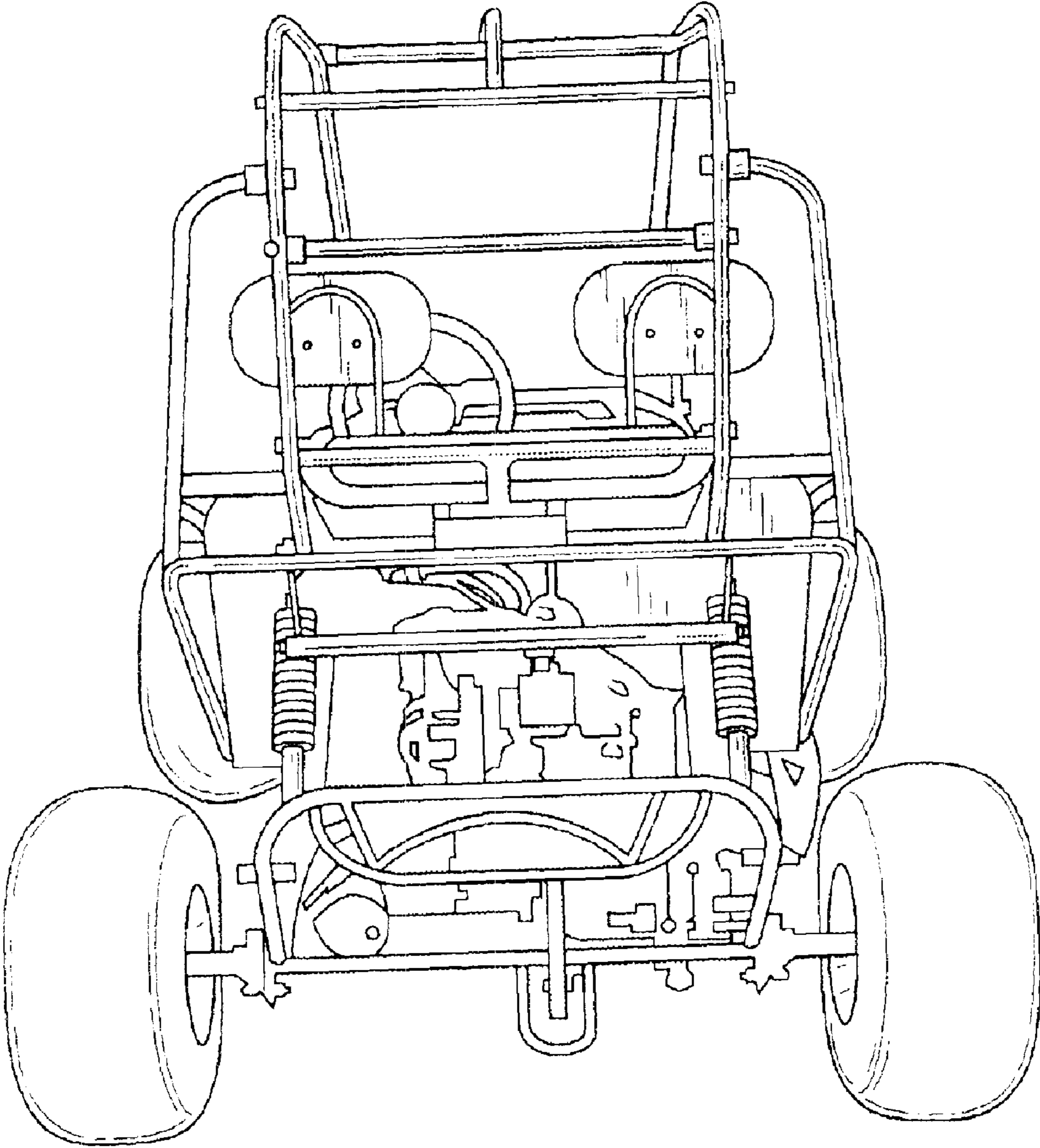


FIG.3

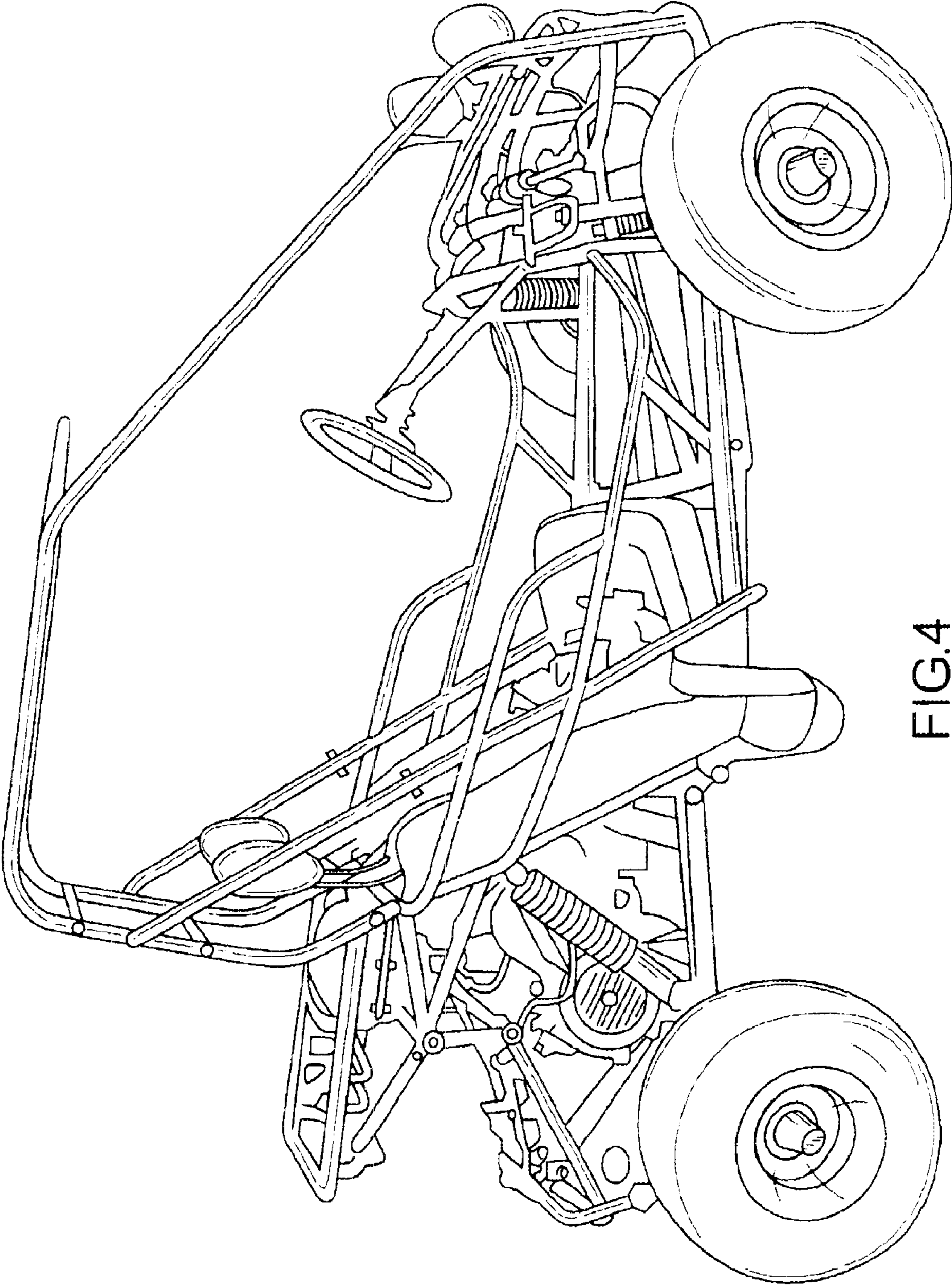


FIG.4

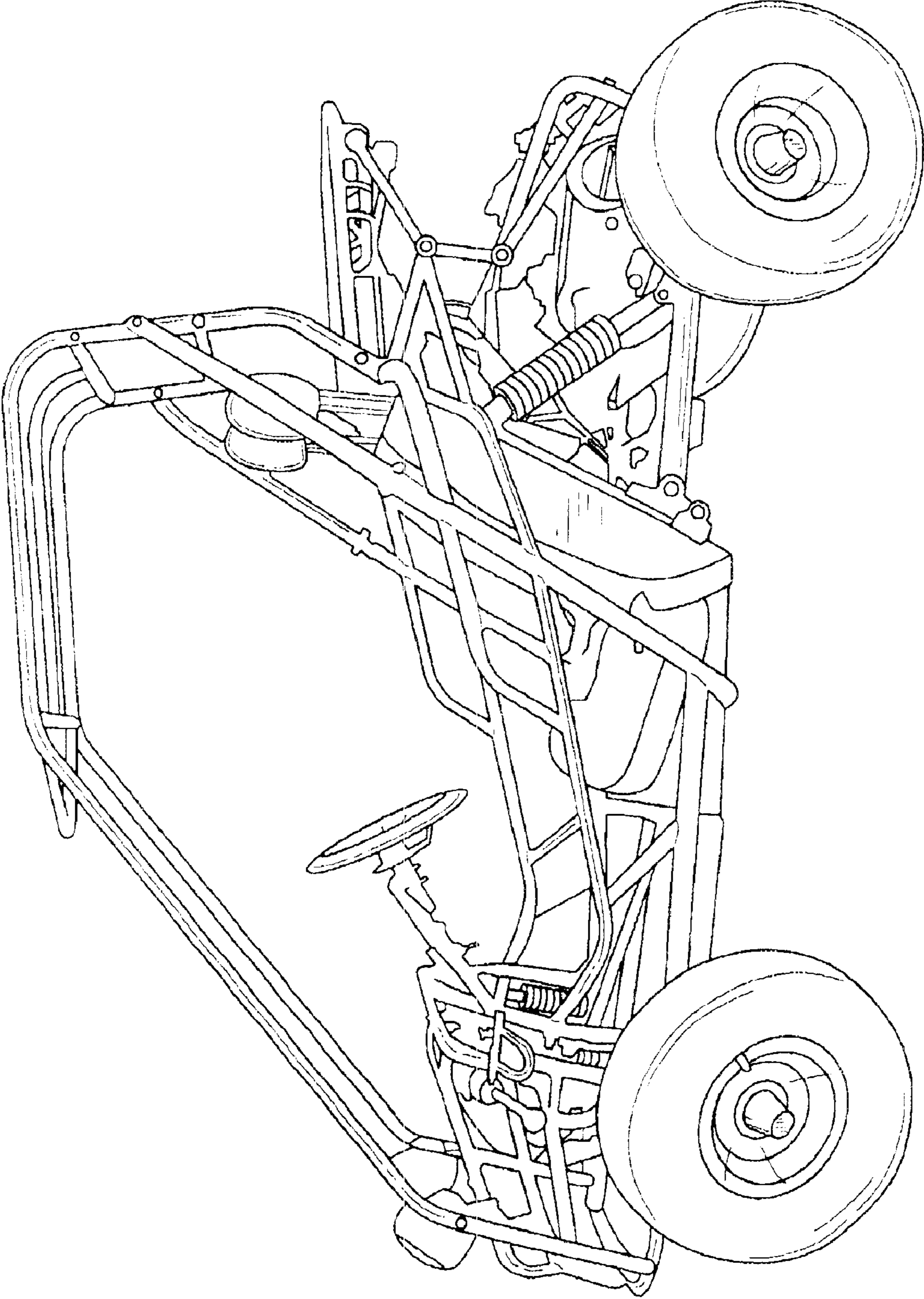


FIG.5



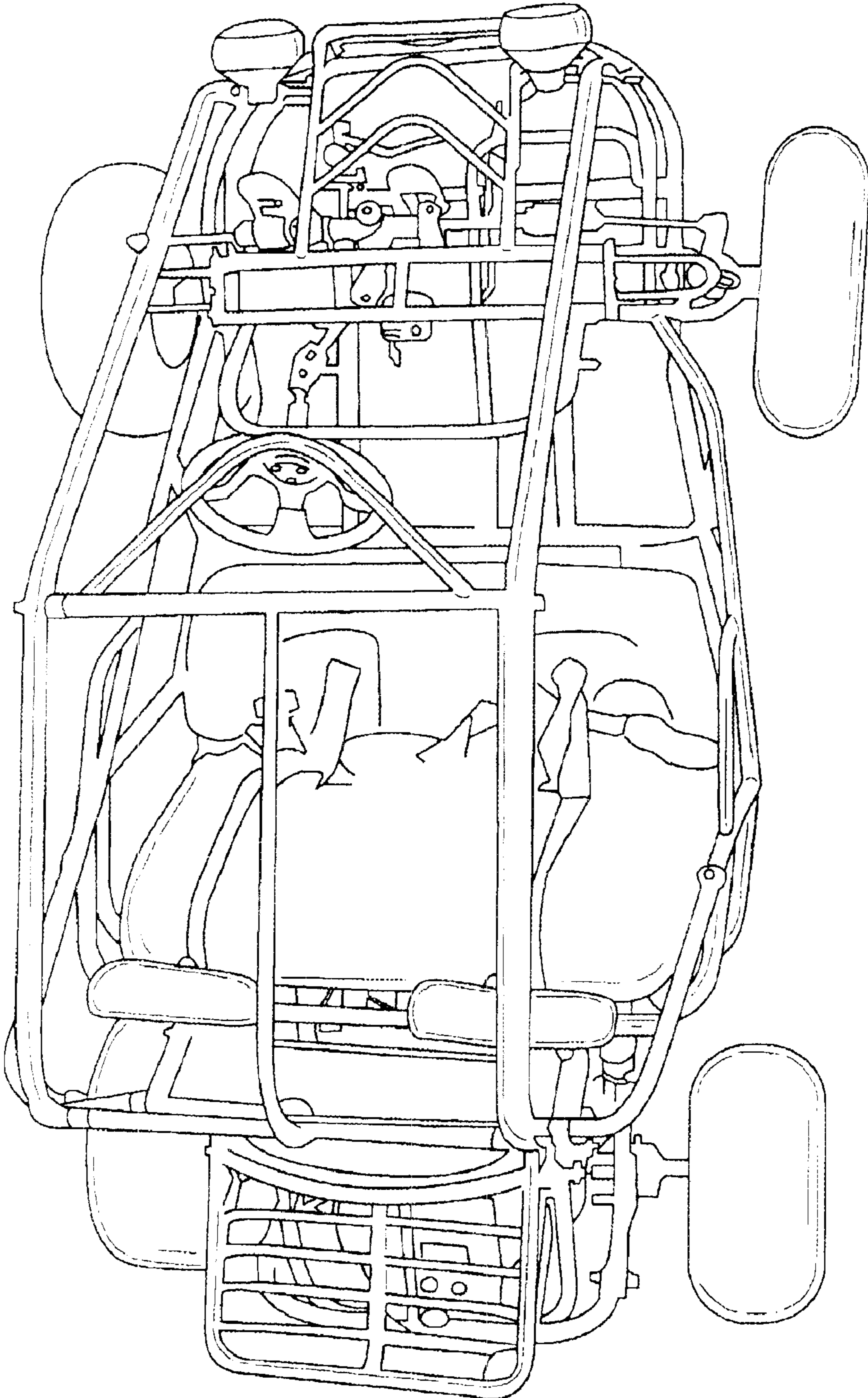


FIG.6