

US00D503654S

(12) **United States Design Patent**  
**Harbaugh**

(10) **Patent No.:** **US D503,654 S**

(45) **Date of Patent:** **\*\* Apr. 5, 2005**

(54) **PLANTER**

(76) **Inventor:** **Kenneth A. Harbaugh**, 9886  
Riverwood Ct., Douglasville, GA (US)  
30135

(\*\*) **Term:** **14 Years**

(21) **Appl. No.:** **29/200,022**

(22) **Filed:** **Feb. 23, 2004**

(51) **LOC (7) Cl.** ..... **11-02**

(52) **U.S. Cl.** ..... **D11/151; D11/152; D11/153**

(58) **Field of Search** ..... D11/143, 148-149,  
D11/151-154; D6/403-404; 47/65.5, 65.7,  
67, 71, 72; 206/423; 248/27.8; D7/518,  
521, 564-565, 585

(56) **References Cited**

**U.S. PATENT DOCUMENTS**

D398,557 S \* 9/1998 Grosfillex ..... D11/152  
D404,340 S \* 1/1999 Grosfillex ..... D11/151

D426,172 S \* 6/2000 Lin ..... D11/152  
D479,694 S \* 9/2003 Harbaugh ..... D11/151  
D479,810 S \* 9/2003 Harbaugh ..... D11/151  
D485,785 S \* 1/2004 Harbaugh ..... D11/151

\* cited by examiner

*Primary Examiner*—Mimosa De

(74) *Attorney, Agent, or Firm*—Kilpatrick Stockton LLP

(57) **CLAIM**

The ornamental design for a planter, substantially as shown and described.

**DESCRIPTION**

FIG. 1 is a perspective view showing the planter;  
FIG. 2 is a front view thereof, the rear view being the same;  
FIG. 3 is a side view thereof, the opposite side view being the same;  
FIG. 4 is a top view thereof; and,  
FIG. 5 is a bottom view thereof.

**1 Claim, 2 Drawing Sheets**





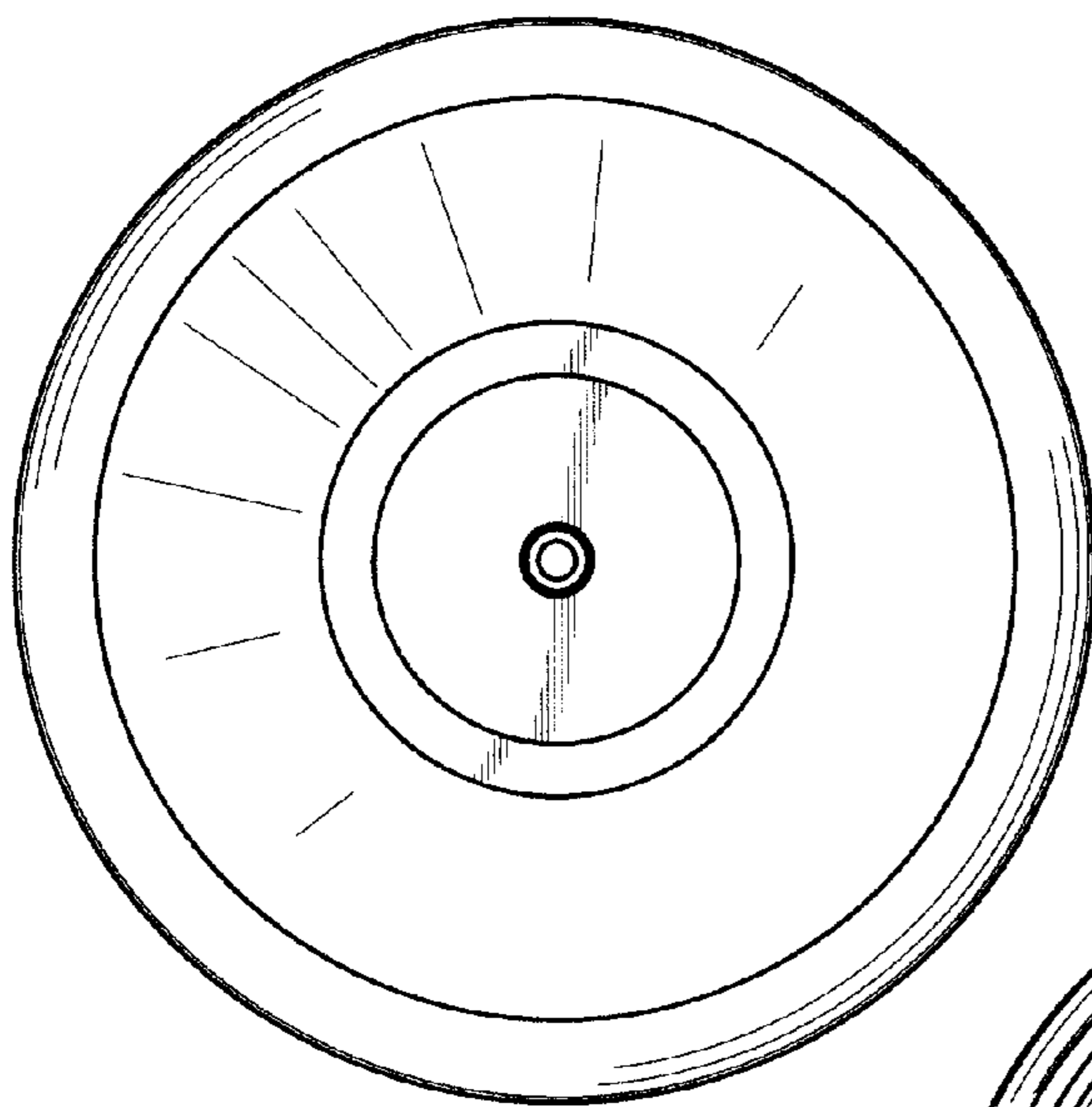
*Fig. 1*



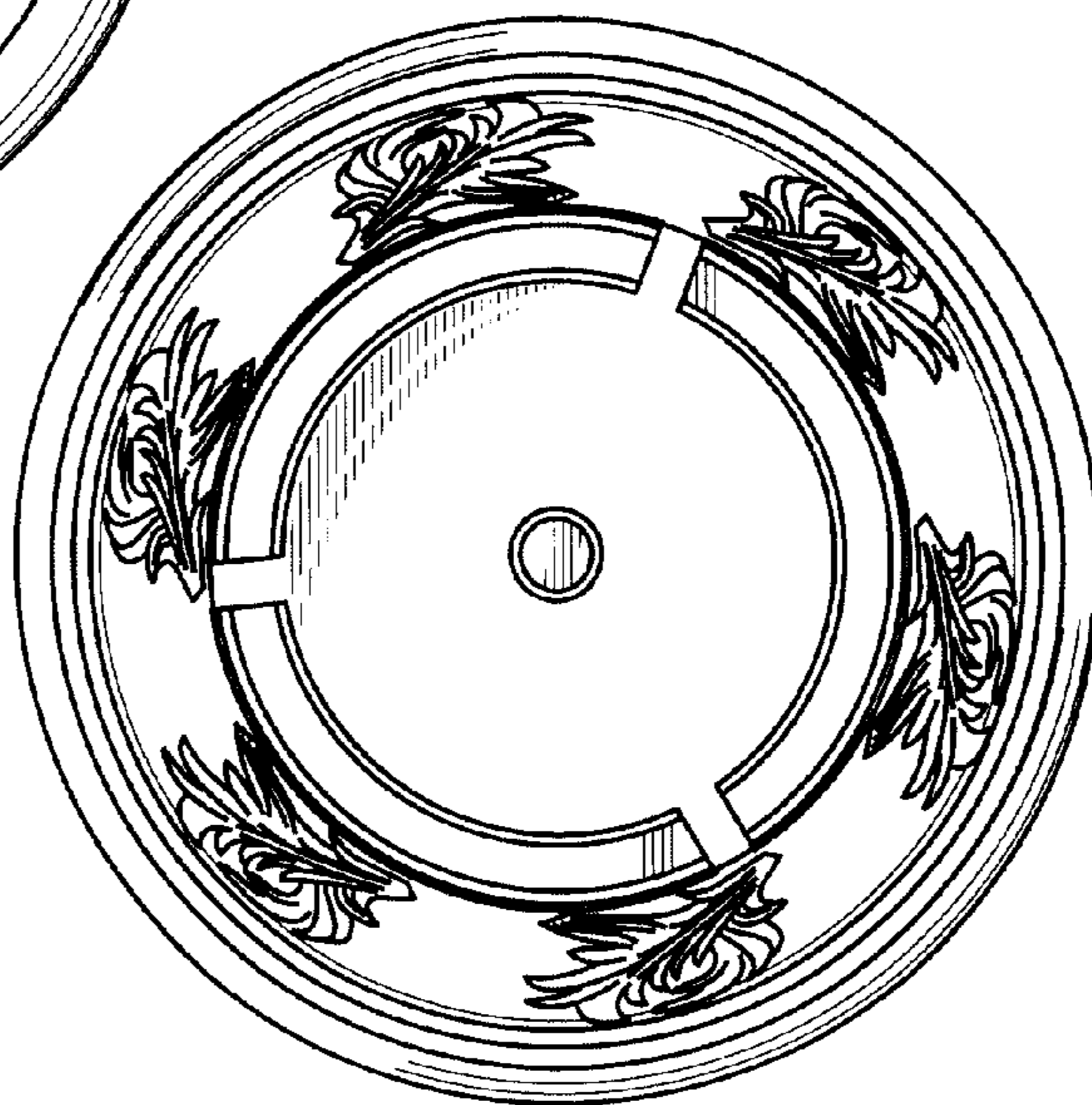
*Fig. 2*



*Fig. 3*



*Fig. 4*



*Fig. 5*