

US00D503645S

(12) **United States Design Patent** (10) **Patent No.:** **US D503,645 S**
Wirth et al. (45) **Date of Patent:** **** Apr. 5, 2005**

(54) **GUIDANCE WAND**
 (75) Inventors: **Steven E. Wirth**, Bloomington, MN (US); **Todd J. Olson**, New Ulm, MN (US)
 (73) Assignee: **Safety Mowstor, Inc.**, Bloomington, MN (US)
 (**) Term: **14 Years**
 (21) Appl. No.: **29/175,756**
 (22) Filed: **Feb. 10, 2003**
 (51) **LOC (7) Cl.** **10-05**
 (52) **U.S. Cl.** **D10/114; D10/109; D25/121**
 (58) **Field of Search** **D10/104-106, D10/109, 111, 114; D25/119-125; 116/63 P, 63 R, 1, 169, 173, 200; 362/101, 102; 340/321; 40/586**

4,967,322 A * 10/1990 DuBois 362/102
 D319,509 S * 8/1991 Ogilvie D25/122
 D325,002 S * 3/1992 Brau D10/114
 5,092,807 A * 3/1992 Lew et al. 446/219
 D328,140 S * 7/1992 Ahlstrom et al. D25/120
 5,185,948 A * 2/1993 Markson 40/506
 5,241,418 A * 8/1993 Doak 359/616
 D343,312 S * 1/1994 Burdick et al. D6/495
 5,307,251 A * 4/1994 Shaffer 362/102
 5,378,151 A * 1/1995 Lukase et al. 433/150
 5,379,567 A * 1/1995 Vahey 52/724.5
 D360,039 S * 7/1995 Stagl D25/122
 5,450,810 A * 9/1995 Knight 116/26
 5,487,203 A * 1/1996 Brach et al. 15/245
 5,490,465 A * 2/1996 Hoyt et al. 108/51.3

(Continued)

FOREIGN PATENT DOCUMENTS

WO DM/060165 * 3/2002

OTHER PUBLICATIONS

tlb plastics corporation advertisement, Oct. 1980 D+Cl, p. 125, triangular package and triangular tubing.*
 Machine Design, Dec. 1949, "Which Copper-Base Alloy?", p. 125, triangular tubes shown therein.*
 FORM, IV 76, 1976, Gehr advertisement, p. 89, triangular tube shown therein.*

Primary Examiner—Jeffrey Asch

(57) **CLAIM**

The ornamental design for a guidance wand, as shown.

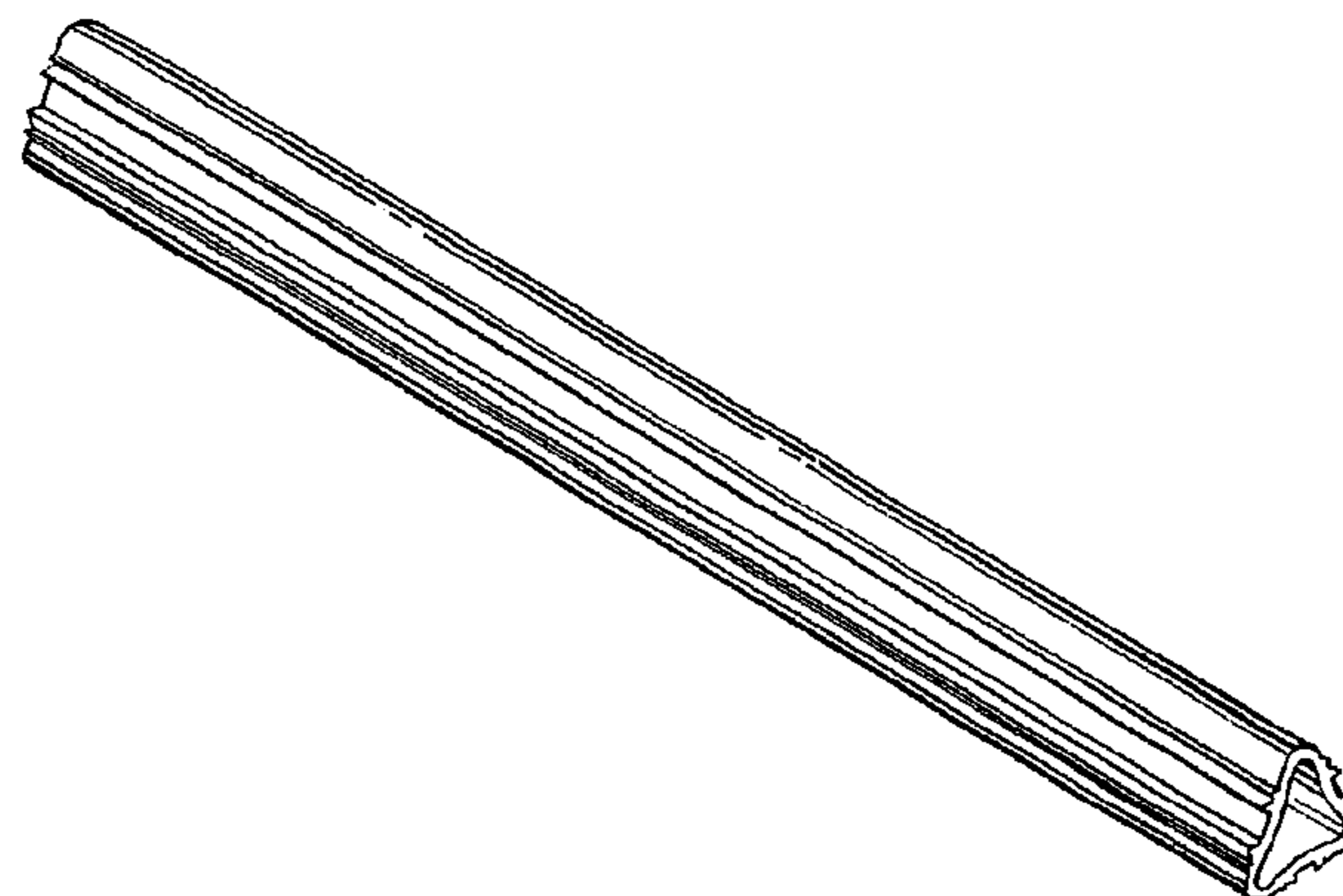
DESCRIPTION

FIG. 1 is an isometric view of a guidance wand showing our new design;
 FIG. 2 is an elevational or side view of one of the three sides of the wand shown in FIG. 1, all three sides being identical; and,
 FIG. 3 is an end view of the guidance wand shown in FIG. 1, both ends being identical.

1 Claim, 1 Drawing Sheet

(56) **References Cited**
U.S. PATENT DOCUMENTS

D91,692 S * 3/1934 Stuart D25/122
 2,611,019 A * 9/1952 Warner 340/321
 3,166,100 A * 1/1965 Tiola 138/171
 3,244,348 A * 4/1966 Shaw 229/238
 D204,889 S * 5/1966 Gingher D8/377
 D206,428 S * 12/1966 Feldmahr D19/32
 3,383,675 A * 5/1968 Carrothers et al. 340/321
 3,418,651 A * 12/1968 Jacobson 340/321
 3,606,230 A * 9/1971 Hargreaves 248/346.01
 3,648,920 A * 3/1972 Stump 229/199
 D225,709 S * 1/1973 Pace D6/509
 3,891,136 A * 6/1975 Woeste 229/115
 D237,485 S * 11/1975 Lundberg D25/124
 3,917,194 A * 11/1975 Muller 244/46
 D240,725 S * 7/1976 Dillon D25/122
 4,182,063 A * 1/1980 Klosel 40/610
 4,187,830 A * 2/1980 Creasey 126/521
 4,294,379 A * 10/1981 Bard 220/495.04
 D274,317 S * 6/1984 Nelson D10/114
 4,793,671 A * 12/1988 Palochak et al. 359/616
 4,813,174 A * 3/1989 Cook 43/107



US D503,645 S

Page 2

U.S. PATENT DOCUMENTS

5,531,043 A *	7/1996	Shiboh	43/131	6,099,203 A *	8/2000	Landes	404/10
D379,705 S *	6/1997	Delmerico et al.	D34/27	6,178,798 B1 *	1/2001	Kowalski et al.	72/200
D382,146 S *	8/1997	Sandy	D6/492	D439,838 S *	4/2001	Sagel et al.	D9/430
D389,420 S *	1/1998	Campman	D10/114	D449,011 S *	10/2001	Kuvlesky	D10/109
5,709,005 A *	1/1998	Brach et al.	15/145	D450,144 S *	11/2001	Kim	D26/38
D397,054 S *	8/1998	Brantley et al.	D10/109	6,561,119 B1 *	5/2003	Rigitano	116/63 P
D399,400 S *	10/1998	Weber	D8/70	D487,231 S *	3/2004	Sohn	D10/109
5,899,210 A *	5/1999	Letherby et al.	132/76.4	2004/0154525 A1 *	8/2004	Wirth et al.	116/1
D410,862 S *	6/1999	Mihov	D10/109				

* cited by examiner

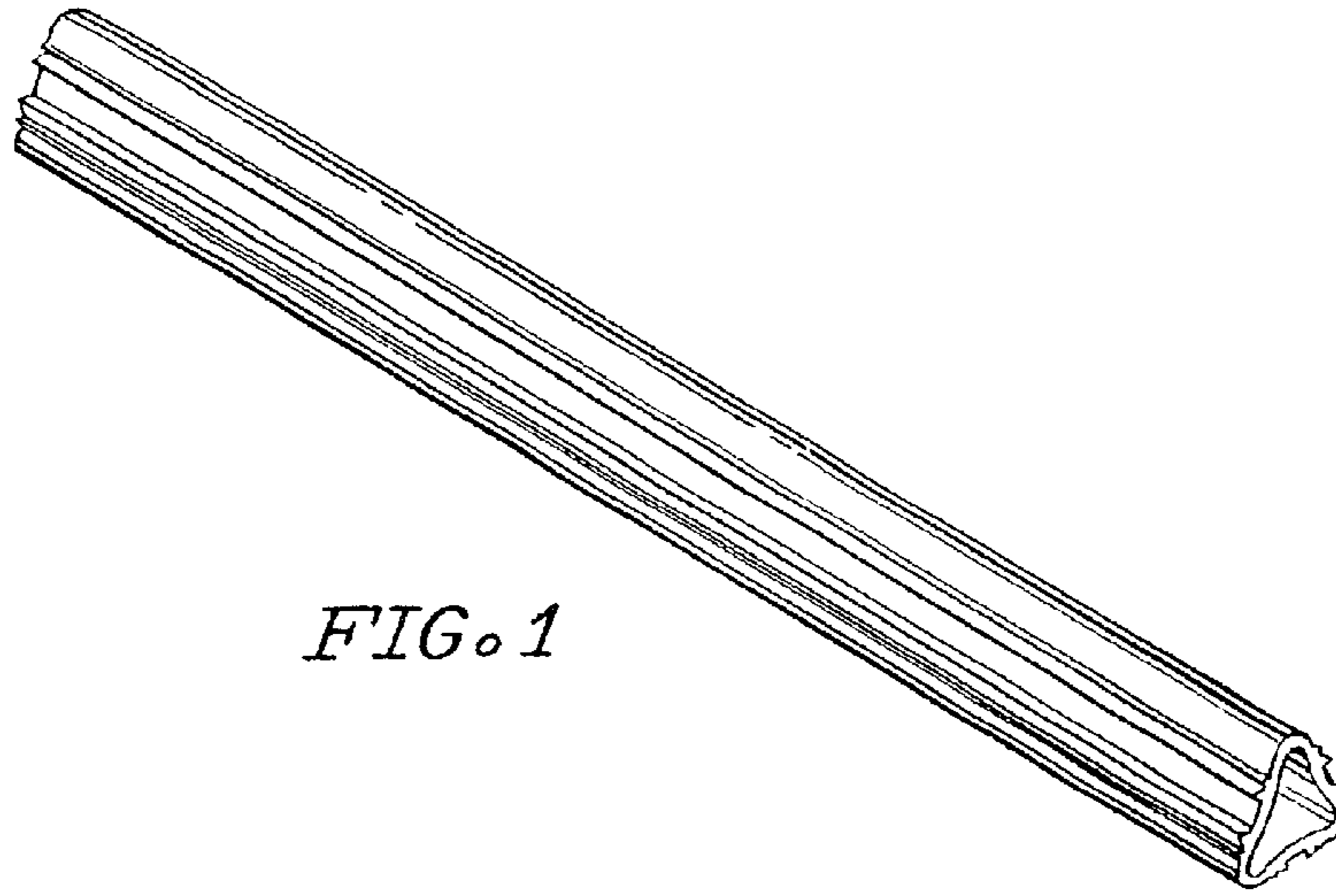


FIG. 1

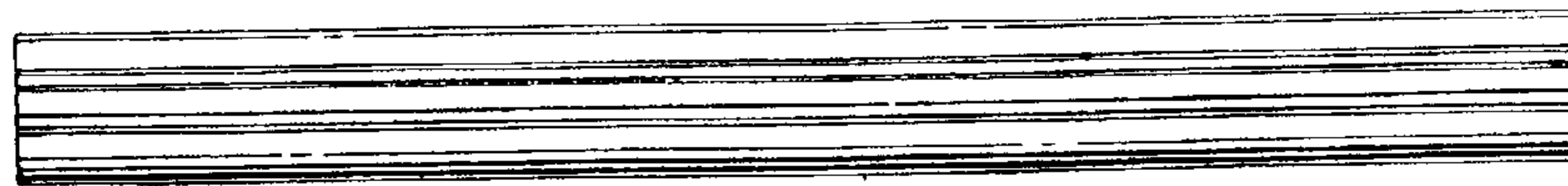


FIG. 2

FIG. 3

