

US00D503636S

(12) **United States Design Patent**
Kim

(10) **Patent No.:** **US D503,636 S**

(45) **Date of Patent:** **** Apr. 5, 2005**

(54) **PARALLELOGRAM-GRIP LEVEL**

D479,139 S * 9/2003 Kallabis et al. D10/69

(75) **Inventor:** **Charles D. Kim**, Raleigh, NC (US)

* cited by examiner

(73) **Assignee:** **Empire Level Mfg. Corp.**,
Mukwonago, WI (US)

Primary Examiner—Antoine D. Davis

(74) *Attorney, Agent, or Firm*—Jansson, Shupe & Munger,
Ltd.

(**) **Term:** **14 Years**

(57) **CLAIM**

(21) **Appl. No.:** **29/203,681**

The ornamental design for a parallelogram-grip level, as shown and described.

(22) **Filed:** **Apr. 16, 2004**

DESCRIPTION

(51) **LOC (7) Cl.** **10-04**

FIG. 1 is a perspective view of the invention.

(52) **U.S. Cl.** **D10/69**

FIG. 2 is a top view of the invention.

(58) **Field of Search** D10/69; 33/365,
33/366.11–366.27, 367–391

FIG. 3 is a front view of the invention, the rear view is identical.

(56) **References Cited**

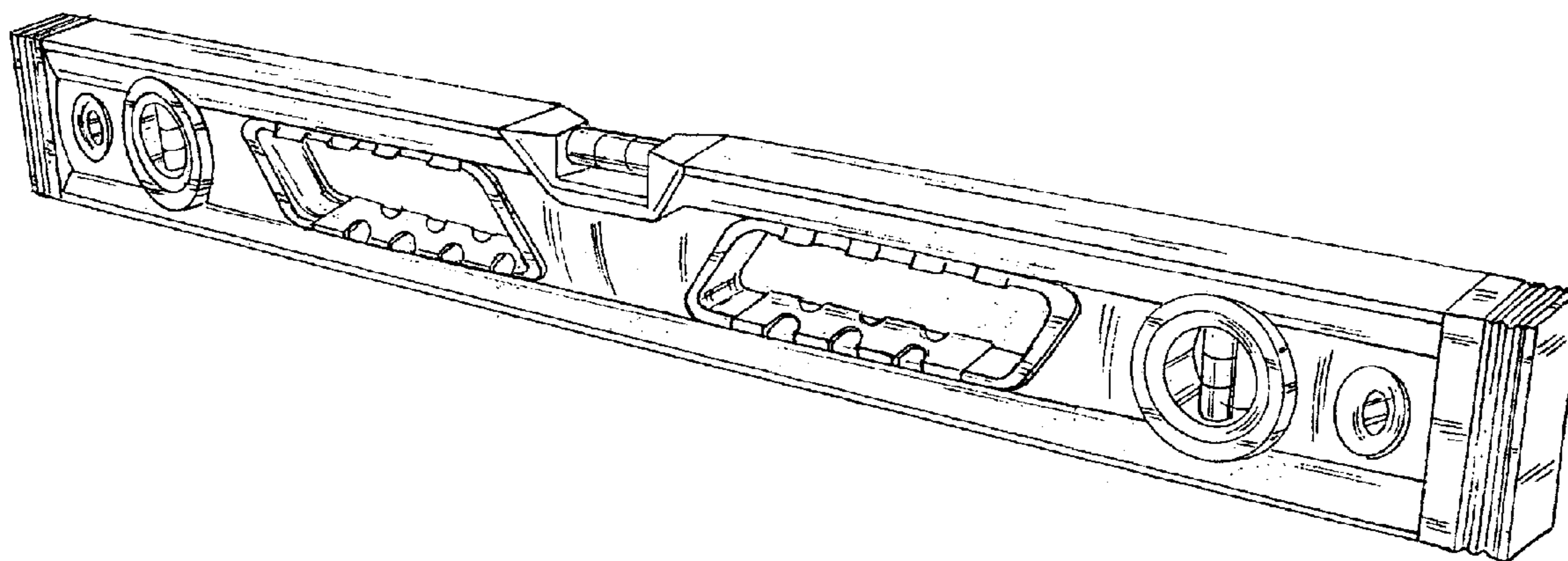
FIG. 4 is a bottom view of the invention; and,

FIG. 5 is a right side view of the invention, the left side view is identical.

U.S. PATENT DOCUMENTS

D469,370 S * 1/2003 Gruetzmacher et al. D10/69

1 Claim, 2 Drawing Sheets



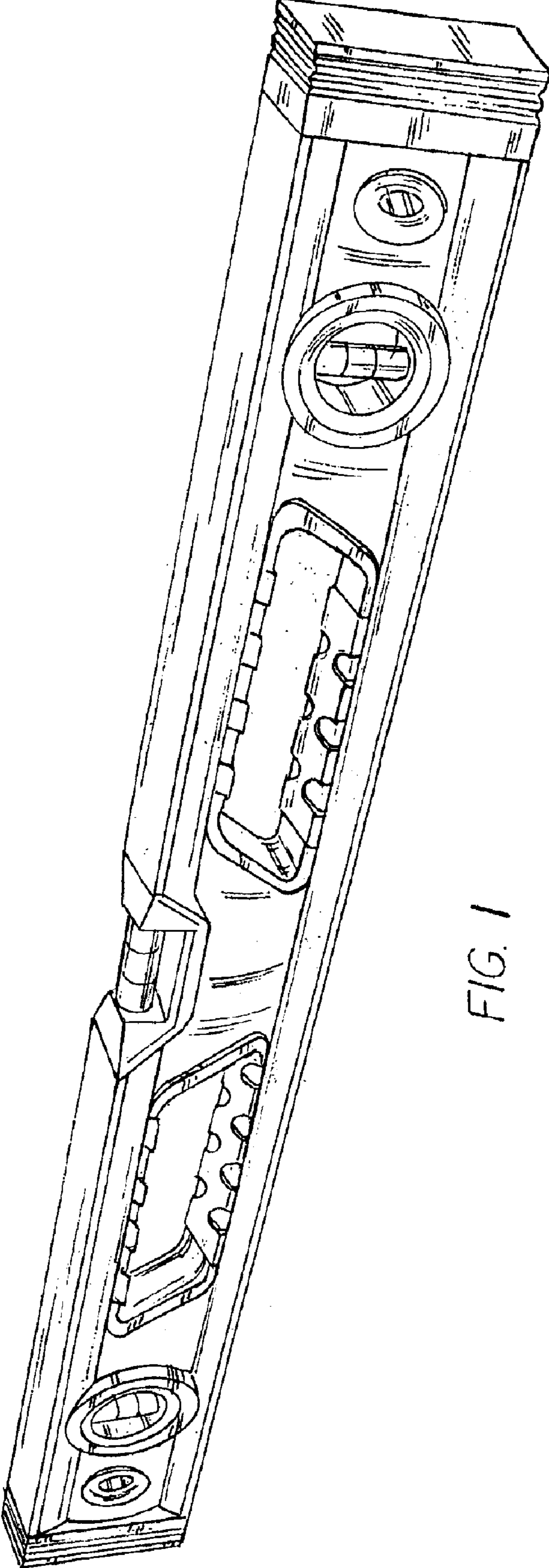


FIG. 1

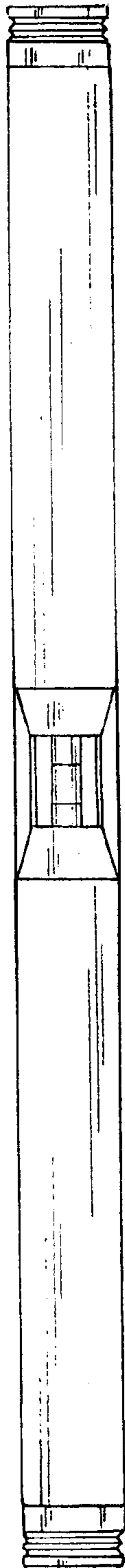


FIG 2

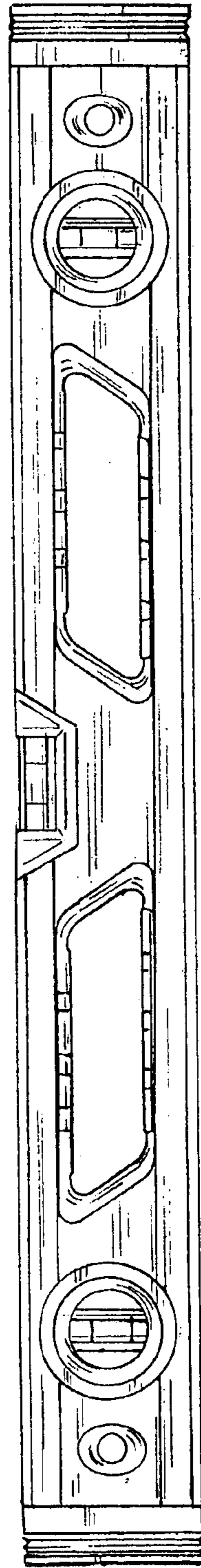


FIG 3

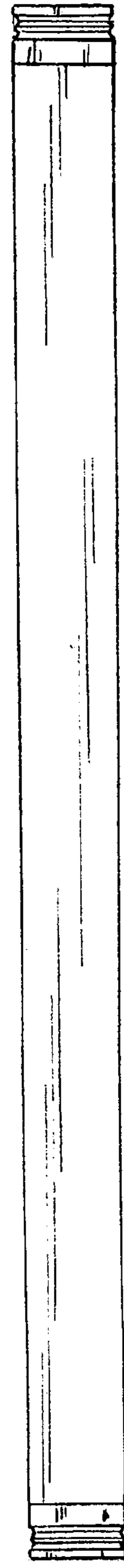


FIG 4

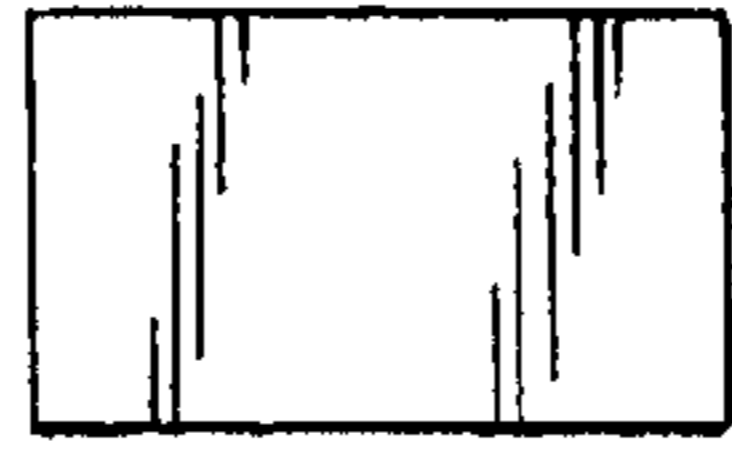


FIG 5