

US00D503635S

(12) **United States Design Patent**  
**Kallabis**

(10) **Patent No.:** **US D503,635 S**

(45) **Date of Patent:** **\*\* Apr. 5, 2005**

(54) **SPIRIT LEVEL**

(75) **Inventor:** **Gabriel Kallabis**, Spirkelbach (DE)

(73) **Assignee:** **Atabila Messgerate Gustav Ullrich GmbH**, Annweiler (DE)

(\*\*) **Term:** **14 Years**

(21) **Appl. No.:** **29/203,570**

(22) **Filed:** **Apr. 16, 2004**

(30) **Foreign Application Priority Data**

Oct. 30, 2003 (EM) ..... 98728

(51) **LOC (7) Cl.** ..... **10-04**

(52) **U.S. Cl.** ..... **D10/69**

(58) **Field of Search** ..... D10/69; 33/365,  
33/366.11-366.27, 367-391

(56) **References Cited**

**U.S. PATENT DOCUMENTS**

D497,316 S \* 10/2004 Kun et al. .... D10/69

\* cited by examiner

*Primary Examiner*—Antoine D. Davis

(74) *Attorney, Agent, or Firm*—Dennison, Schultz,  
Dougherty & MacDonald

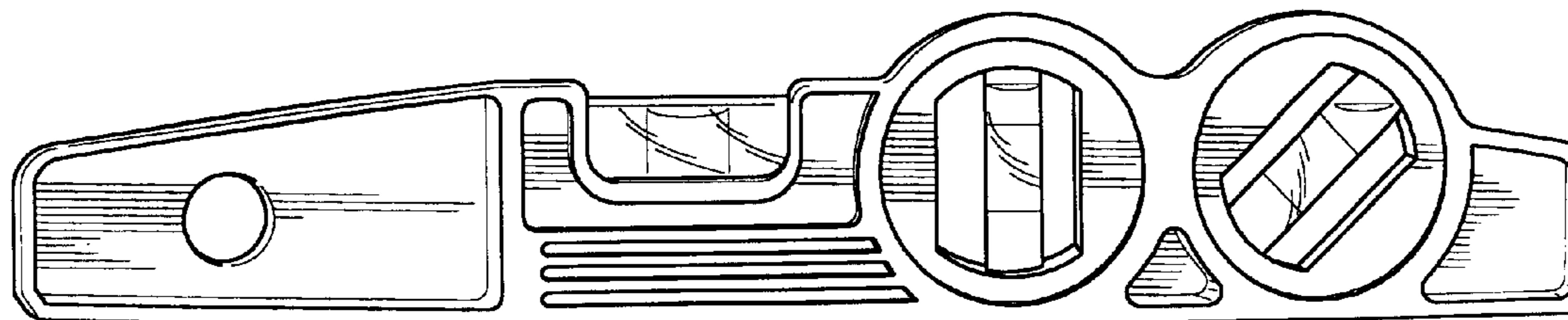
(57) **CLAIM**

The ornamental design for a spirit level, as shown and described.

**DESCRIPTION**

FIG. 1 is a front view;  
FIG. 2 is a left side view;  
FIG. 3 is a right side view;  
FIG. 4 is a rear view;  
FIG. 5 is a perspective front and left side view;  
FIG. 6 is a perspective front and right side view;  
FIG. 7 is a perspective rear and right side view;  
FIG. 8 is a perspective rear and left side view;  
FIG. 9 is a top view; and,  
FIG. 10 is a bottom view.

**1 Claim, 2 Drawing Sheets**



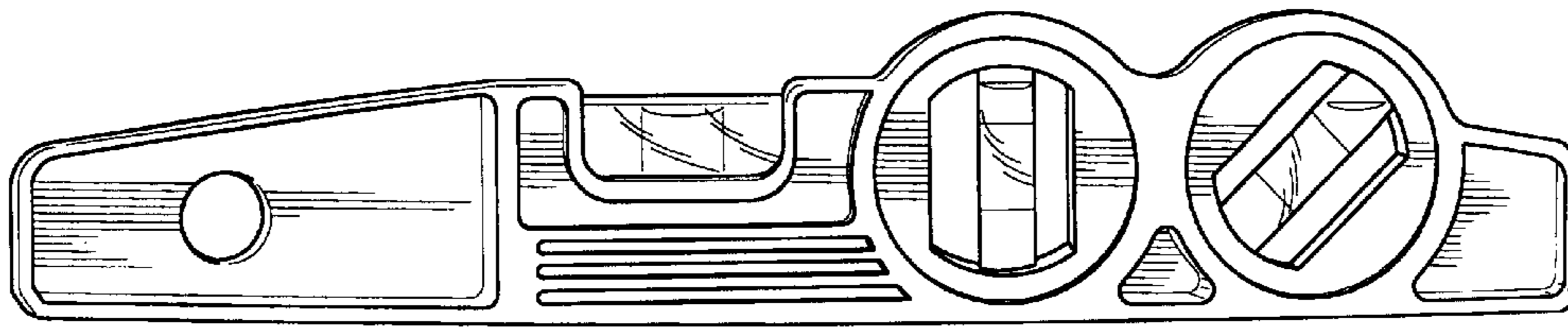


FIG. 1

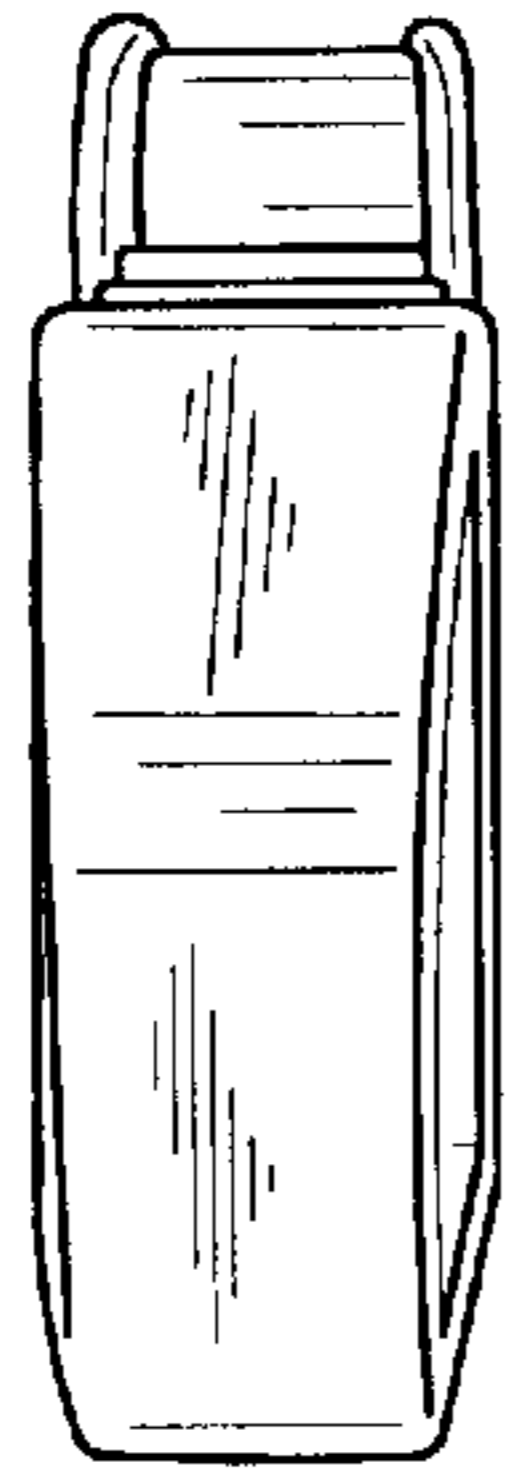


FIG. 2

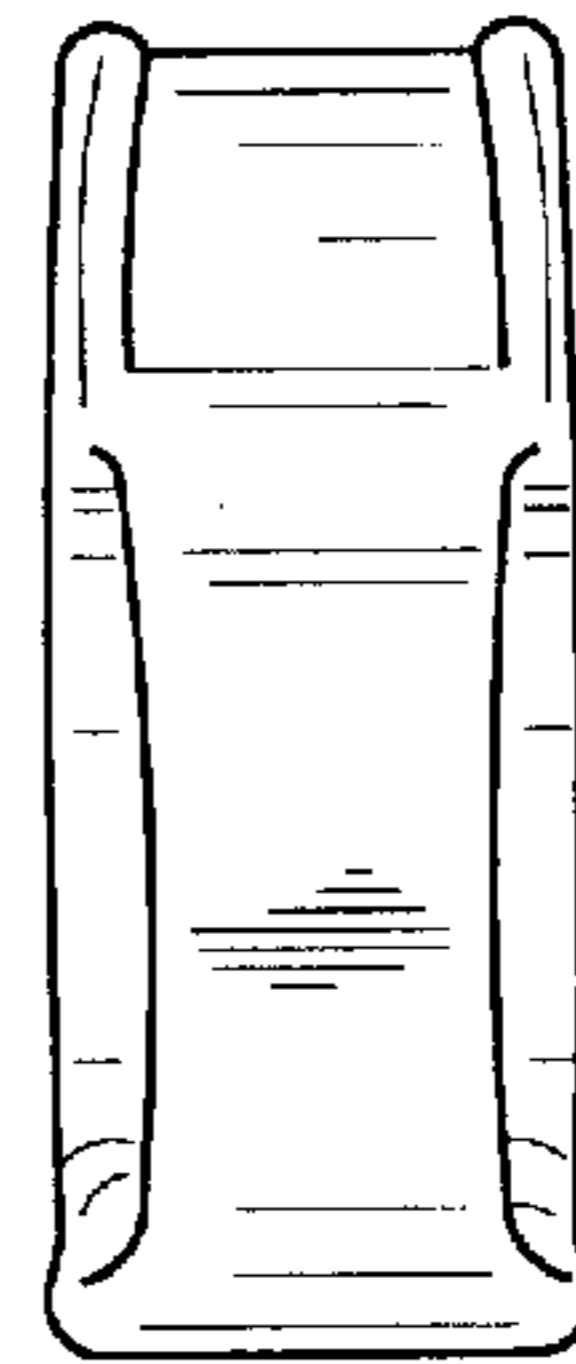


FIG. 3

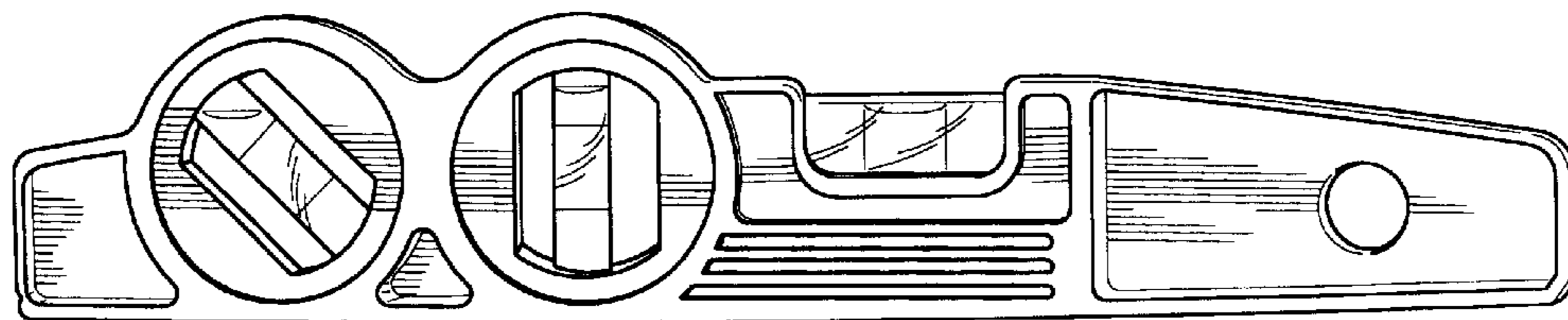


FIG. 4

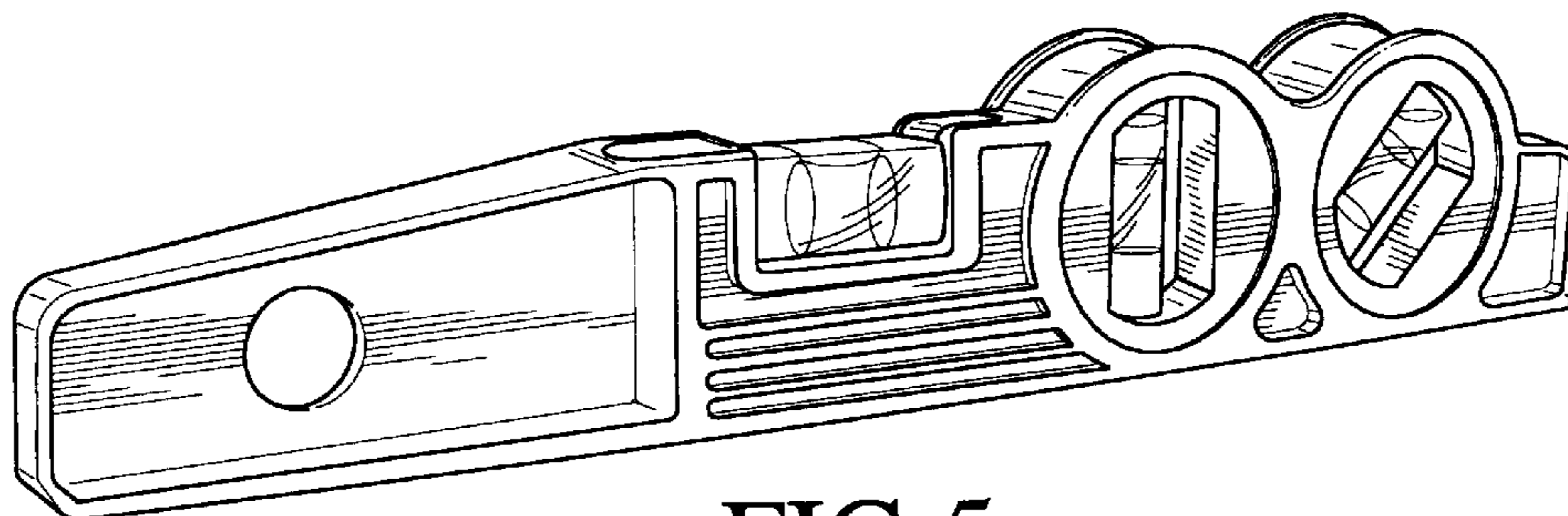


FIG. 5

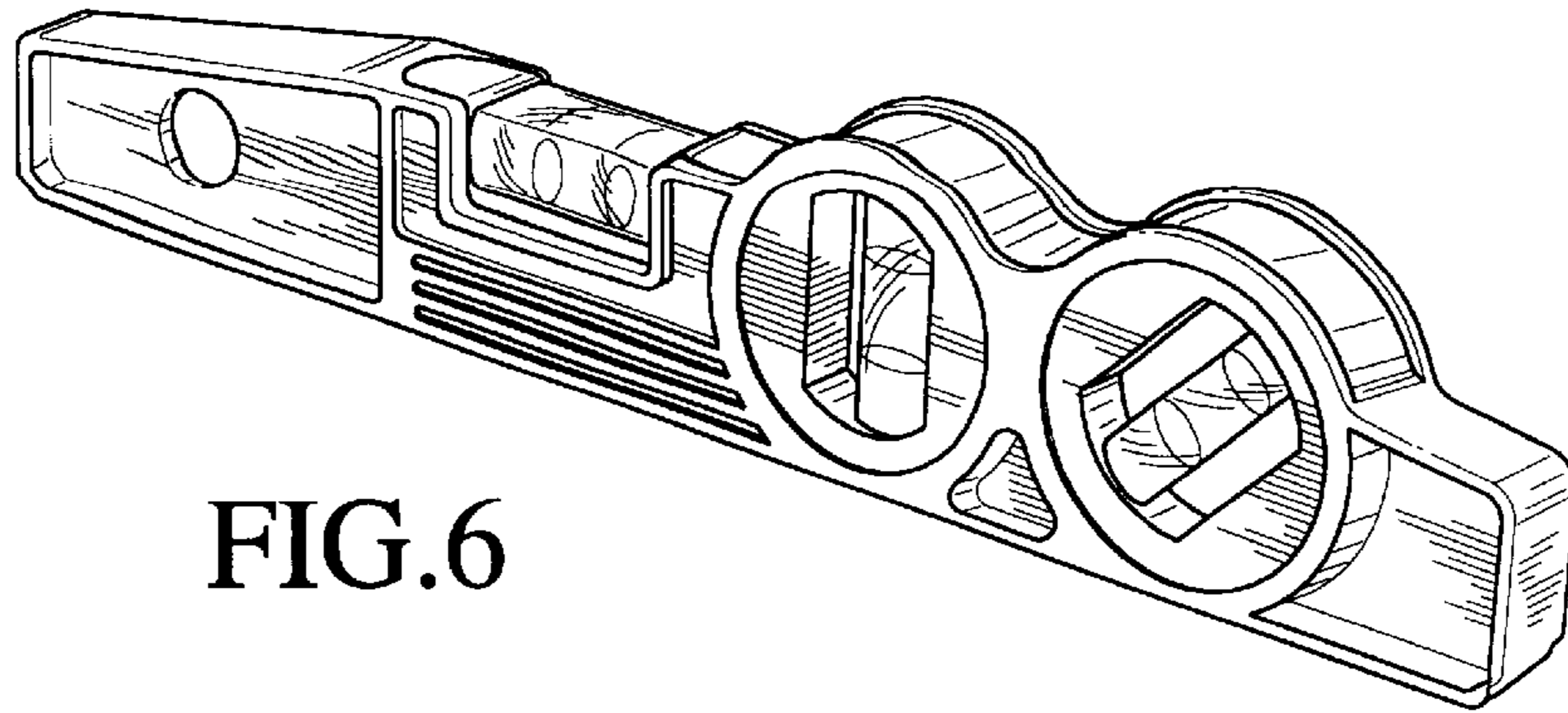


FIG. 6

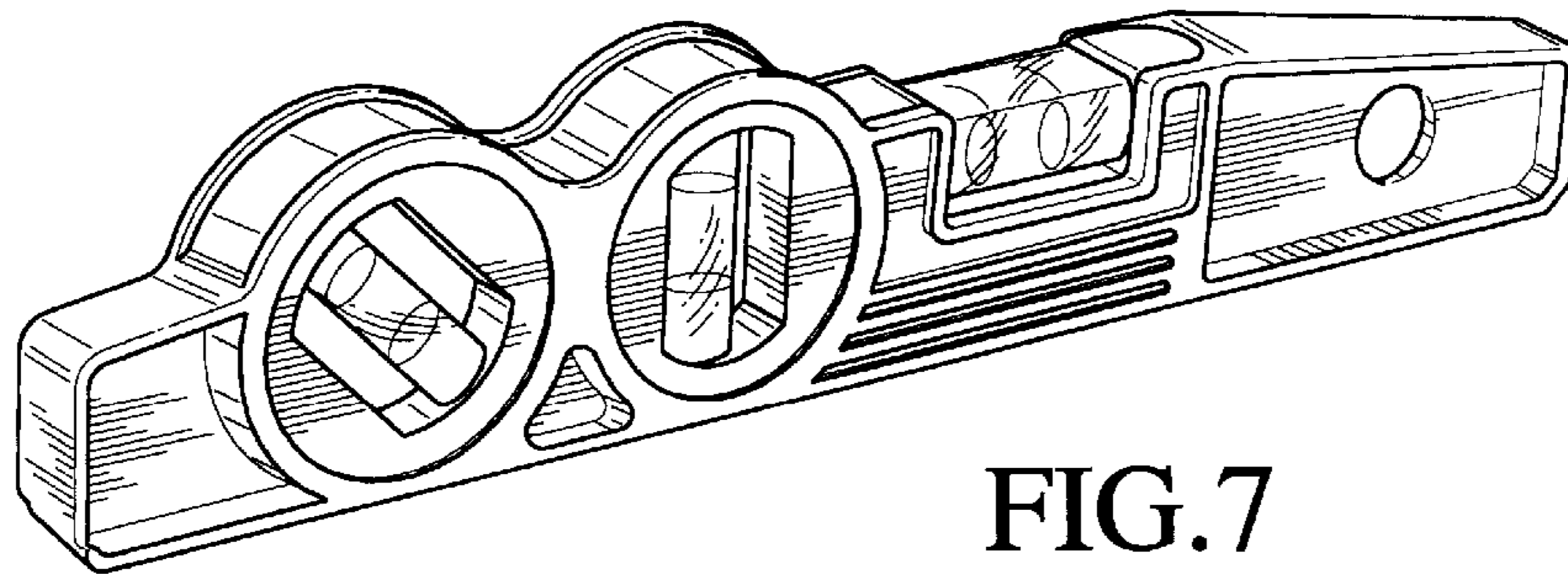


FIG. 7

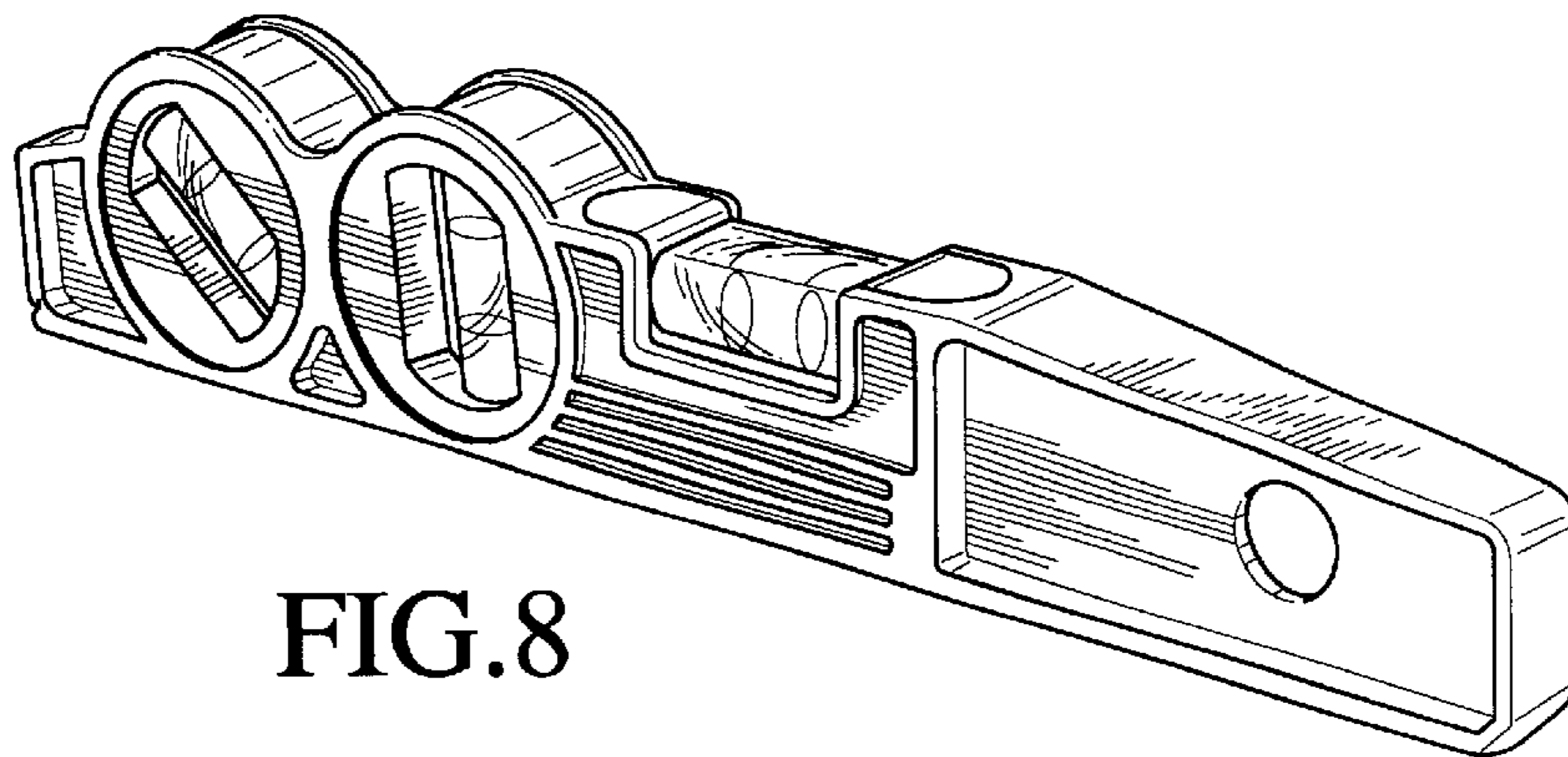


FIG. 8

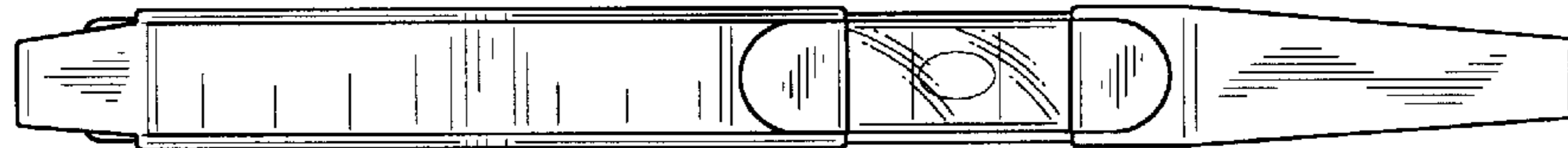


FIG. 9

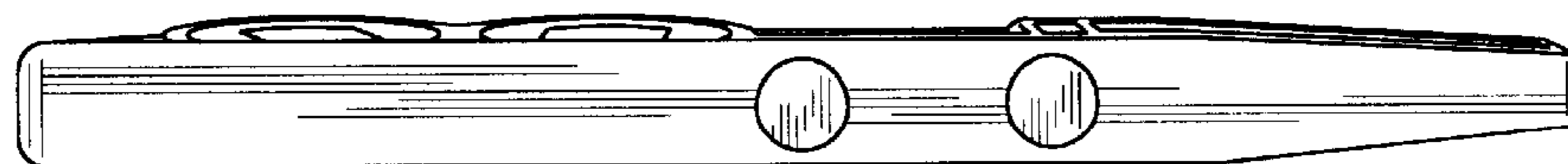


FIG. 10

UNITED STATES PATENT AND TRADEMARK OFFICE  
**CERTIFICATE OF CORRECTION**

PATENT NO. : Des. 503,635 S  
APPLICATION NO. : 29/203570  
DATED : April 5, 2005  
INVENTOR(S) : Gabriel Kallabis

Page 1 of 1

It is certified that error appears in the above-identified patent and that said Letters Patent is hereby corrected as shown below:

Title page, after "(73) Assignee:" change the name of the Assignee to read: --Stabila Messgerate Gustave Ulrich GmbH--

Signed and Sealed this

Twenty-fifth Day of December, 2007

A handwritten signature in black ink that reads "Jon W. Dudas". The signature is written in a cursive style with a large, looped initial "J".

JON W. DUDAS

*Director of the United States Patent and Trademark Office*

UNITED STATES PATENT AND TRADEMARK OFFICE  
**CERTIFICATE OF CORRECTION**

PATENT NO. : Des. 503,635 S  
APPLICATION NO. : 29/203570  
DATED : April 5, 2005  
INVENTOR(S) : Gabriel Kallabis

Page 1 of 1

It is certified that error appears in the above-identified patent and that said Letters Patent is hereby corrected as shown below:

Title page, after "(73) Assignee:" change the name of the Assignee to read: --Stabila Messgerate Gustav Ullrich GmbH--

This certificate supersedes the Certificate of Correction issued December 25, 2007.

Signed and Sealed this

Nineteenth Day of February, 2008

A handwritten signature in black ink that reads "Jon W. Dudas". The signature is written in a cursive style with a large, looped initial "J".

JON W. DUDAS

*Director of the United States Patent and Trademark Office*