

US00D503634S

(12) **United States Design Patent**
Emerson

(10) **Patent No.:** **US D503,634 S**

(45) **Date of Patent:** **** Apr. 5, 2005**

(54) **STAIR GAUGE**

(76) **Inventor:** **Wayne R. Emerson**, 2 Chaffin Rd.,
Randolph, MA (US) 02368

(**) **Term:** **14 Years**

(21) **Appl. No.:** **29/208,115**

(22) **Filed:** **Jun. 25, 2004**

(51) **LOC (7) Cl.** **10-04**

(52) **U.S. Cl.** **D10/64**

(58) **Field of Search** D10/64; 33/427,
33/563

(56) **References Cited**

U.S. PATENT DOCUMENTS

243,592 A	6/1881	Marvick	
327,283 A	9/1885	Levy	
1,006,815 A	10/1911	Wiegman	
1,050,969 A	1/1913	McLeod	
1,056,917 A	3/1913	Len	
1,189,983 A	7/1916	McLeod	
1,237,790 A	8/1917	Kidder	
1,770,304 A	7/1930	Ferris	
D141,882 S	* 7/1945	Matson	D10/64
2,499,721 A	3/1950	Cassity	
2,637,110 A	* 5/1953	Gilbertson	D10/64
3,112,568 A	12/1963	Baker	
4,280,282 A	* 7/1981	Wright	33/427

4,882,846 A	* 11/1989	Reed	33/427
D305,873 S	* 2/1990	Bisson	D10/62
5,293,722 A	3/1994	Reimann	
5,323,541 A	6/1994	Burnham	
5,388,340 A	2/1995	Marty	
5,461,798 A	10/1995	Ribeiro	
D366,844 S	* 2/1996	Schroeder et al.	D10/64
5,533,270 A	7/1996	van der Heiden	
5,727,325 A	3/1998	Mussell	
6,088,977 A	7/2000	Lawrence	

* cited by examiner

Primary Examiner—Antoine D. Davis

(74) *Attorney, Agent, or Firm*—John P. McGonagle

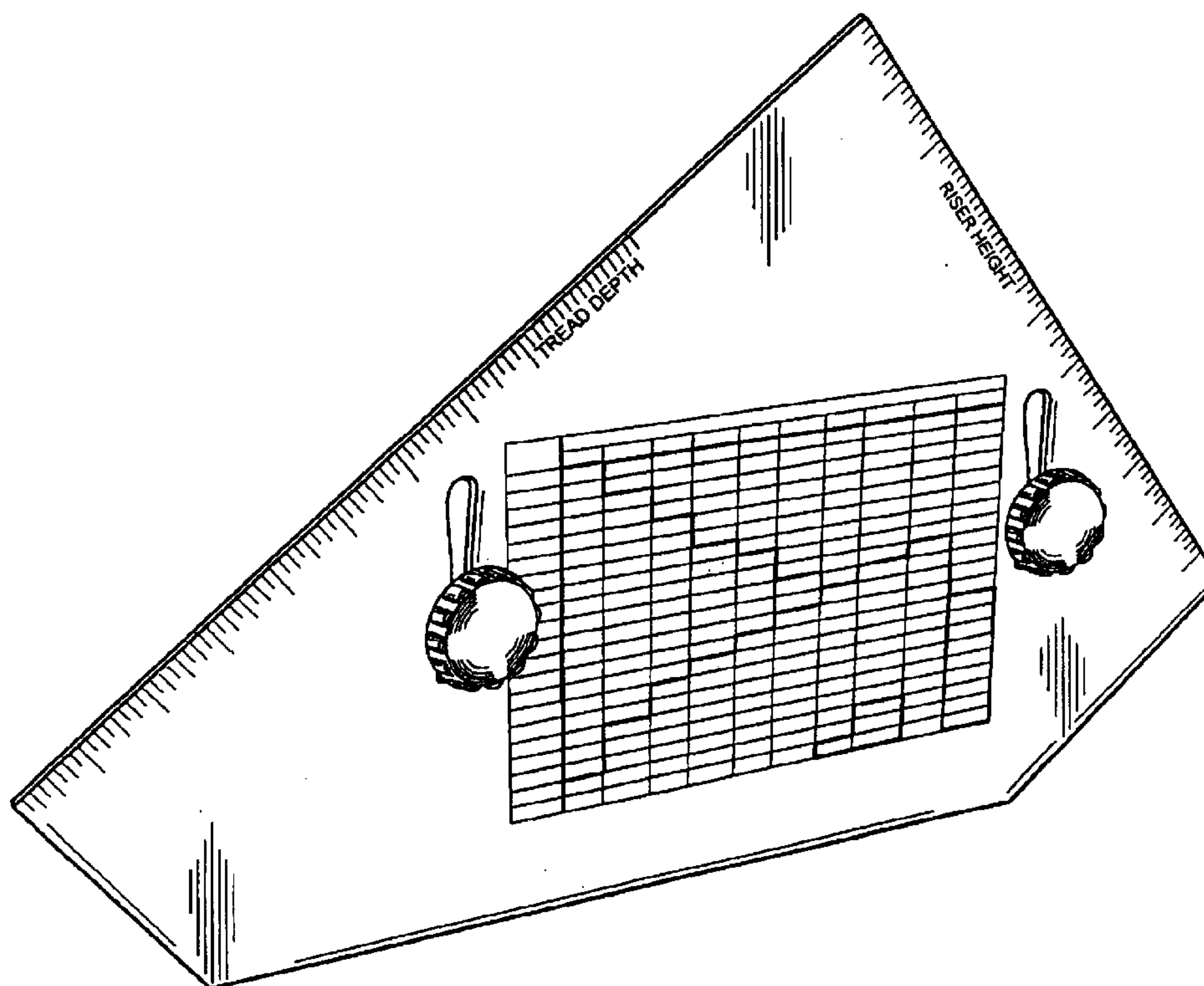
(57) **CLAIM**

The ornamental design for a stair gauge, as shown and described.

DESCRIPTION

FIG. 1 is a front perspective view of a stair gauge embodying my new design;
FIG. 2 is a front elevational view thereof;
FIG. 3 is a left side view thereof;
FIG. 4 is a right side view thereof;
FIG. 5 is a top view thereof;
FIG. 6 is a bottom view thereof; and,
FIG. 7 is a rear view thereof.

1 Claim, 3 Drawing Sheets



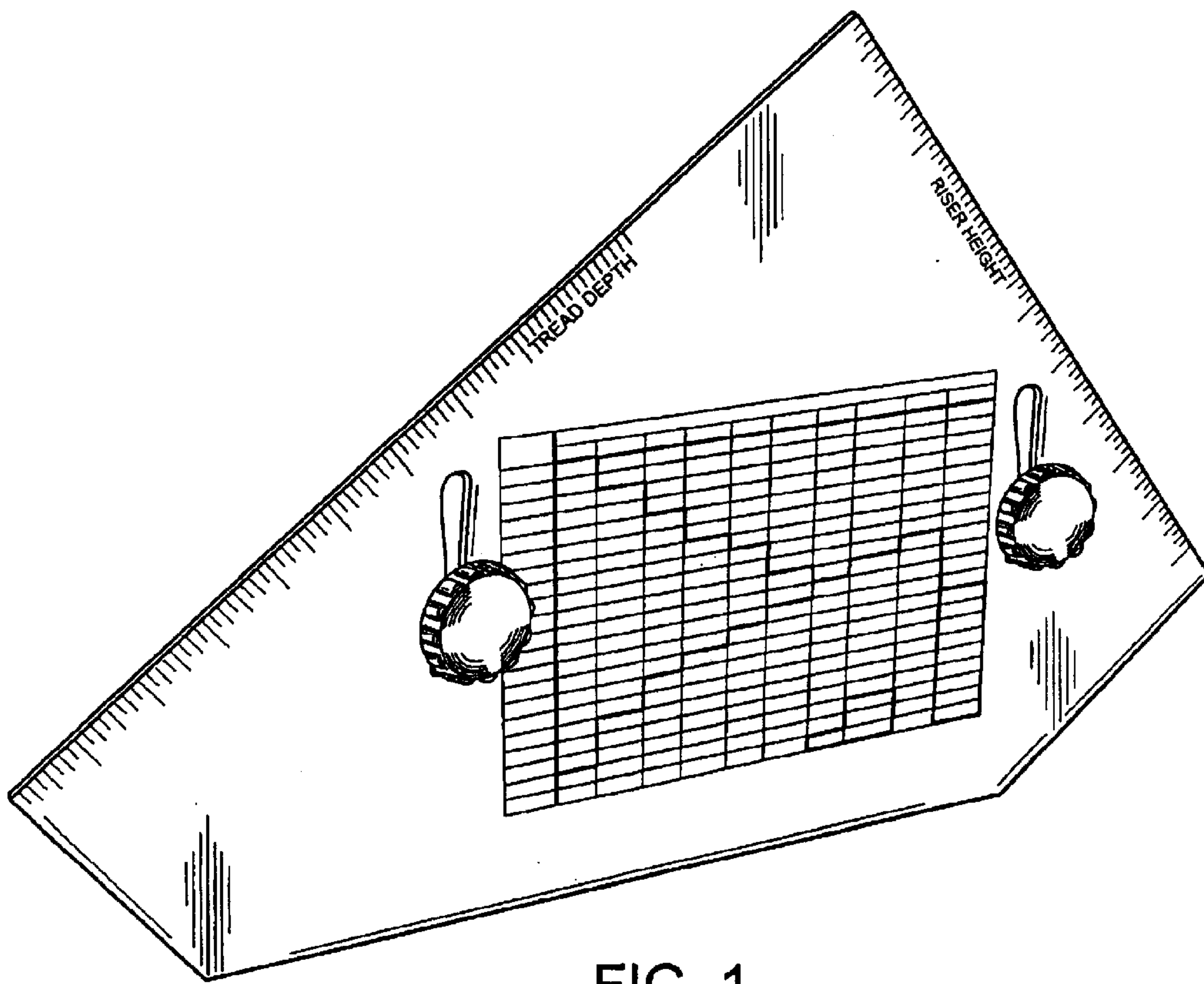


FIG. 1

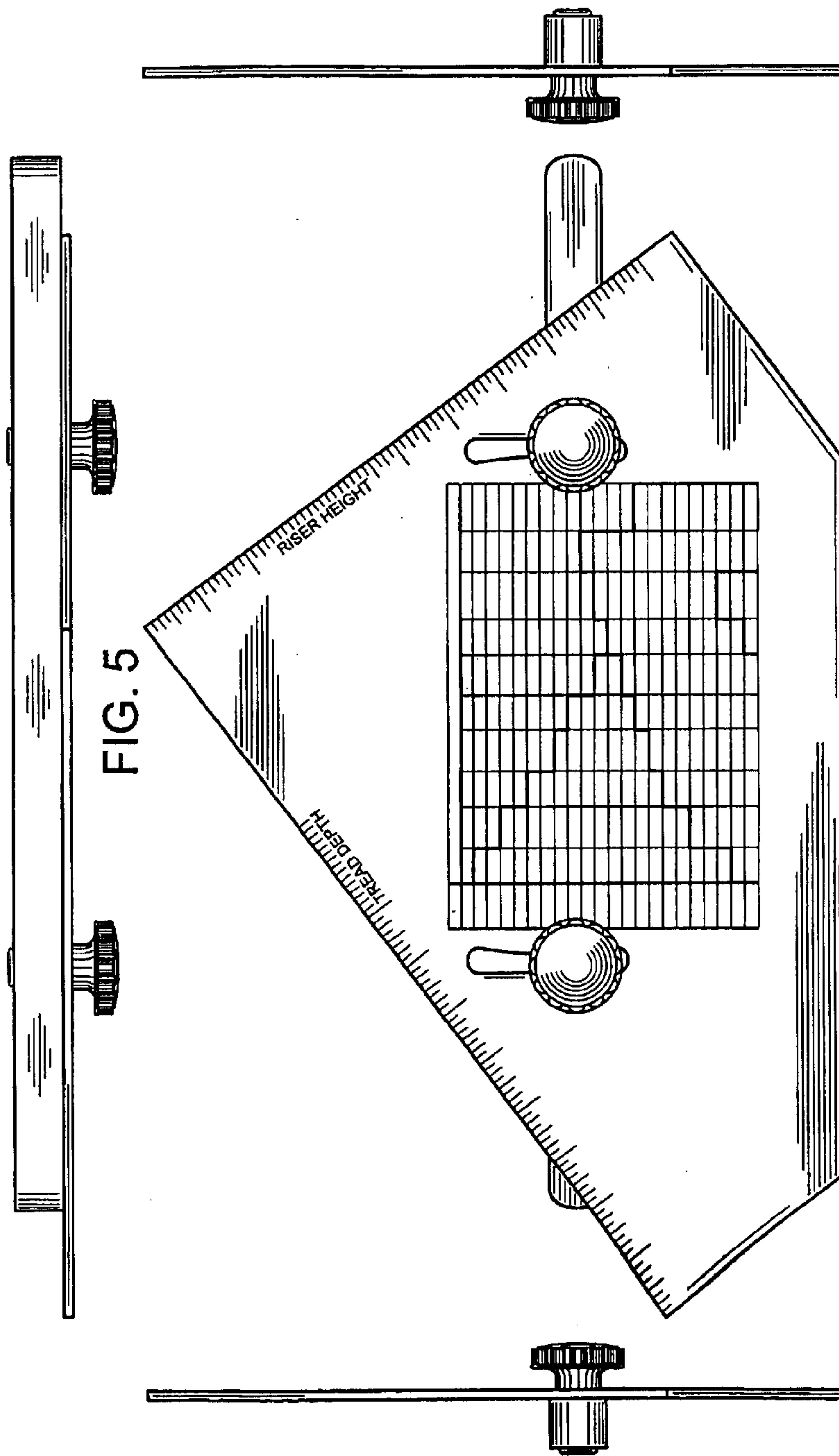


FIG. 5

FIG. 4

FIG. 2

FIG. 6

FIG. 3

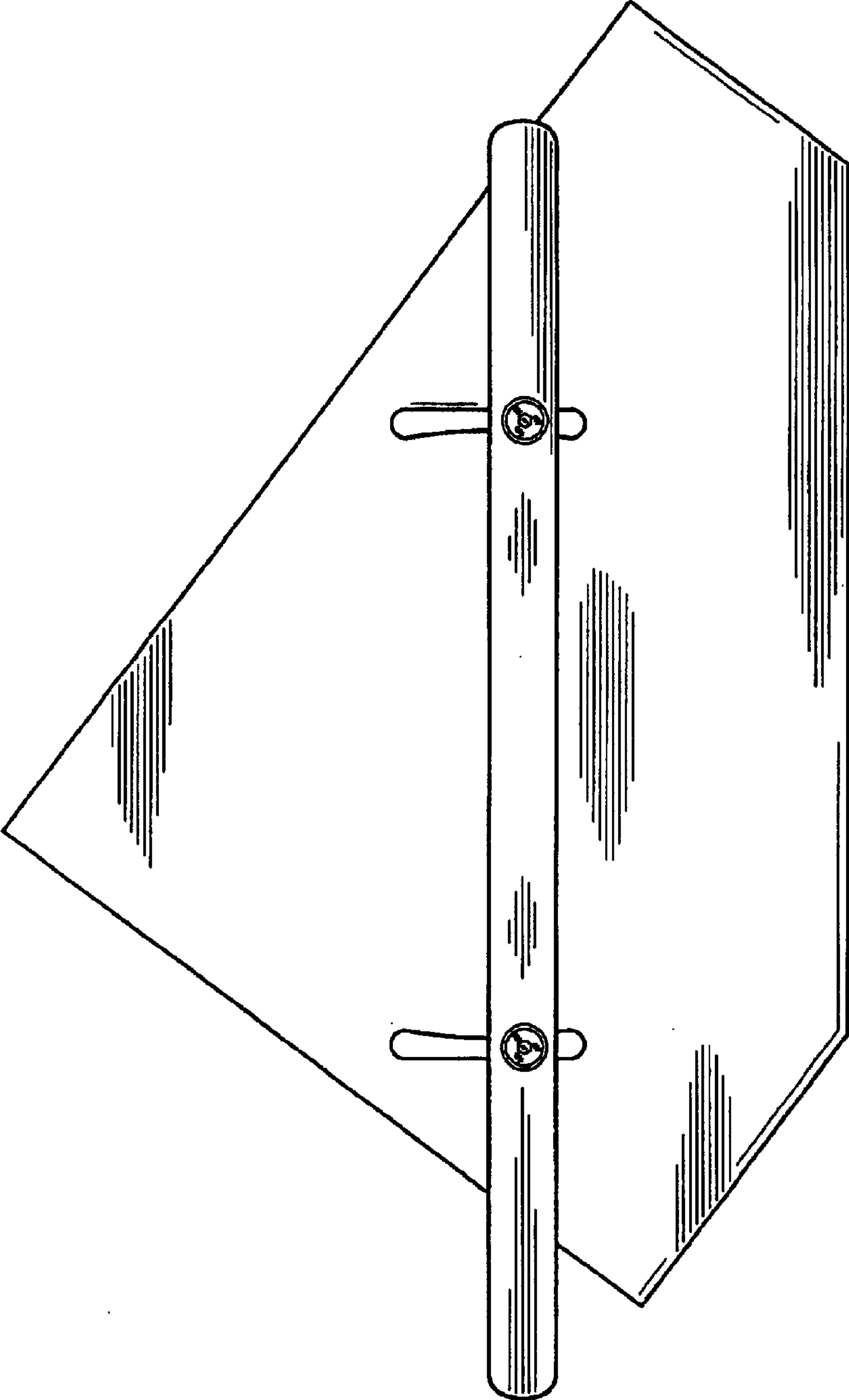


FIG. 7