

US00D503630S

(12) **United States Design Patent**
Bertolotti

(10) **Patent No.:** **US D503,630 S**

(45) **Date of Patent:** **** Apr. 5, 2005**

(54) **CYLINDRICAL THERMOSTATIC HEAD**

(75) **Inventor:** **Umberto Bertolotti, Pevalle (IT)**

(73) **Assignee:** **I.V.A.R.S.R.L., Pevalle (IT)**

(**) **Term:** **14 Years**

(21) **Appl. No.:** **29/201,431**

(22) **Filed:** **Mar. 16, 2004**

(30) **Foreign Application Priority Data**

Dec. 9, 2003 (EP) 112529

(51) **LOC (7) Cl.** **10-04**

(52) **U.S. Cl.** **D10/50**

(58) **Field of Search** D10/49, 50; 236/46 R,
236/47, 49.3, 51, 84, 94; 400/485

(56) **References Cited**

U.S. PATENT DOCUMENTS

- 5,104,038 A * 4/1992 Cruces 236/93 R
- 5,834,741 A * 11/1998 Tseng 392/498
- 6,584,280 B1 * 6/2003 Wang 392/498
- 6,658,205 B1 * 12/2003 Wang 392/498

* cited by examiner

Primary Examiner—Antoine D. Davis

(74) *Attorney, Agent, or Firm*—James B. Conte; Barnes & Thornburg

(57) **CLAIM**

The ornamental design for a cylindrical thermostatic head, as shown and described.

DESCRIPTION

FIG. 1 is a top, side perspective view of a cylindrical thermostatic head;

FIG. 2 is a first sided plan view of the cylindrical thermostatic head;

FIG. 3 is a second sided plan view of the cylindrical thermostatic head;

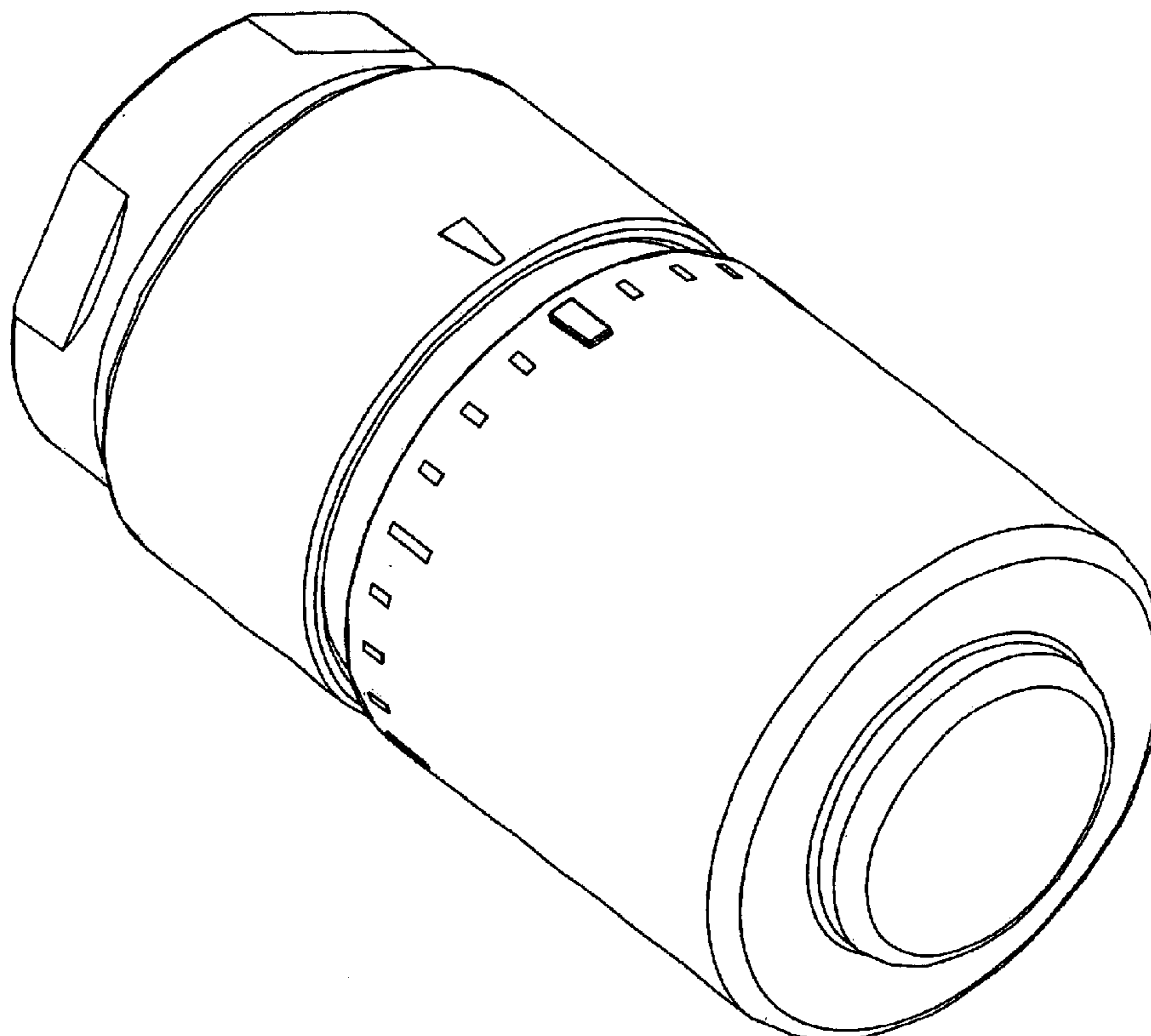
FIG. 4 is a third sided plan view of the cylindrical thermostatic head;

FIG. 5 is a fourth sided plan view of the cylindrical thermostatic head;

FIG. 6 is a top plan view of the cylindrical thermostatic head; and,

FIG. 7 is a bottom plan view of the cylindrical thermostatic head.

1 Claim, 7 Drawing Sheets



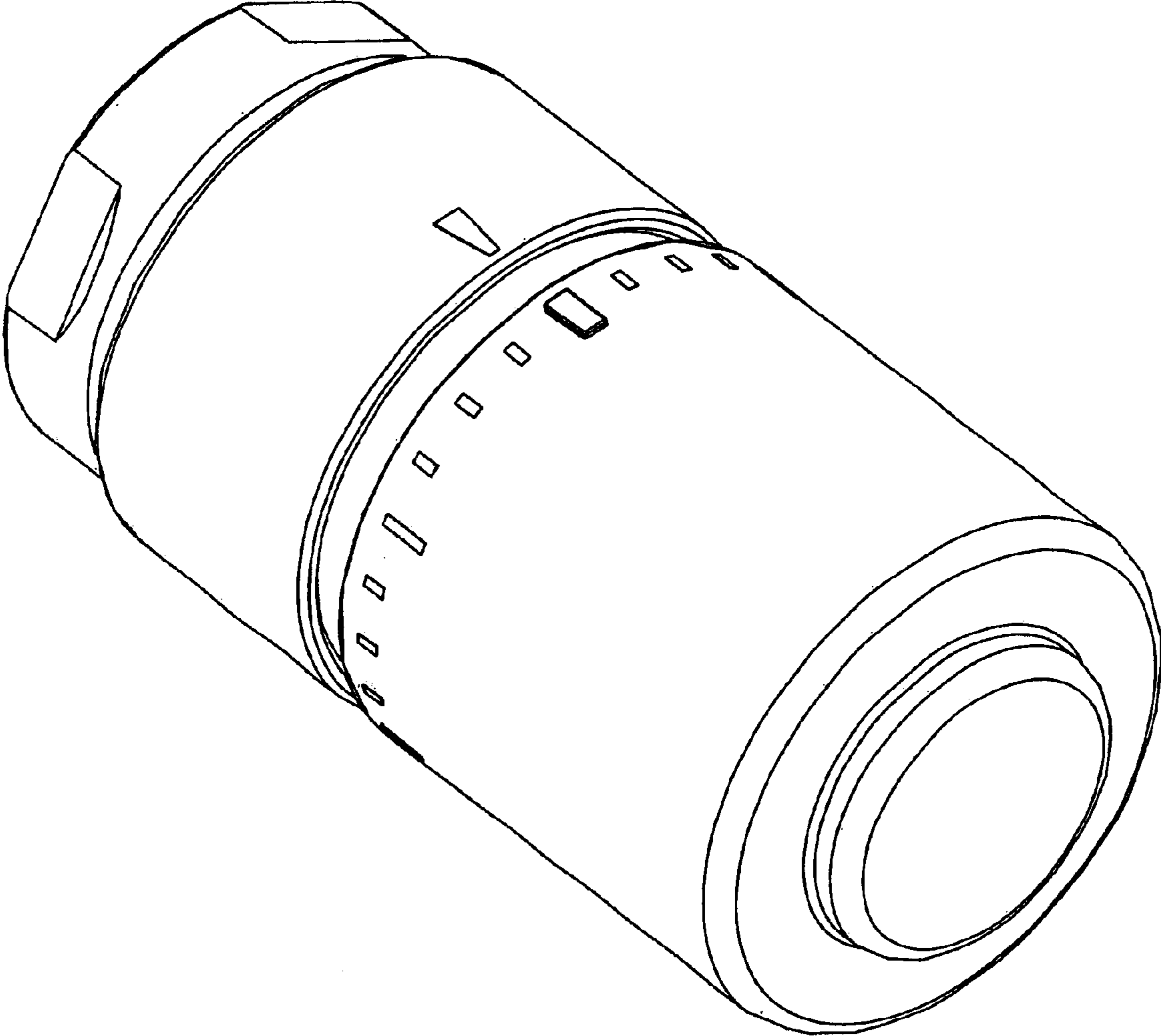


FIGURE 1

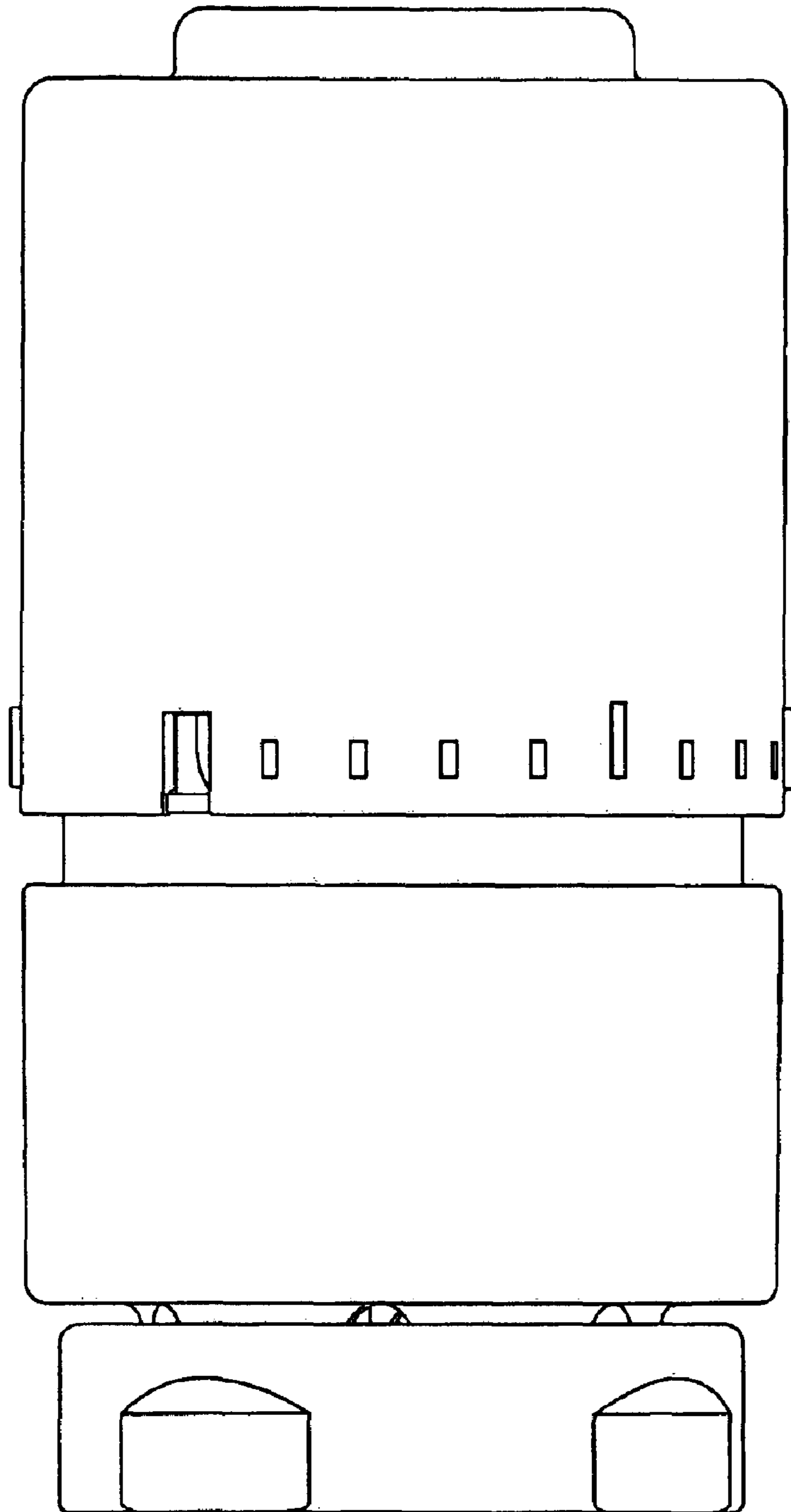


FIGURE 2

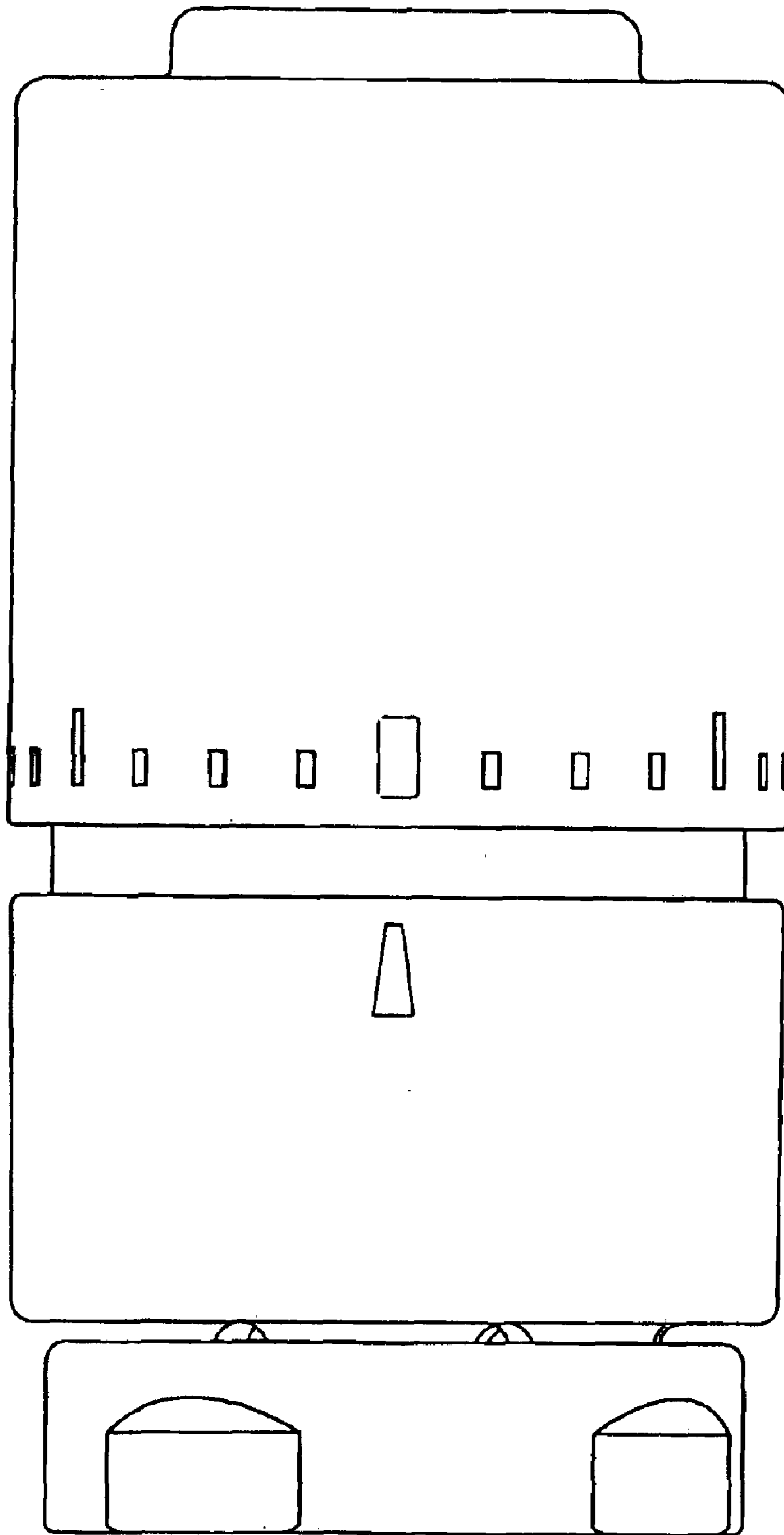


FIGURE 3

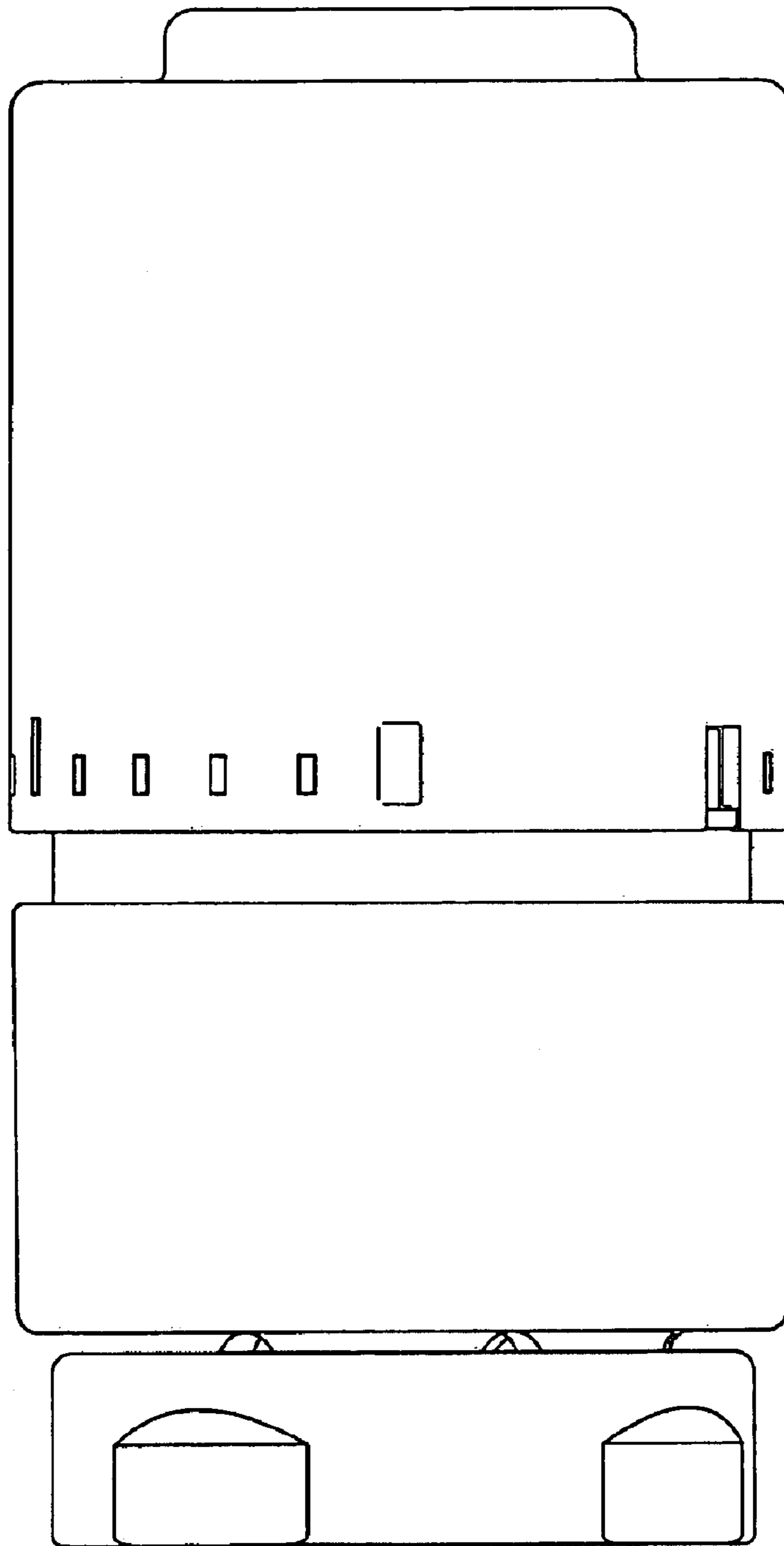


FIGURE 4

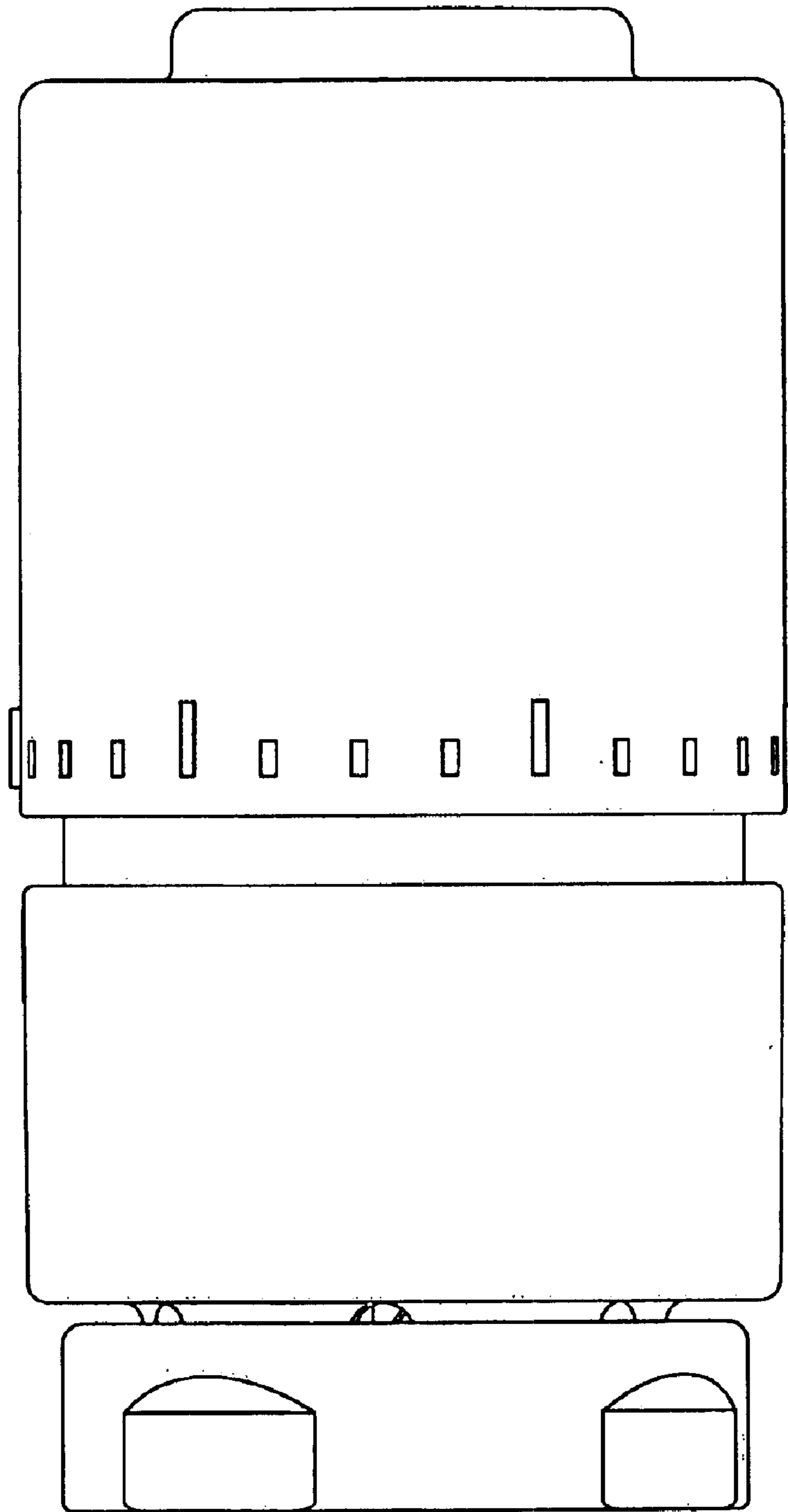


FIGURE 5

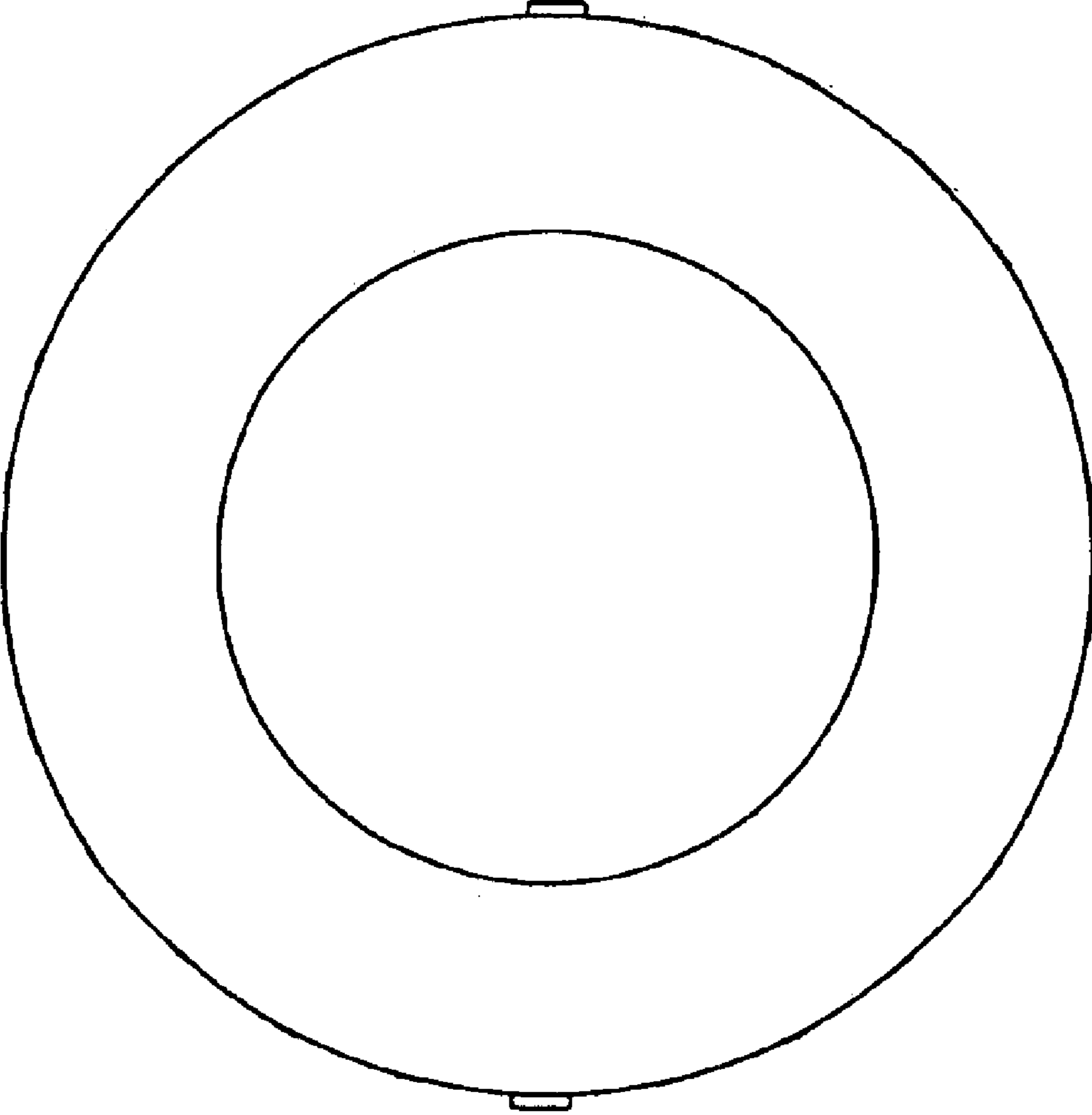


FIGURE 6

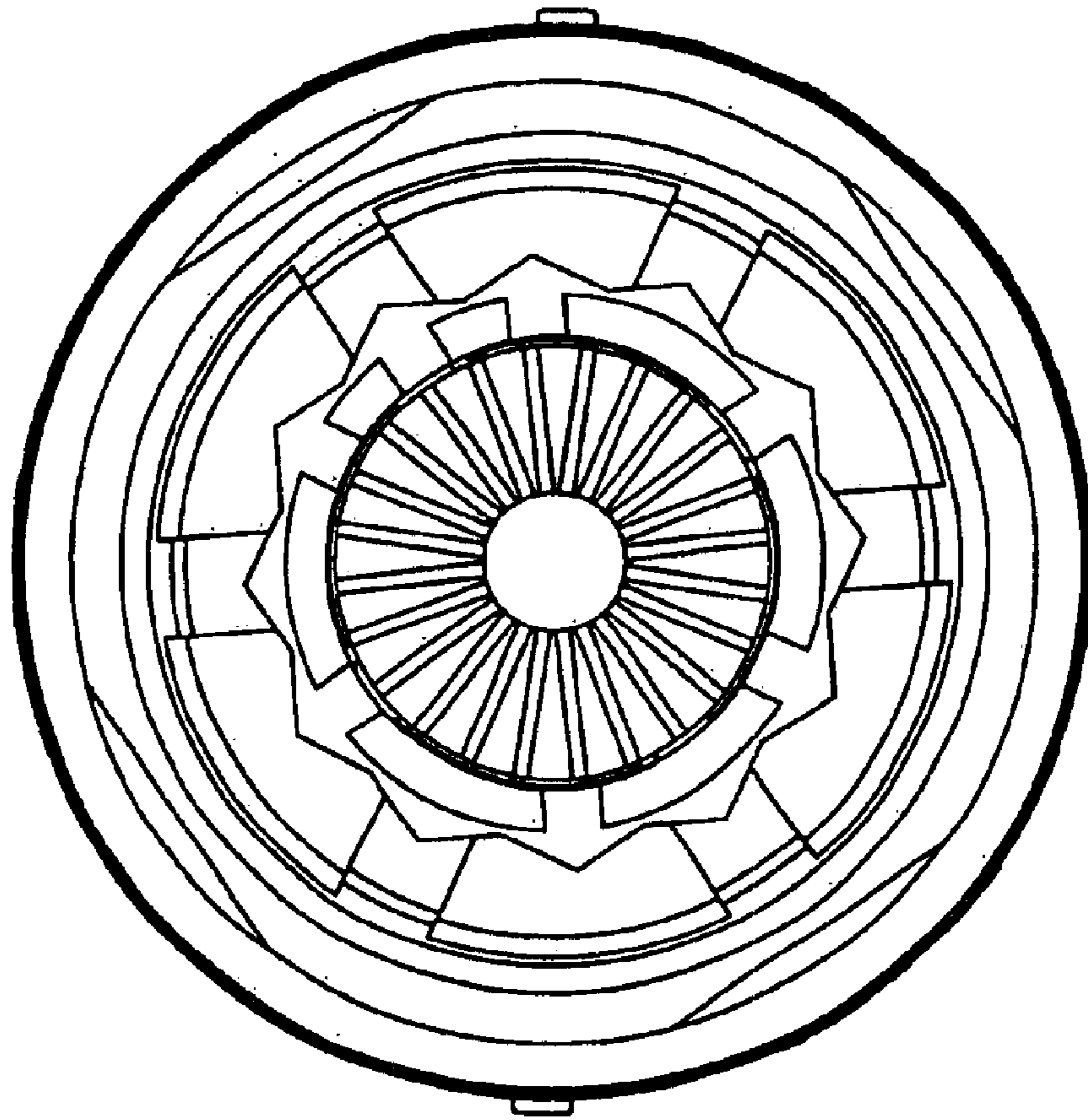


FIGURE 7