



US00D503629S

(12) **United States Design Patent**
Rabassa

(10) **Patent No.:** **US D503,629 S**
(45) **Date of Patent:** **** Apr. 5, 2005**

(54) **WATCH**

D417,628 S * 12/1999 Bunz D10/39
D494,873 S * 8/2004 Junod D10/32

(75) **Inventor:** **Serge Rabassa, Geneva (CH)**

* cited by examiner

(73) **Assignee:** **Cartier International B.V., Amsterdam (NL)**

Primary Examiner—Nelson C. Holtje
(74) *Attorney, Agent, or Firm*—Oliff & Berridge, PLC

(**) **Term:** **14 Years**

(57) **CLAIM**

(21) **Appl. No.:** **29/186,002**

The ornamental design for a watch, as shown and described.

(22) **Filed:** **Jul. 9, 2003**

DESCRIPTION

(30) **Foreign Application Priority Data**

Jan. 9, 2003 (WO) DM 062910

(51) **LOC (7) Cl.** **10-02**

(52) **U.S. Cl.** **D10/39**

(58) **Field of Search** D10/1-40, 122-132;
368/276-277, 281-282, 285; D11/3-25;
63/1.1, 3, 5, 11; 224/164, 168, 178

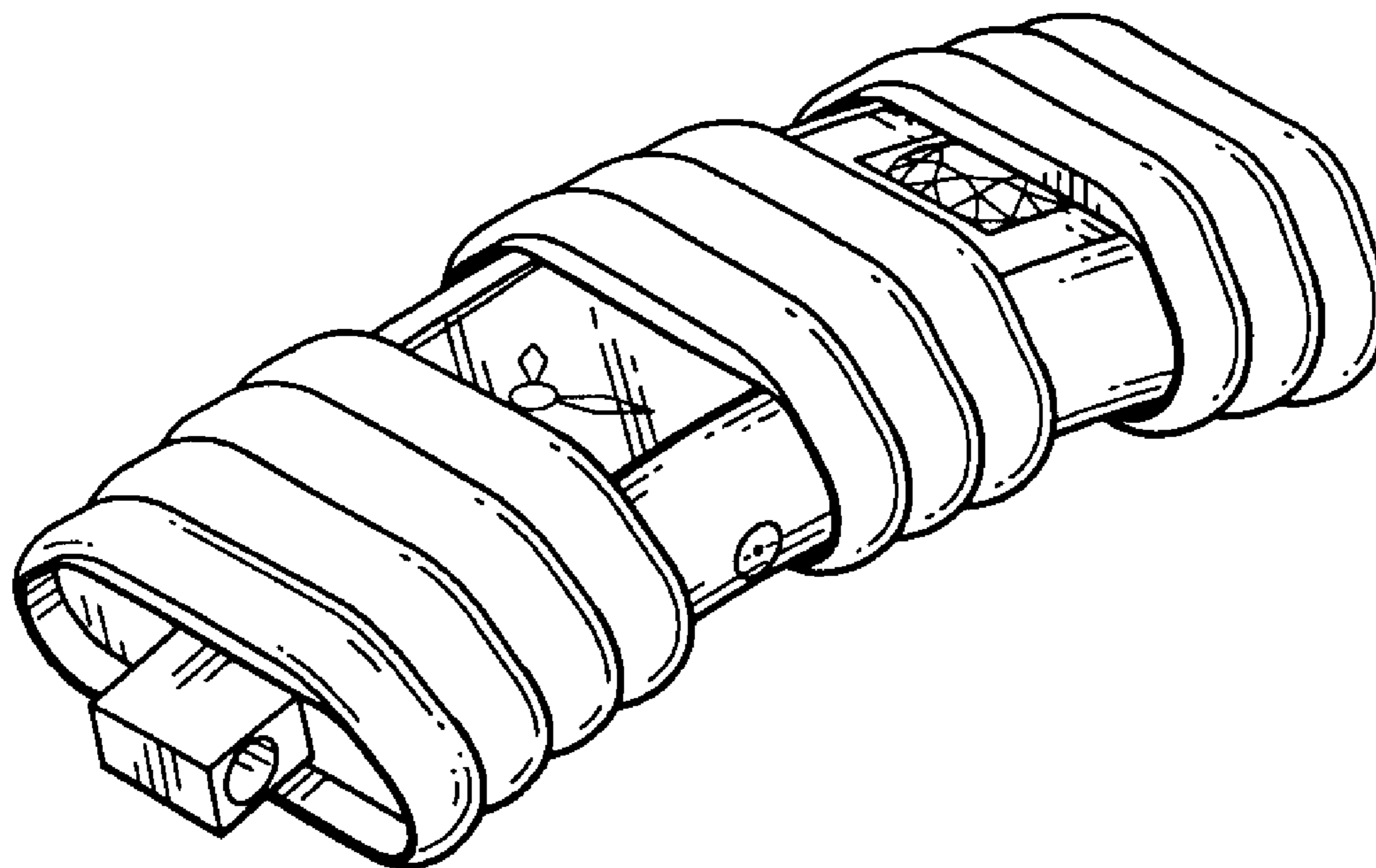
FIG. 1 is a front view of a watch;
FIG. 2 is a rear view thereof;
FIG. 3 is an exploded perspective view thereof showing a body of the watch separated from a plurality of movable rings that are mountable on the body of the watch;
FIG. 4 is a perspective view of the watch of FIG. 1;
FIGS. 5-9 are perspective views similar to FIG. 1 with the rings in different positions on the body of the watch;
FIG. 10 is a right-side view of the watch of FIG. 1;
FIG. 11 is a left-side view of the watch of FIG. 1;
FIG. 12 is an end view of the watch of FIG. 1; and
FIG. 13 is an opposite end view of the watch of FIG. 1.

(56) **References Cited**

U.S. PATENT DOCUMENTS

D158,918 S * 6/1950 Winn D10/32

1 Claim, 3 Drawing Sheets



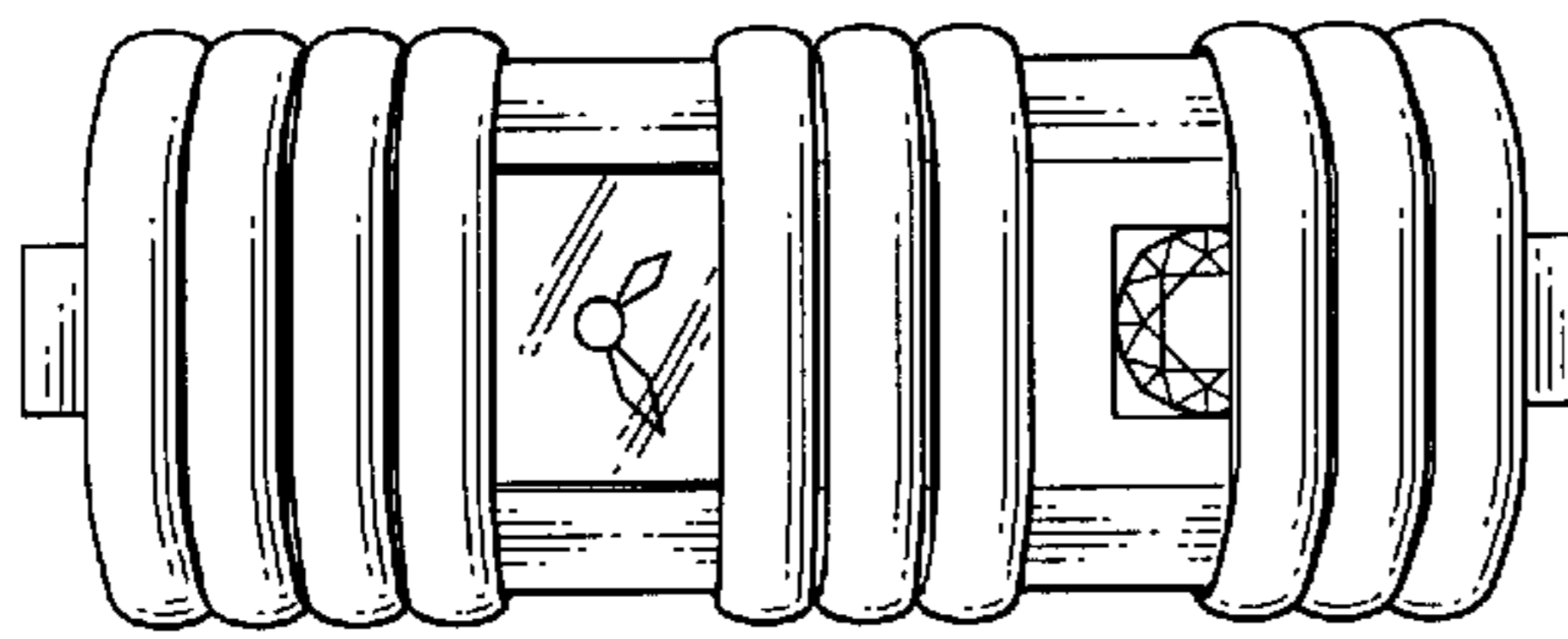


Fig. 1

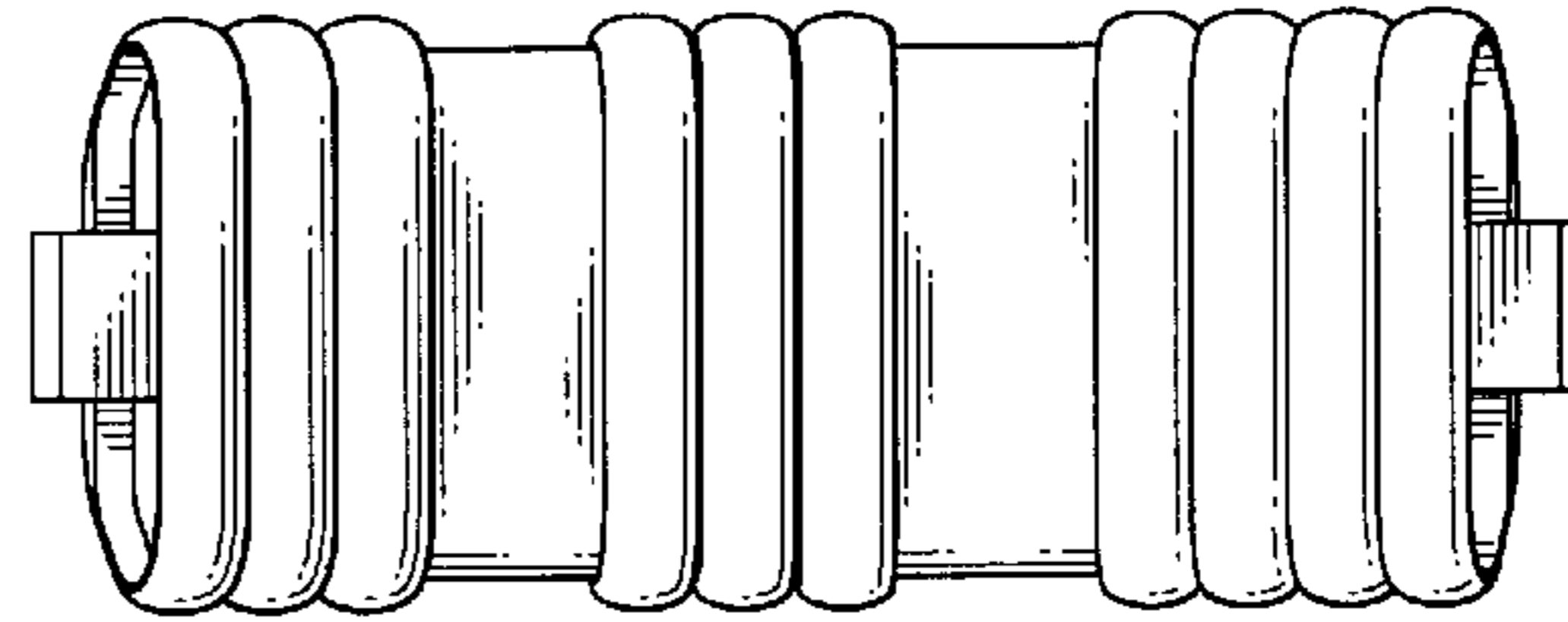


Fig. 2

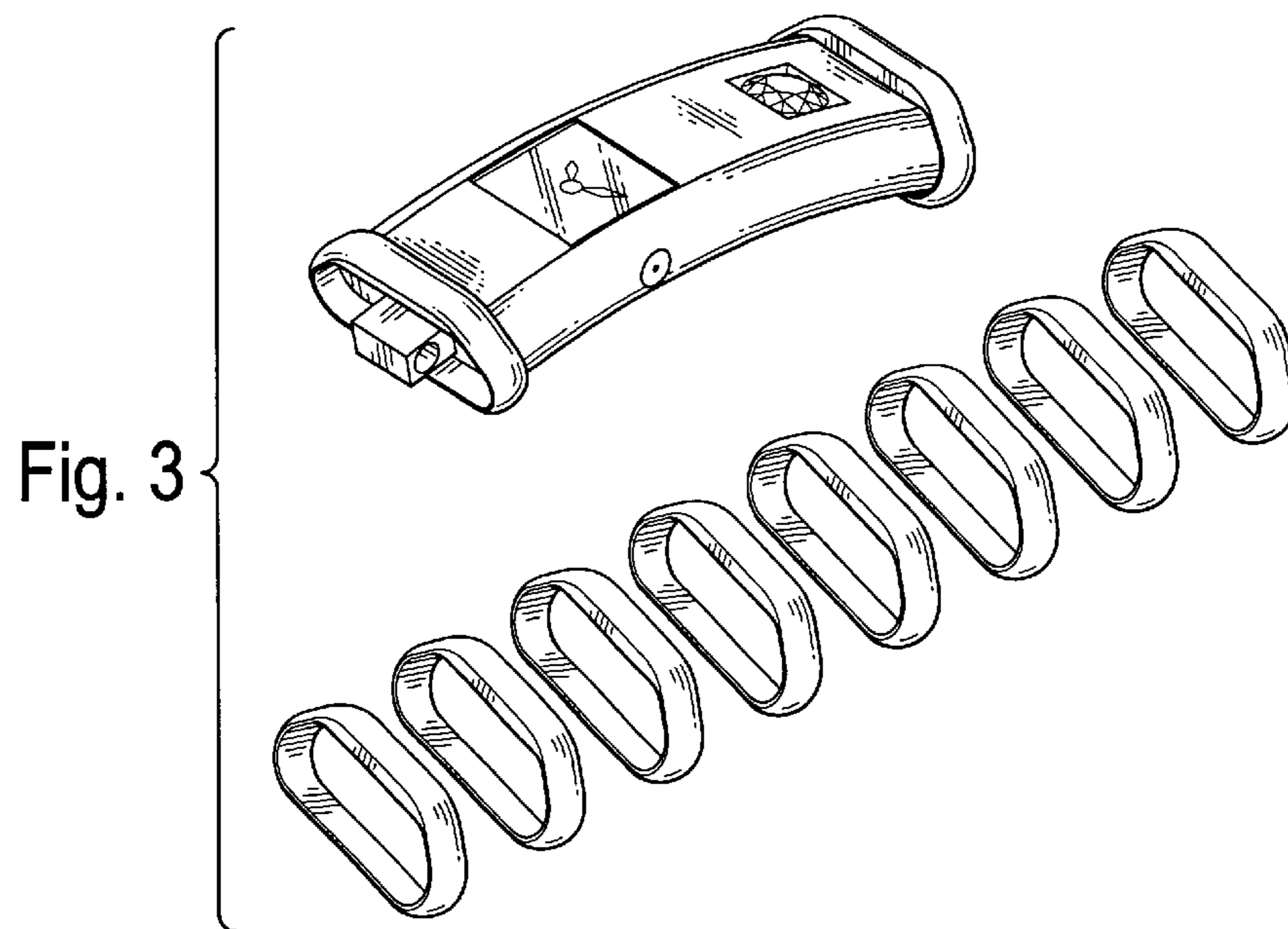


Fig. 3

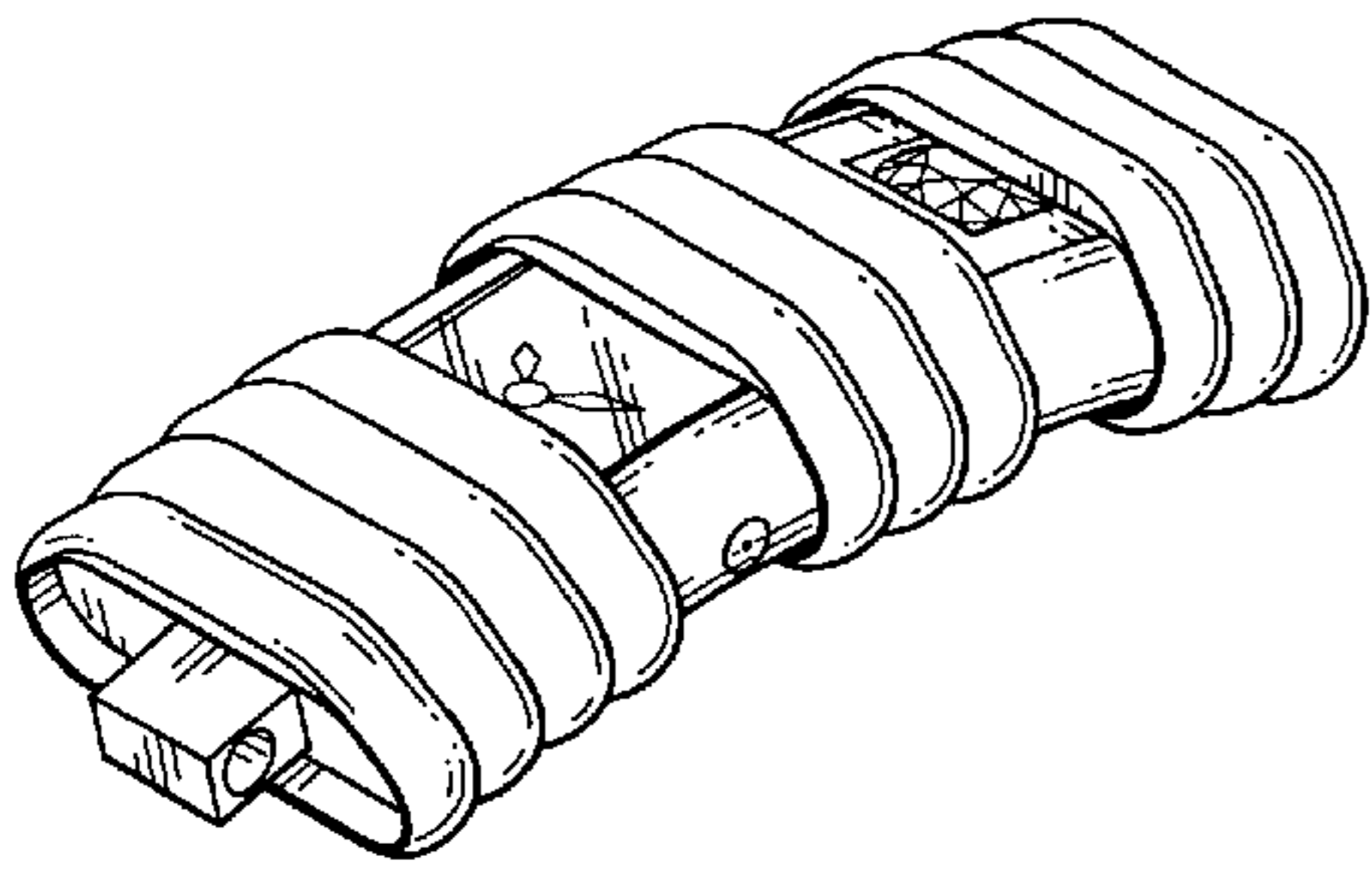


Fig. 4

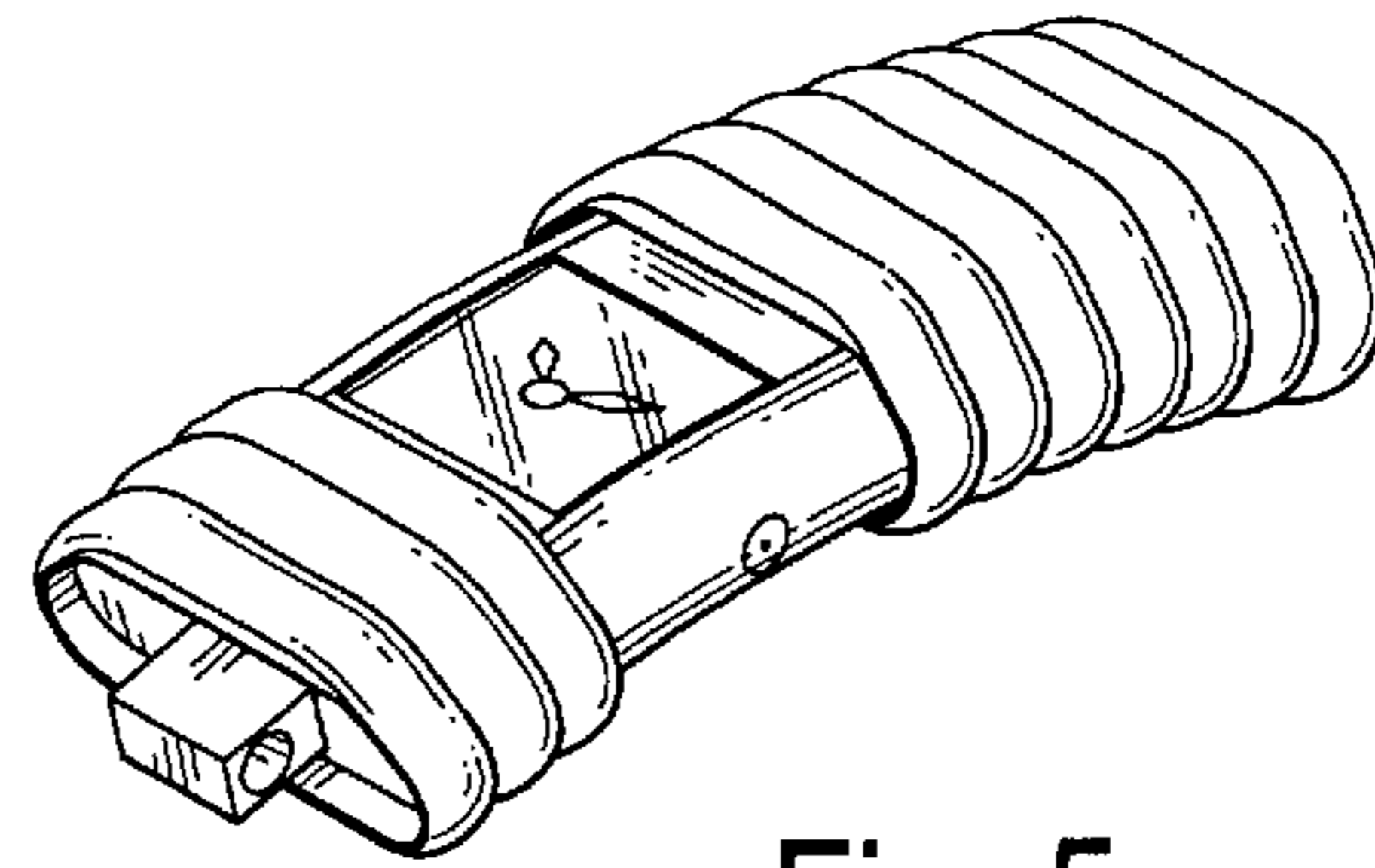


Fig. 5

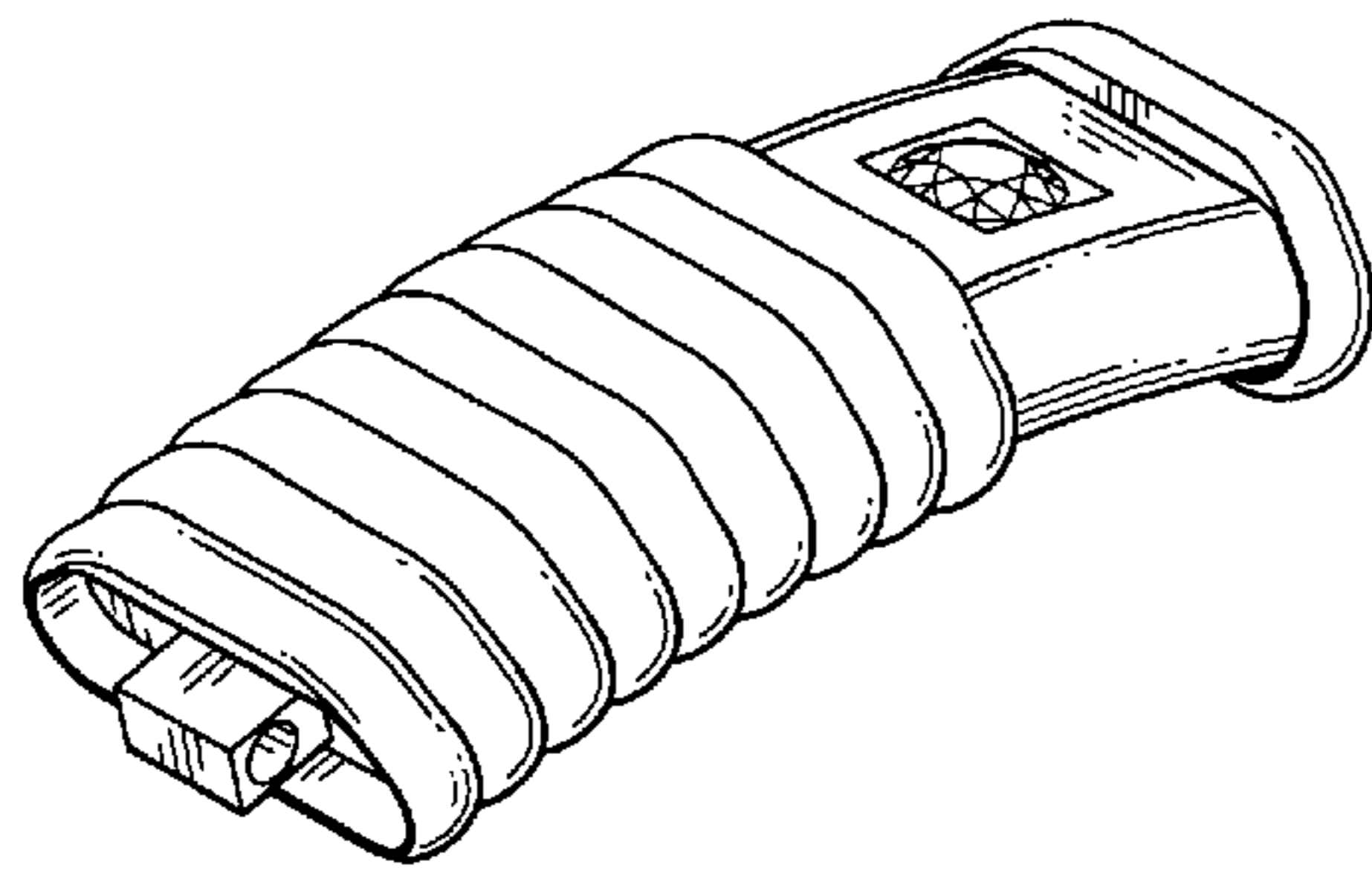


Fig. 6

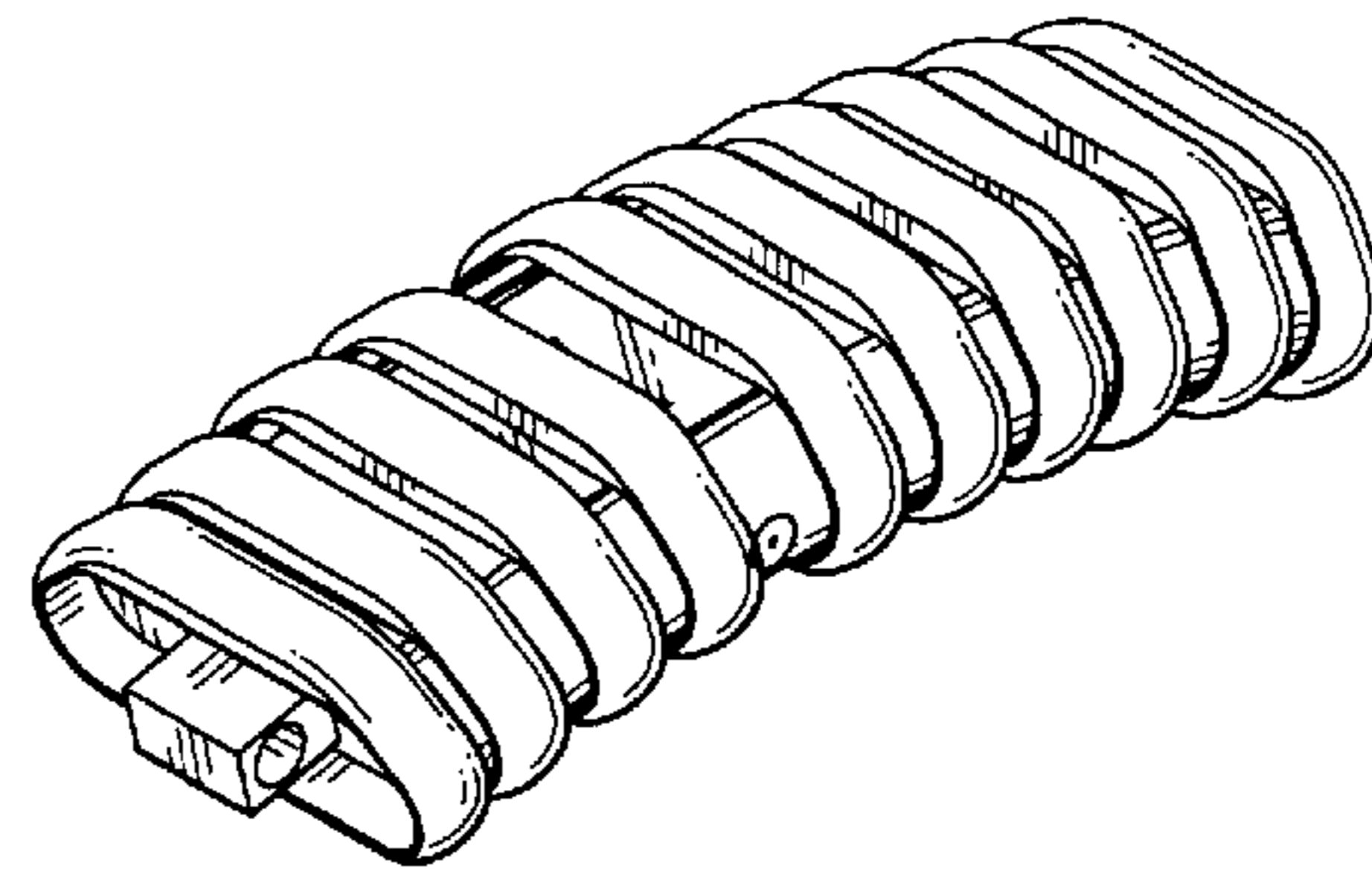


Fig. 7

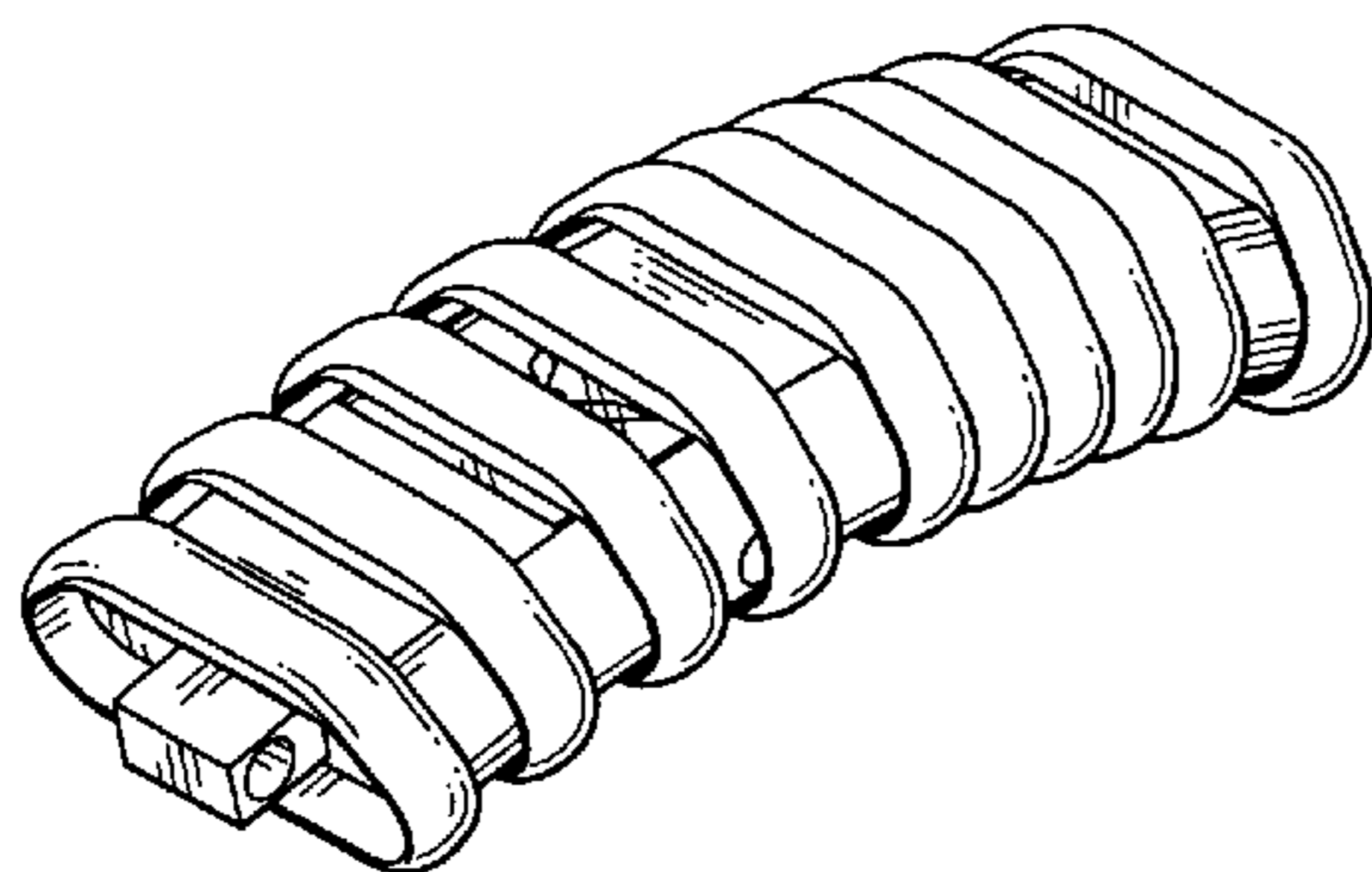


Fig. 8

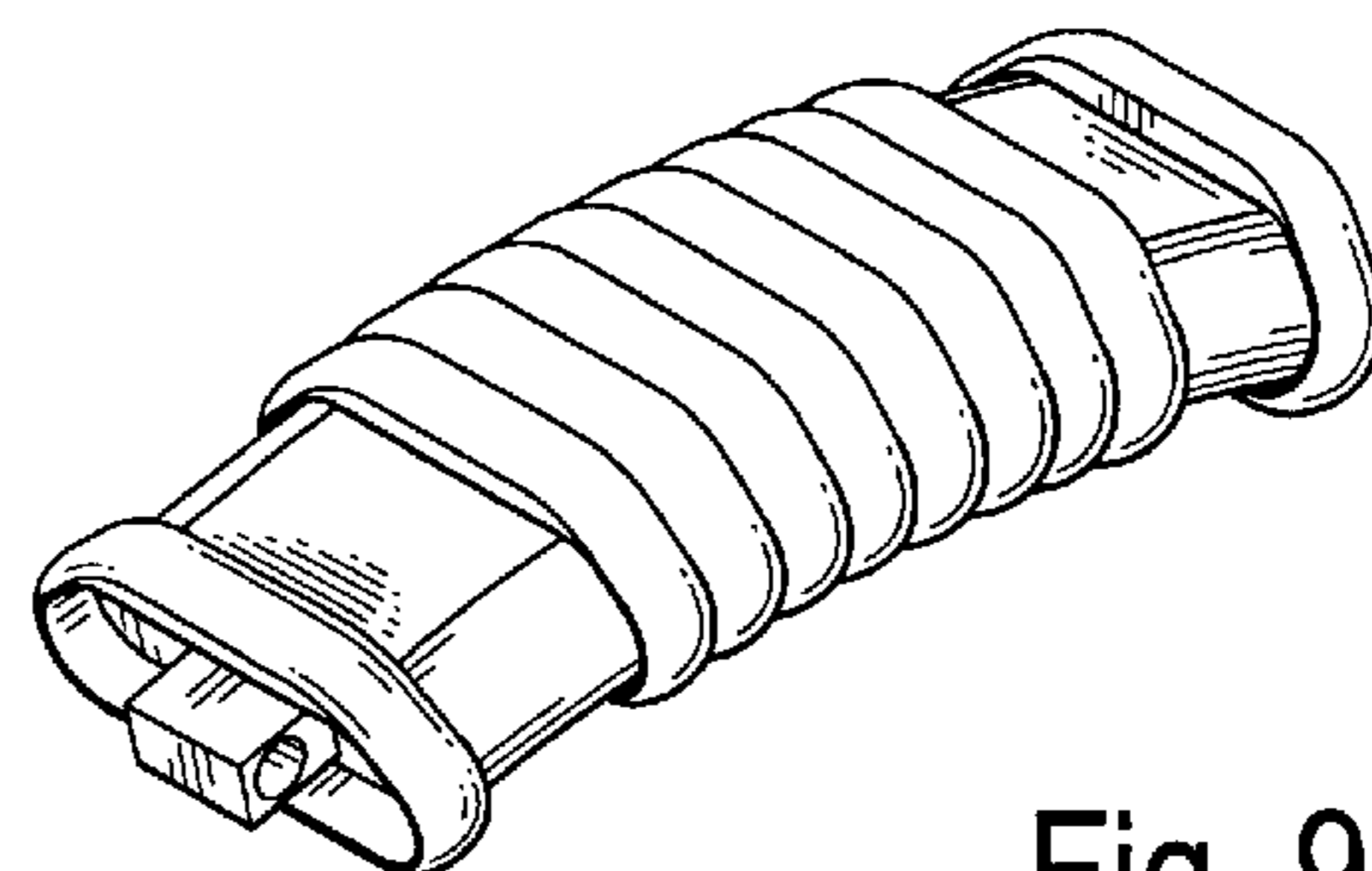


Fig. 9

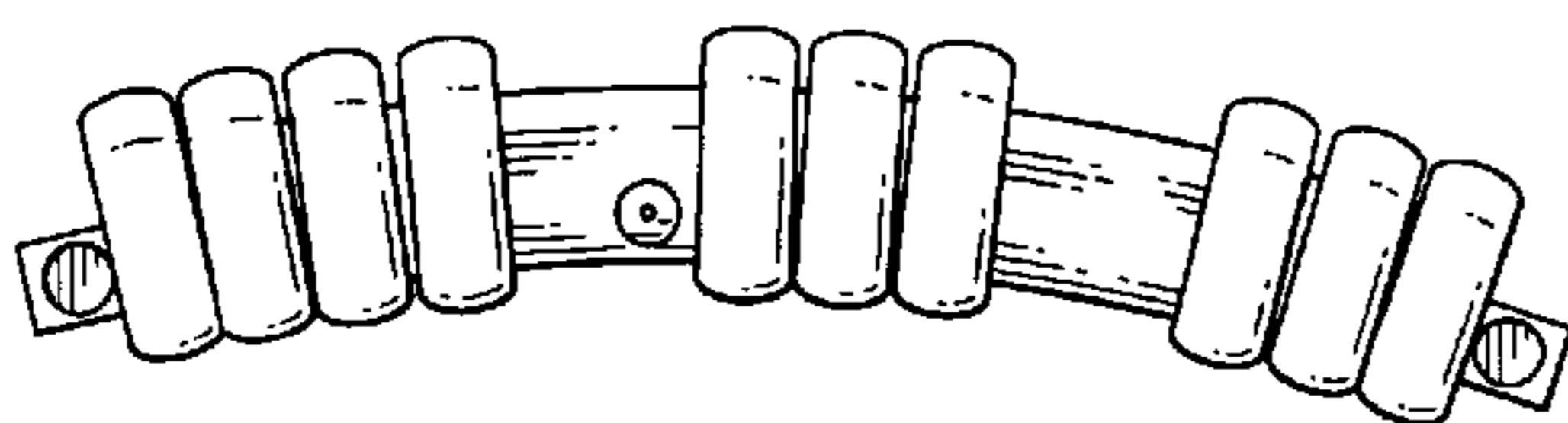


Fig. 10

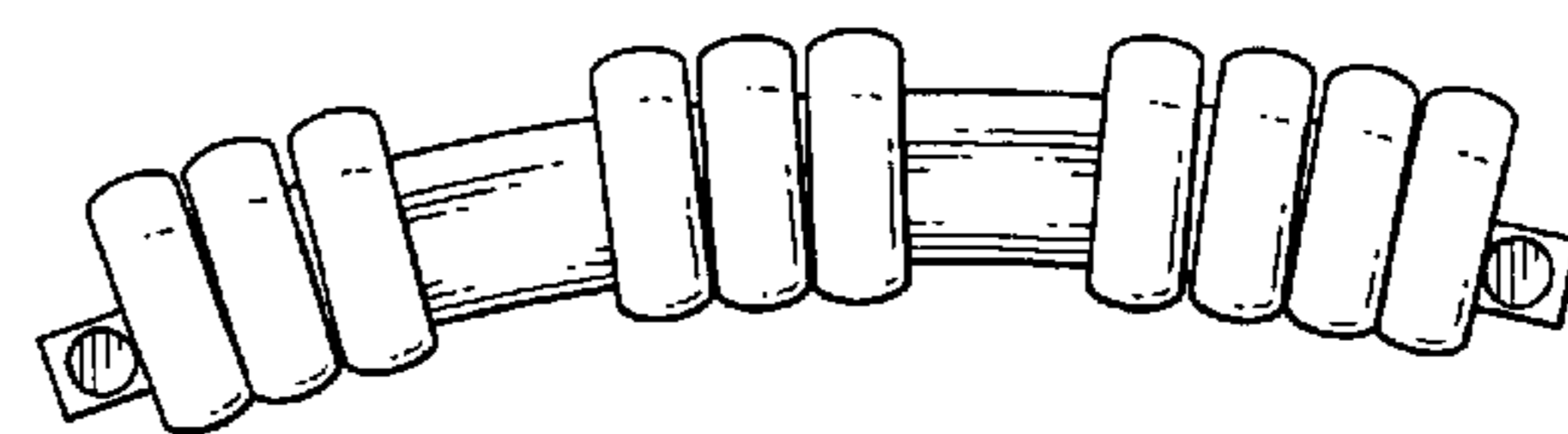


Fig. 11

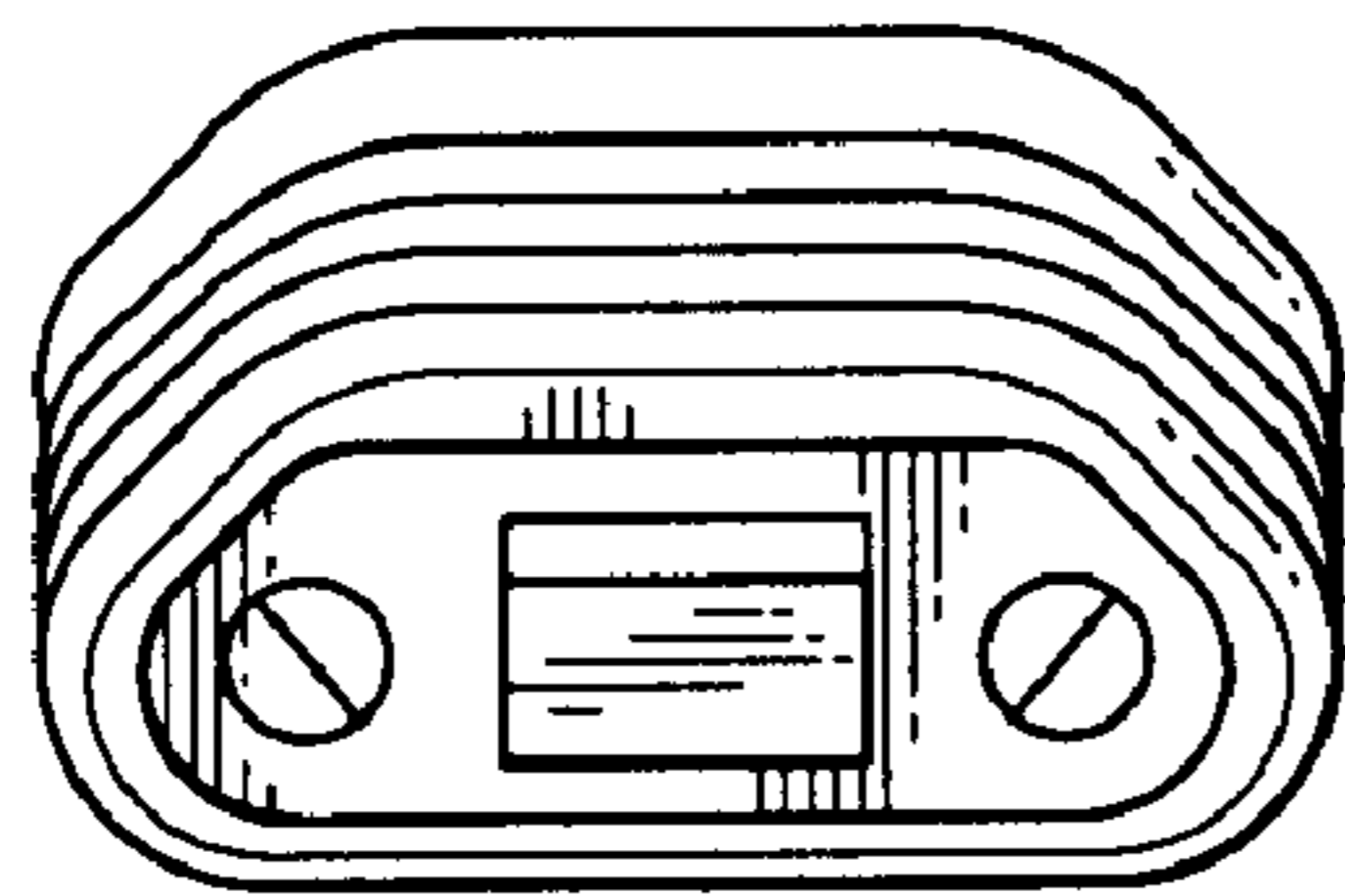


Fig. 12

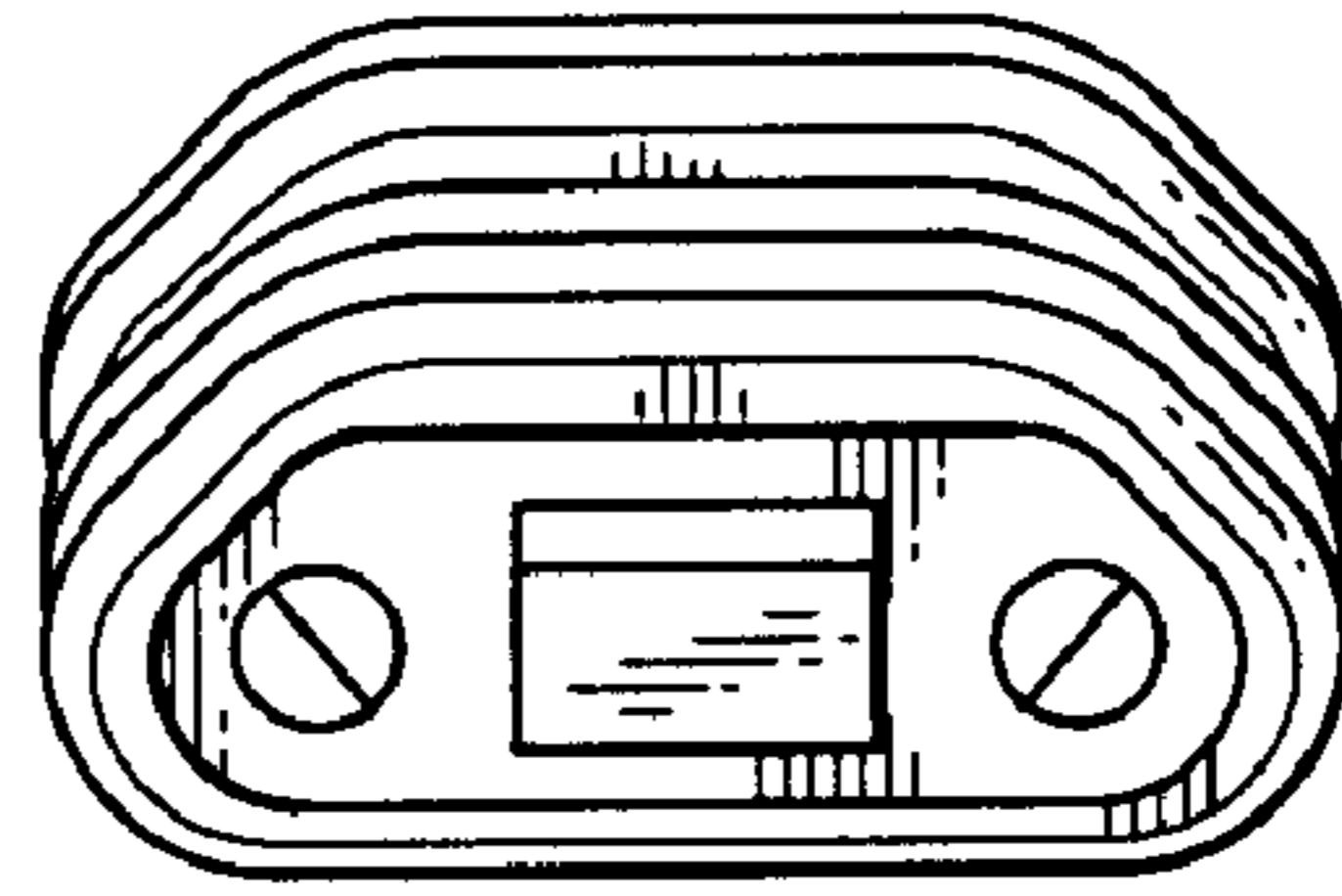


Fig. 13