

US00D503624S

(12) **United States Design Patent**
Charriez

(10) **Patent No.:** **US D503,624 S**

(45) **Date of Patent:** **** Apr. 5, 2005**

(54) **CONTAINER**

(75) **Inventor:** **Roland Charriez**, Mohegan Lake, NY (US)

(73) **Assignee:** **Marigold Foods, LLC**, Minneapolis, MN (US)

(**) **Term:** **14 Years**

(21) **Appl. No.:** **29/204,185**

(22) **Filed:** **Apr. 26, 2004**

(51) **LOC (7) Cl.** **09-01**

(52) **U.S. Cl.** **D9/528**

(58) **Field of Search** D9/528, 516, 520, D9/526-527, 531, 533, 542, 569, 575; 215/382-385, 396, 398; 220/771

(56) **References Cited**

U.S. PATENT DOCUMENTS

D212,319 S	*	10/1968	Hills	D9/528
D226,551 S	*	3/1973	Weckman	D9/542
D231,083 S	*	4/1974	Campbell	D9/542
D232,809 S	*	9/1974	Pardo	D9/542
D235,092 S	*	5/1975	Leary	D9/542
D408,739 S	*	4/1999	Satterfield et al.	D9/520
D462,616 S	*	9/2002	Scheida	D9/528
D472,151 S	*	3/2003	Warren et al.	D9/528
D474,113 S		5/2003	Hansen		
D477,228 S	*	7/2003	Hyman et al.	D9/528
2004/0000568 A1		1/2004	Hansen		

2004/0164048 A1 * 8/2004 Yourist 215/398

* cited by examiner

Primary Examiner—Stella Reid

Assistant Examiner—Lynne M Brady

(74) *Attorney, Agent, or Firm*—Natalie D. Kadievitch; Fredrikson & Byron, P.A.

(57) **CLAIM**

I claim the ornamental design for a container, as shown and described.

DESCRIPTION

FIG. 1 is a perspective view of a container showing my new design;

FIG. 2 is a side elevational view thereof, the other side elevational view being a mirror image of that shown;

FIG. 3 is a rear elevational view thereof;

FIG. 4 is a front elevational view thereof;

FIG. 5 is a top plan view thereof;

FIG. 6 is a bottom plan view thereof;

FIG. 7 is a perspective view of an alternative embodiment of a container showing my new design;

FIG. 8 is a side elevational view thereof, the other side elevational view being a mirror image of that shown;

FIG. 9 is a rear elevational view thereof;

FIG. 10 is a front elevational view thereof;

FIG. 11 is a top plan view thereof; and,

FIG. 12 is a bottom plan view thereof.

1 Claim, 12 Drawing Sheets

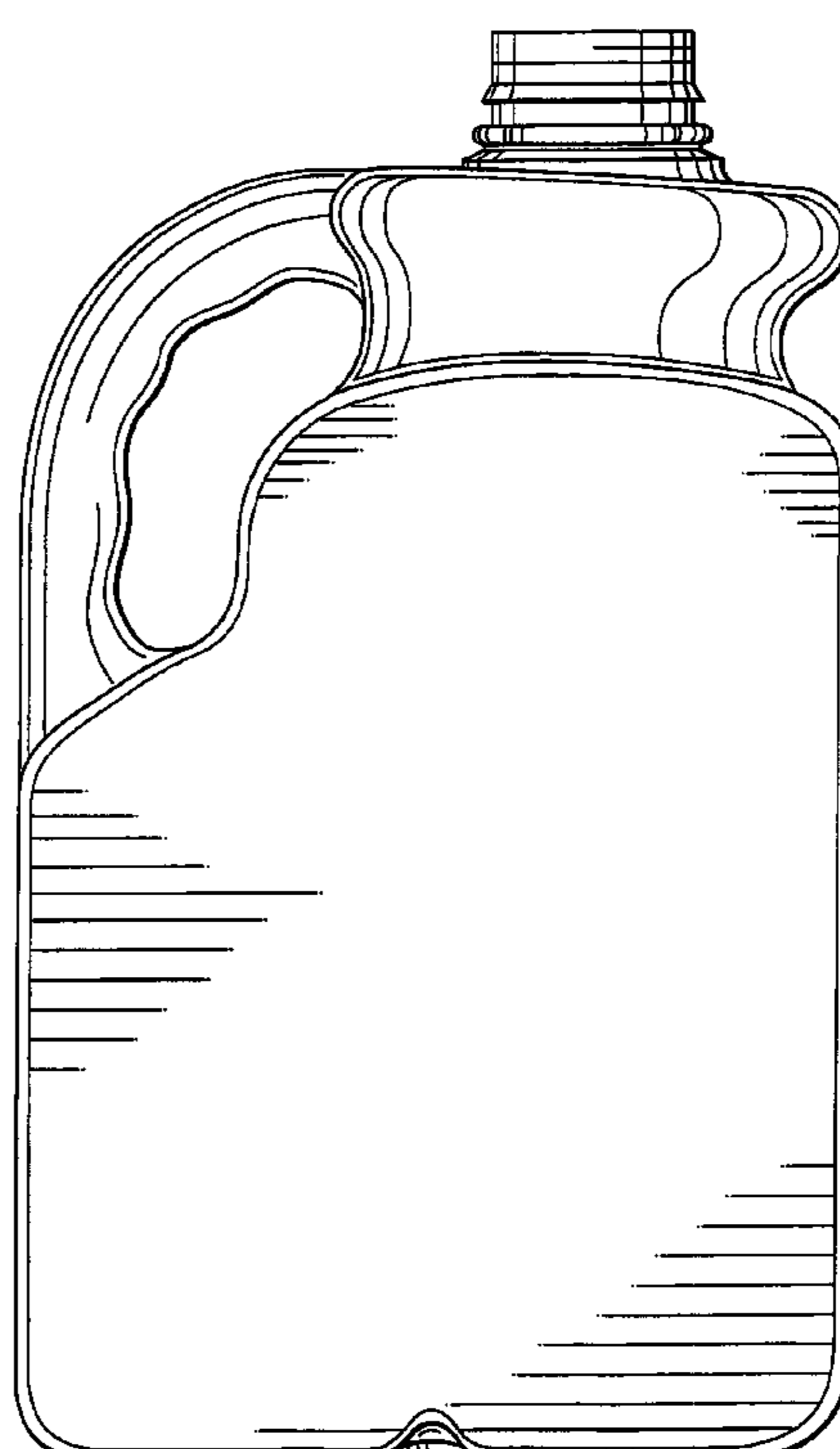
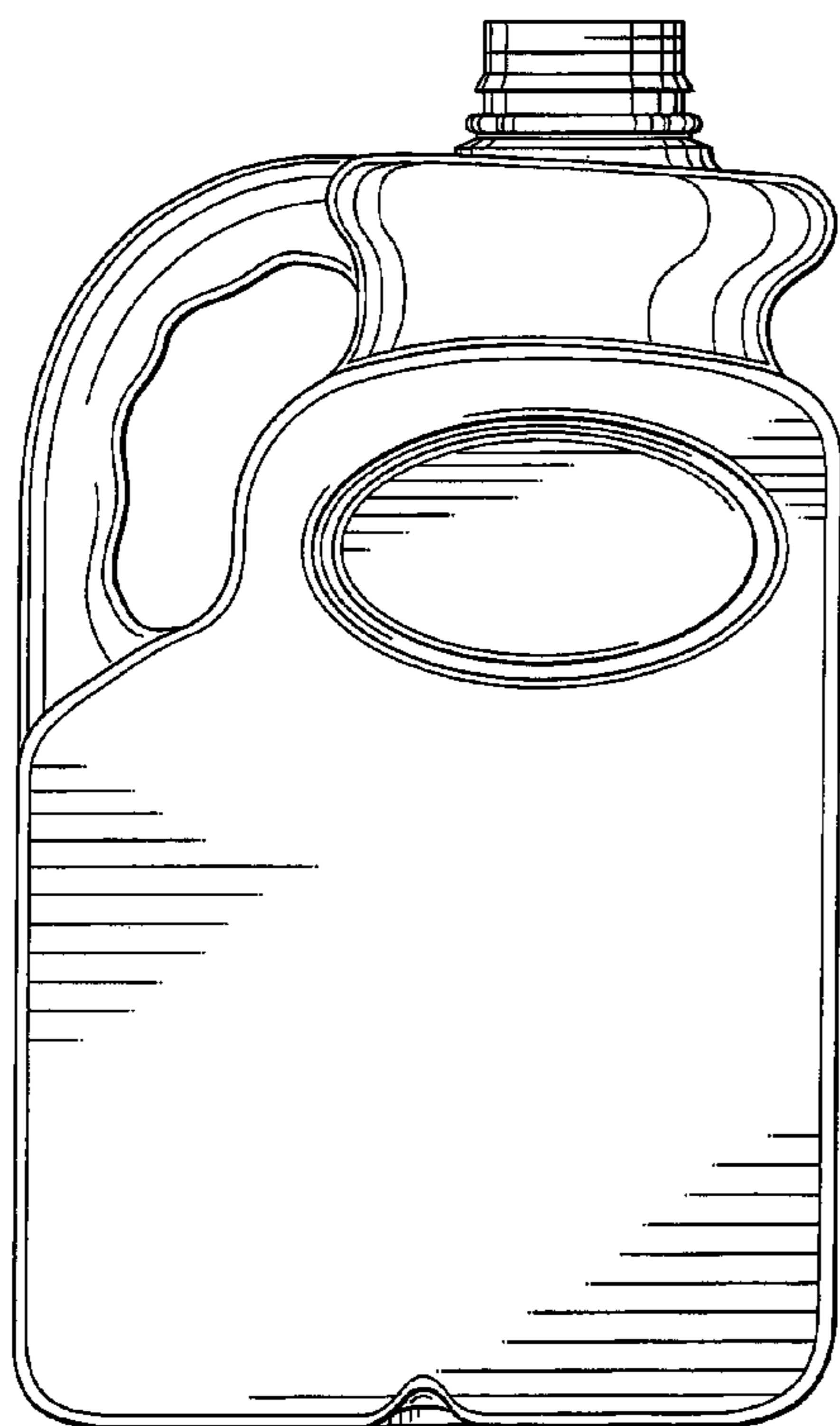


Fig. 1

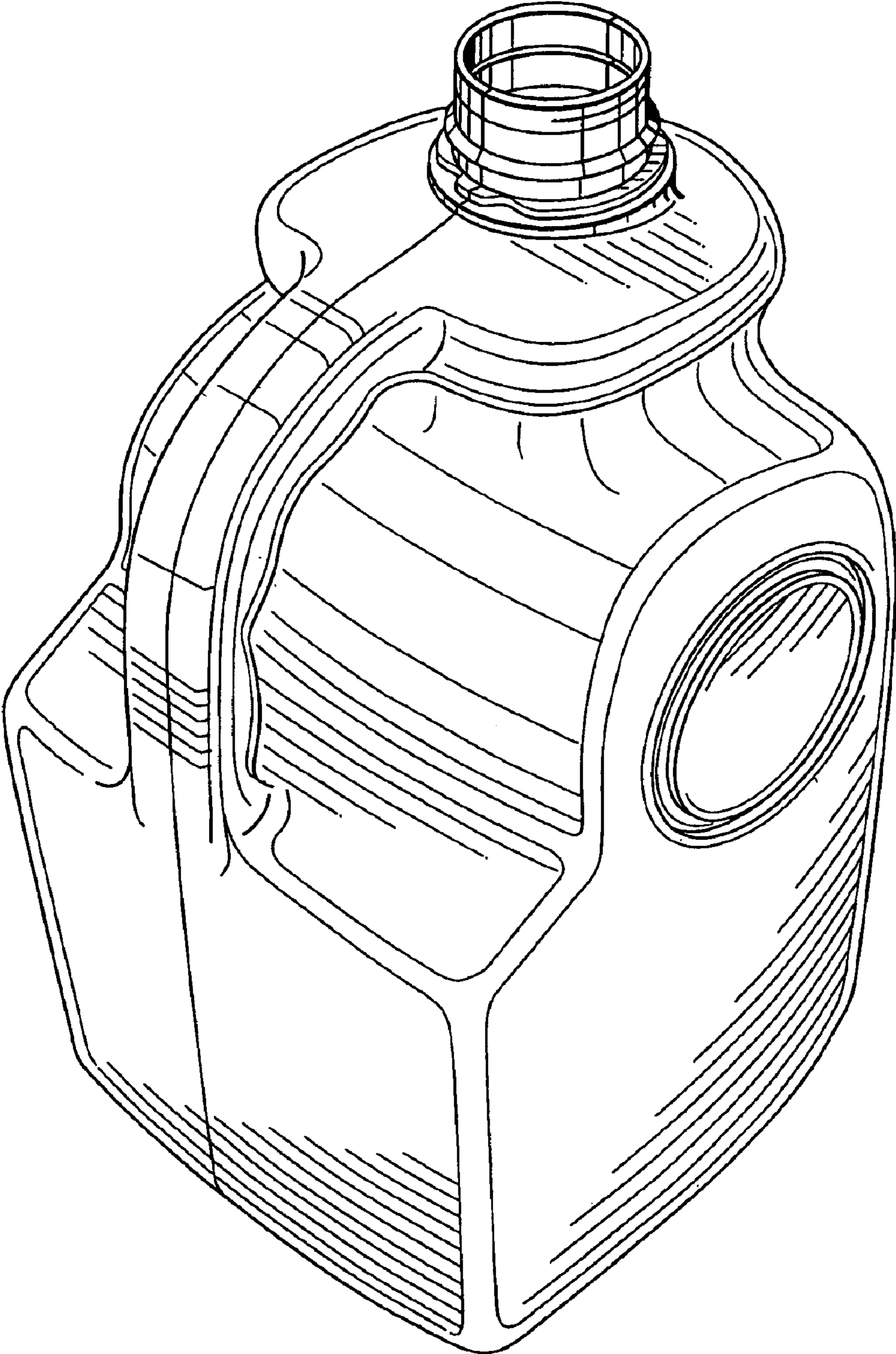


Fig. 2

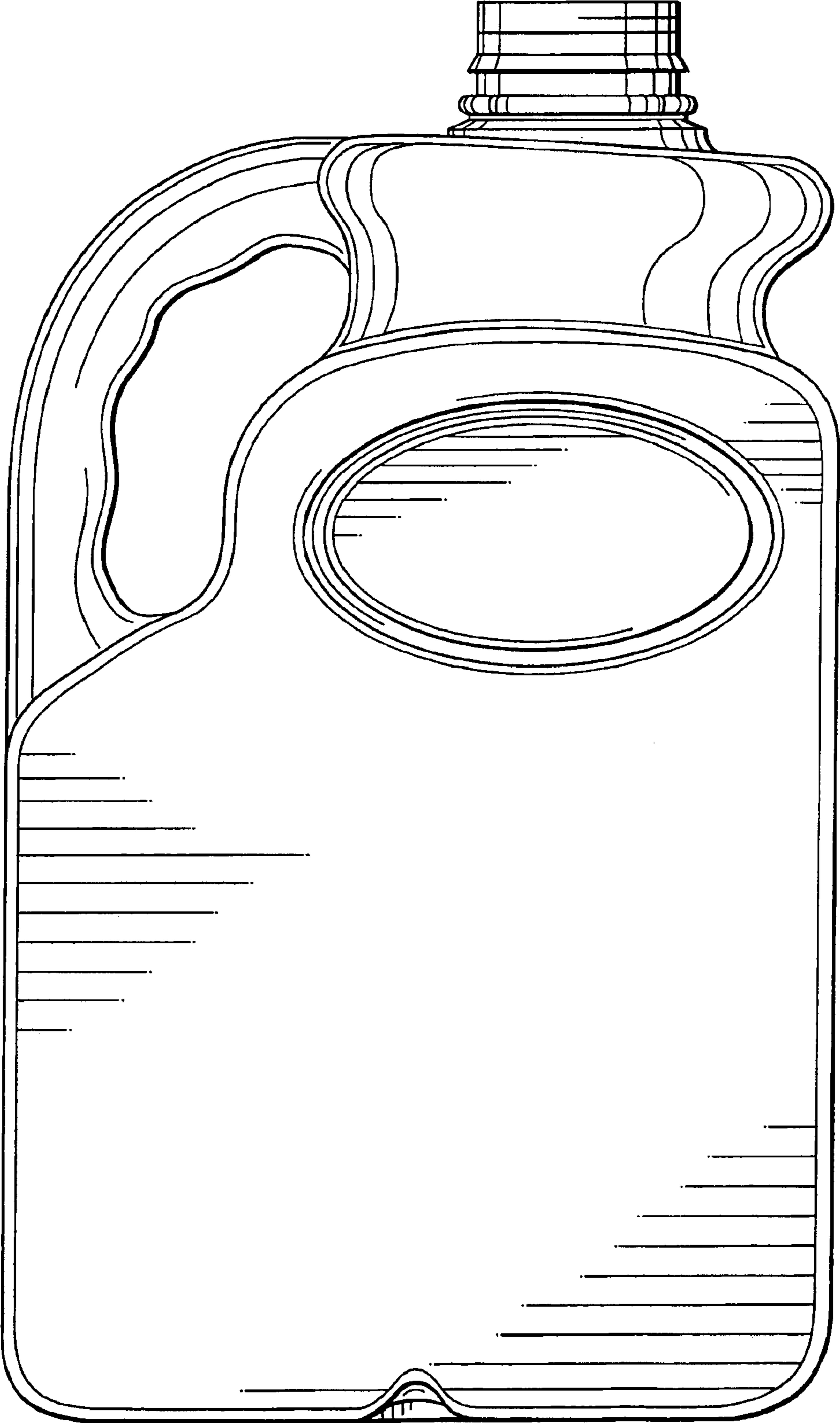


Fig. 3

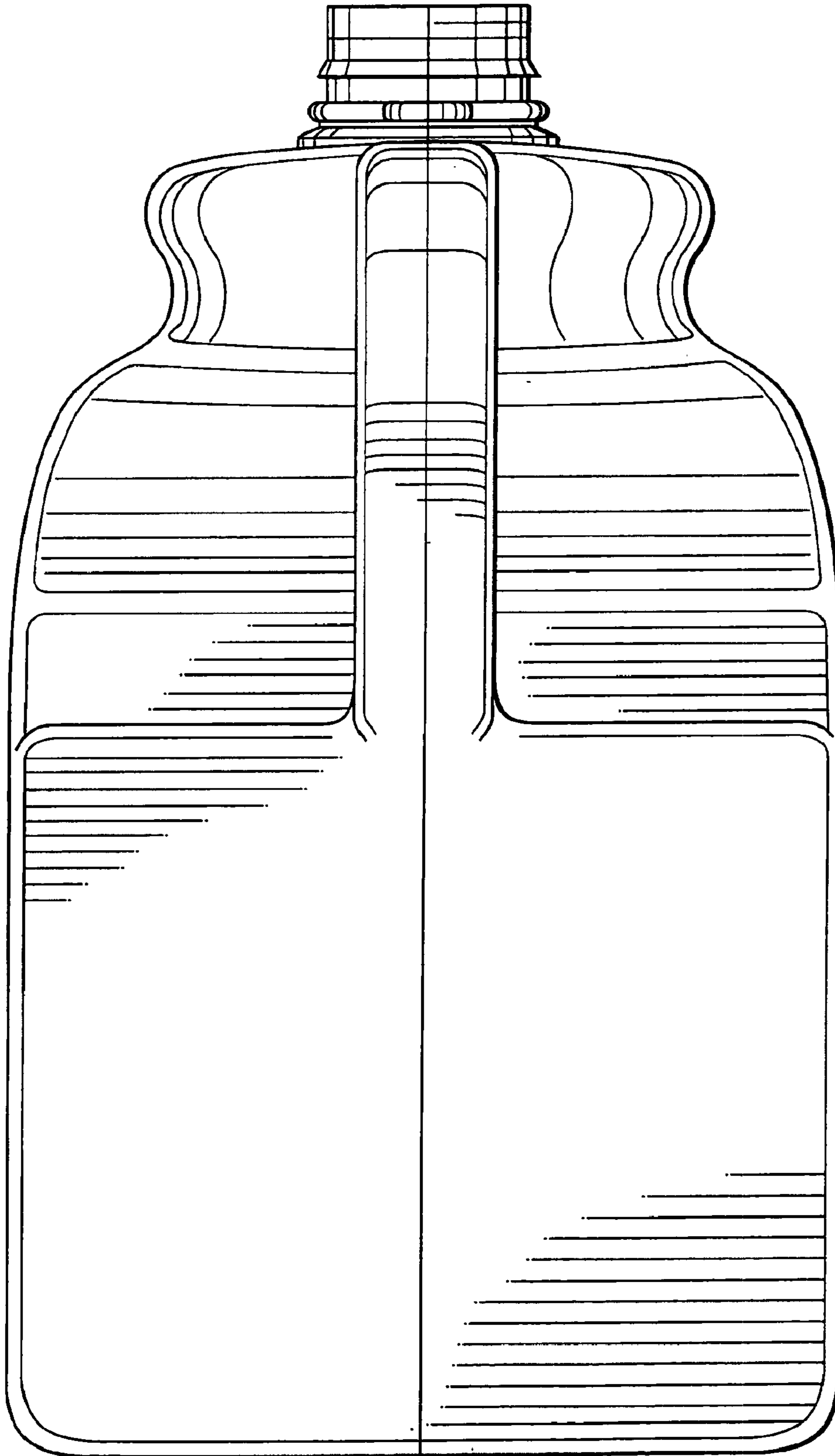


Fig. 4

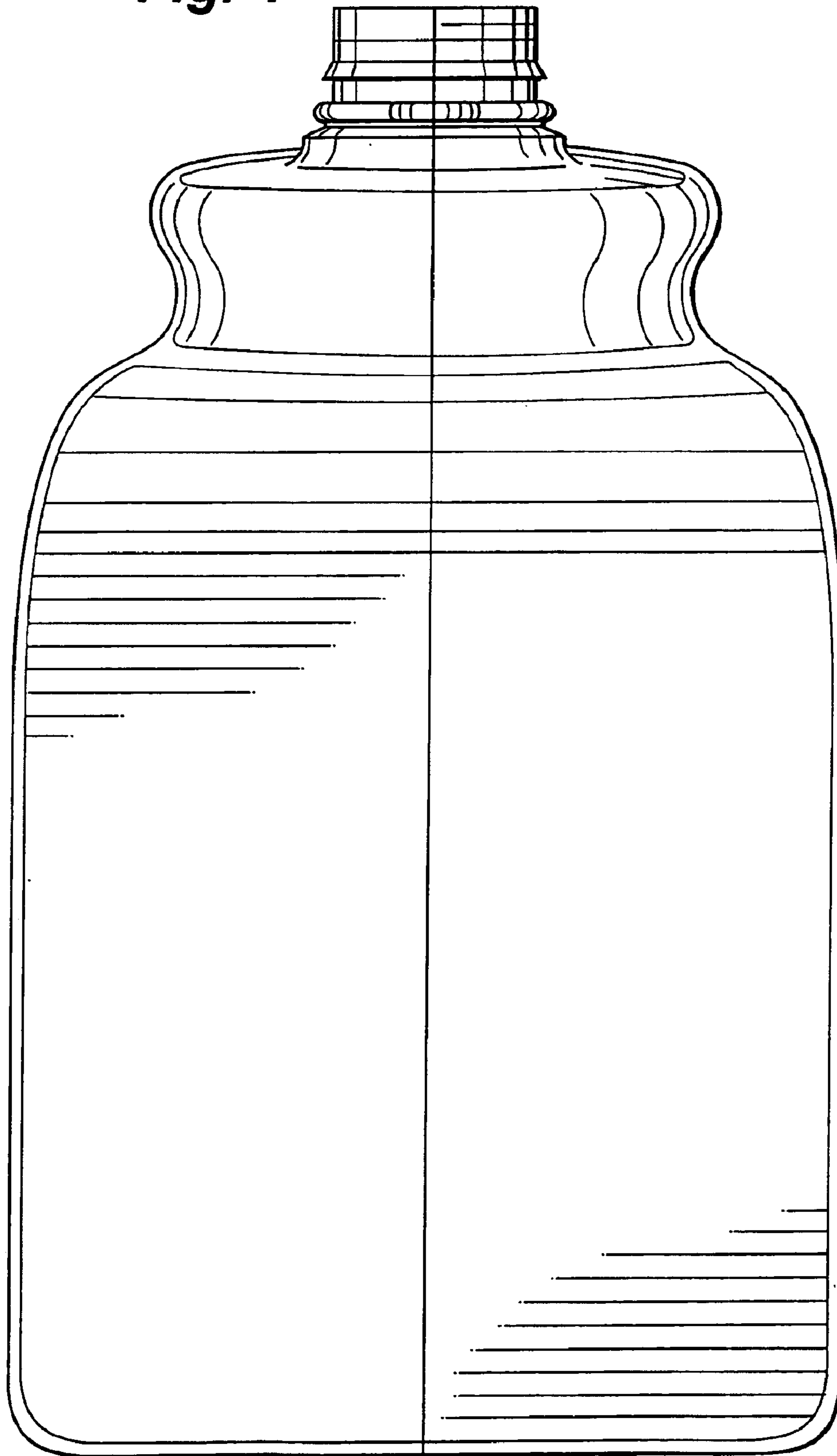


Fig. 5

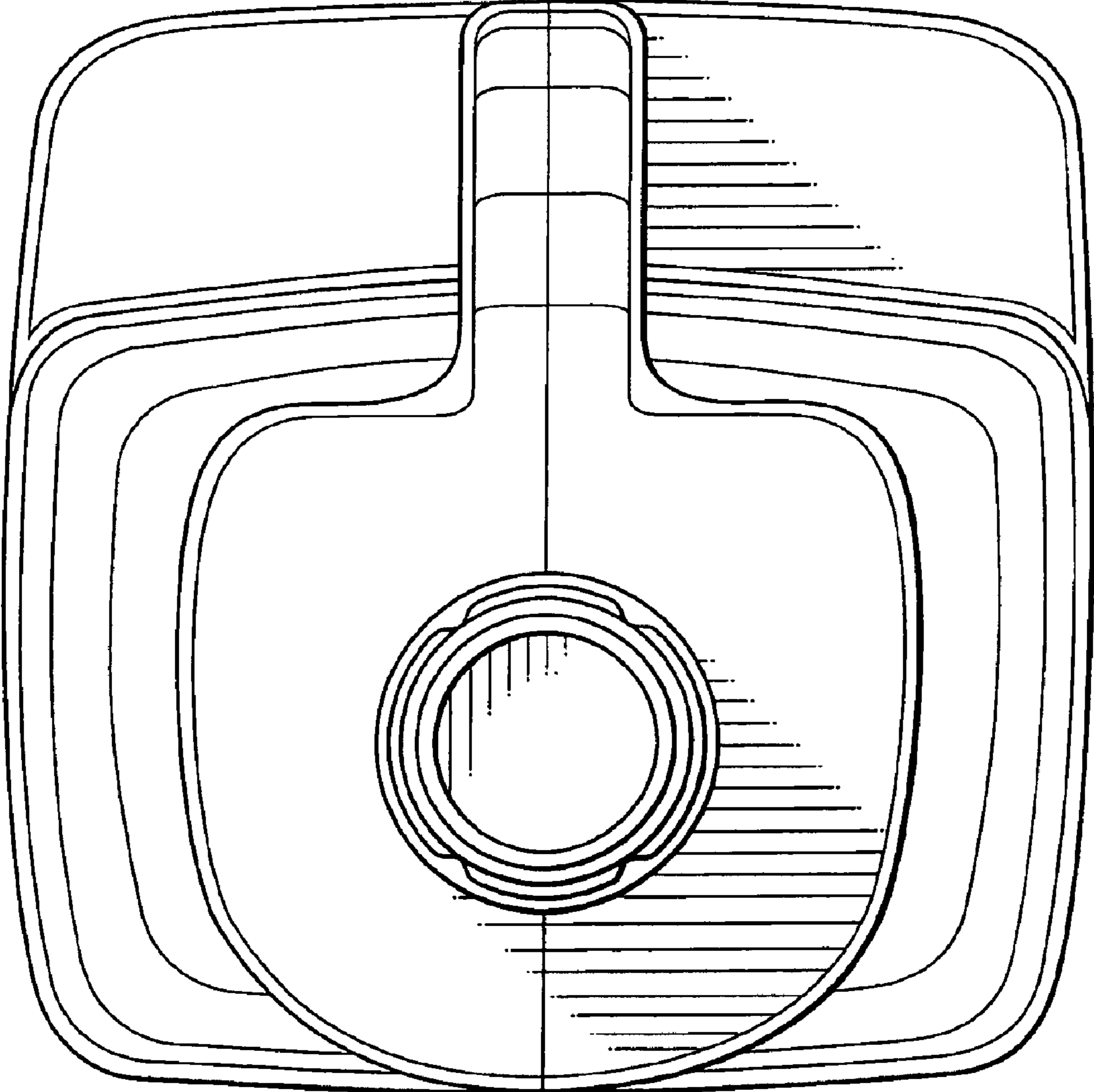


Fig. 6

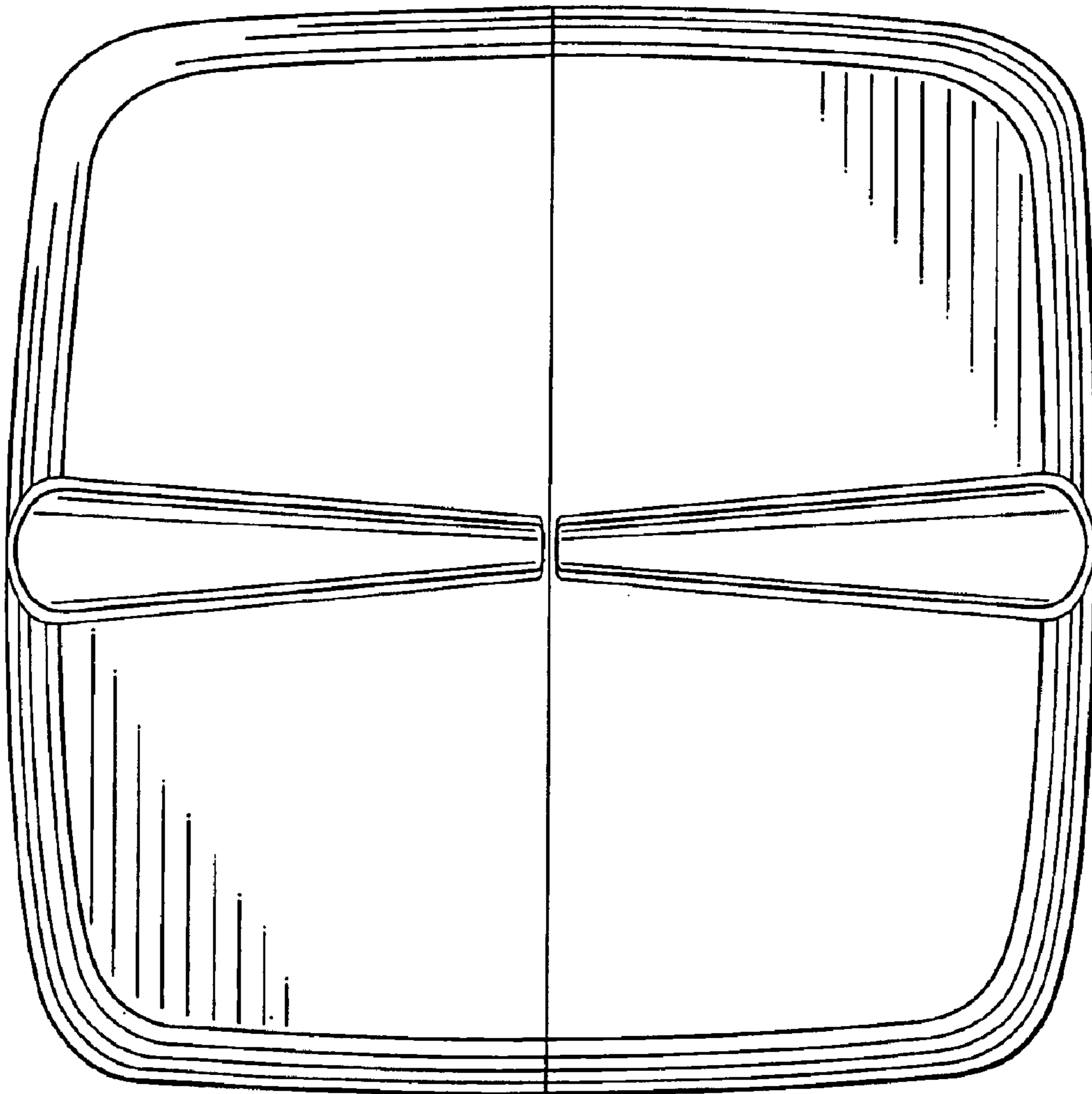


Fig. 7

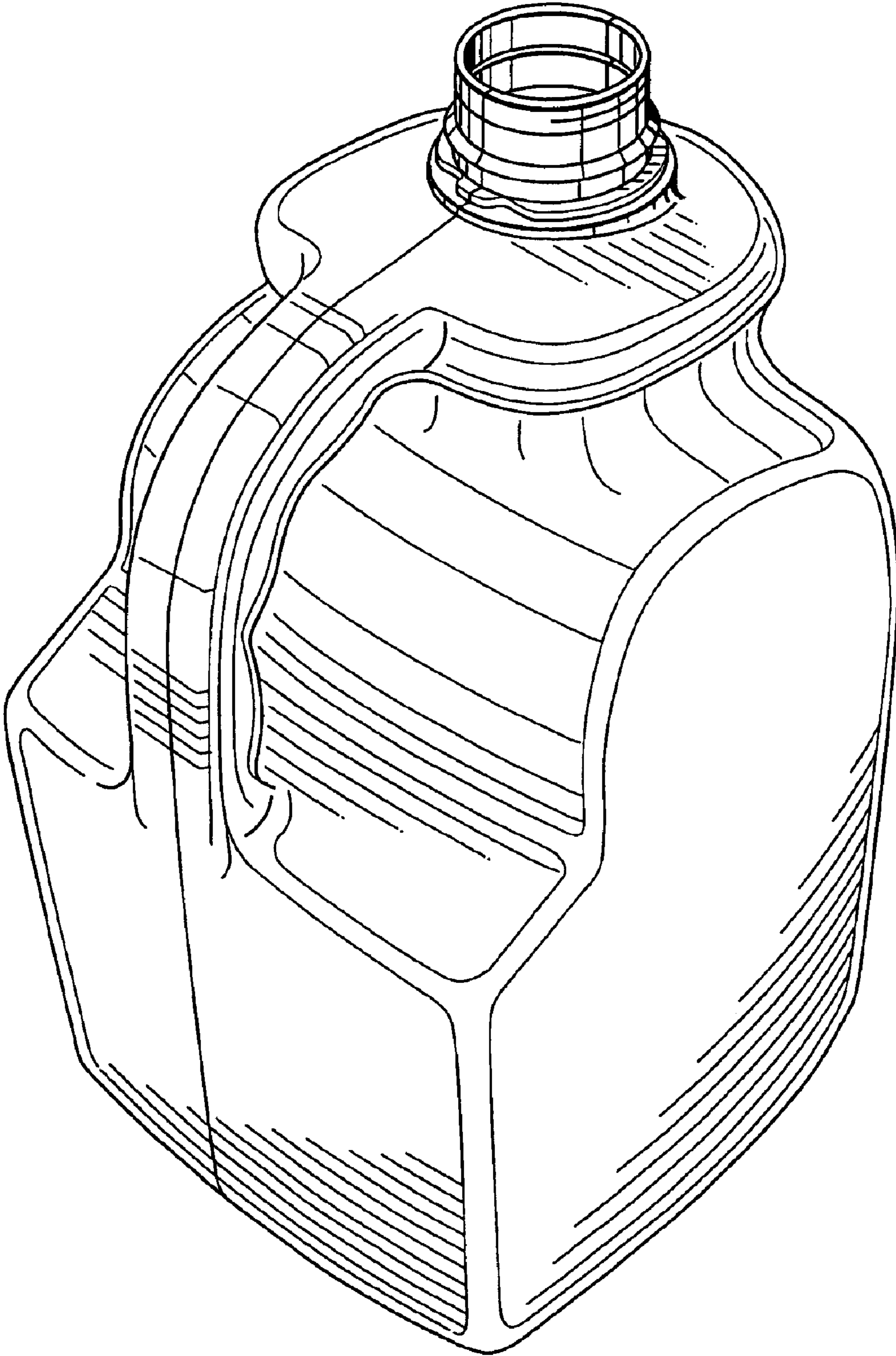


Fig. 8

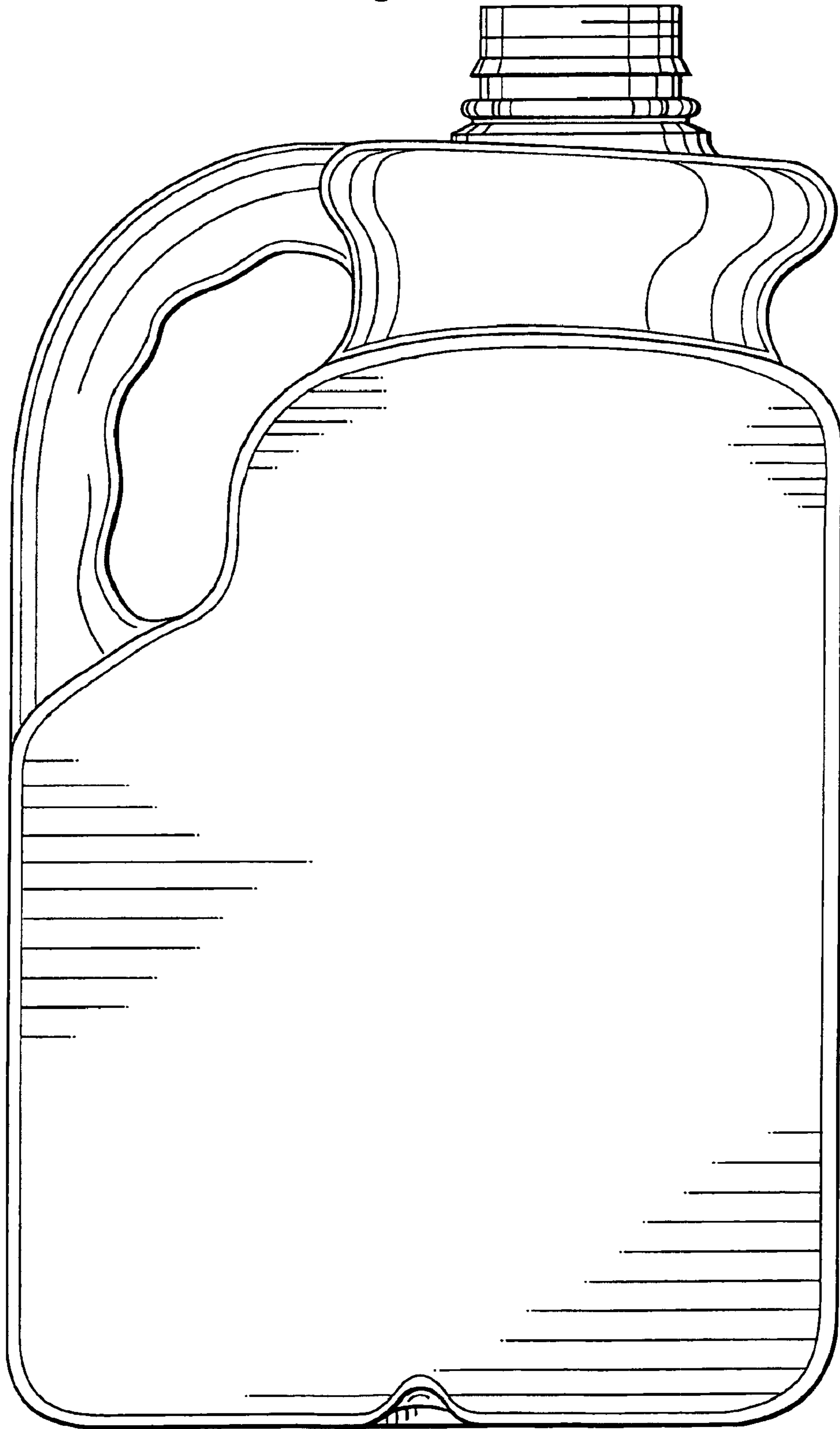


Fig. 9

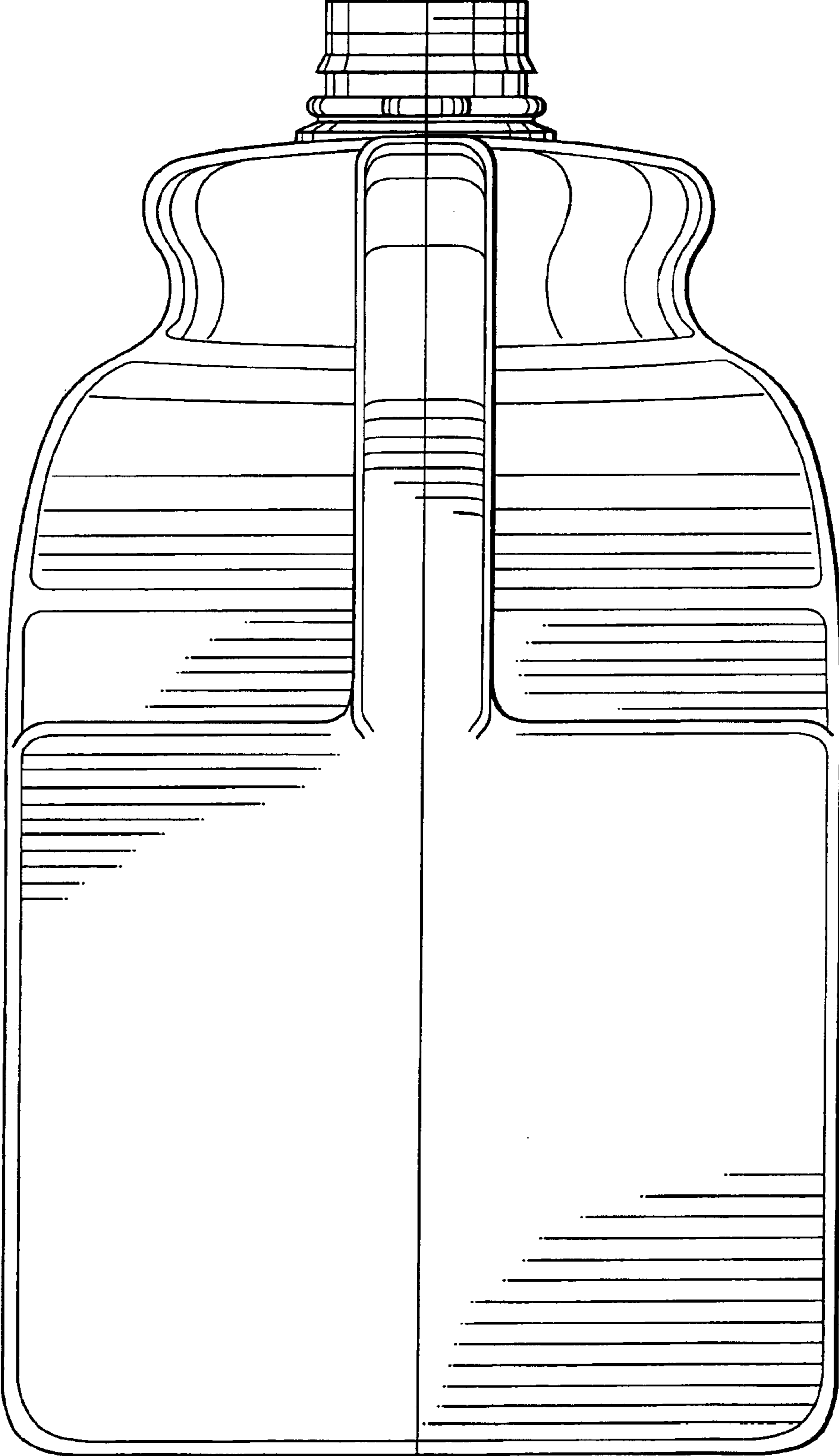


Fig. 10

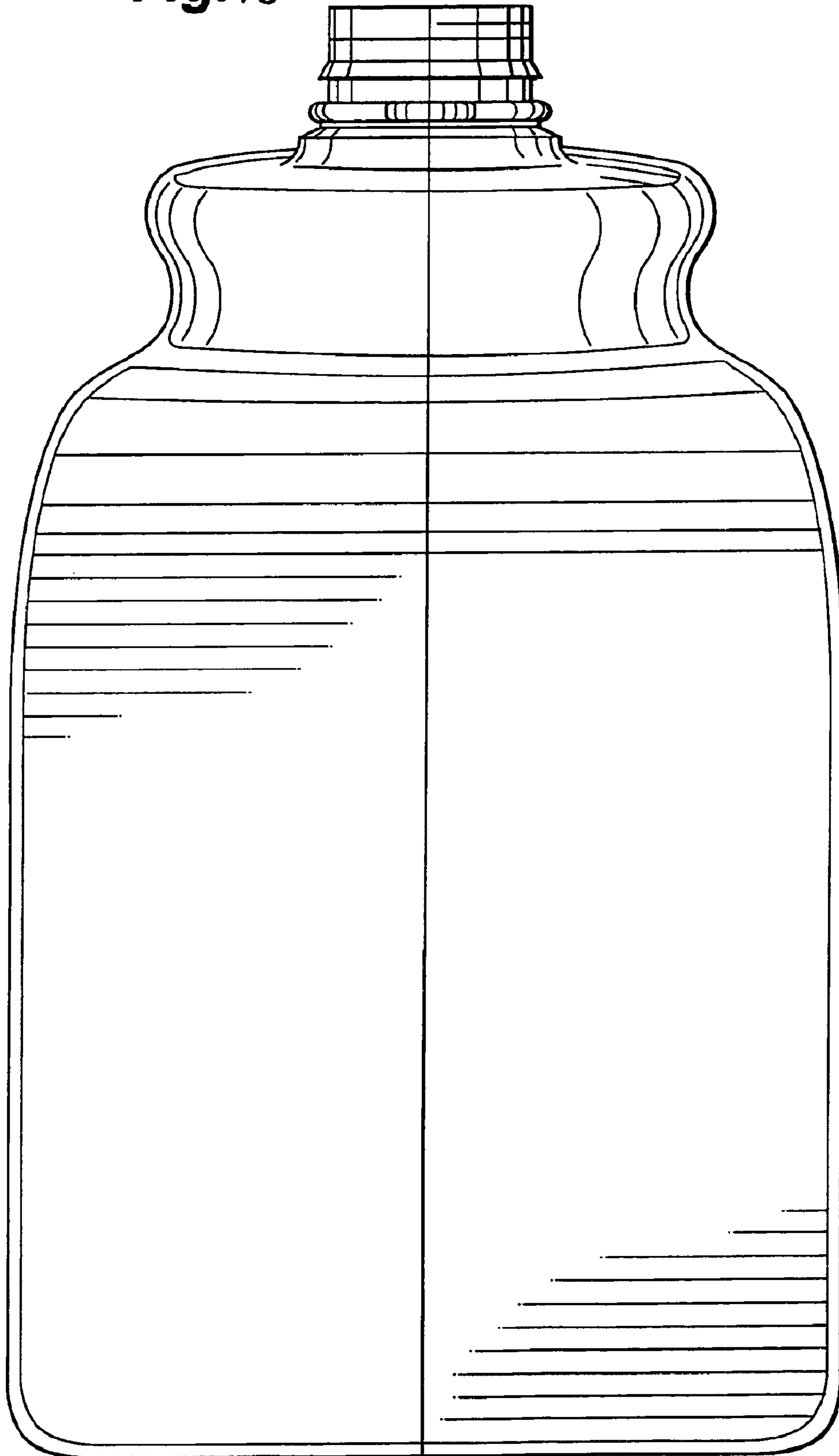


Fig. 11

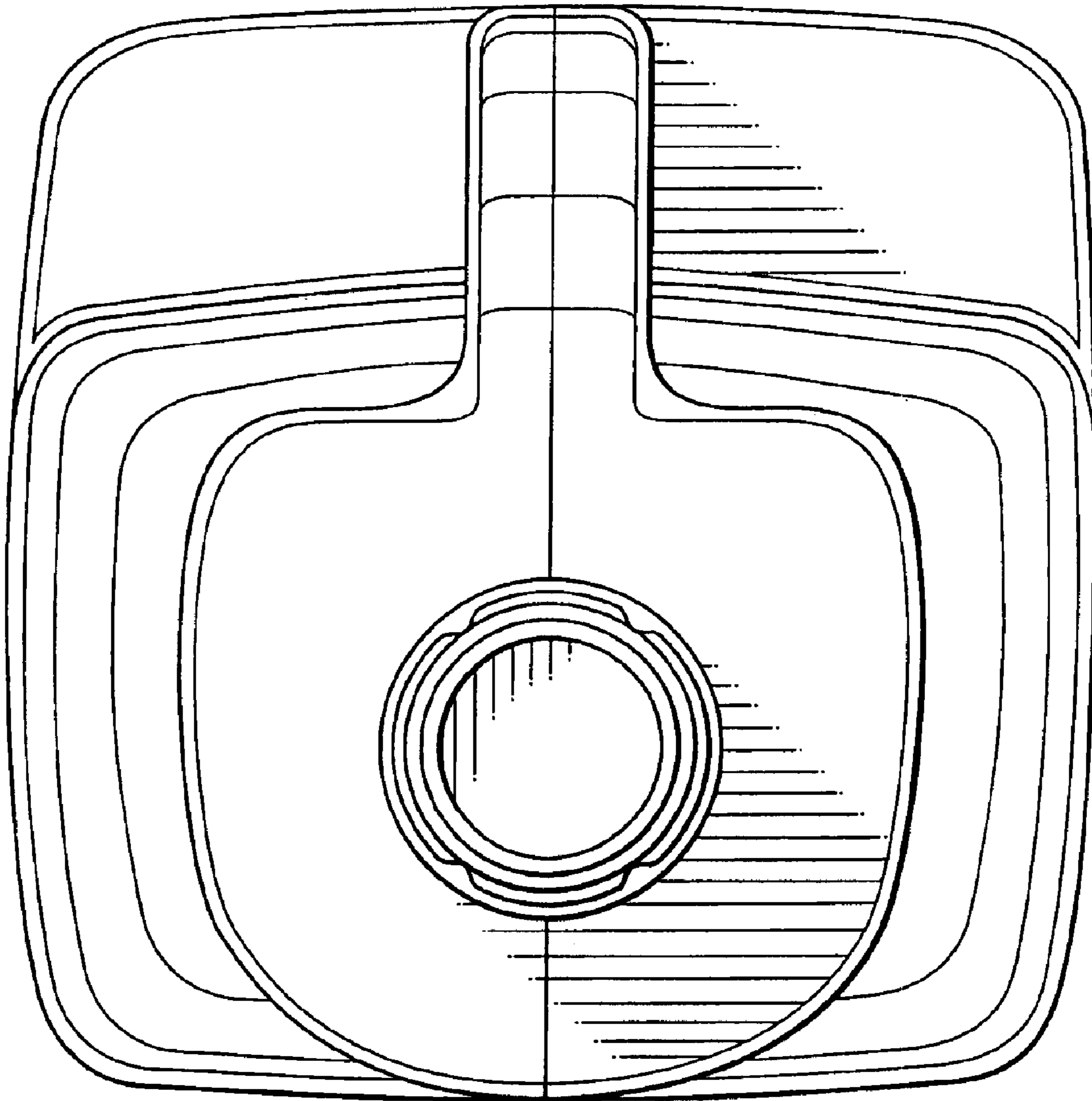


Fig. 12

