



US00D503617S

(12) **United States Design Patent**
Roth et al.

(10) **Patent No.: US D503,617 S**
(45) **Date of Patent: ** Apr. 5, 2005**

(54) **CONTAINER LID**

D422,502 S * 4/2000 Keller et al. D9/451

(76) Inventors: **Donna Roth**, 42 Tremont St., Duxbury, MA (US) 02332; **Henry Roth**, 42 Tremont St., Duxbury, MA (US) 02332

OTHER PUBLICATIONS

3 Sheets of Drawings of a Shaped Paper Plate.

(**) Term: **14 Years**

* cited by examiner

(21) Appl. No.: **29/191,490**

Primary Examiner—Louis S. Zarfes

Assistant Examiner—Susan Bennett Hattan

(22) Filed: **Oct. 7, 2003**

(74) *Attorney, Agent, or Firm*—Volpe and Koenig, P.C.

(57) **CLAIM**

Related U.S. Application Data

We claim a new ornamental design for a container lid, as shown and described.

(62) Division of application No. 29/178,336, filed on Mar. 25, 2003, now Pat. No. Des. 484,358.

DESCRIPTION

(51) **LOC (7) Cl.** **09-01**

FIG. 1 is a perspective view of a container lid according to a preferred embodiment of our new design;

(52) **U.S. Cl.** **D9/444**

FIG. 2 is a front elevational view of the container lid of FIG. 1;

(58) **Field of Search** D7/391, 392, 392.1, D7/538-542; D9/434-436, 414, 444, 424-432, 451, 454; 220/376, 805, 780-783, 792-794, 796-799

FIG. 3 is a top plan view of the container lid of FIG. 1;

FIG. 4 is a right side elevational view of the container lid of FIG. 1;

(56) **References Cited**

U.S. PATENT DOCUMENTS

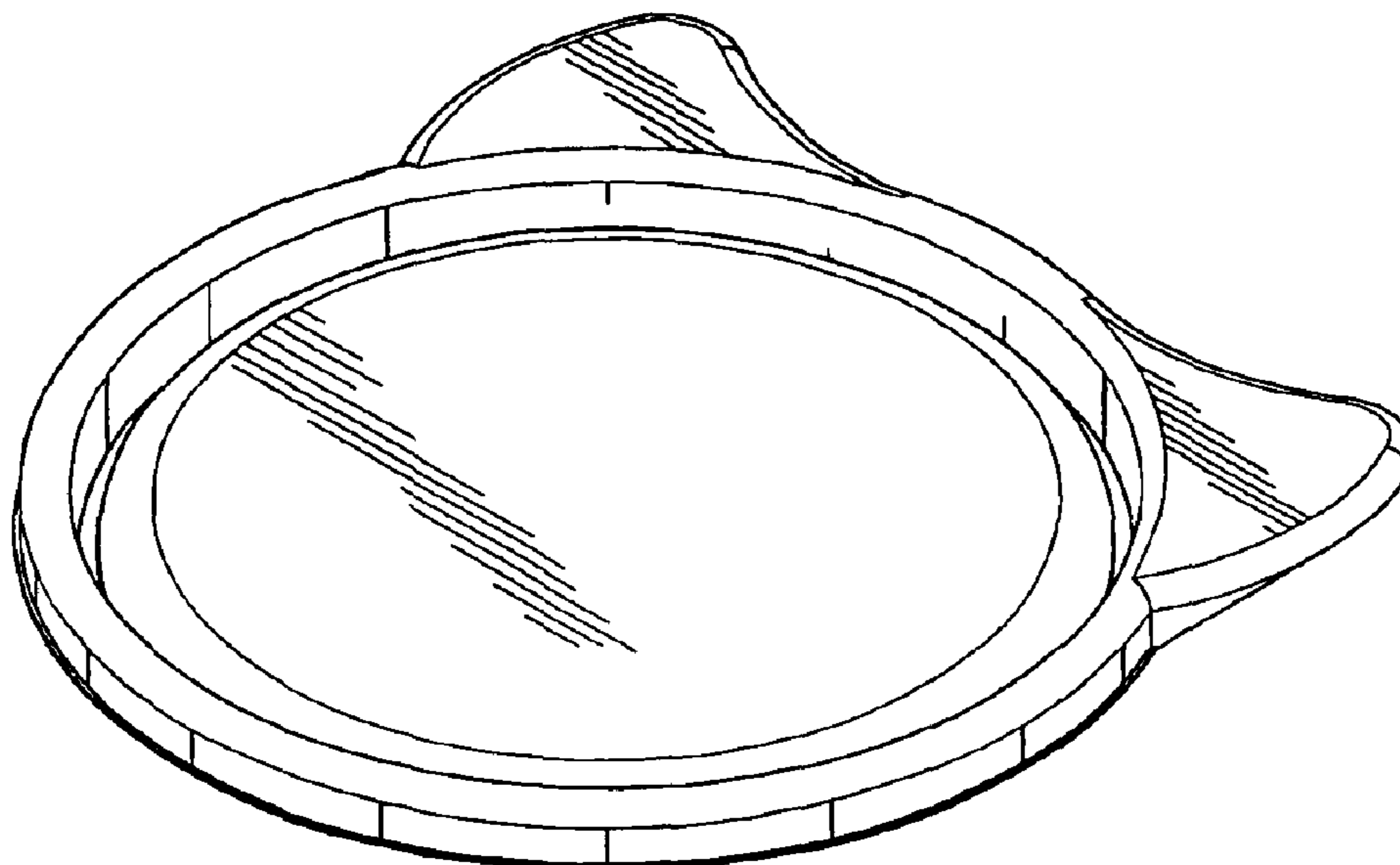
2,731,751 A * 1/1956 Green D9/451
D344,209 S * 2/1994 Cousins et al. D7/392.1
D371,485 S * 7/1996 Hickey D7/392.1
5,540,611 A * 7/1996 Lapoint et al. 446/72

FIG. 5 is a left side elevational view of the container lid of FIG. 1;

FIG. 6 is a rear elevational view of the container lid of FIG. 1; and,

FIG. 7 is a bottom plan view of the container lid of FIG. 1.

1 Claim, 2 Drawing Sheets



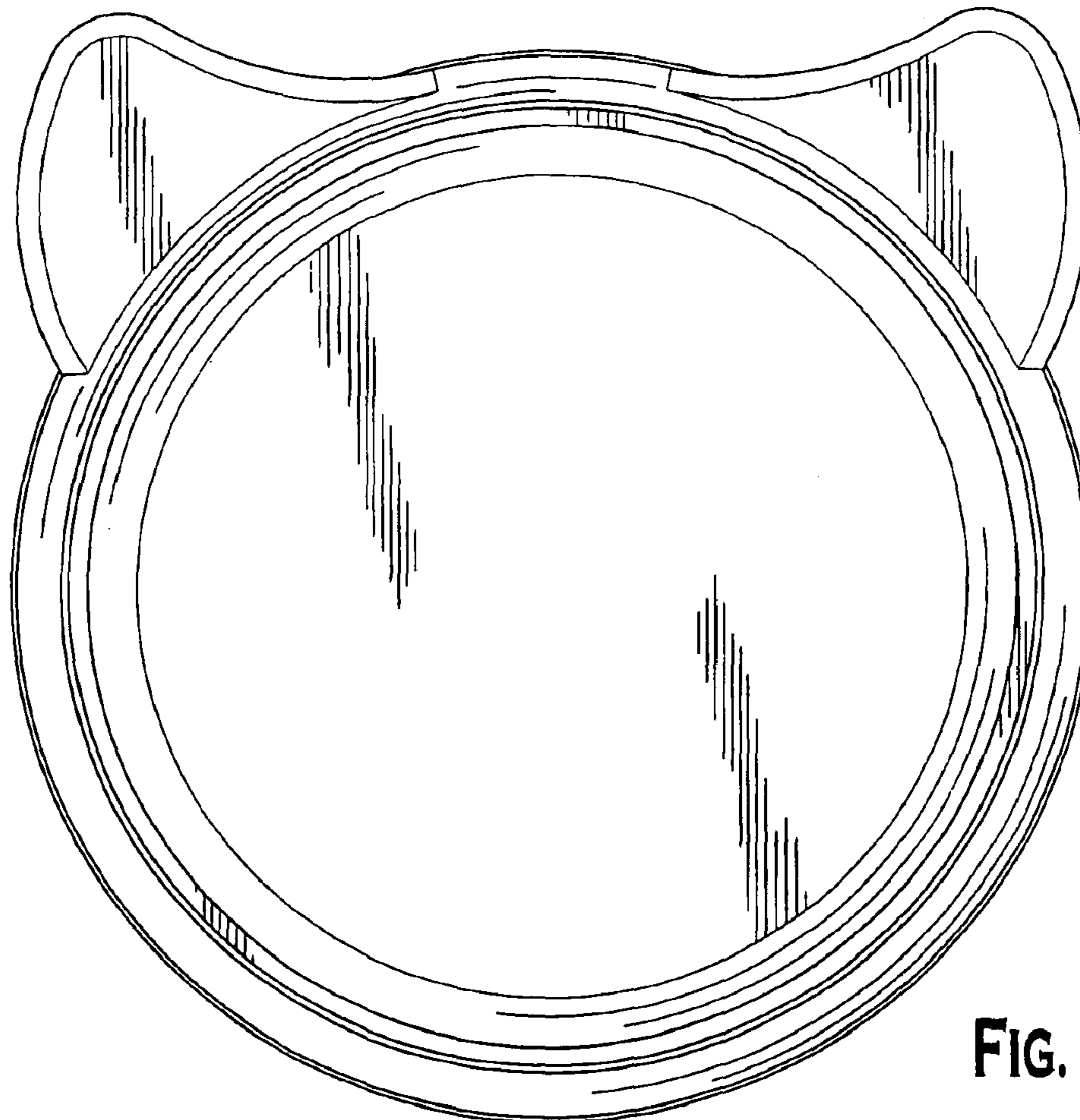
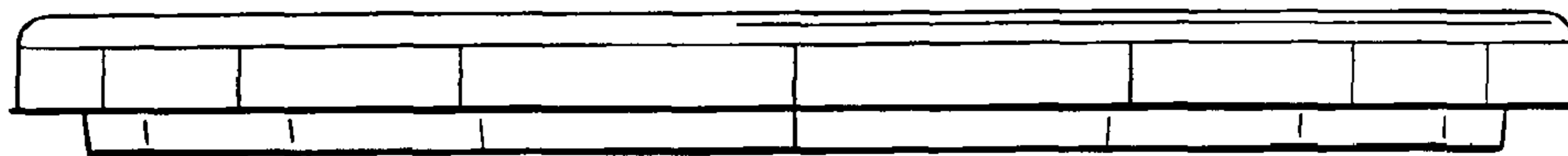
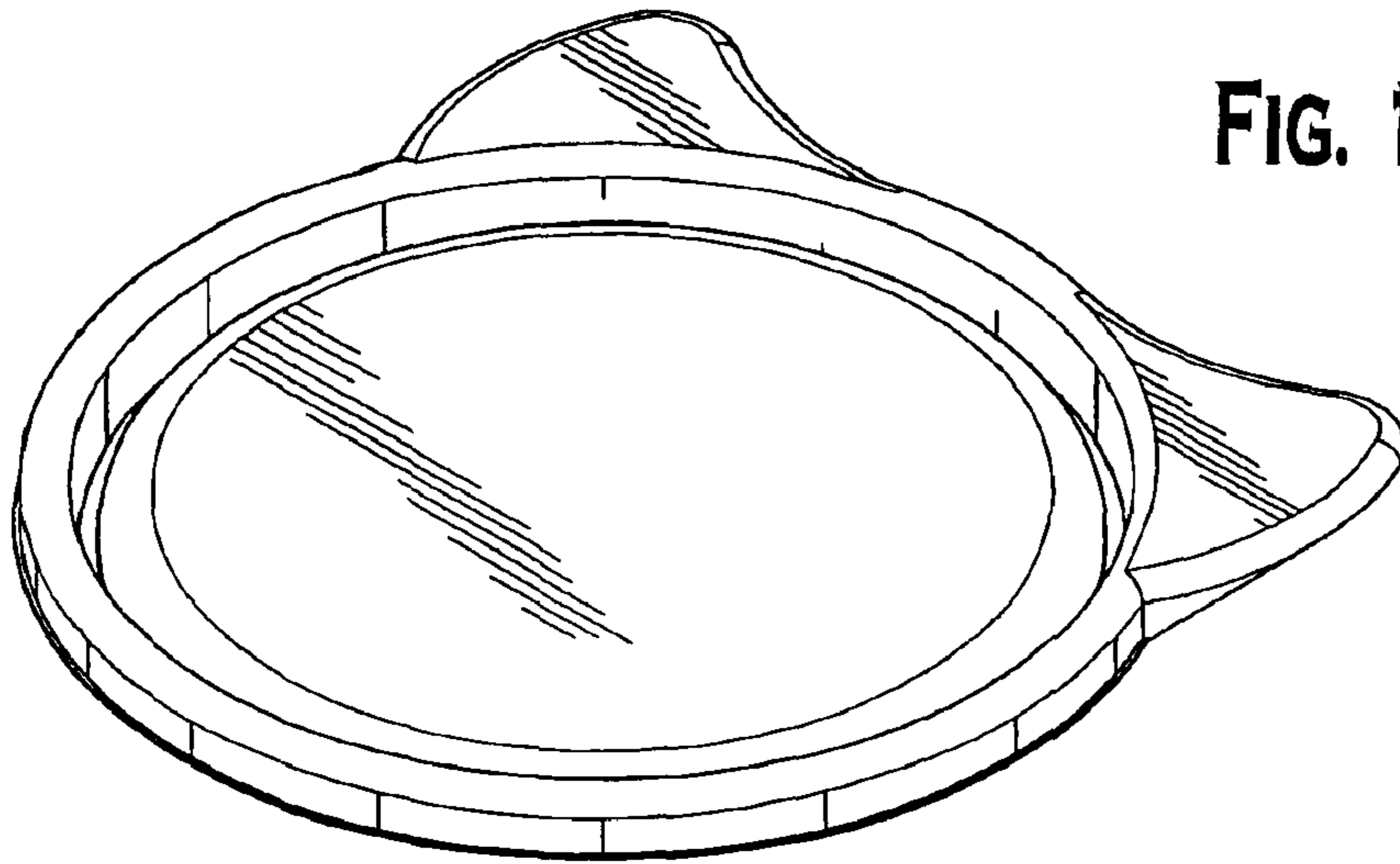


FIG. 4

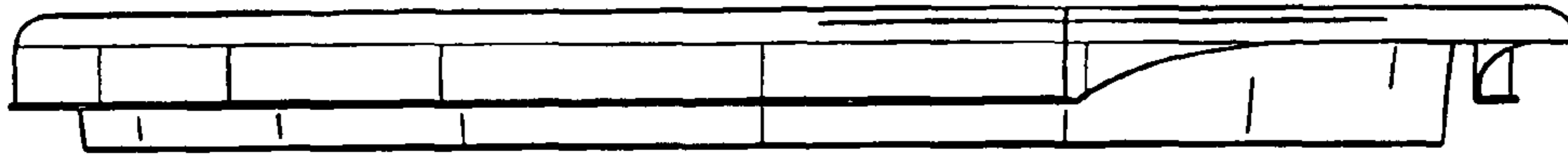


FIG. 5

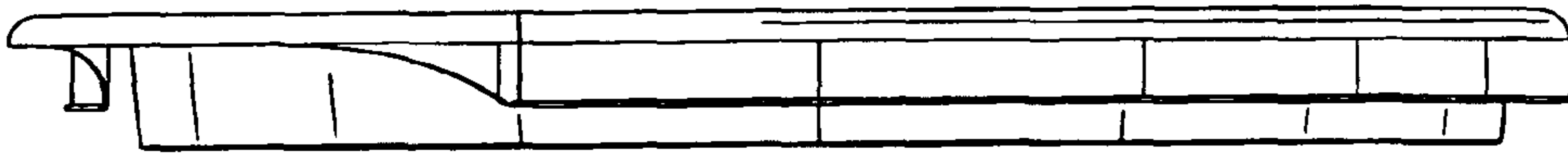


FIG. 6

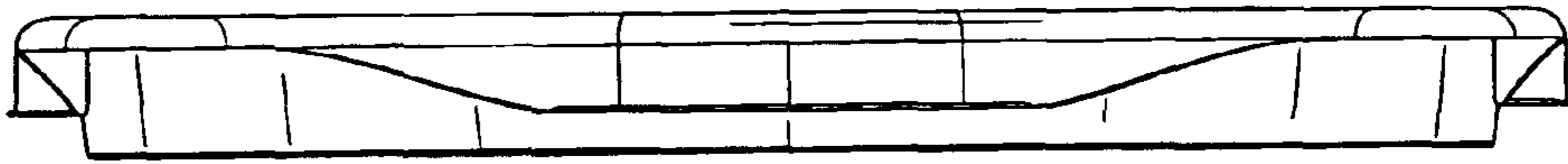


FIG. 7

