



US00D503614S

(12) **United States Design Patent** (10) **Patent No.:** **US D503,614 S**
Sax et al. (45) **Date of Patent:** **** Apr. 5, 2005**

(54) **BOX CONVERTIBLE TO A DISPLAY CONTAINER**

(75) Inventors: **Alan Sax**, Chicago, IL (US); **Andre C. Smith**, Chicago, IL (US)

(73) Assignee: **Stone Container Corporation**, Chicago, IL (US)

(**) Term: **14 Years**

(21) Appl. No.: **29/169,290**

(22) Filed: **Oct. 17, 2002**

(51) **LOC (7) Cl.** **09-07**

(52) **U.S. Cl.** **D9/416; D9/432; D9/418; D9/415**

(58) **Field of Search** **D9/416, 417, 432, D9/433, 346, 422; 206/736, 738, 766, 739, 751, 754; 229/122, 240, 244, 245, 149-154, 162.3, 123.3, 203, 125.33, 238, 123.2**

(56) **References Cited**

U.S. PATENT DOCUMENTS

1,455,792	A	*	5/1923	Kessler	229/122
1,620,197	A		3/1927	Evans		
1,639,750	A		8/1927	Portman		
D83,042	S	*	1/1931	Goldberg	D9/422
1,986,101	A		1/1935	Brodsky		
2,005,924	A		6/1935	Wilson		
2,031,111	A		2/1936	Kondolf		
2,135,041	A		11/1938	Myers		
2,241,710	A		5/1941	Lowey		
2,252,147	A		8/1941	Warren		
2,252,779	A		8/1941	Moore		
2,321,473	A		6/1943	Ferguson		
2,330,927	A	*	10/1943	Rous et al.	206/45.29
2,407,781	A		9/1946	Guyer		
2,435,135	A		1/1948	Franck		
2,456,168	A		12/1948	Behrens		
2,593,333	A		4/1952	Myers		
2,595,202	A		4/1952	Pardee		
2,624,455	A		1/1953	Myers		

(Continued)

FOREIGN PATENT DOCUMENTS

FR	2663614	12/1991	B65D/71/38
GB	2245253 A	1/1992	B65D/25/54
WO	WO 93/01982	2/1993	B65D/5/42

OTHER PUBLICATIONS

“Nestle USA” box design (Packaging Corporation of America).

Primary Examiner—Prabhakar Deshmukh

(74) *Attorney, Agent, or Firm*—Greenberg Traurig LLP

(57) **CLAIM**

The ornamental design for a box convertible to a display container, as described and shown.

DESCRIPTION

FIG. 1 is a front top perspective view of the box convertible to a display container, showing our new ornamental design thereof;

FIG. 2 is a further front top perspective view thereof;

FIG. 3 is a rear top perspective view thereof;

FIG. 4 is a front elevational view thereof;

FIG. 5 is a rear elevational view thereof;

FIG. 6 is a right side elevational view thereof;

FIG. 7 is a left side elevational view thereof;

FIG. 8 is a top plan view thereof;

FIG. 9 is a bottom plan view thereof;

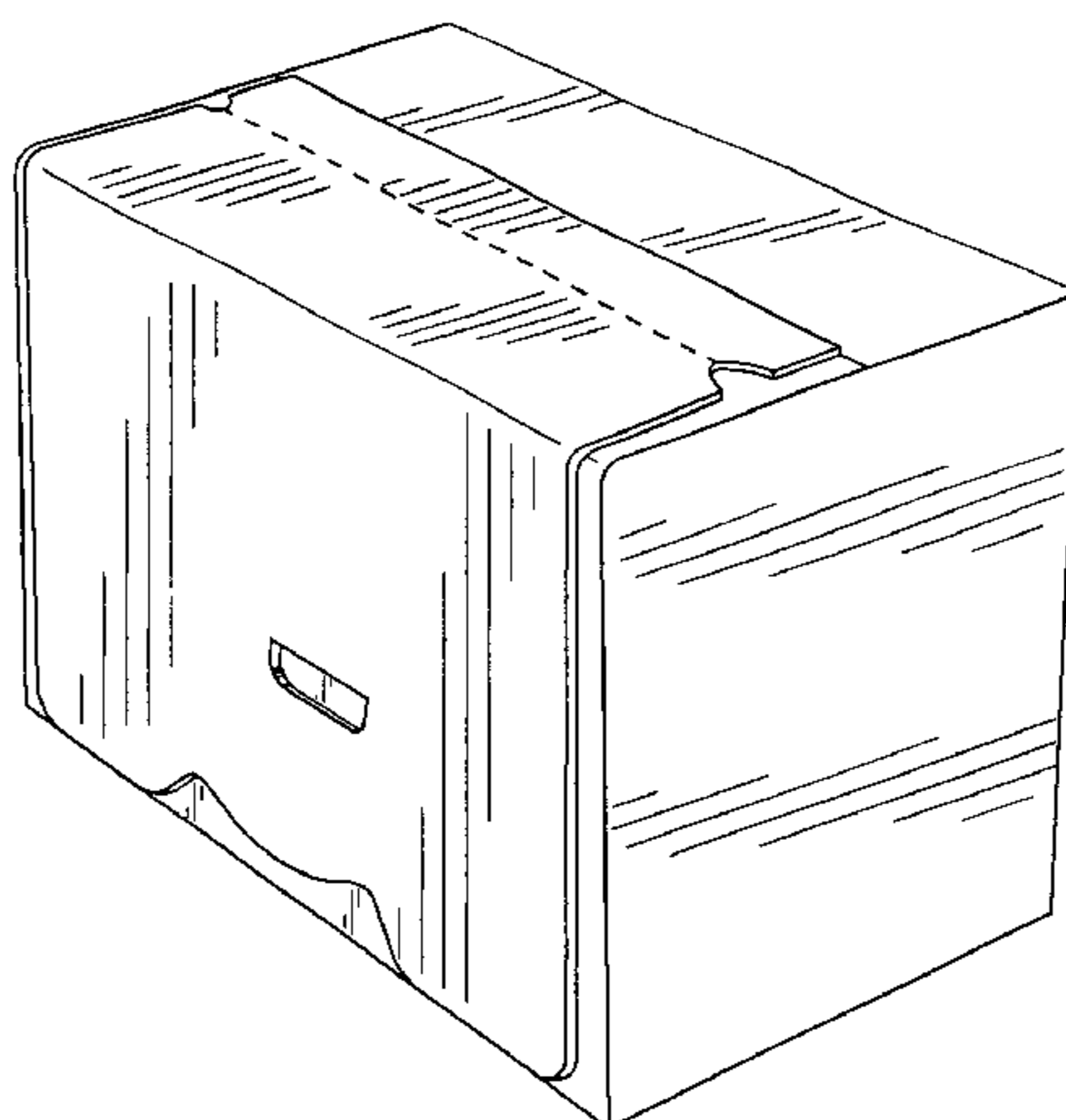
FIG. 10 is a front top perspective view of the box convertible to a display container of FIG. 1, after the detachable cover portion thereof has been pivoted upward from the container portion thereof along an integral perforation;

FIG. 11 is a front top perspective view of the box convertible to a display container of FIG. 1, showing the container and the detachable cover portions thereof after the detachable cover portion has been separated from the container portion by means of an integral perforation;

FIG. 12 is a plan view of a blank for forming the container portion of the box convertible to a display container of FIG. 1; and,

FIG. 13 is a plan view of a blank for forming the detachable cover portion of the box convertible to a display container of FIG. 1.

1 Claim, 9 Drawing Sheets



US D503,614 S

Page 2

U.S. PATENT DOCUMENTS					
			4,441,614 A	4/1984	Gulliver
			D283,593 S	* 4/1986	Hofer D9/341
2,750,096 A	6/1956	Misch	4,658,961 A	4/1987	Tamura
2,776,083 A	1/1957	Derman	4,706,875 A	11/1987	Blackman
2,822,972 A	2/1958	Hartley	4,782,996 A	11/1988	Spahni, Jr.
2,894,674 A	* 7/1959	Wagaman 229/222	4,801,080 A	1/1989	Spengler
2,949,221 A	8/1960	Vander Lugt, Jr.	4,809,847 A	3/1989	Schneider
2,973,086 A	2/1961	Thompson	4,865,187 A	9/1989	Zulauf et al.
3,002,608 A	10/1961	Zwickey	4,874,125 A	10/1989	Bates
3,066,843 A	12/1962	Johnson	4,913,339 A	4/1990	Elder
3,135,452 A	6/1964	Brundage	4,925,087 A	5/1990	Ostrander
3,206,098 A	9/1965	Stenger et al.	4,925,088 A	5/1990	Ostrander
3,207,411 A	9/1965	Farquhar	5,054,644 A	10/1991	Greenslade
3,262,631 A	7/1966	Belsinger	5,060,853 A	10/1991	Gulliver et al.
3,298,505 A	1/1967	Stephenson	5,076,439 A	12/1991	Kuchenbecker
3,305,079 A	2/1967	Bowman et al.	5,108,030 A	4/1992	Schuster et al.
3,309,206 A	3/1967	Daniels	5,156,276 A	10/1992	Lebowitz
3,343,659 A	9/1967	Marondel	5,320,215 A	6/1994	Brennan
3,346,168 A	10/1967	Rouder	5,350,111 A	9/1994	Vosbikian
3,348,666 A	10/1967	McCormick	5,398,869 A	3/1995	Dickson et al.
3,349,959 A	10/1967	Watkins	5,413,274 A	5/1995	Forbes, Jr.
3,371,773 A	3/1968	Flisch	5,480,090 A	1/1996	Taddei et al.
3,385,430 A	5/1968	Benzon-Petersen	5,505,371 A	4/1996	O'Neill
3,409,445 A	11/1968	Hall	5,505,372 A	4/1996	Edson et al.
3,528,598 A	9/1970	Lock	5,507,430 A	4/1996	Imhoff
3,533,546 A	10/1970	Kossnar	5,516,038 A	5/1996	Zaccarini
3,591,069 A	7/1971	Heller, Jr. et al.	5,524,750 A	6/1996	Miller
3,635,393 A	1/1972	Herglotz	5,555,982 A	9/1996	Kuhn et al.
3,638,848 A	2/1972	Heyworth	5,595,304 A	1/1997	Timmins
3,708,104 A	* 1/1973	Buttery 229/208	5,657,872 A	8/1997	Leftwich et al.
3,799,424 A	* 3/1974	Mayea 229/117.12	5,664,684 A	9/1997	Evert
3,835,989 A	9/1974	Mori et al.	5,842,576 A	12/1998	Snow
3,870,221 A	3/1975	Zeitter	5,881,884 A	3/1999	Podosek
3,872,966 A	3/1975	Gordon et al.	5,934,551 A	8/1999	Kaufman
3,891,137 A	6/1975	Ellison et al.	D413,802 S	* 9/1999	Glover et al. D9/416
3,937,393 A	2/1976	Nerenberg	5,950,914 A	9/1999	Dunton et al.
3,949,868 A	4/1976	Allen	6,135,288 A	10/2000	Kim
3,961,706 A	6/1976	Roccaforte et al.	6,168,027 B1	1/2001	Esser
3,981,432 A	9/1976	Bergstein et al.	6,371,366 B1	4/2002	Edgerton et al.
4,009,820 A	3/1977	Fitzgerald	6,427,907 B1	* 8/2002	Espinoza et al. 229/122
4,121,755 A	10/1978	Meseke et al.	6,666,332 B1	* 12/2003	DeWolf et al. 206/459.5
4,191,288 A	* 3/1980	Hostad 206/764	2001/0001447 A1	5/2001	Gregory
4,210,240 A	7/1980	Fricano	2002/0043554 A1	4/2002	White et al.
4,382,504 A	* 5/1983	Vesborg 206/766	2002/0070145 A1	6/2002	Yubas et al.
4,382,511 A	5/1983	Hamelin et al.	2003/0226783 A1	12/2003	Jackson et al.
4,388,993 A	6/1983	Lavery			
4,405,044 A	9/1983	Flower et al.			

* cited by examiner

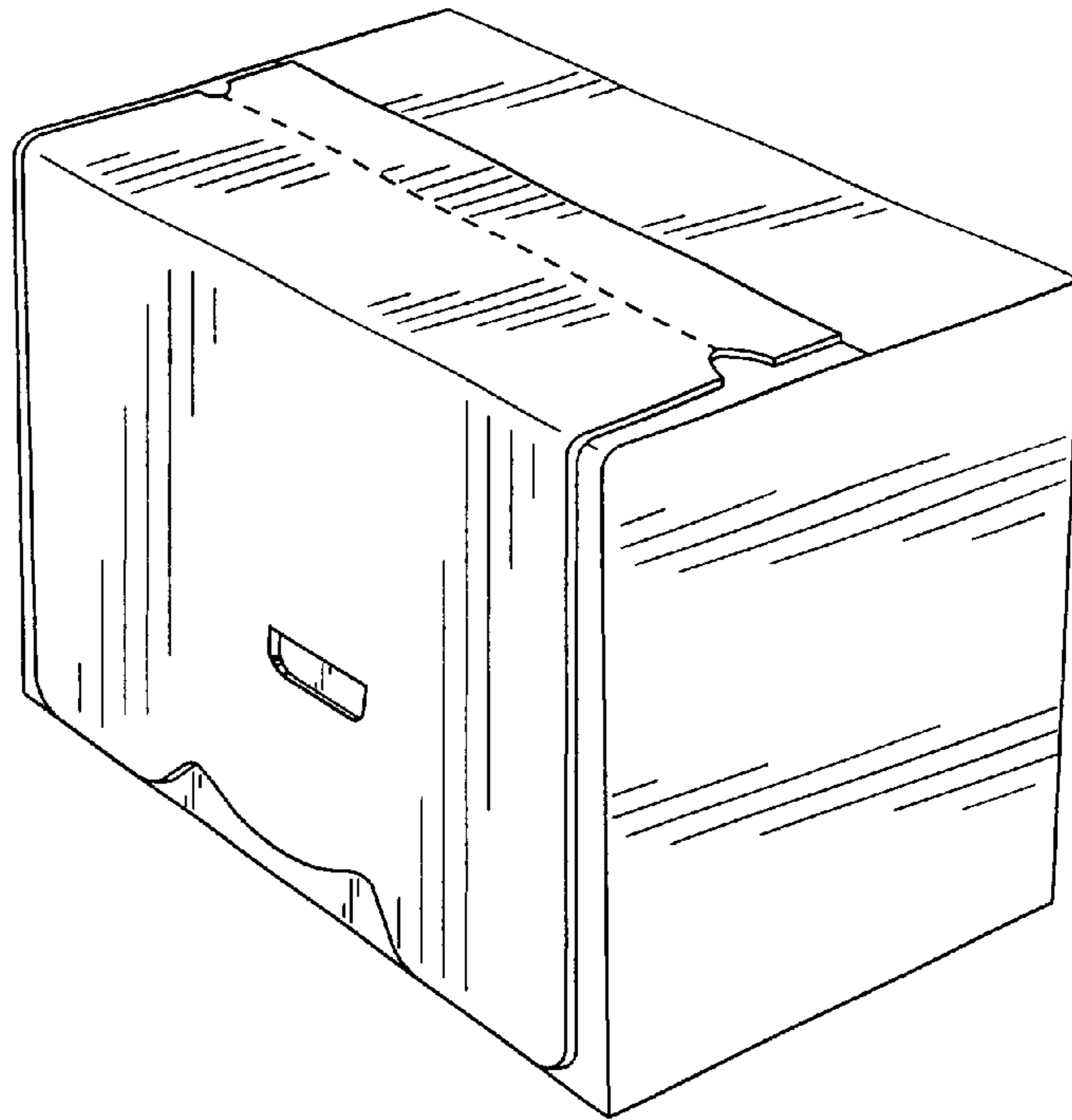


FIG. 1

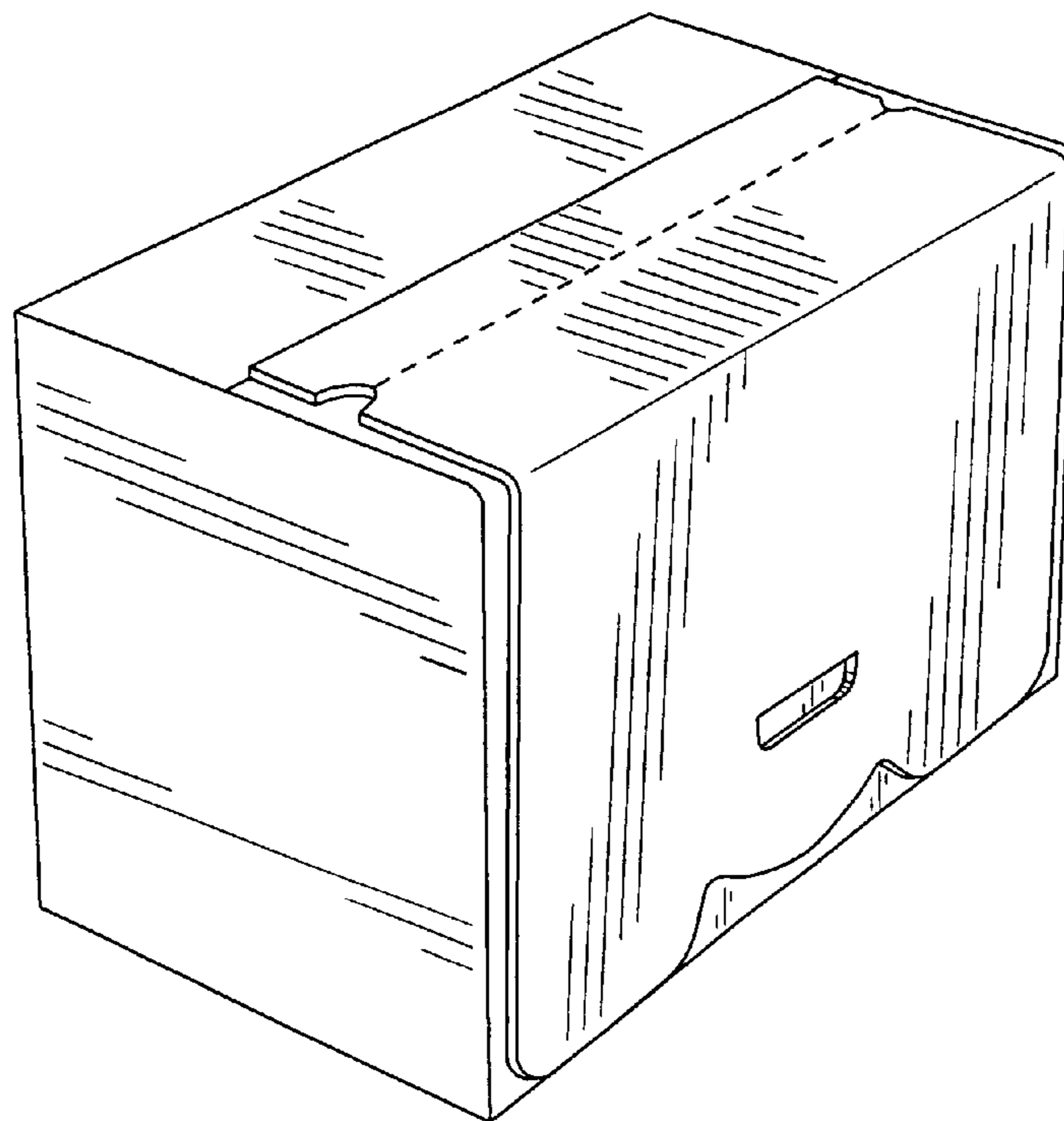


FIG. 2

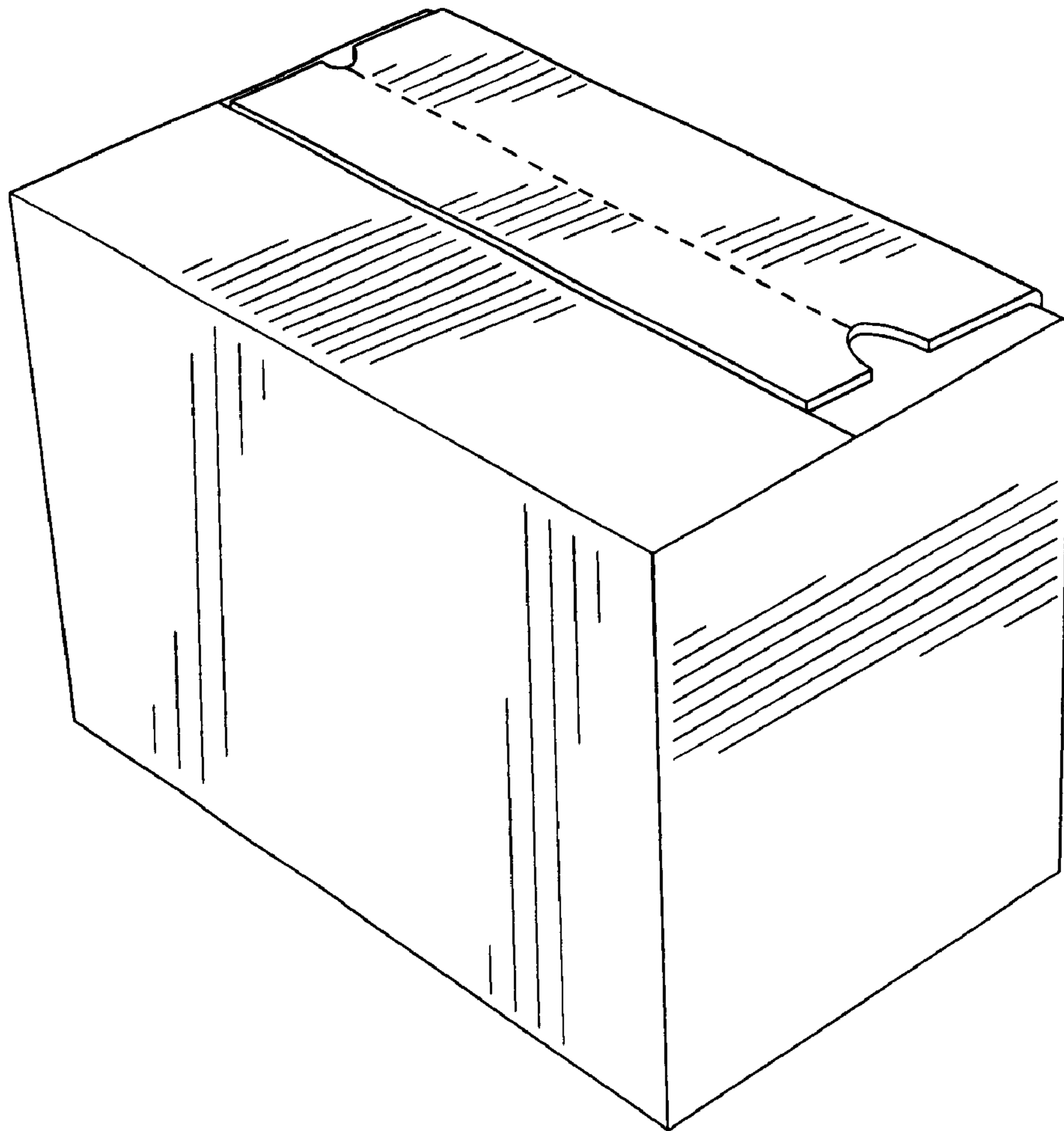


FIG. 3

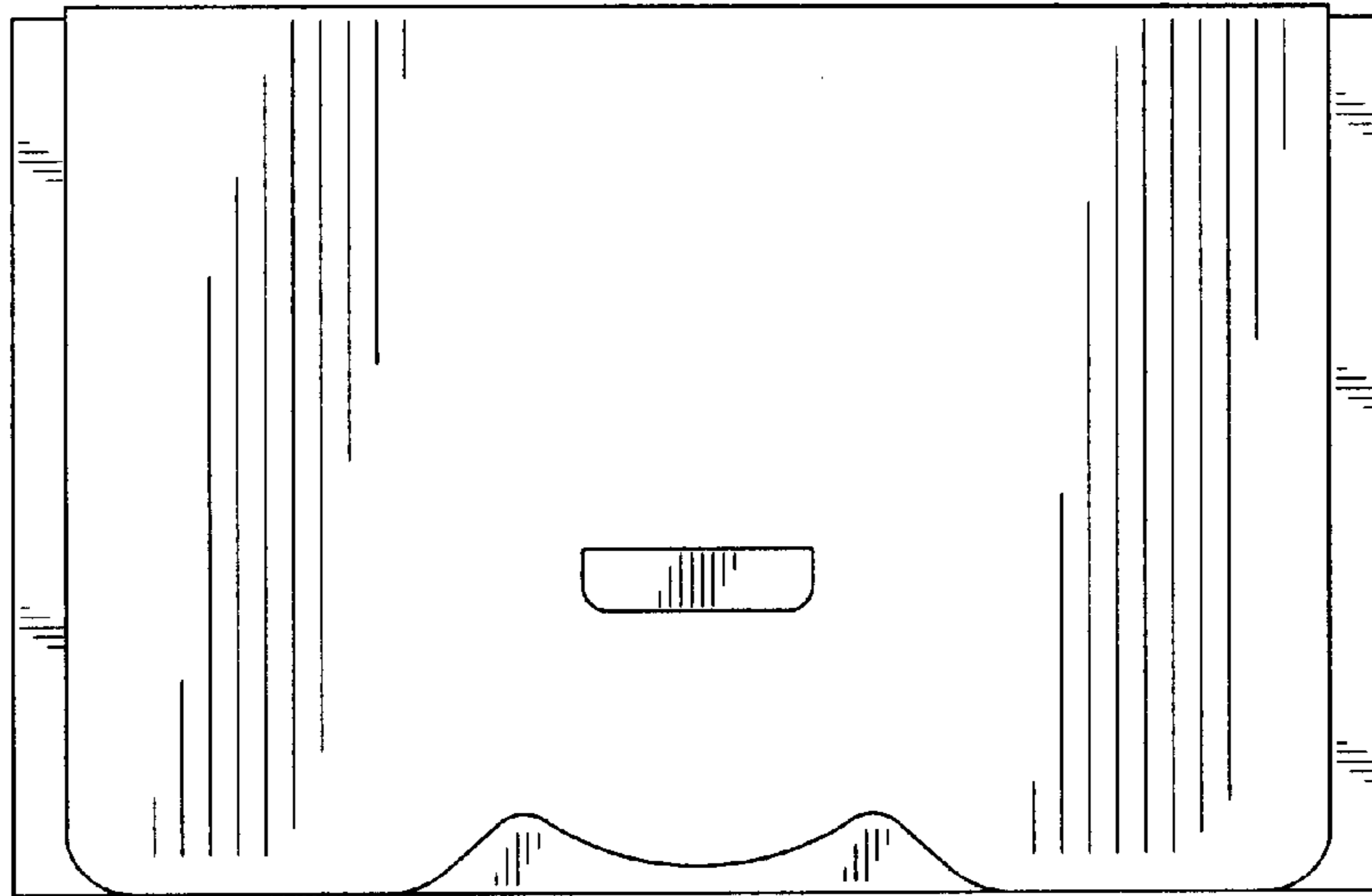


FIG. 4

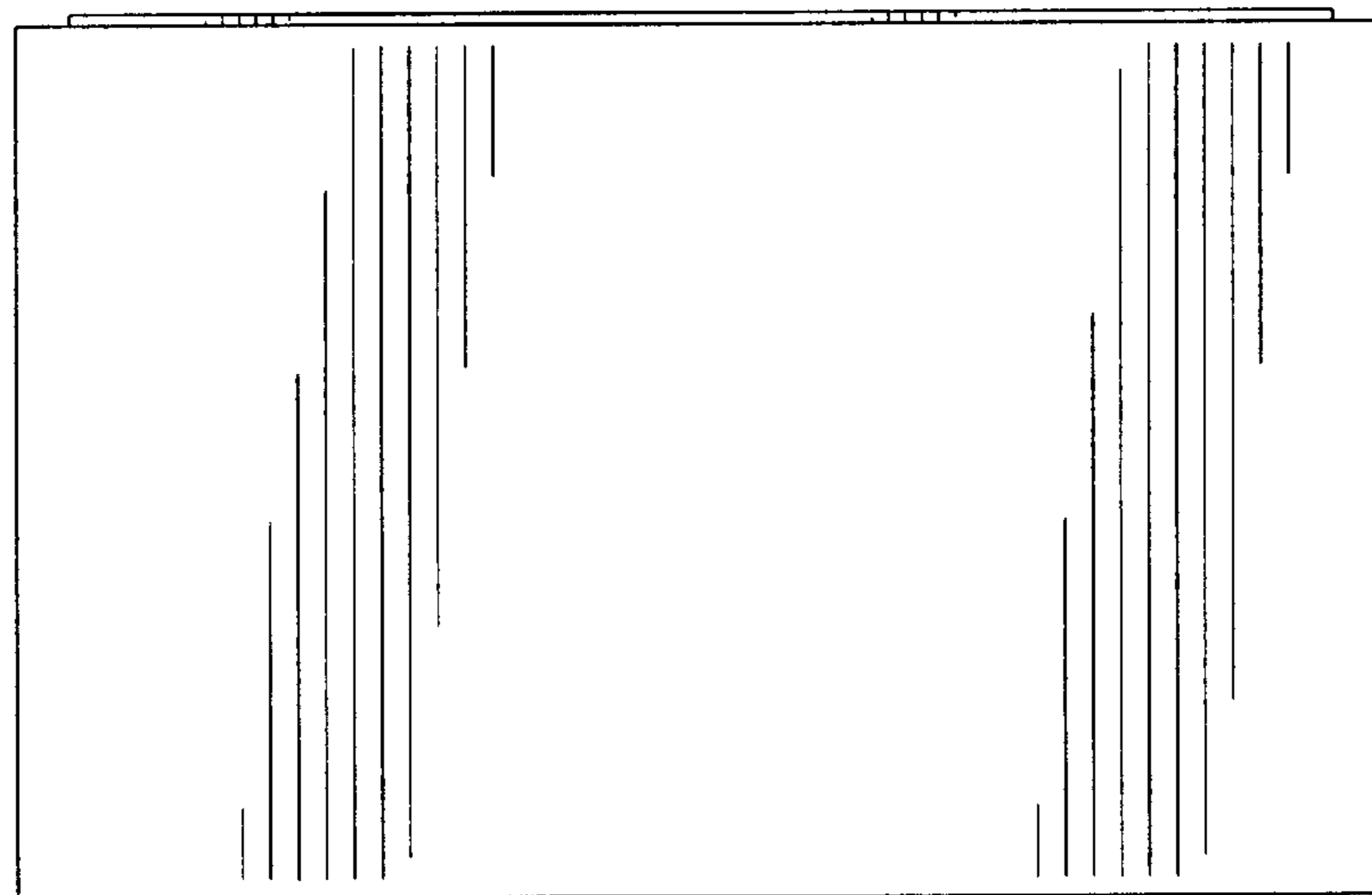


FIG. 5

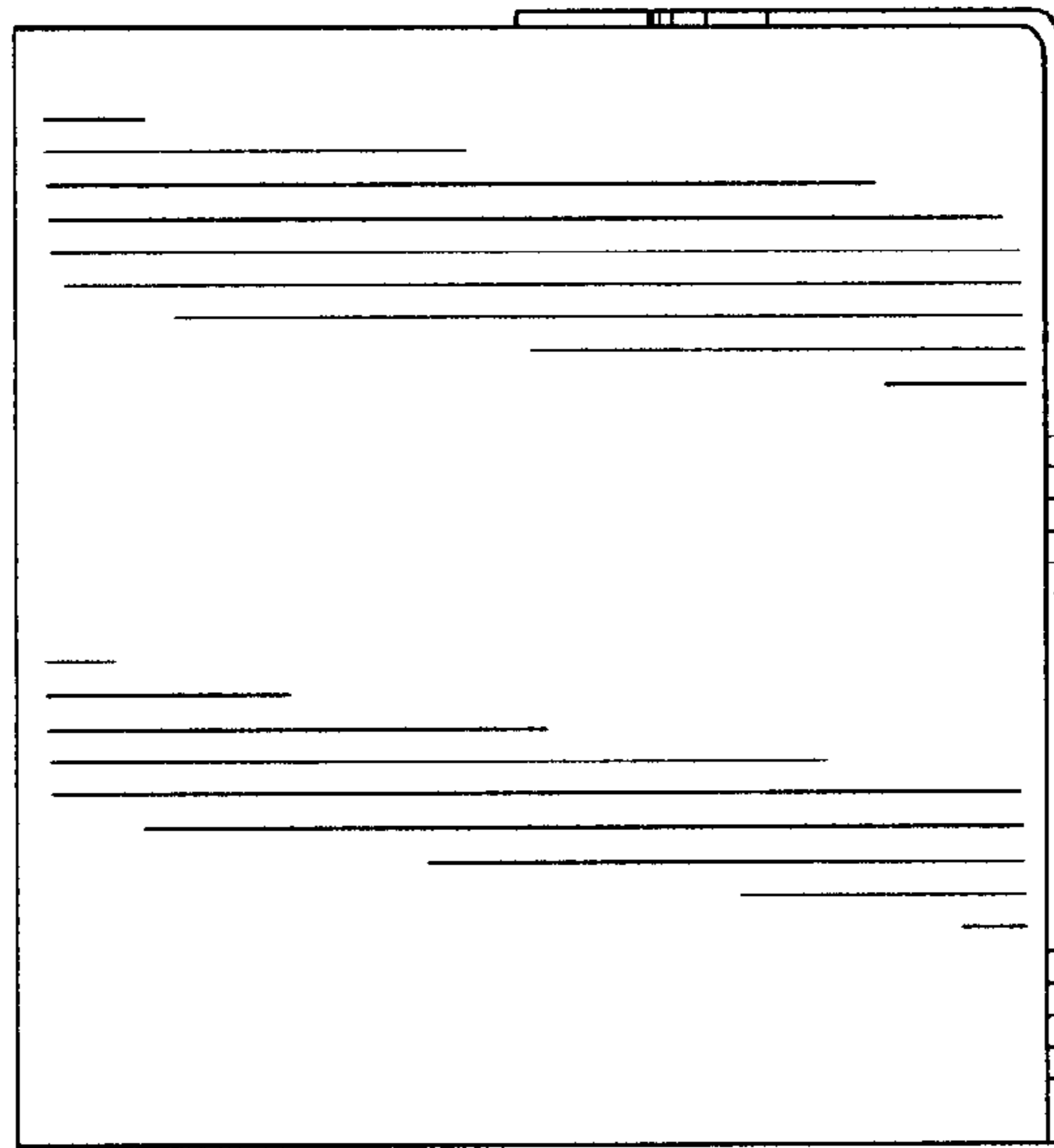


FIG. 6

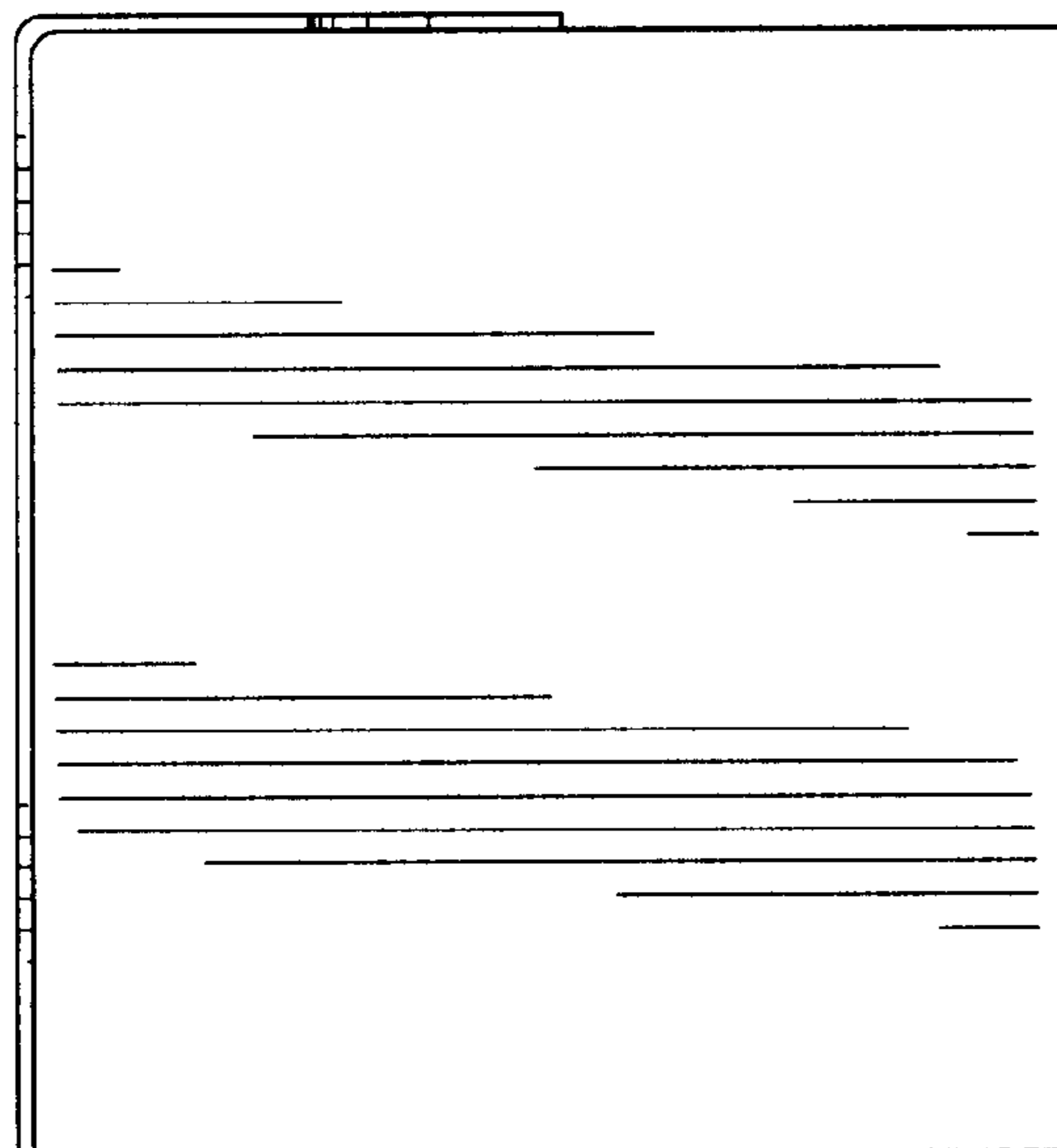


FIG. 7

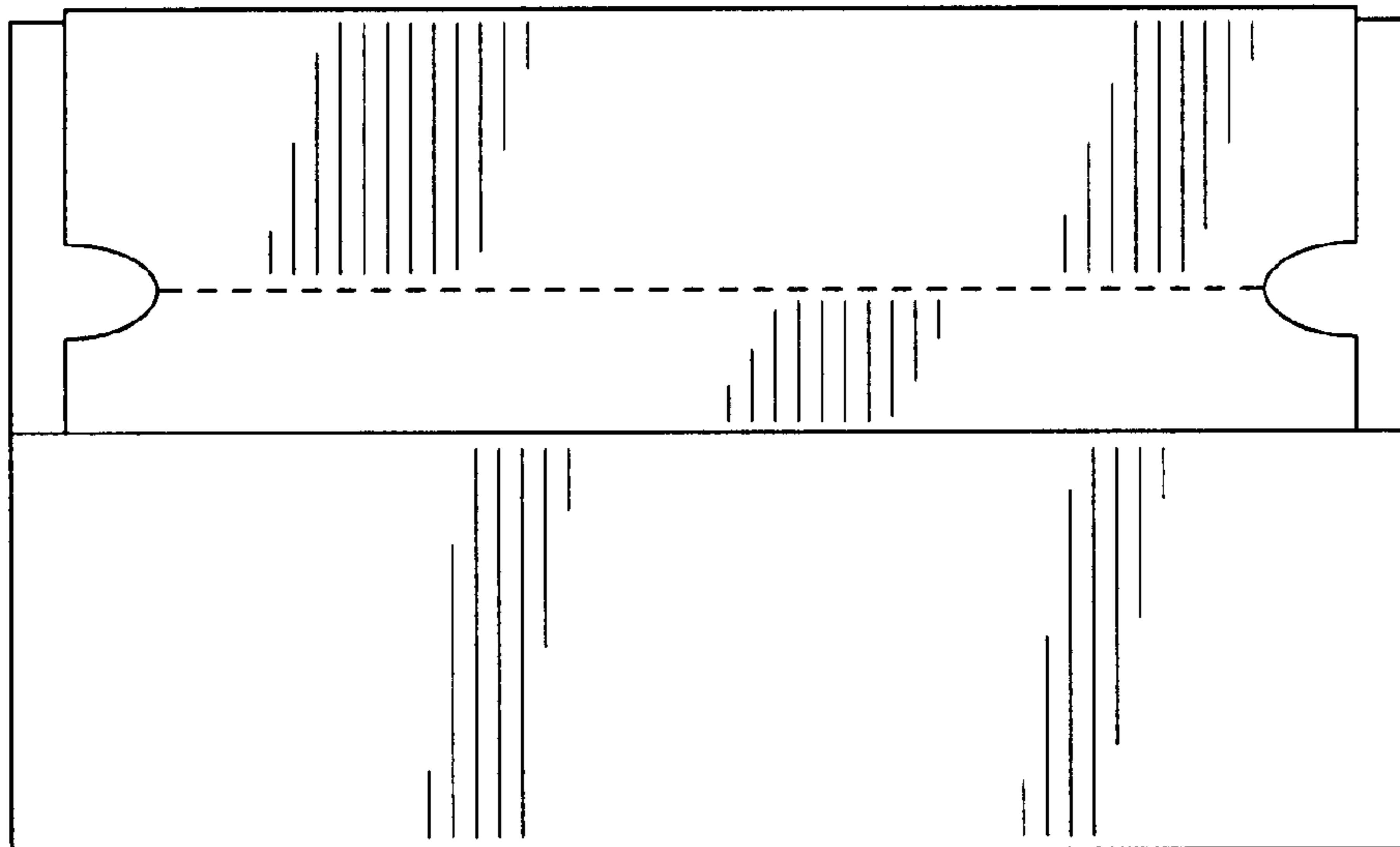


FIG. 8

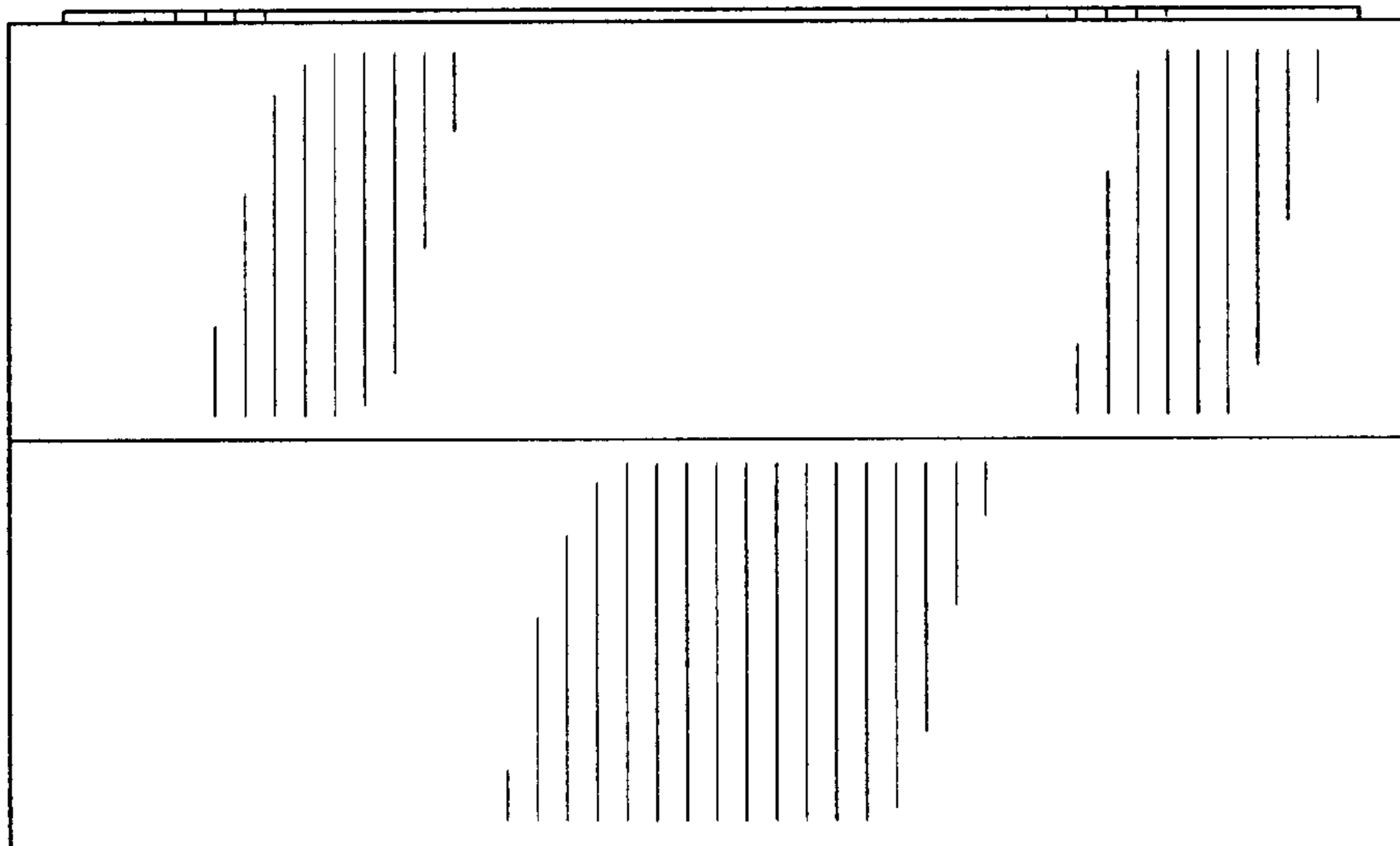


FIG. 9

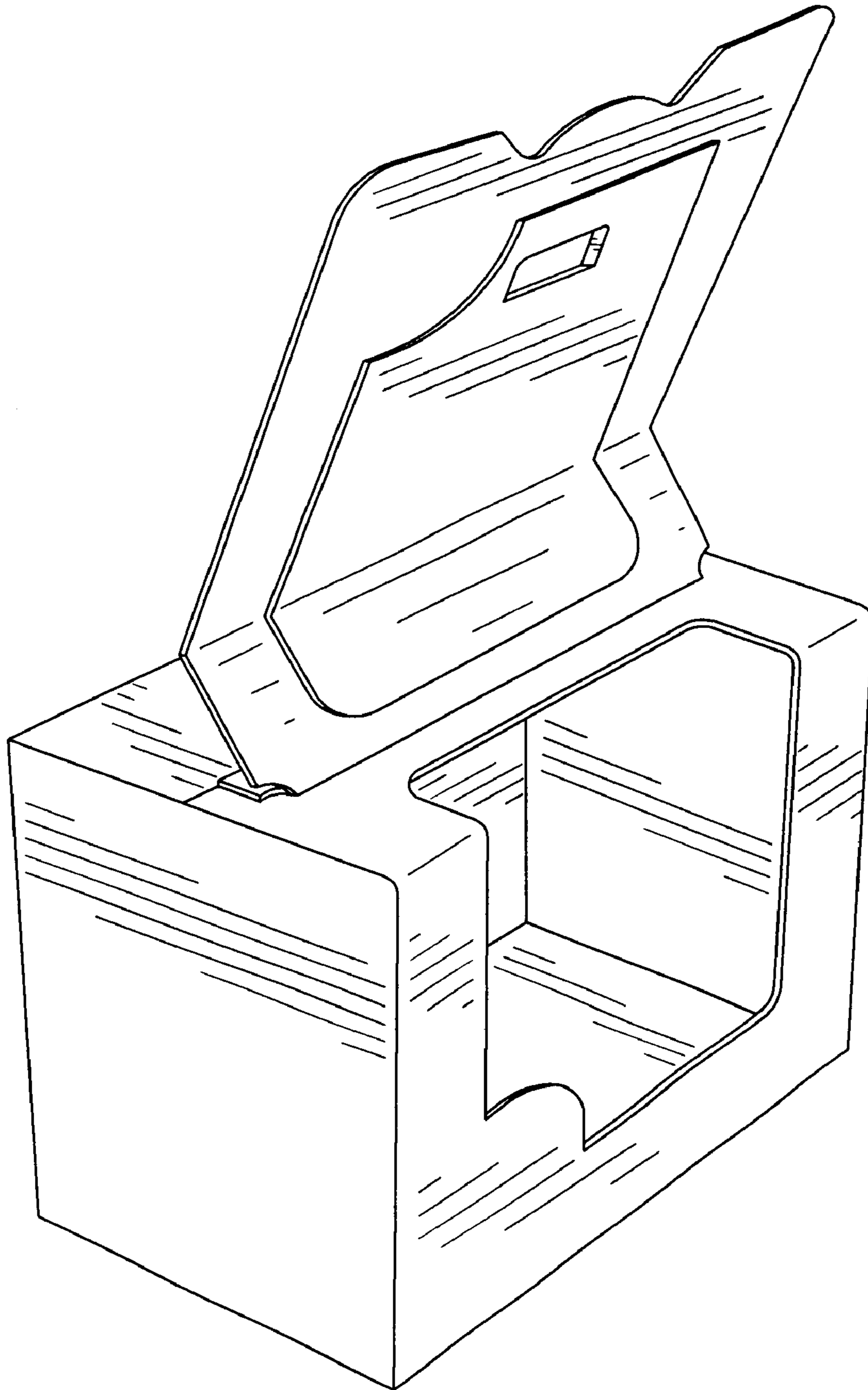


FIG. 10

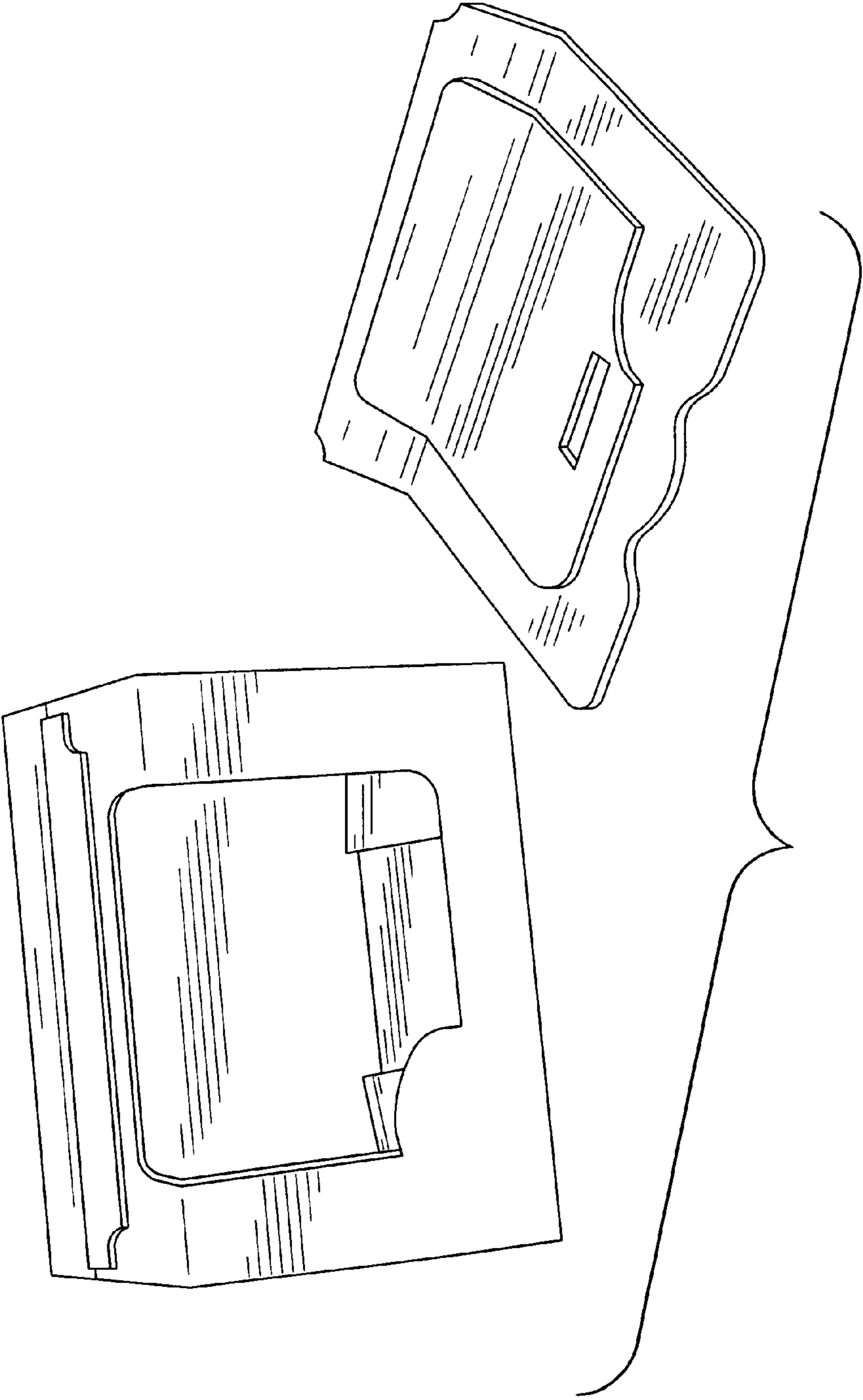


FIG. 11

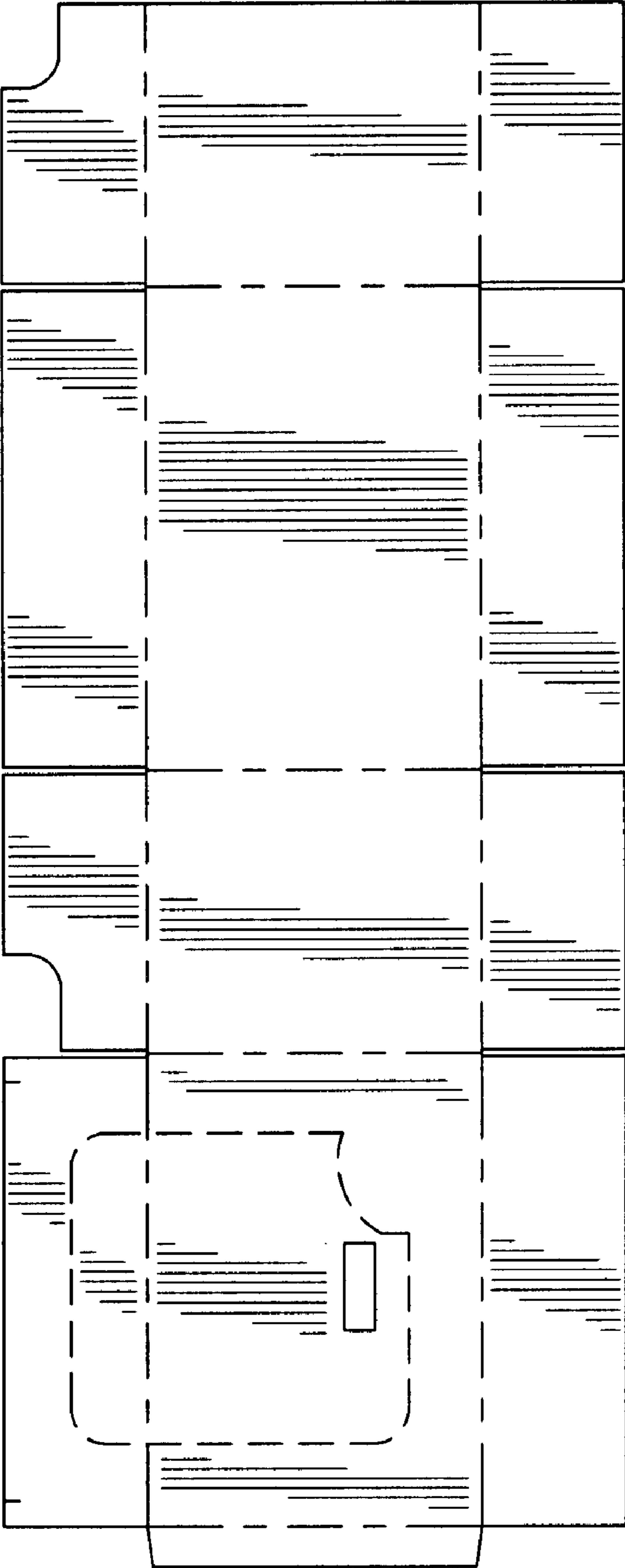


FIG. 12

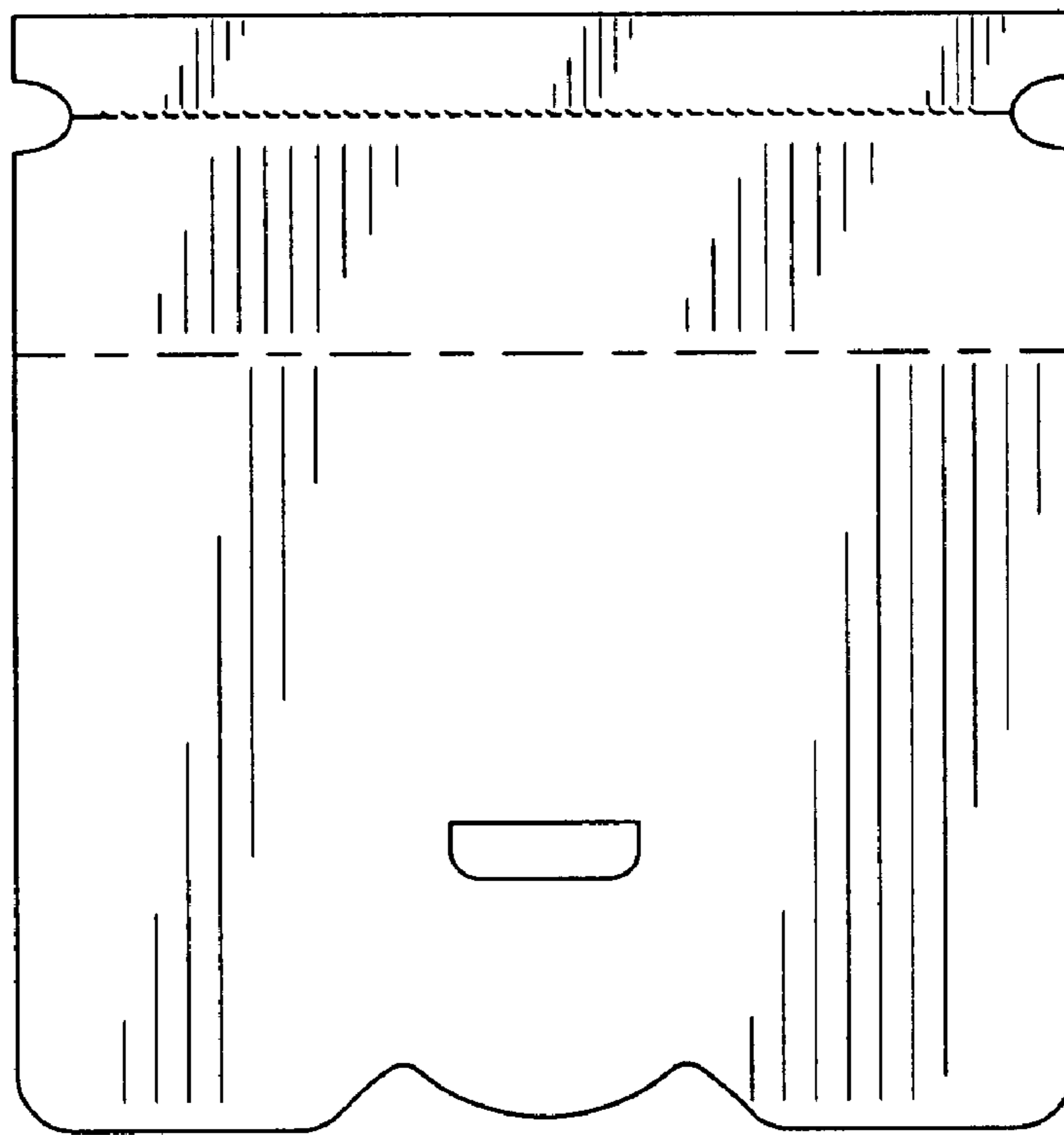


FIG. 13