



US00D503613S

(12) **United States Design Patent**
Yang

(10) **Patent No.:** **US D503,613 S**

(45) **Date of Patent:** **** Apr. 5, 2005**

(54) **PACKAGE FOR HEAT DISSIPATING CREAM**

(76) **Inventor:** **Tim Yang**, 235 Chung-Ho Box 8-24,
Taipei Hsien (TW)

(**) **Term:** **14 Years**

(21) **Appl. No.:** **29/197,026**

(22) **Filed:** **Jan. 6, 2004**

(51) **LOC (7) Cl.** **09-01**

(52) **U.S. Cl.** **D9/339**

(58) **Field of Search** D9/337-339, 414,
D9/424; D19/65, 66; D24/112-114, 141;
206/385, 527; 220/796, 890; 221/282; 222/173,
175, 186, 372, 465.1

(56) **References Cited**

U.S. PATENT DOCUMENTS

D232,296 S	*	8/1974	McNair	D7/669
3,884,231 A	*	5/1975	Peters	604/218
D262,739 S	*	1/1982	Nitshke	D24/130
D263,271 S	*	3/1982	Kalb	D7/669
D323,391 S	*	1/1992	Payne et al.	D24/130
5,305,920 A	*	4/1994	Reiboldt et al.	222/95
D378,406 S	*	3/1997	Kugler	D24/114
D419,671 S	*	1/2000	Jansen	D24/112

D447,797 S	*	9/2001	Odell et al.	D24/112
D487,149 S	*	2/2004	Farris	D24/130
D489,819 S	*	5/2004	Ford	D24/114
2001/0007926 A1	*	7/2001	Trudil	600/573
2003/0058809 A1	*	3/2003	DelDuca et al.	370/315

* cited by examiner

Primary Examiner—Stella Reid

Assistant Examiner—Daniel Bui

(57) **CLAIM**

The ornamental design for a package for heat dissipating cream, as shown and described.

DESCRIPTION

FIG. 1 is a perspective view of a package for heat dissipating cream showing my new design.

FIG. 2 is a right side view thereof.

FIG. 3 is a front elevational view thereof.

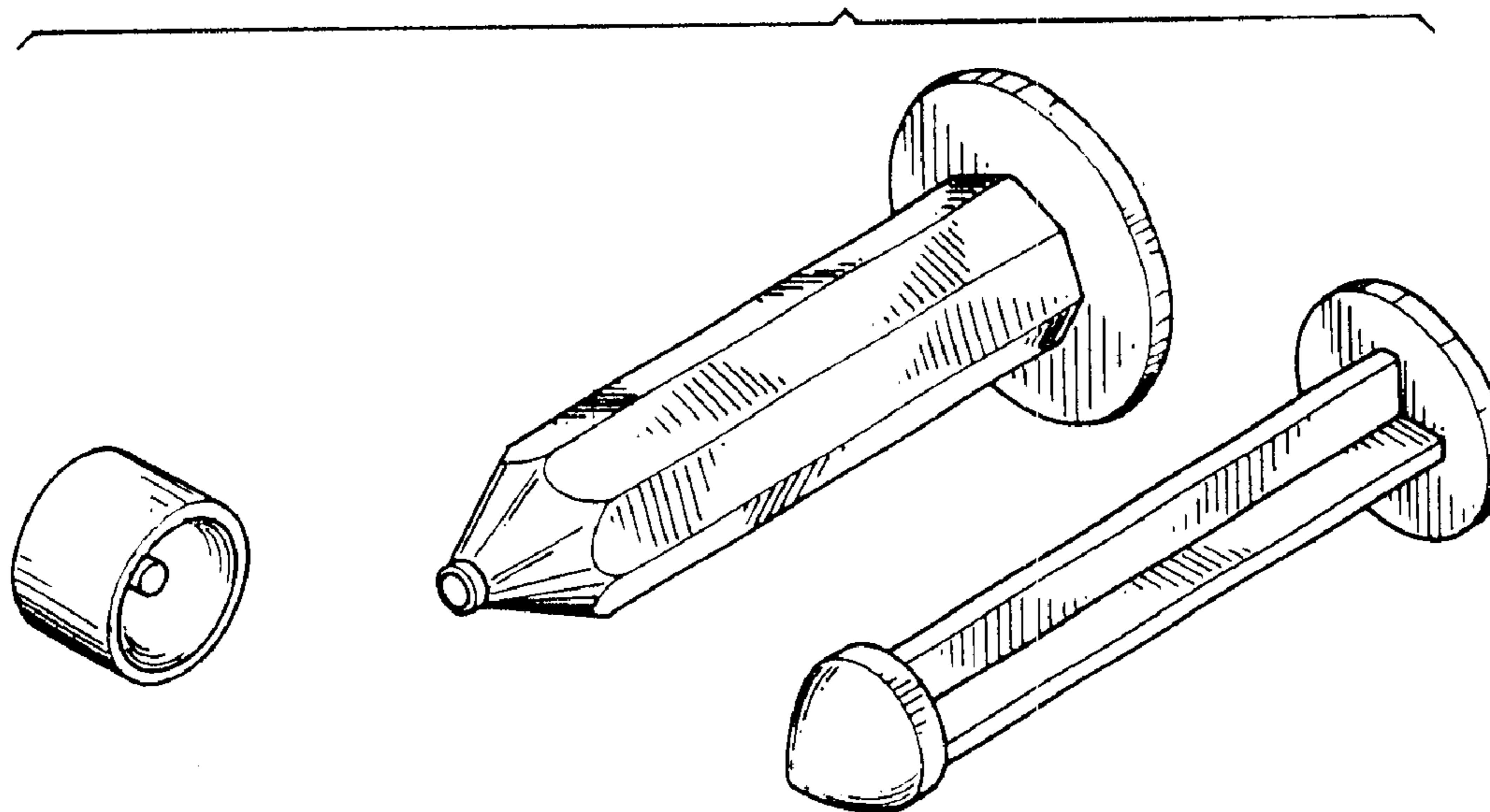
FIG. 4 is a left side view thereof.

FIG. 5 is a rear elevational view thereof.

FIG. 6 is a perspective view thereof, with a cap in closed condition; and,

FIG. 7 is a perspective view thereof, in an exploded condition.

1 Claim, 3 Drawing Sheets



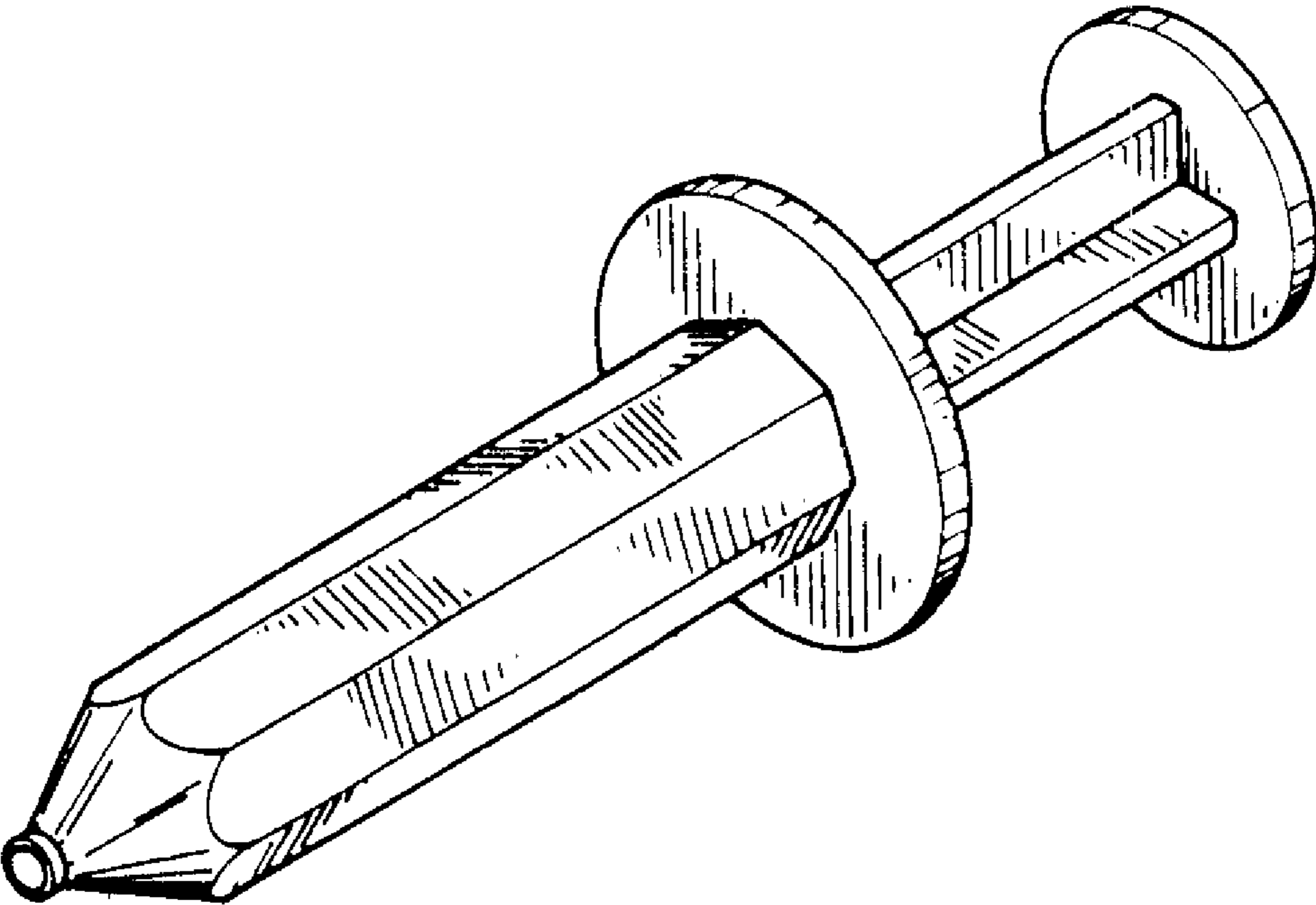


FIG. 1

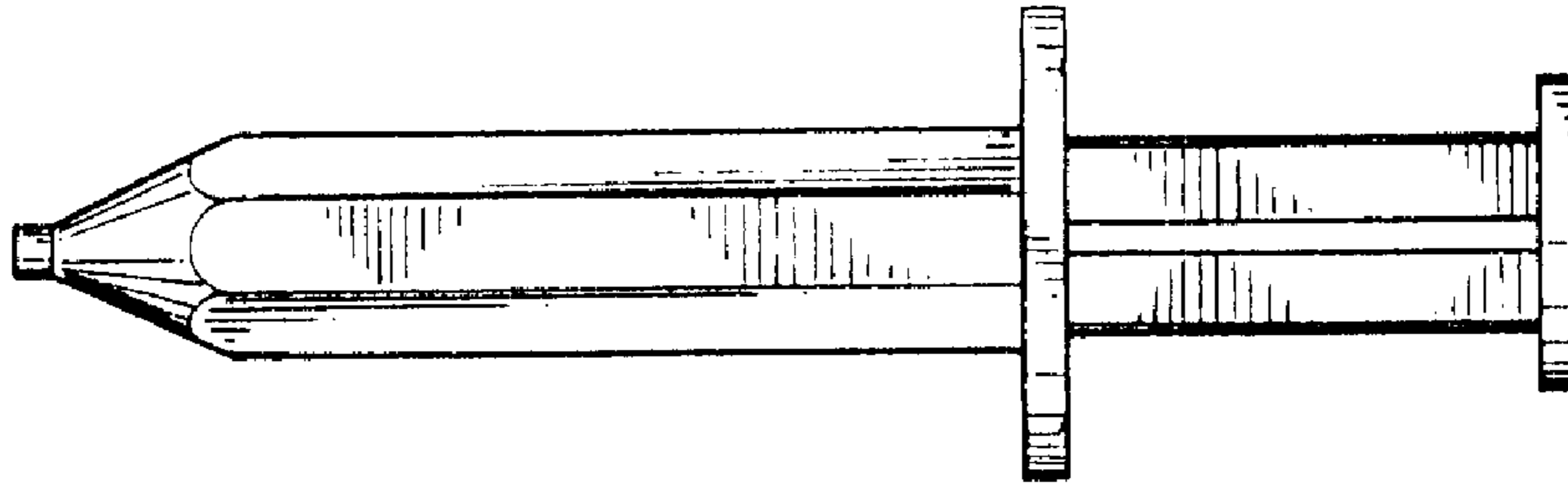


FIG. 2

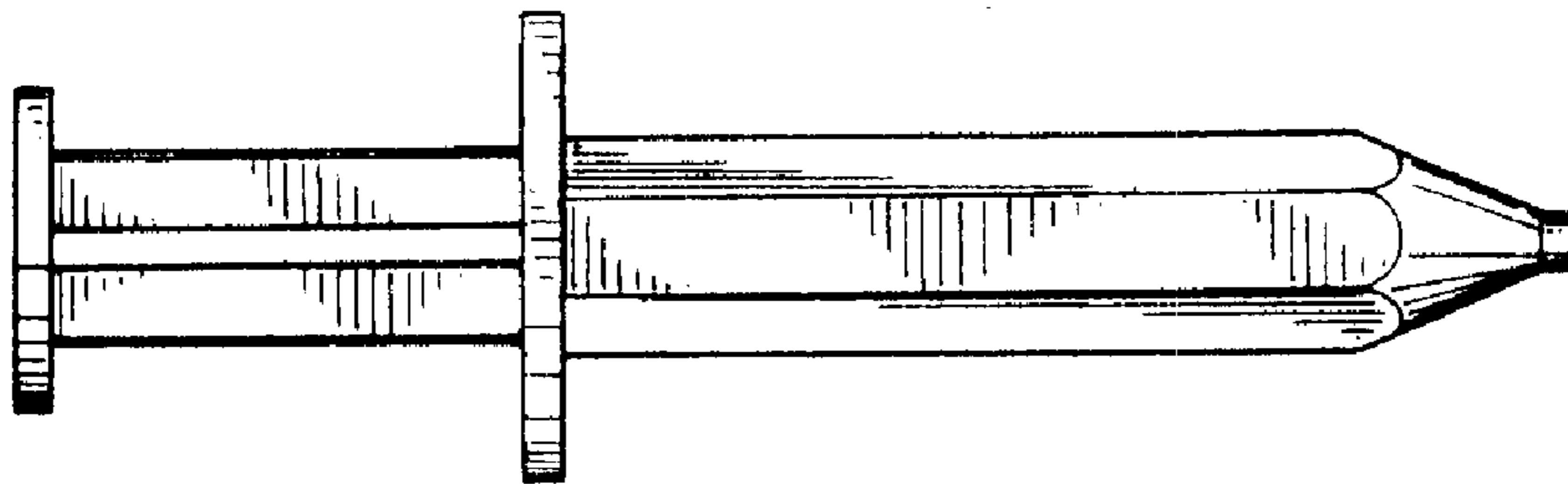


FIG. 4

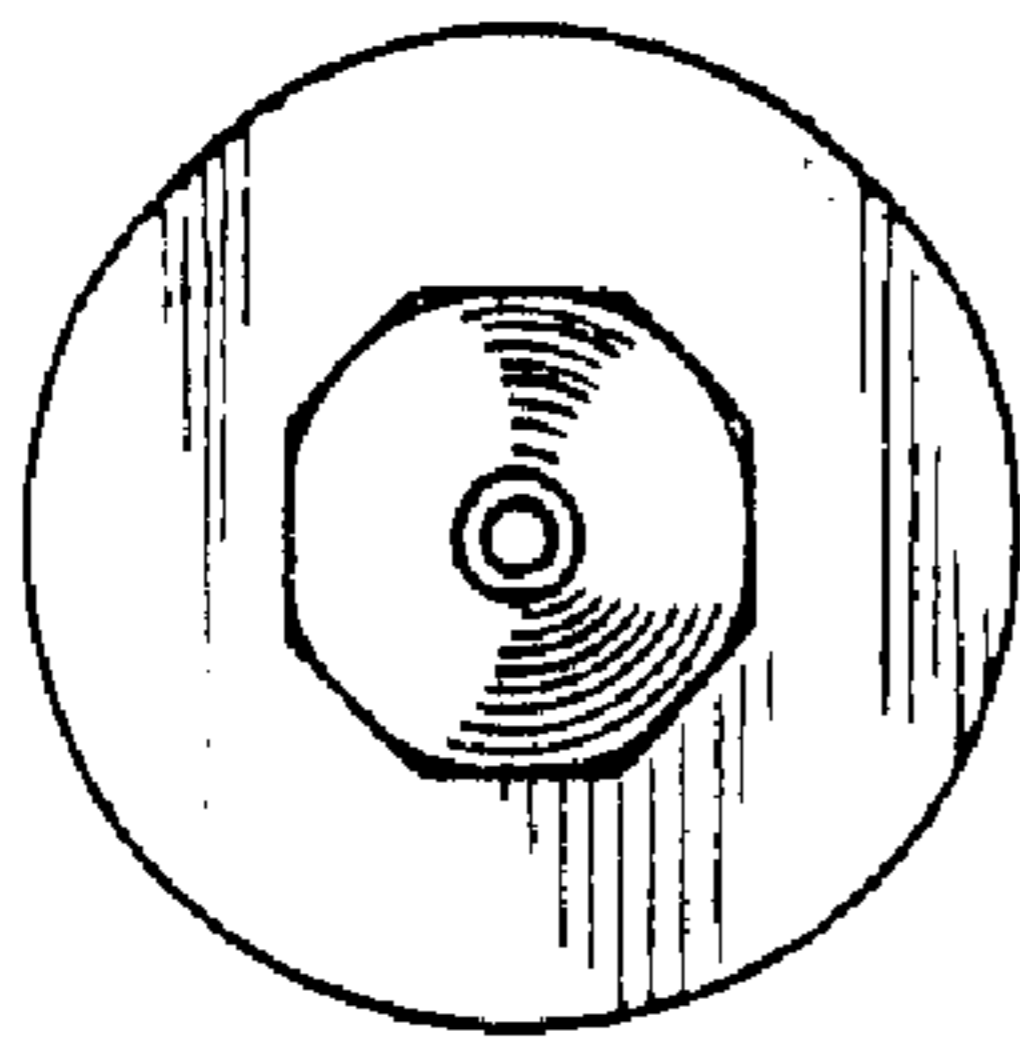


FIG. 3

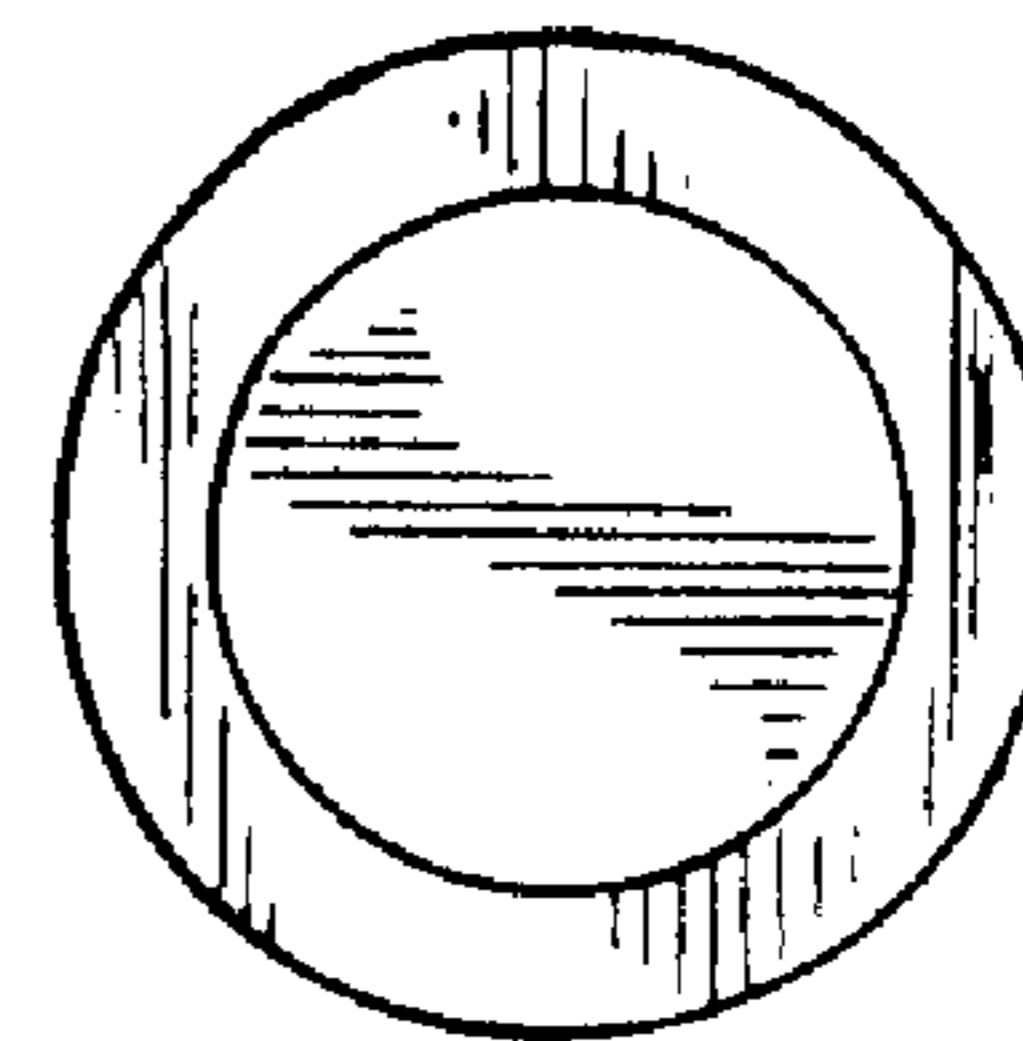


FIG. 5

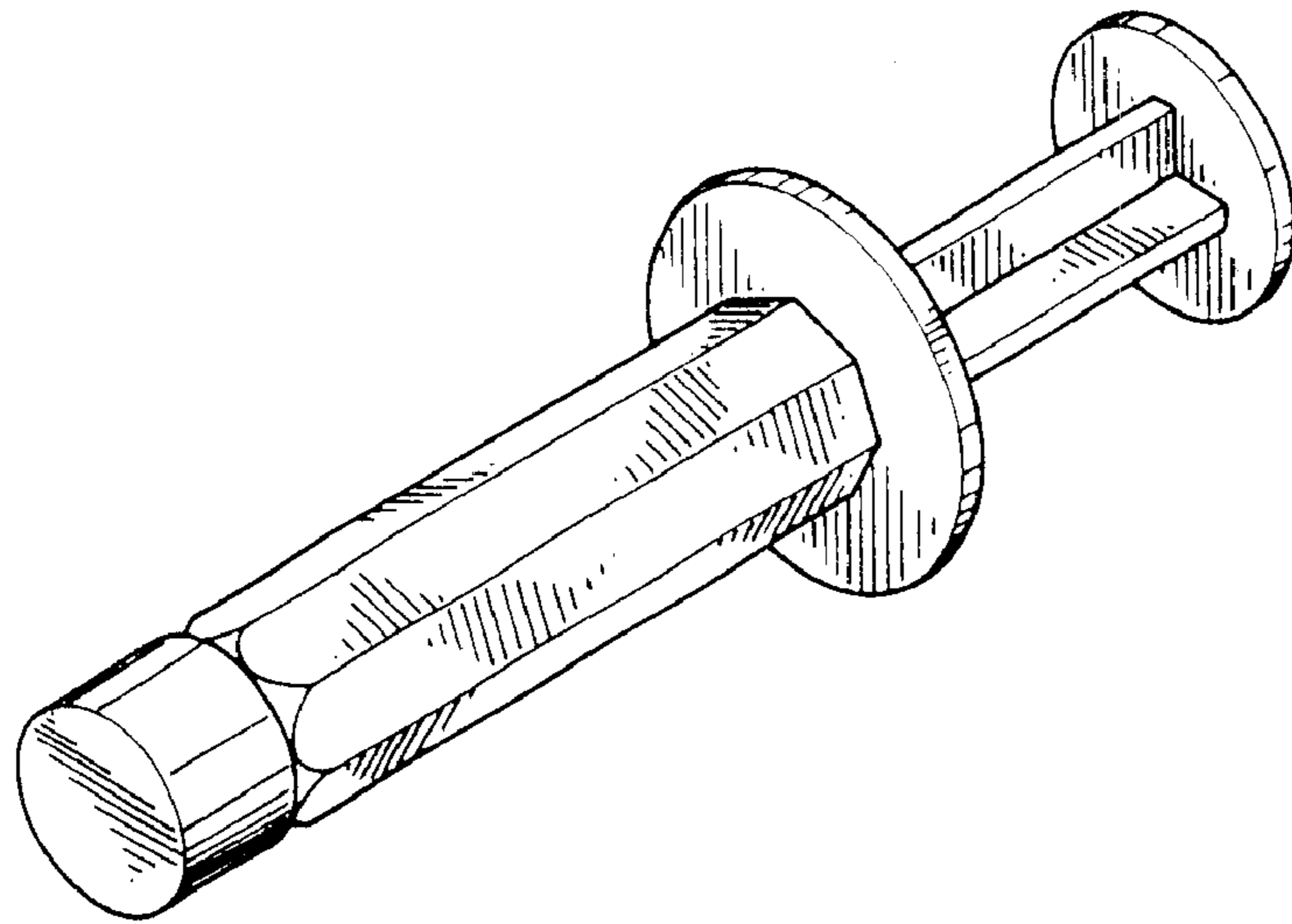


FIG. 6

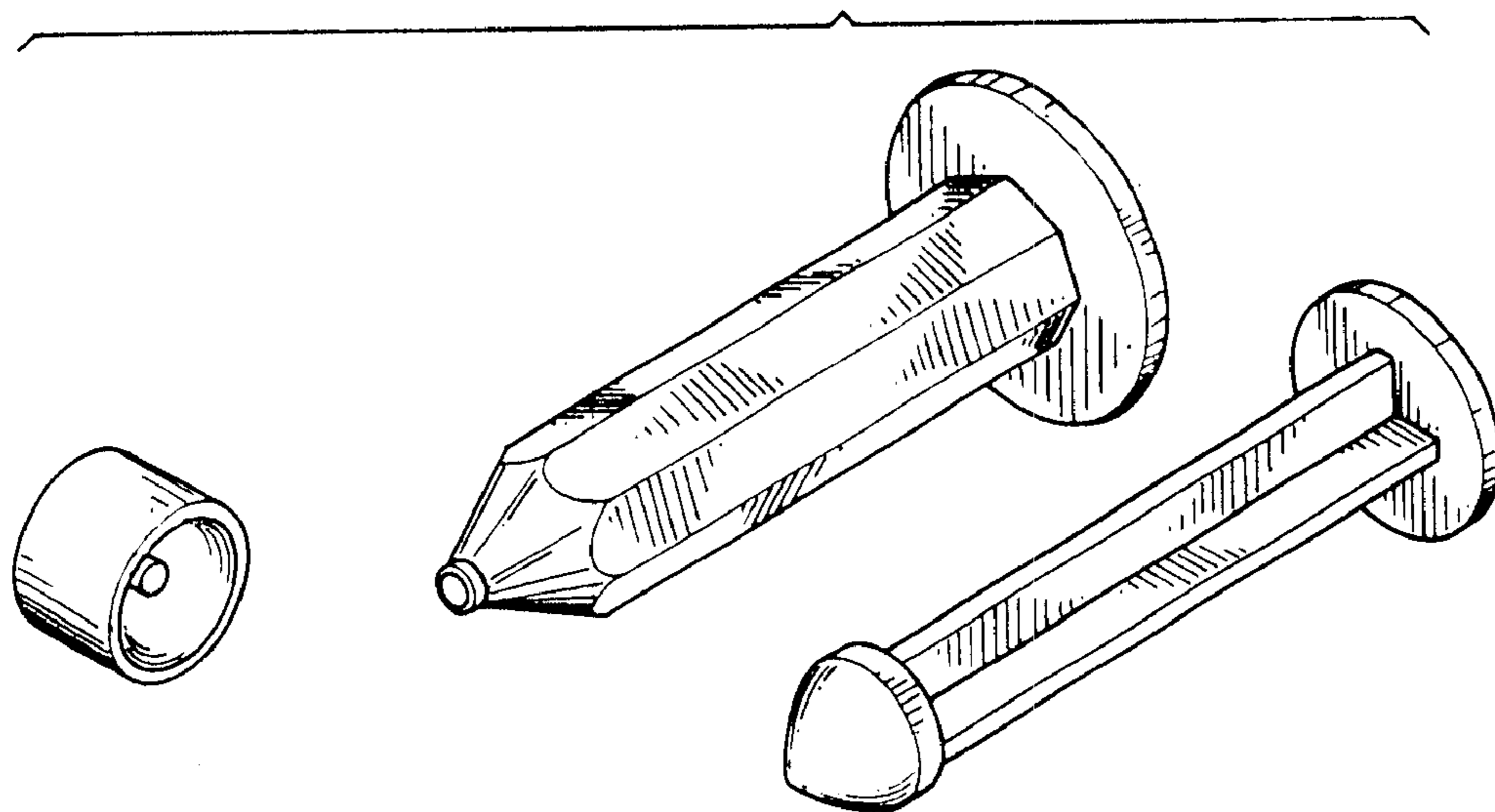


FIG. 7