

US00D503609S

(12) **United States Design Patent** (10) **Patent No.:** **US D503,609 S**
Robbins, III et al. (45) **Date of Patent:** **** Apr. 5, 2005**

(54) **FENCE TIGHTENING SPOOL**

(75) Inventors: **Edward S. Robbins, III**, 2802 E. Avalon Ave., Muscle Shoals, AL (US) 35630; **James R. Tackett**, Florence, AL (US); **Jason Reiff**, North Mankato, MN (US); **John Saylor**, Florence, AL (US); **Harry Raney**, Florence, AL (US)

(73) Assignee: **Edward S. Robbins, III**, Muscle Shoals, AL (US)

(**) Term: **14 Years**

(21) Appl. No.: **29/195,188**

(22) Filed: **Dec. 8, 2003**

(51) **LOC (7) Cl.** **08-05**

(52) **U.S. Cl.** **D8/359; D14/484; D3/24; D8/44**

(58) **Field of Search** D8/358, 359, 44; D22/140, 137; D15/138, 78; D14/484; D3/24; 242/608.6, 588.2, 405.3, 388.4, 388.2, 118.4; 24/71 R, 68 B; 254/213; 256/68

540,125 A 5/1895 Walton
543,853 A 8/1895 Davis
545,255 A 8/1895 Stauffer
565,916 A 8/1896 McKee
567,367 A 9/1896 Truelsen
588,994 A * 8/1897 Huber 242/388.2
590,219 A 9/1897 Grubb
591,732 A 10/1897 Bohner
596,987 A 1/1898 Diller
614,581 A * 11/1898 Shown 24/68 B
638,298 A 12/1899 Tittle
642,462 A 1/1900 Kimmel
643,241 A 2/1900 Snively
664,771 A 12/1900 McCallum
669,506 A 3/1901 Clark
708,196 A 9/1902 Bradbury
795,286 A 7/1905 Knox
801,529 A 10/1905 Koontz
839,311 A 12/1906 Nepean-Hutchison
923,494 A 6/1909 Cummings
931,486 A 8/1909 Rankin
963,659 A 7/1910 Stambaugh
973,034 A 10/1910 Graham
1,264,011 A 4/1918 Caughey

(Continued)

(56) **References Cited**
U.S. PATENT DOCUMENTS

75,759 A 3/1868 Hewett, Jr.
83,038 A 10/1868 Chaplin
126,939 A 5/1872 Denmark et al.
192,494 A 6/1877 Duffey
227,443 A 5/1880 Murray
290,384 A 12/1883 Wtwood
301,037 A 6/1884 Worcester
327,126 A 9/1885 Walker
402,439 A 4/1889 Haas
403,977 A 5/1889 Aickers
420,819 A 2/1890 Merchant
430,581 A 6/1890 Kiler
473,899 A 5/1892 Berdan
479,817 A 8/1892 Kramer
491,743 A 2/1893 Pratt
497,996 A 5/1893 Weiennett
500,003 A 6/1893 Patton

Primary Examiner—Jeffrey Asch
Assistant Examiner—Austin Murphy
(74) *Attorney, Agent, or Firm*—Brinks Hofer Gilson Lione

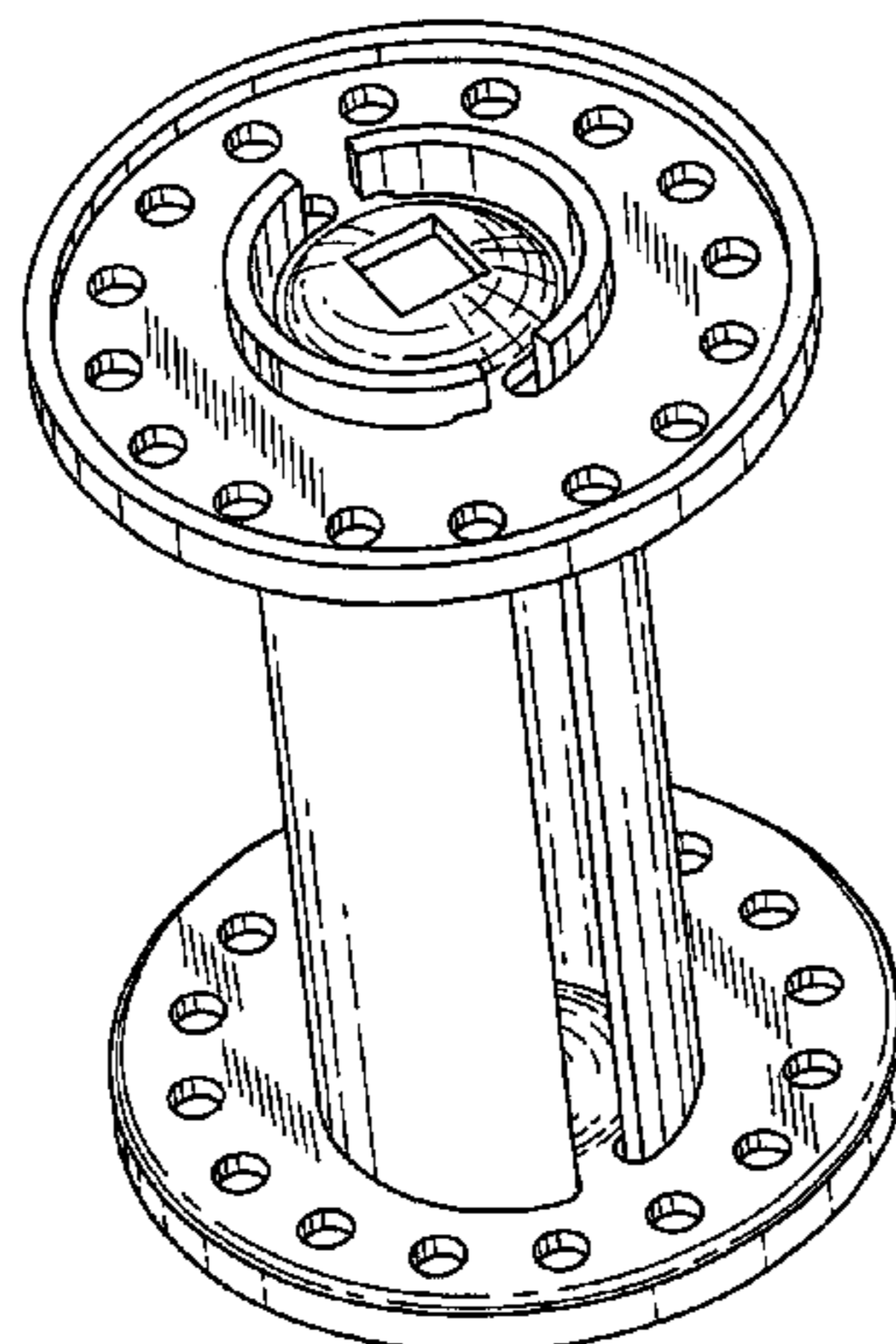
(57) **CLAIM**

We claim the ornamental design for a fence tightening spool, as shown and described.

DESCRIPTION

FIG. 1 is a perspective view of a fence tightening spool of the present invention.
FIG. 2 is a side elevation view of the fence tightening spool shown in FIG. 1, the opposite side being identical.
FIG. 3 is a side elevation view taken 90° from FIG. 2, the opposite side being identical; and,
FIG. 4 is a top plan view of the fence tightening spool shown in FIG. 1, the bottom plan view being identical.

1 Claim, 4 Drawing Sheets



US D503,609 S

Page 2

U.S. PATENT DOCUMENTS

1,811,517 A *	6/1931	Mossberg	242/608.8	4,330,005 A *	5/1982	Kjarsgaard	137/355.28
1,842,143 A *	1/1932	Bowen	242/118.4	4,700,434 A	10/1987	Fambrough	
1,982,444 A *	11/1934	Miller	242/388.2	RE32,707 E	7/1988	Robbins, Jr.	
1,998,185 A	4/1935	Broderick		D300,205 S *	3/1989	Watson	D8/358
2,051,735 A	8/1936	Michelson		5,000,396 A *	3/1991	Barrella	396/387
2,487,726 A *	11/1949	Powell	242/118.4	D334,882 S *	4/1993	Bunch	D8/359
2,527,877 A	10/1950	Docken		5,310,276 A	5/1994	Bergers et al.	
2,642,639 A *	6/1953	Meighan et al.	24/68 B	D353,643 S *	12/1994	Shipley	D22/140
2,686,017 A *	8/1954	Roseman	242/118.4	5,409,196 A	4/1995	Specht	
2,710,998 A	6/1955	Meighan et al.		5,660,377 A	8/1997	Specht	
2,859,944 A	11/1958	Cisney		5,695,148 A *	12/1997	Christensen	242/405.3
3,009,719 A	11/1961	Otto et al.		D390,093 S	2/1998	Spear et al.	
3,461,413 A *	8/1969	Wood et al.	336/84 R	D399,857 S *	10/1998	Kanemichi	D15/138
3,497,050 A *	2/1970	Landgraf	400/242	6,045,087 A *	4/2000	Vislocky et al.	242/608.6
D243,746 S *	3/1977	Youngblood	D8/359	6,102,321 A	8/2000	Clary	
4,016,921 A	4/1977	Ericksen		6,152,429 A	11/2000	Pettigrew	
D244,943 S *	7/1977	Balmer, Jr.	D14/484	D443,017 S *	5/2001	Alden	D22/140
4,072,278 A *	2/1978	Petersen	242/388.4	6,431,487 B1 *	8/2002	Wall	242/388.2
4,090,472 A	5/1978	York		6,457,669 B1 *	10/2002	Chuang	242/588.2
4,171,796 A	10/1979	Forbush		6,554,217 B1	4/2003	Rodriguez	
4,262,884 A	4/1981	Binns et al.		2003/0218162 A1 *	11/2003	Tackett et al.	256/68
D260,420 S *	8/1981	Radocy	D22/137				

* cited by examiner

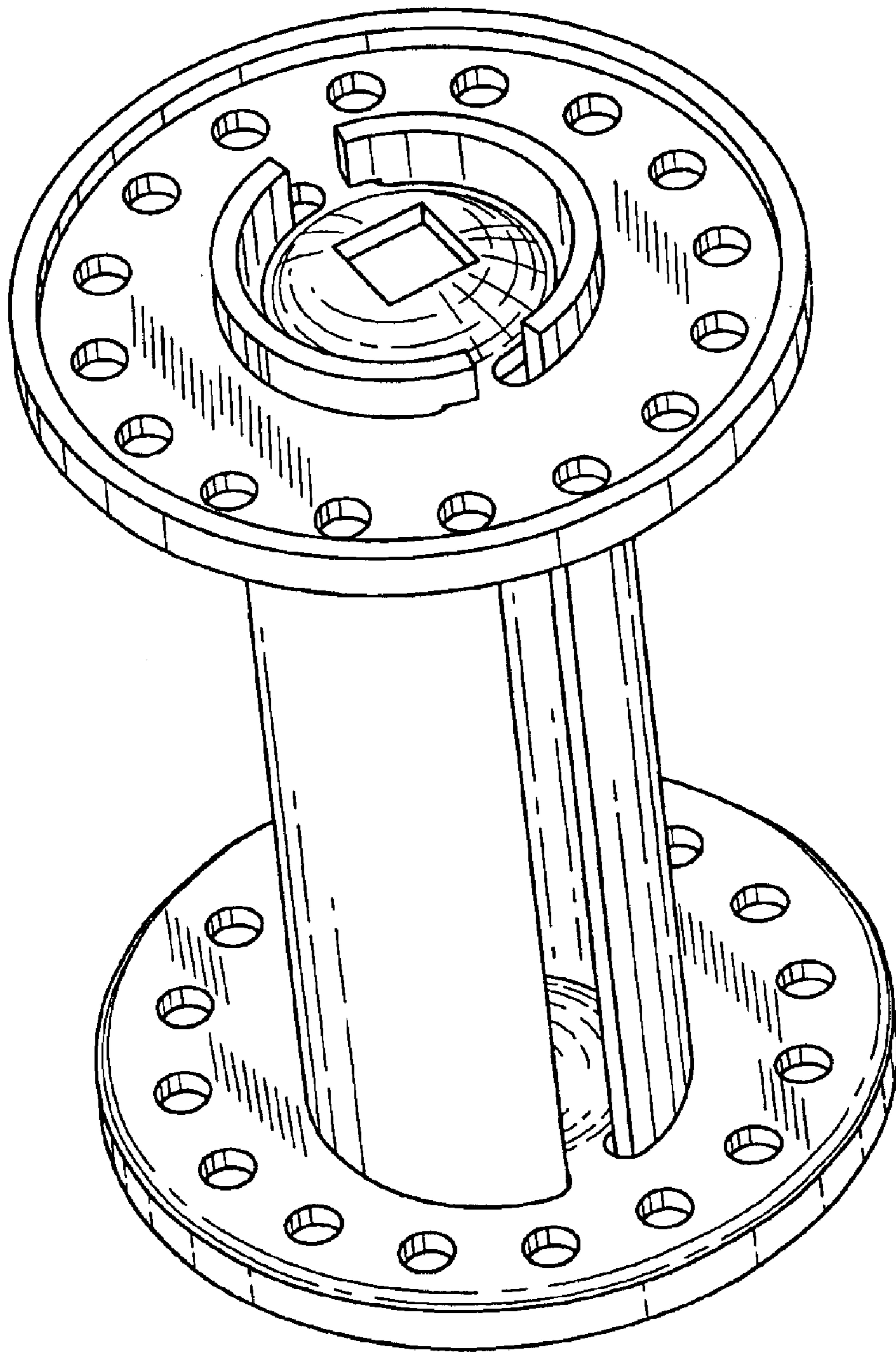


Fig. 1

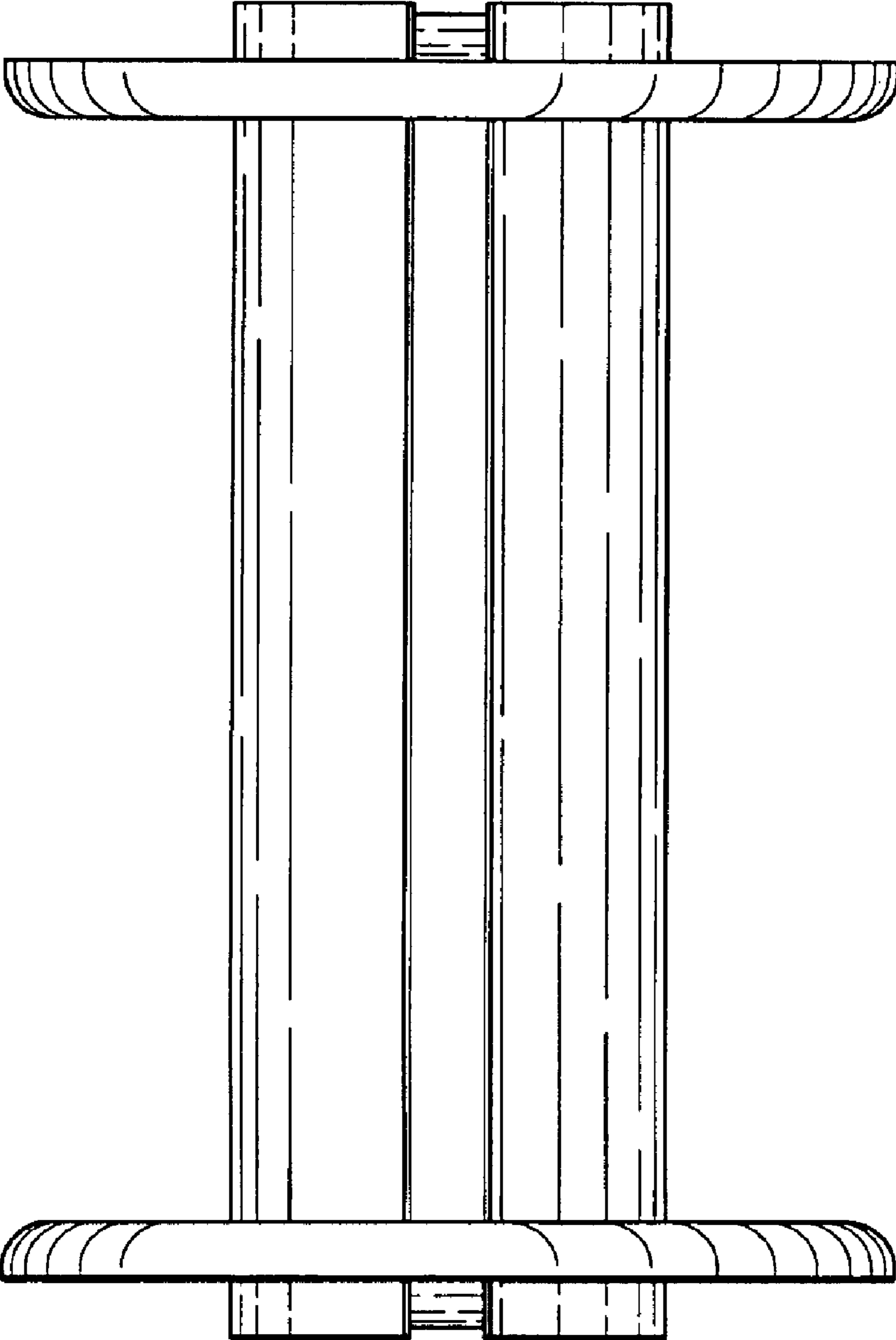


Fig. 2

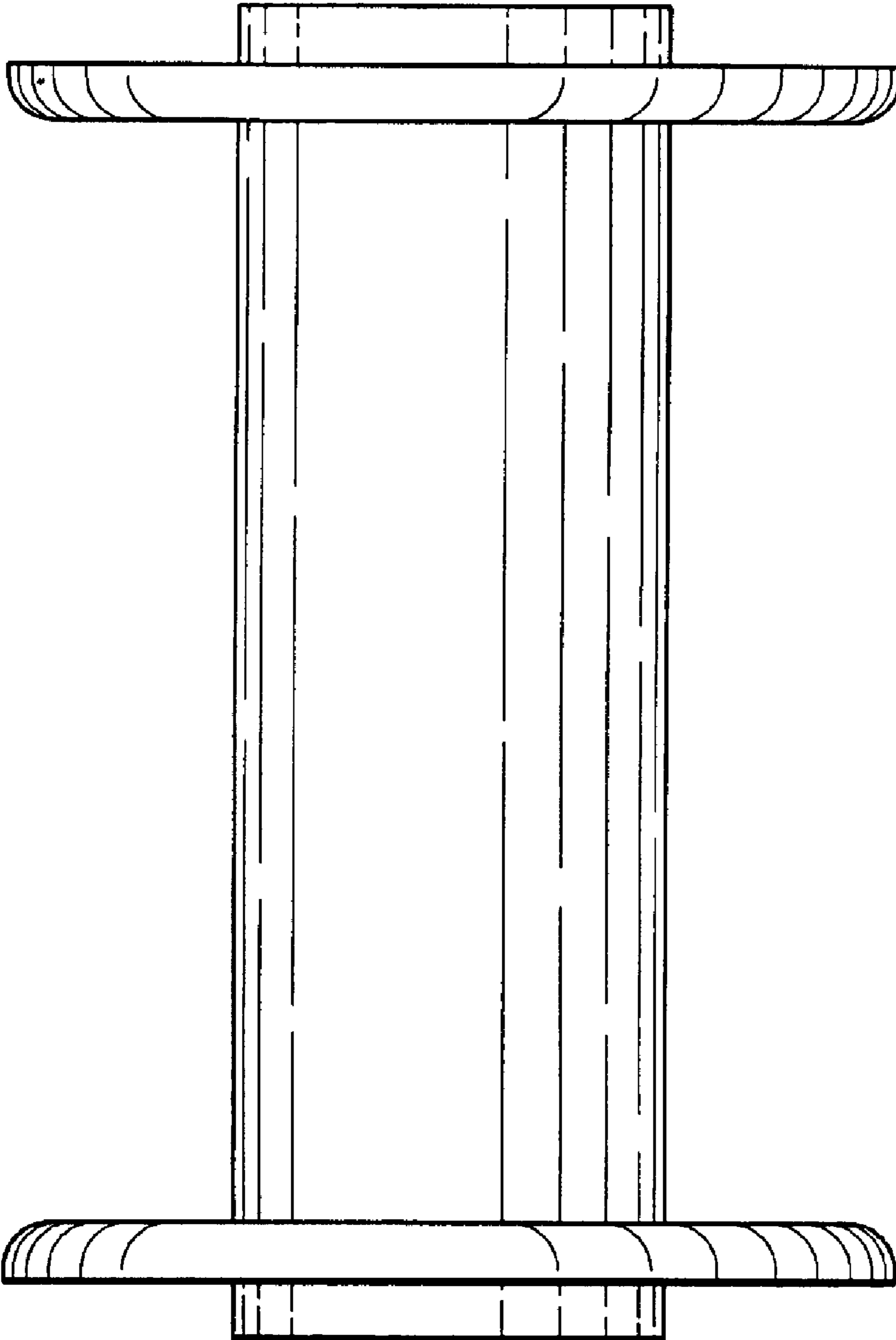


Fig. 3

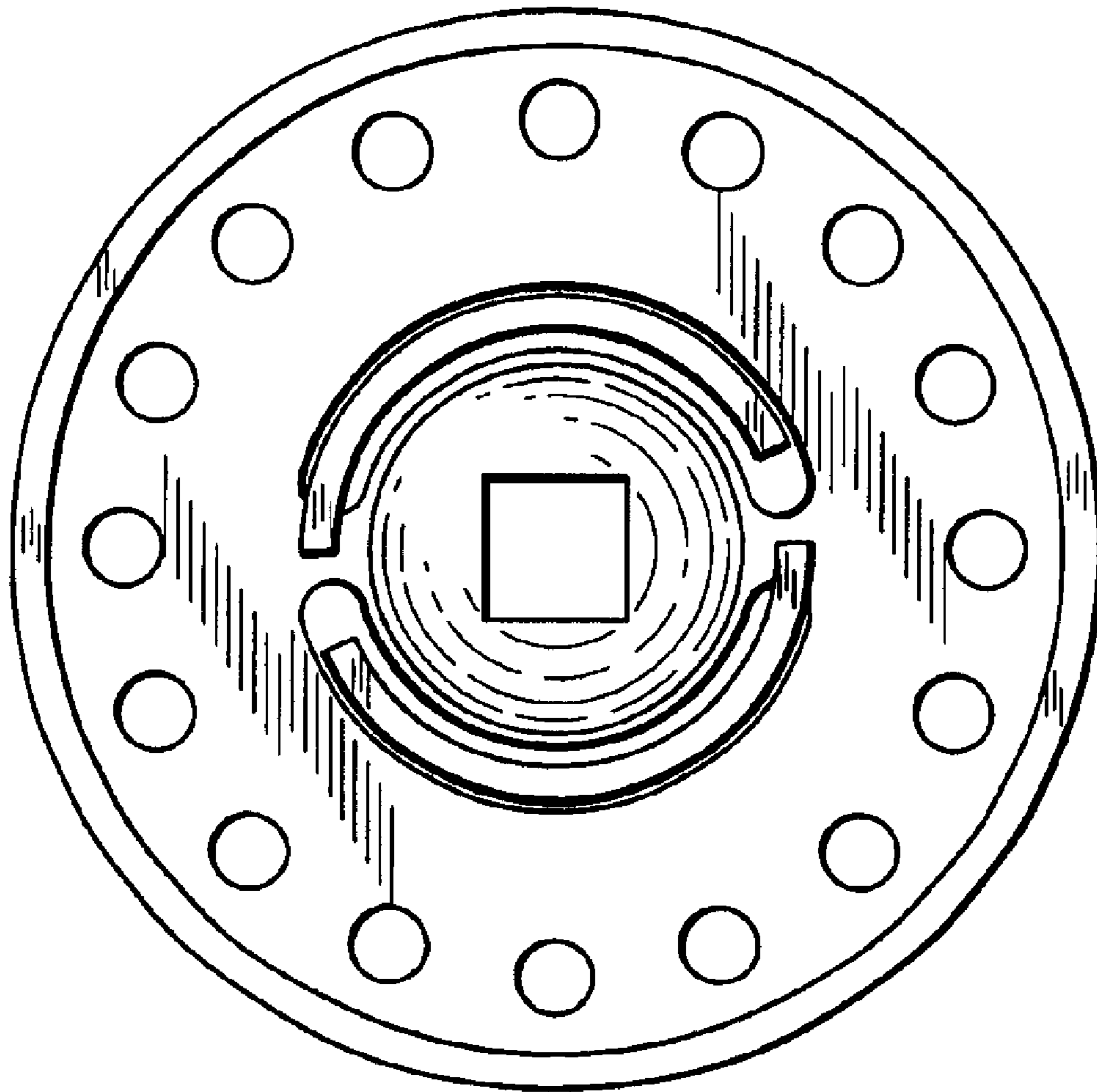


Fig. 4

UNITED STATES PATENT AND TRADEMARK OFFICE
CERTIFICATE OF CORRECTION

PATENT NO. : Des. 503,609 S
DATED : April 5, 2005
INVENTOR(S) : Edward S. Robbins, III et al.

Page 1 of 1

It is certified that error appears in the above-identified patent and that said Letters Patent is hereby corrected as shown below:

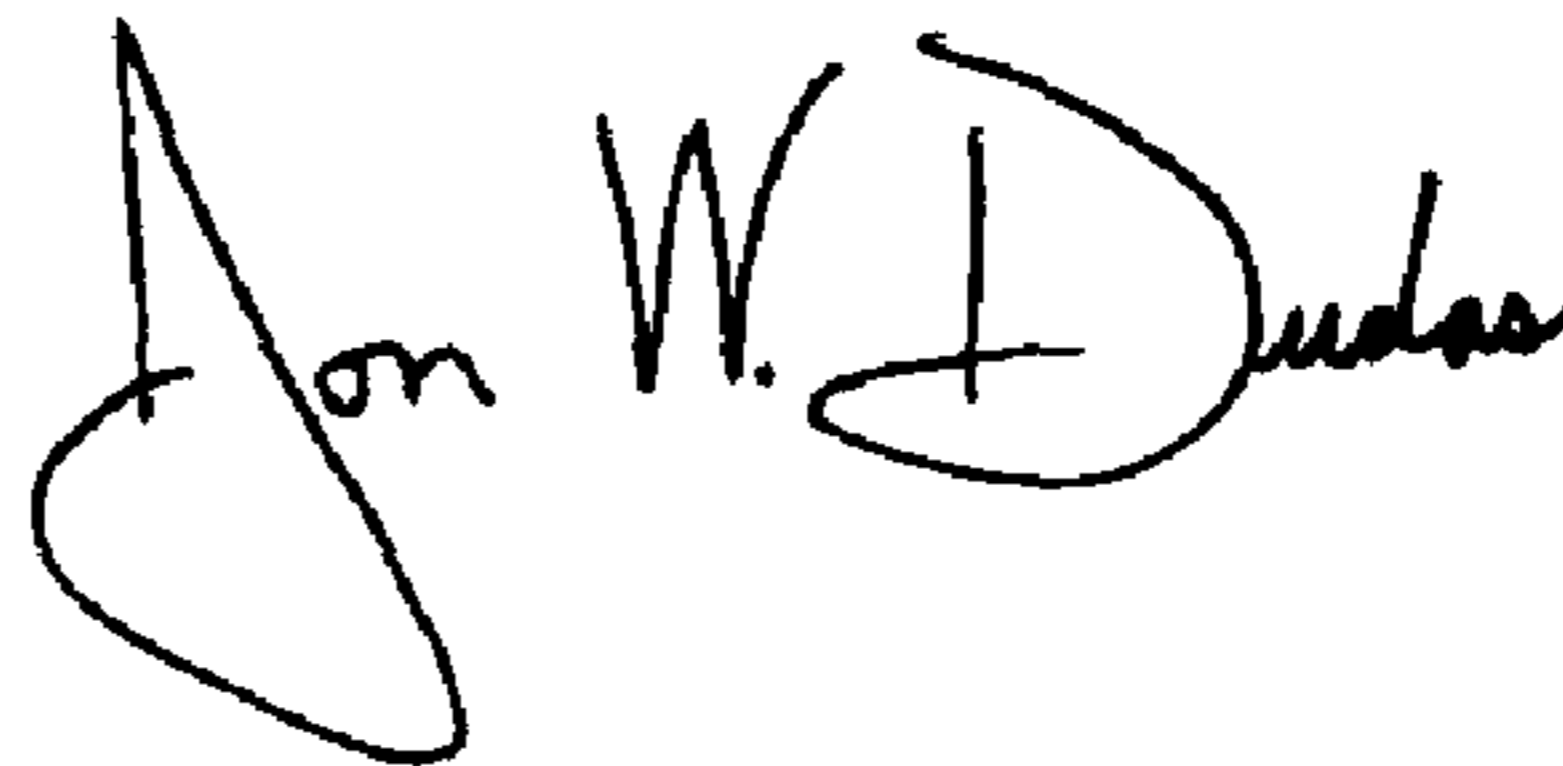
Title page.

Item [75], Inventor, "North Mankato, MN" is deleted and replaced with
-- Florence, AL --

Item [56], **References Cited**, U.S. PATENT DOCUMENTS, "Wtwood" should read
-- Atwood -- and "Aickers" should read -- Wickers --

Signed and Sealed this

Seventh Day of June, 2005

A handwritten signature in black ink that reads "Jon W. Dudas". The signature is written in a cursive style with a large, looped initial "J".

JON W. DUDAS

Director of the United States Patent and Trademark Office