

US00D503606S

(12) **United States Design Patent**
McKain

(10) **Patent No.: US D503,606 S**

(45) **Date of Patent: ** Apr. 5, 2005**

(54) **INSULATED NUT DRIVER**

(76) **Inventor: William Alexander McKain, P.O. Box 115, Cortland, IN (US) 47228**

(**) **Term: 14 Years**

(21) **Appl. No.: 29/177,726**

(22) **Filed: Mar. 17, 2003**

(51) **LOC (7) Cl. 08-03**

(52) **U.S. Cl. D8/82; D8/21**

(58) **Field of Search D8/82, 83, 84, D8/85, 86, 87, 21, 29; 81/177.1, 185, 436, 437, 121.1, 124.1**

(56) **References Cited**

U.S. PATENT DOCUMENTS

3,262,338 A	*	7/1966	Mahall	76/114
3,286,749 A		11/1966	Learned	81/125
4,858,504 A		8/1989	Tsai	81/436
D310,472 S	*	9/1990	Mader et al.	D8/82
5,163,345 A	*	11/1992	Doan et al.	81/125

5,259,277 A		11/1993	Zurbuchen	81/177.1
5,359,911 A		11/1994	Kruesi	81/436
5,628,556 A	*	5/1997	Hrabar et al.	362/578
D397,599 S	*	9/1998	Stamp	D8/29
6,318,875 B1	*	11/2001	Hrabar et al.	362/119
6,427,563 B1	*	8/2002	Zurbuchen et al.	81/177.1

* cited by examiner

Primary Examiner—Philip S. Hyder

(74) *Attorney, Agent, or Firm*—Richard L. Mikesell

(57) **CLAIM**

The ornamental design for an insulated nut driver, as shown and described.

DESCRIPTION

FIG. 1 is a top right perspective view of an insulated nut driver, showing my new design;
FIG. 2 is a right side elevation view thereof;
FIG. 3 is a rear elevation view thereof; and,
FIG. 4 is a front elevation view.

1 Claim, 1 Drawing Sheet

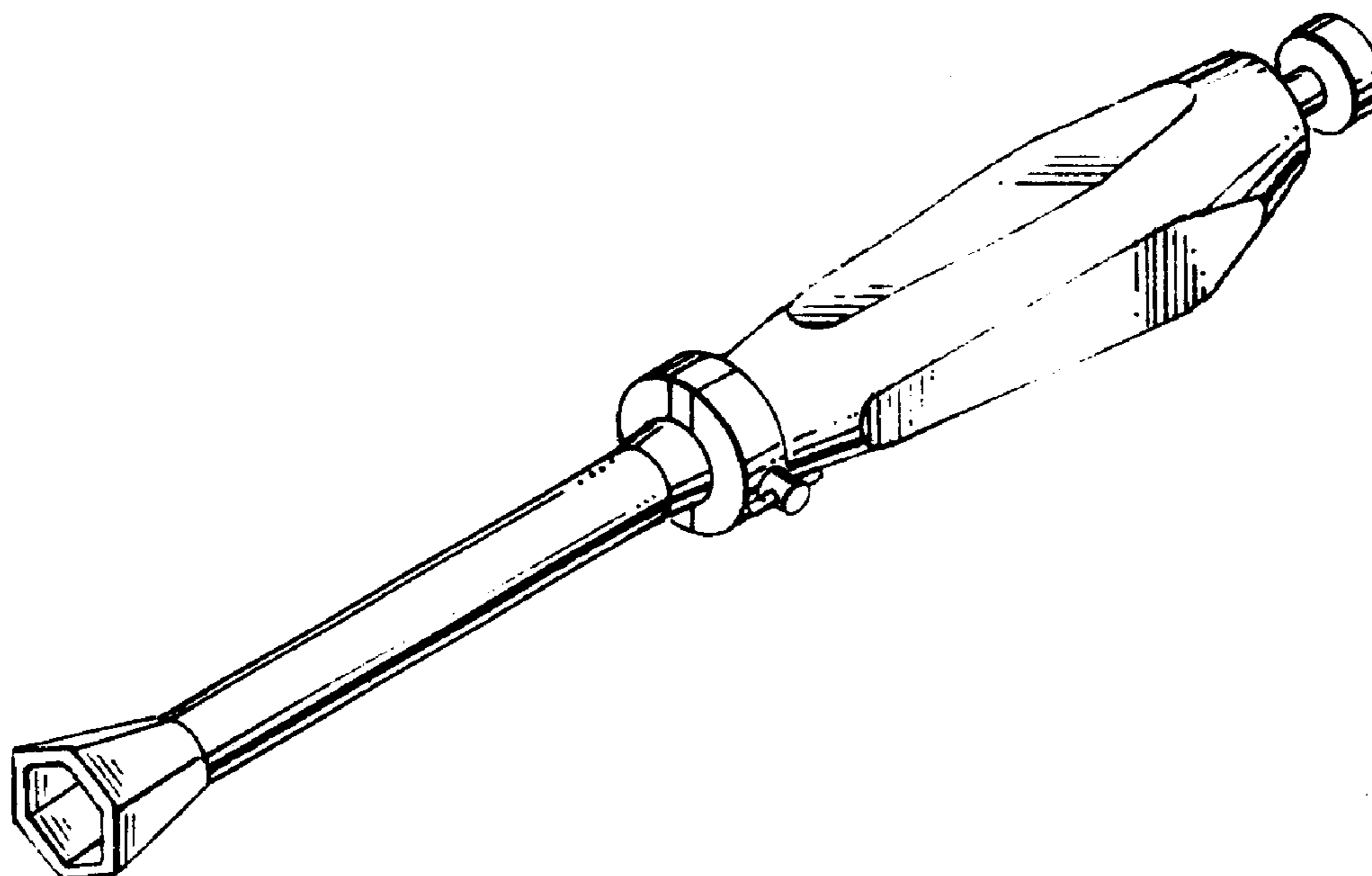


FIG. 1

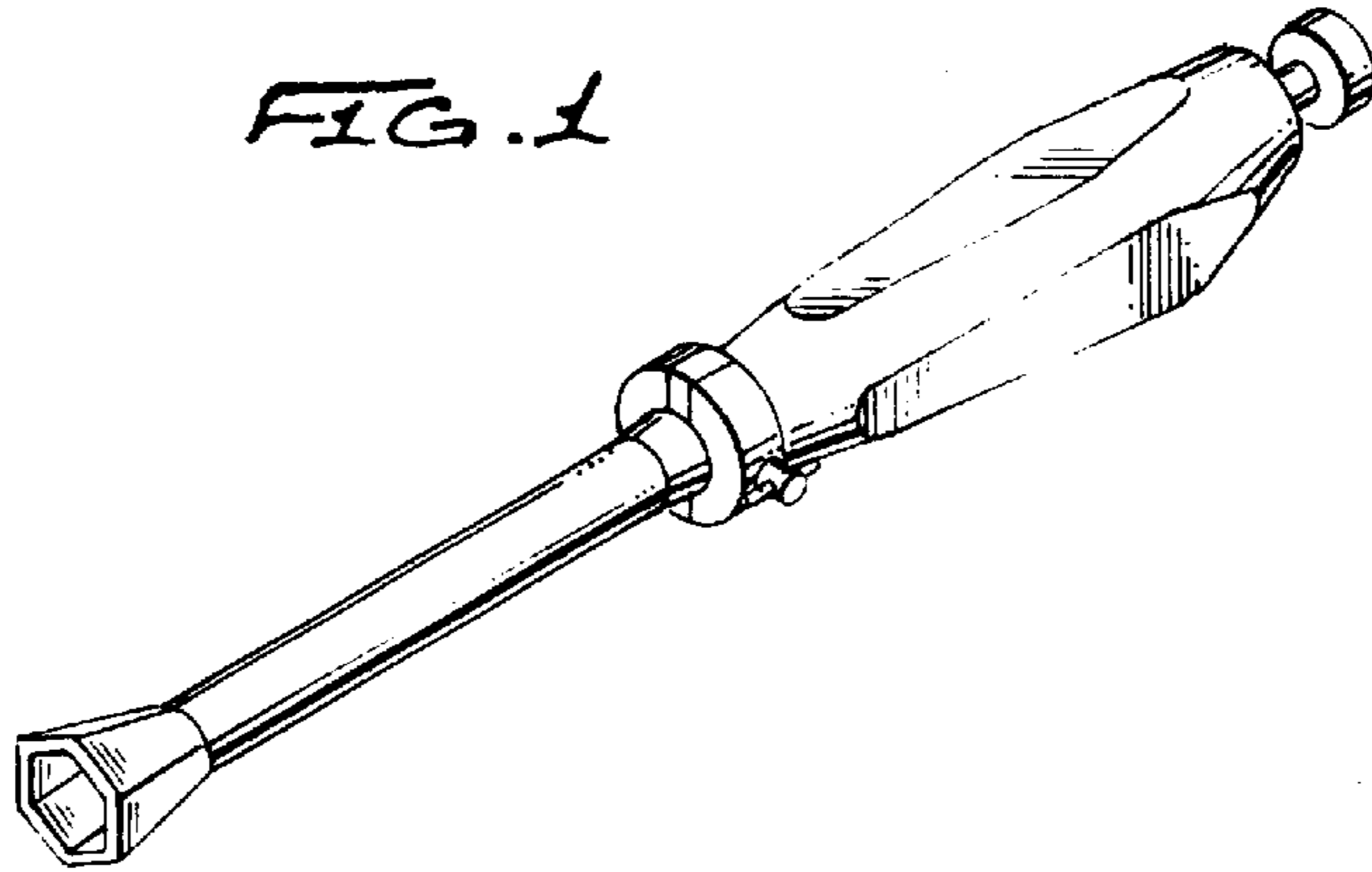


FIG. 2

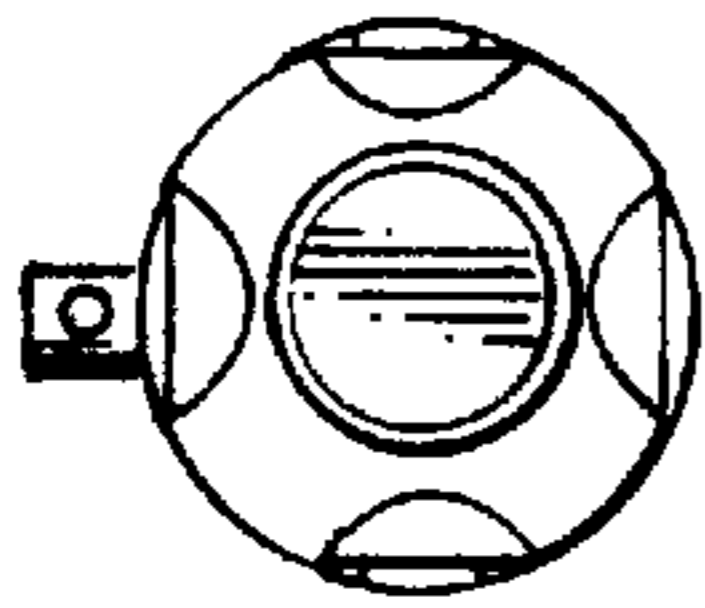
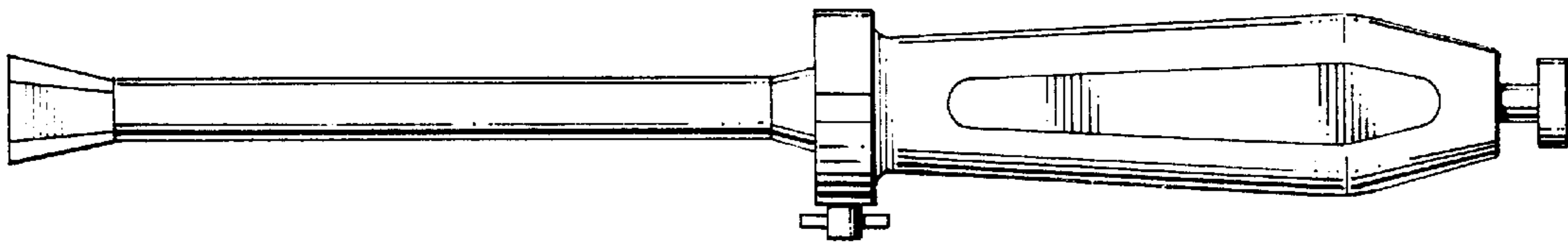


FIG. 3

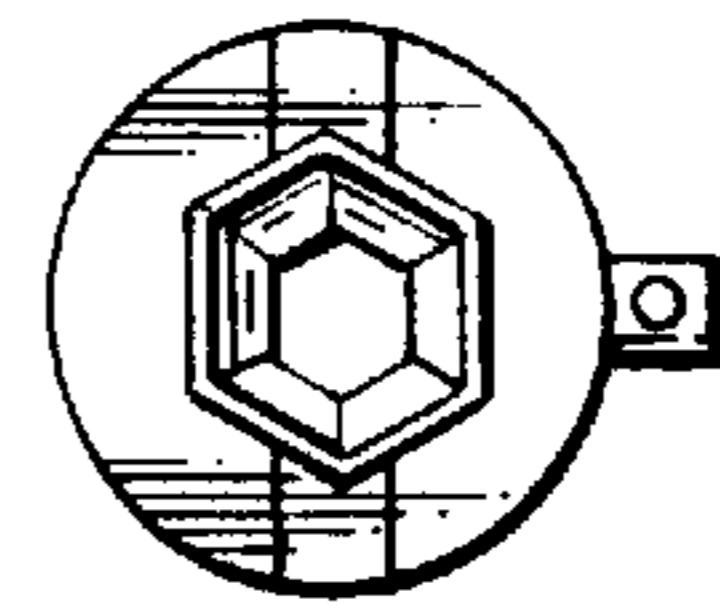


FIG. 4