

US00D503600S

(12) **United States Design Patent**
Bian

(10) **Patent No.: US D503,600 S**

(45) **Date of Patent: ** Apr. 5, 2005**

(54) **SHEET ORBITAL SANDER**

(75) **Inventor: Xiaoxian Bian, Suzhou (CN)**

(73) **Assignee: Positec Power Tools (Suzhou) Co., Ltd., Suzhou (CN)**

(**) **Term: 14 Years**

(21) **Appl. No.: 29/178,438**

(22) **Filed: Mar. 26, 2003**

(30) **Foreign Application Priority Data**

Sep. 27, 2002 (CN) 02 3 34388

(51) **LOC (7) Cl. 08-01**

(52) **U.S. Cl. D8/62**

(58) **Field of Search** D8/61, 62, 67,
D8/69; D32/15, 19; 173/168, 170, 171;
310/50; 451/294, 344, 351, 353, 354, 355,
356, 357, 358, 359

(56) **References Cited**

U.S. PATENT DOCUMENTS

D329,362 S * 9/1992 Saito et al. D8/62
D376,304 S * 12/1996 Clowers et al. D8/62
D408,245 S * 4/1999 Evans et al. D8/62
6,039,639 A * 3/2000 Pfaundler 451/356
D431,437 S * 10/2000 Niwa et al. D8/62

D448,262 S * 9/2001 Heun D8/62
6,514,131 B1 * 2/2003 Reich et al. 451/344
D476,543 S * 7/2003 Wu D8/62
6,699,111 B2 * 3/2004 Legner et al. 451/344
D488,365 S * 4/2004 Liu D8/62
2002/0037691 A1 * 3/2002 Mayr et al. 451/356
2004/0002296 A1 * 1/2004 Reich et al. 451/357
2004/0014410 A1 * 1/2004 Bocka et al. 451/351

* cited by examiner

Primary Examiner—Robert M. Spear

Assistant Examiner—Elizabeth Albert

(74) *Attorney, Agent, or Firm*—Hedman & Costigan, P.C.

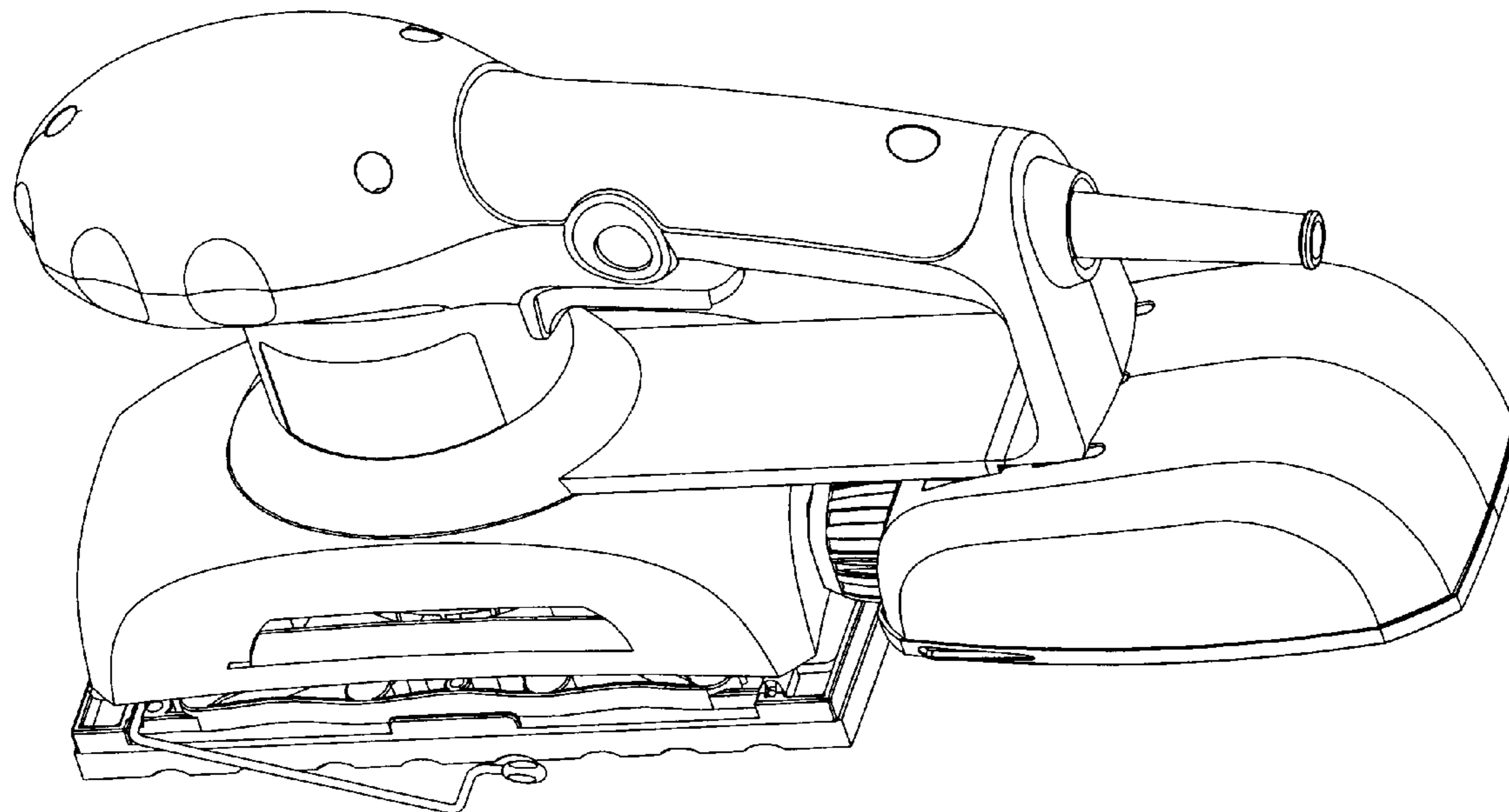
(57) **CLAIM**

The ornamental design for a sheet orbital sander, as shown and described.

DESCRIPTION

FIG. 1 is a front view of the sheet orbital sander, which is the object of the present design;
FIG. 2 is a back view thereof;
FIG. 3 is a left side view thereof;
FIG. 4 is a right side view thereof;
FIG. 5 is a top view thereof;
FIG. 6 is a bottom view thereof; and,
FIG. 7 is a perspective view thereof.

1 Claim, 4 Drawing Sheets



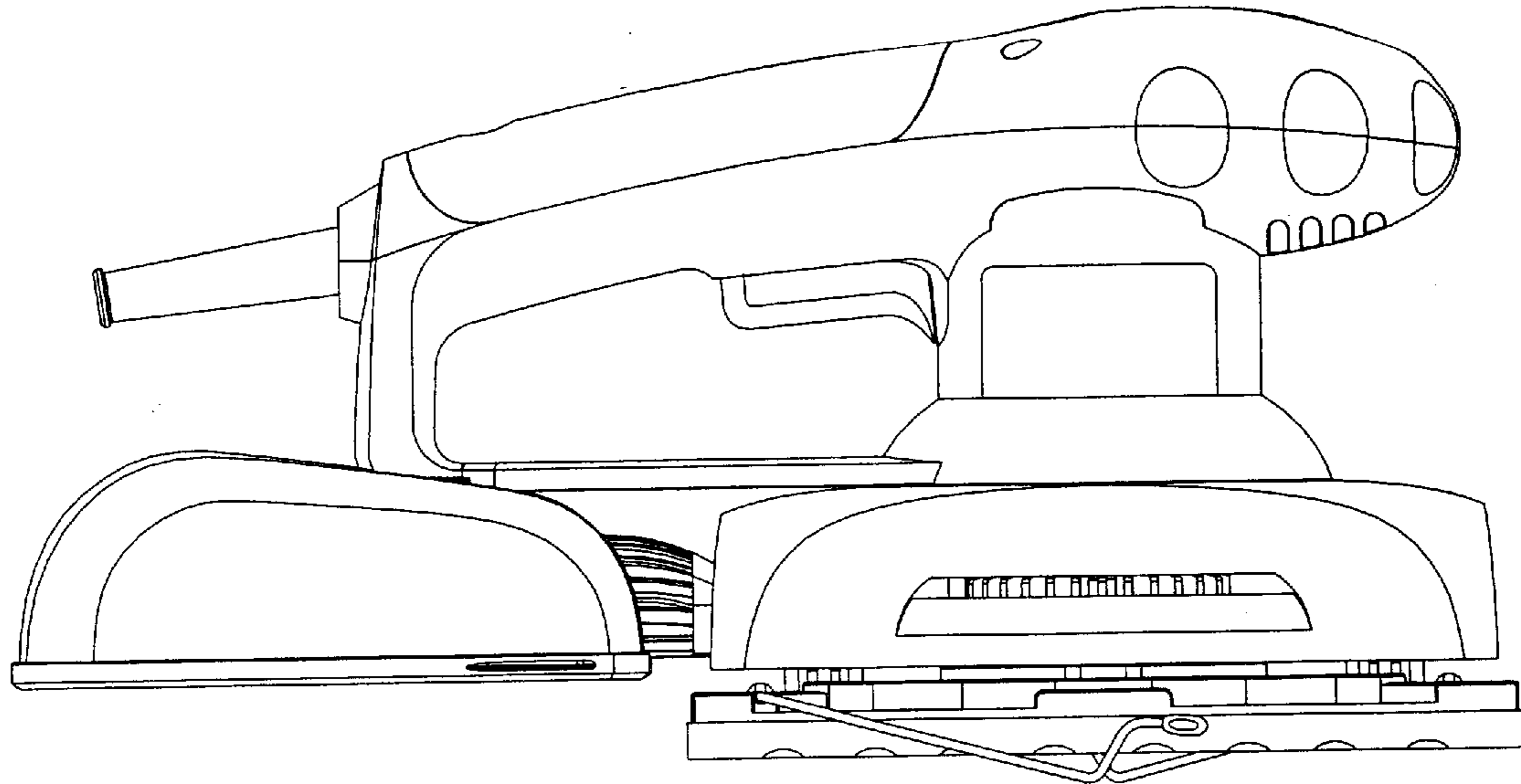


Fig. 1

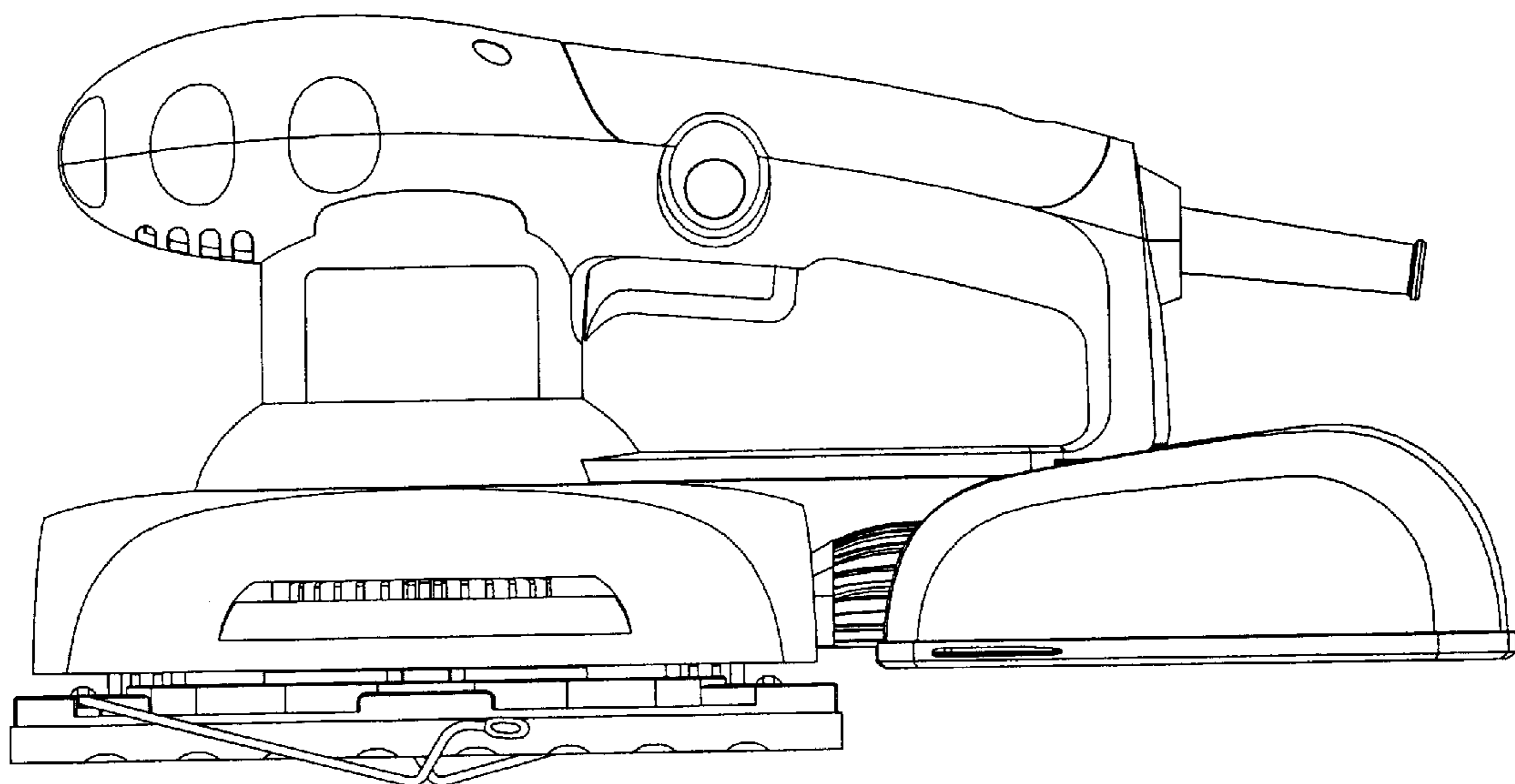


Fig. 2

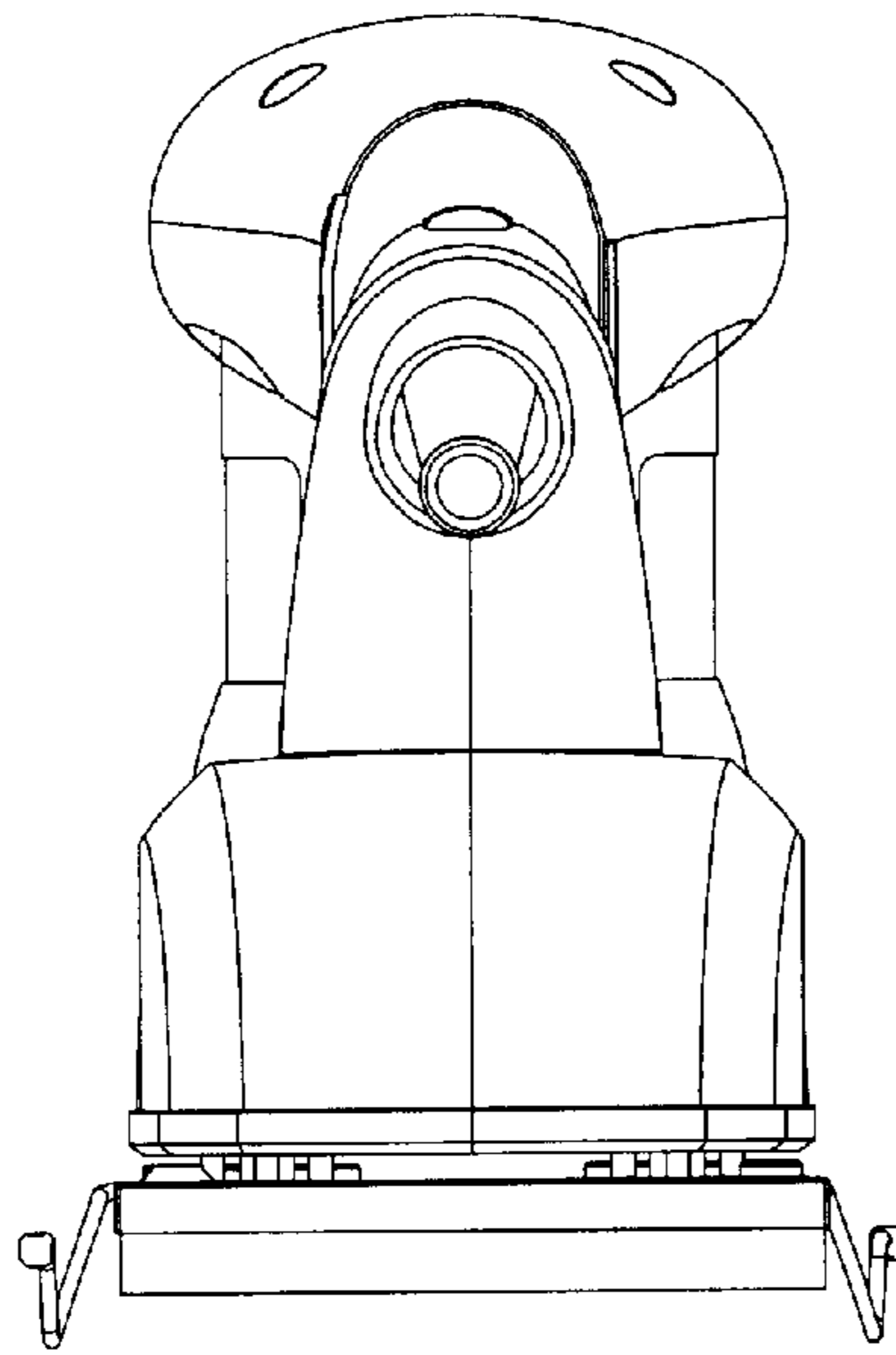


Fig. 3

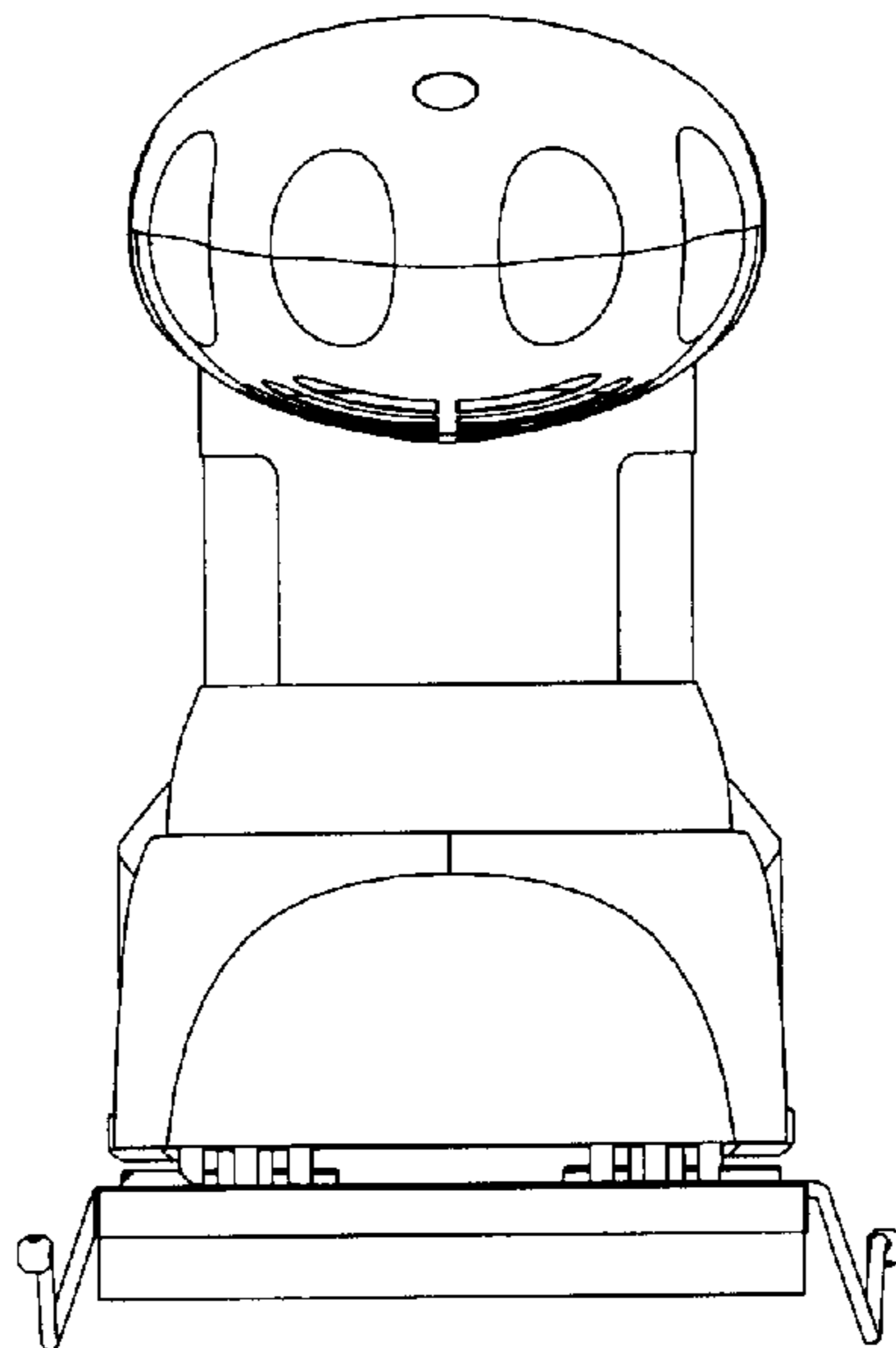


Fig. 4

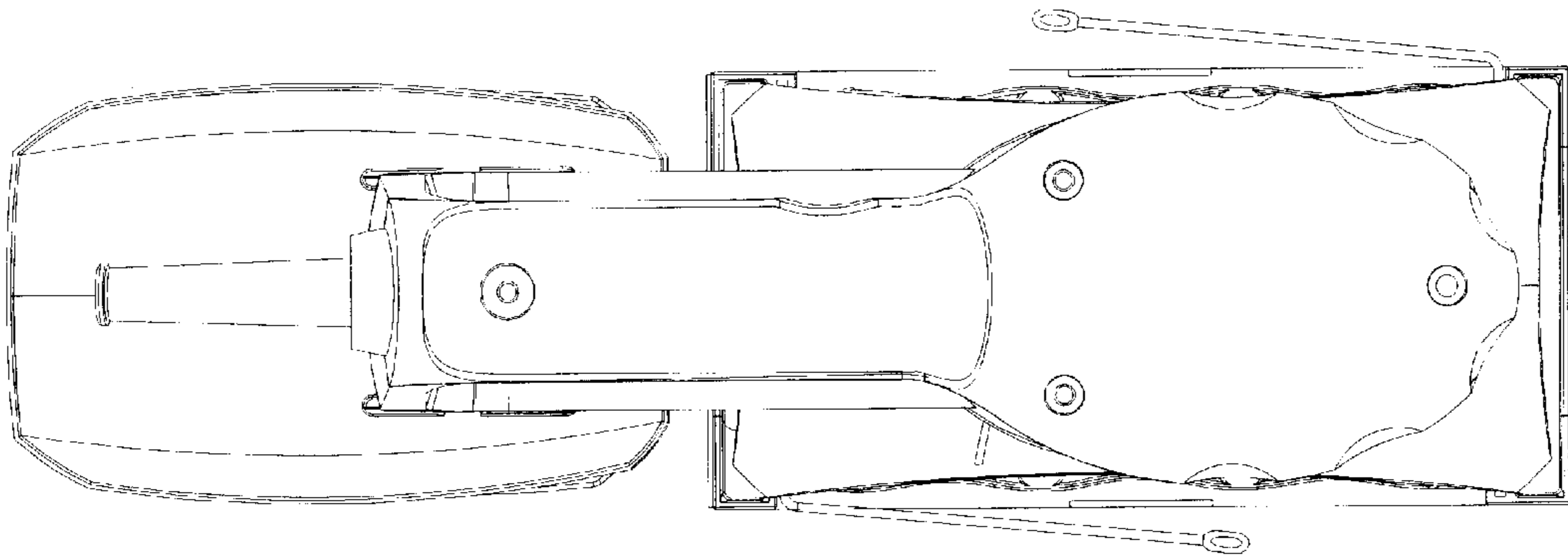


Fig. 5

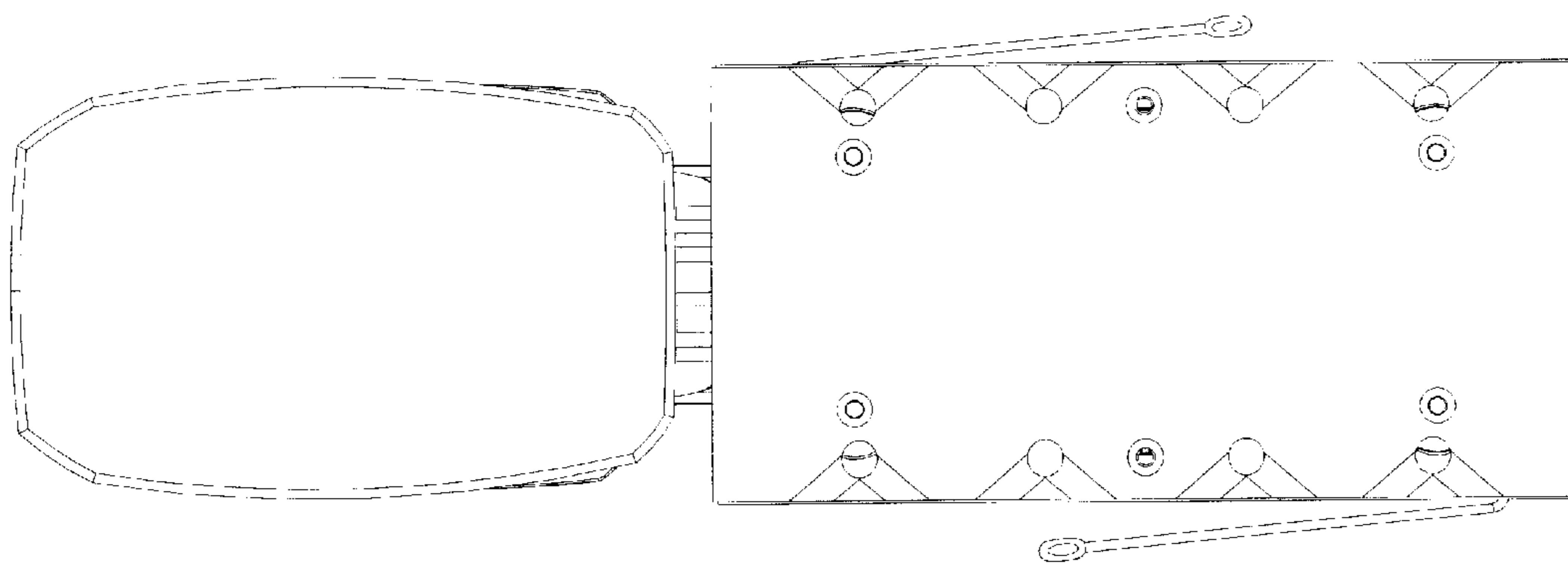


Fig. 6

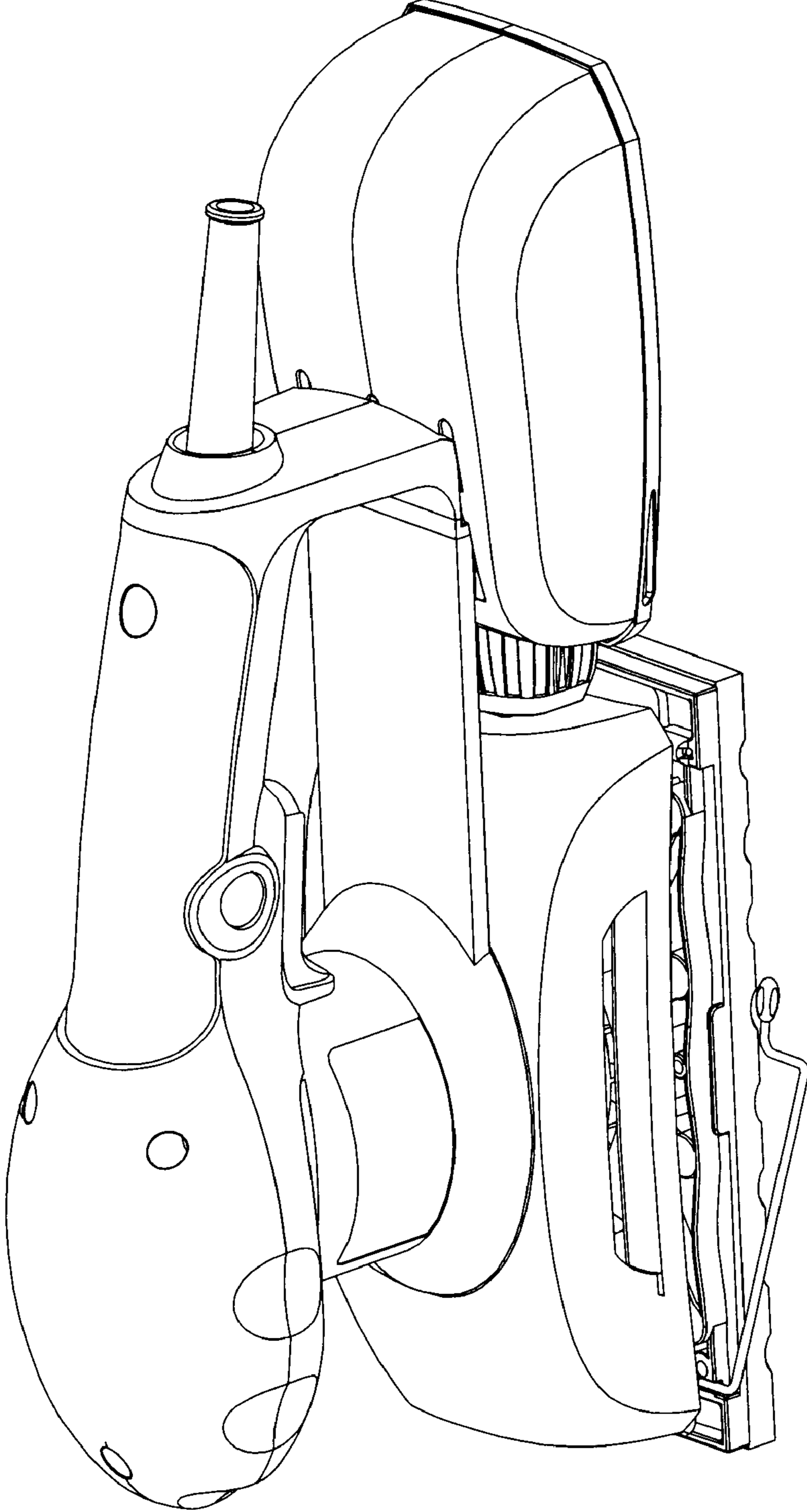


Fig. 7