



US00D503598S

(12) **United States Design Patent**
So

(10) **Patent No.:** **US D503,598 S**

(45) **Date of Patent:** **** Apr. 5, 2005**

(54) **FIVE-IN-ONE OPENER**

(76) **Inventor:** **Shun So**, 2nd Floor, Chuan Yuan
Factory Building, 342-344, Kwun Tong
Road, Kwun Tong Kowloon (HK)

(**) **Term:** **14 Years**

(21) **Appl. No.:** **29/192,915**

(22) **Filed:** **Nov. 3, 2003**

(30) **Foreign Application Priority Data**

May 2, 2003 (EM) 000018155

(51) **LOC (7) Cl.** **07-99**

(52) **U.S. Cl.** **D8/39; D8/34**

(58) **Field of Search** D8/16-20, 33-35,
D8/38-43, 88, 89, 105; 7/138, 151-166;
30/1.5, 169, 400-450; 81/3.05-3.49; 294/15

(56) **References Cited**

U.S. PATENT DOCUMENTS

D294,449 S * 3/1988 Kuhn D8/34
D301,539 S * 6/1989 Cheung D8/41

D488,976 S * 4/2004 Chen D8/41

* cited by examiner

Primary Examiner—Caron D. Veynar
(74) *Attorney, Agent, or Firm*—Leydig, Voit & Mayer, Ltd.

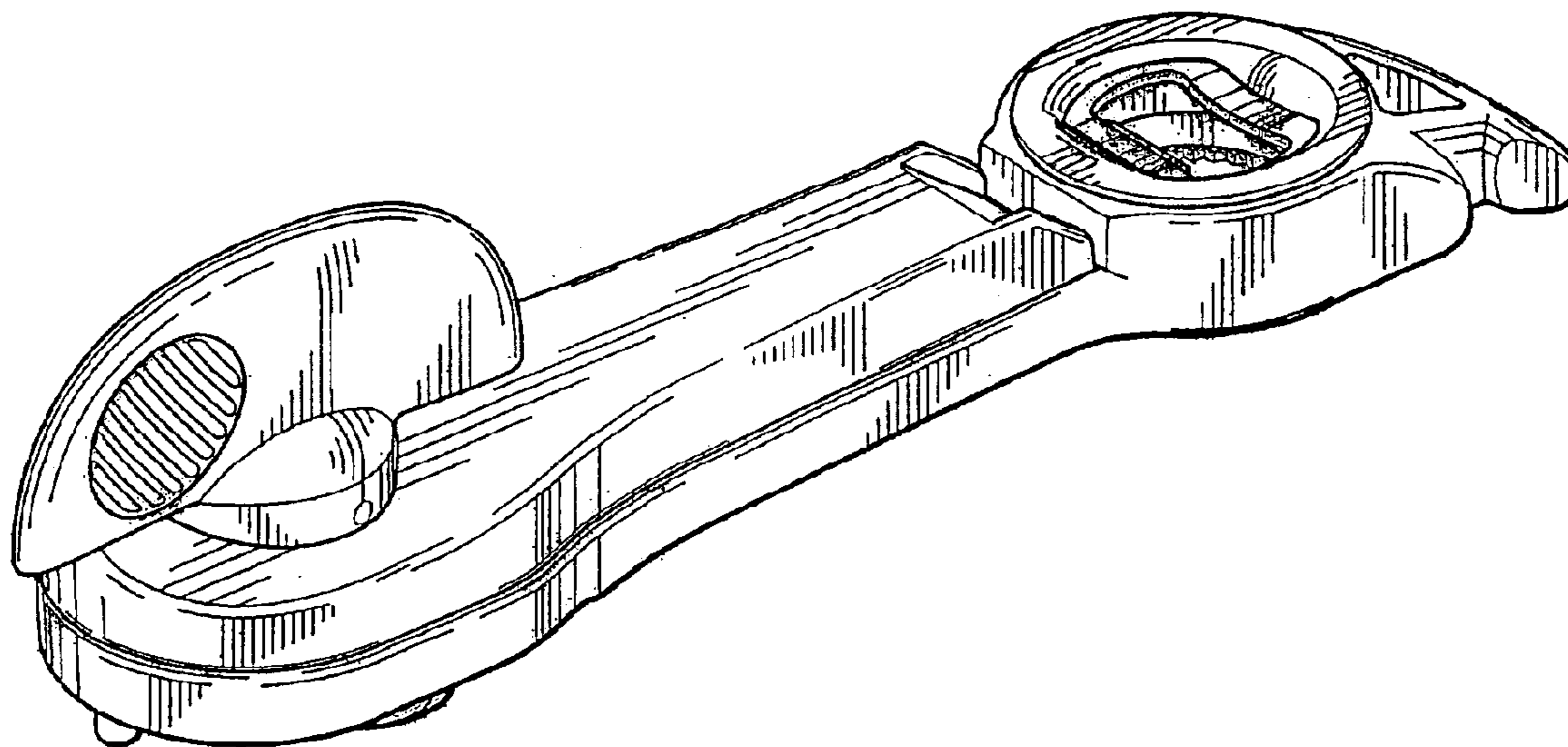
(57) **CLAIM**

The ornamental design for a five-in-one opener, as shown and described.

DESCRIPTION

FIG. 1 is a top perspective view of a five-in-one opener showing my new design;
FIG. 2 is a bottom perspective view thereof;
FIG. 3 is a top plan view thereof;
FIG. 4 is a bottom plan view thereof;
FIG. 5 is a left side elevational view thereof;
FIG. 6 is a right side elevational view thereof;
FIG. 7 is a front elevational view thereof;
FIG. 8 is a rear elevational view thereof;
FIG. 9 is a top plan view thereof showing an open position; and,
FIG. 10 is a bottom plan view thereof showing an open position.

1 Claim, 9 Drawing Sheets



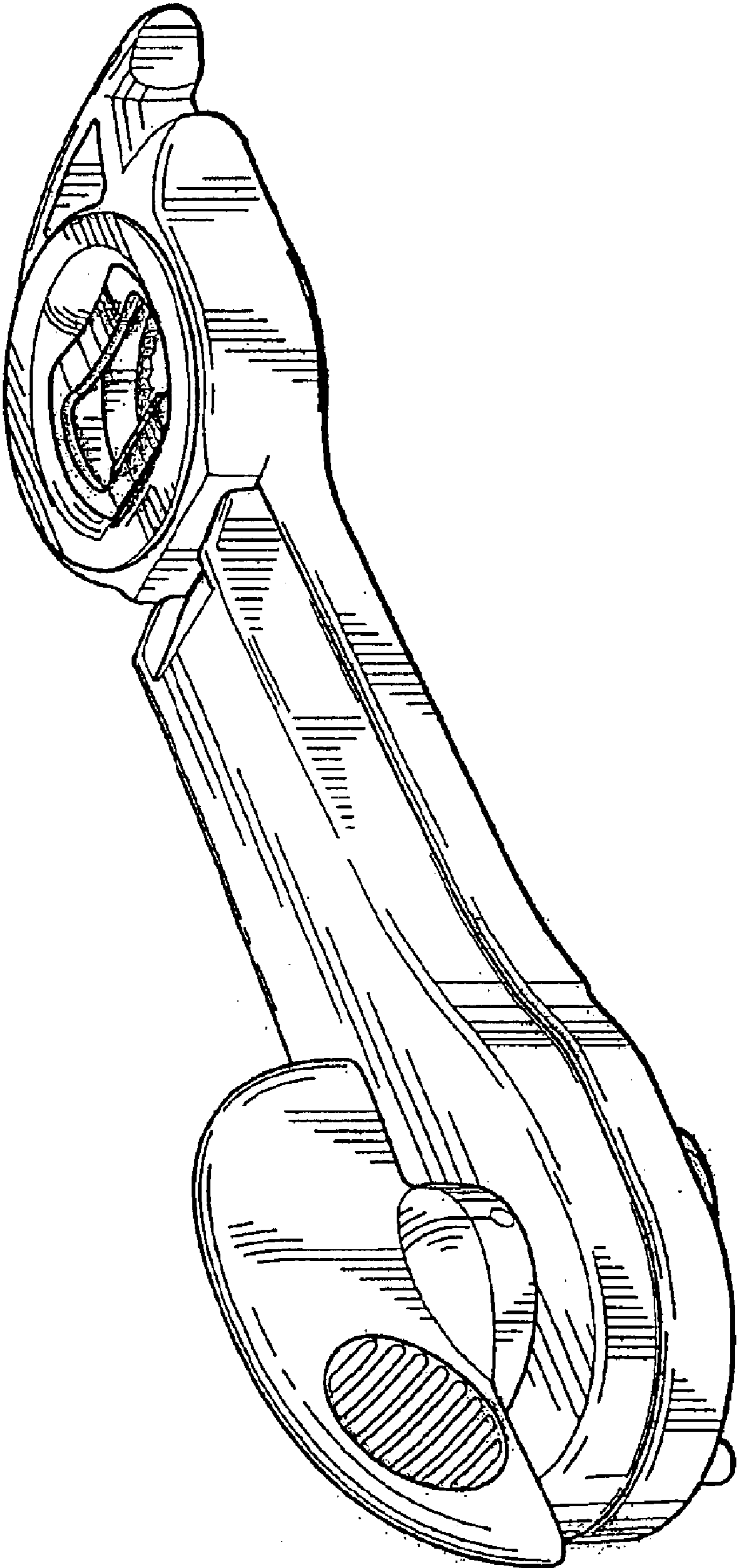


FIG. 1

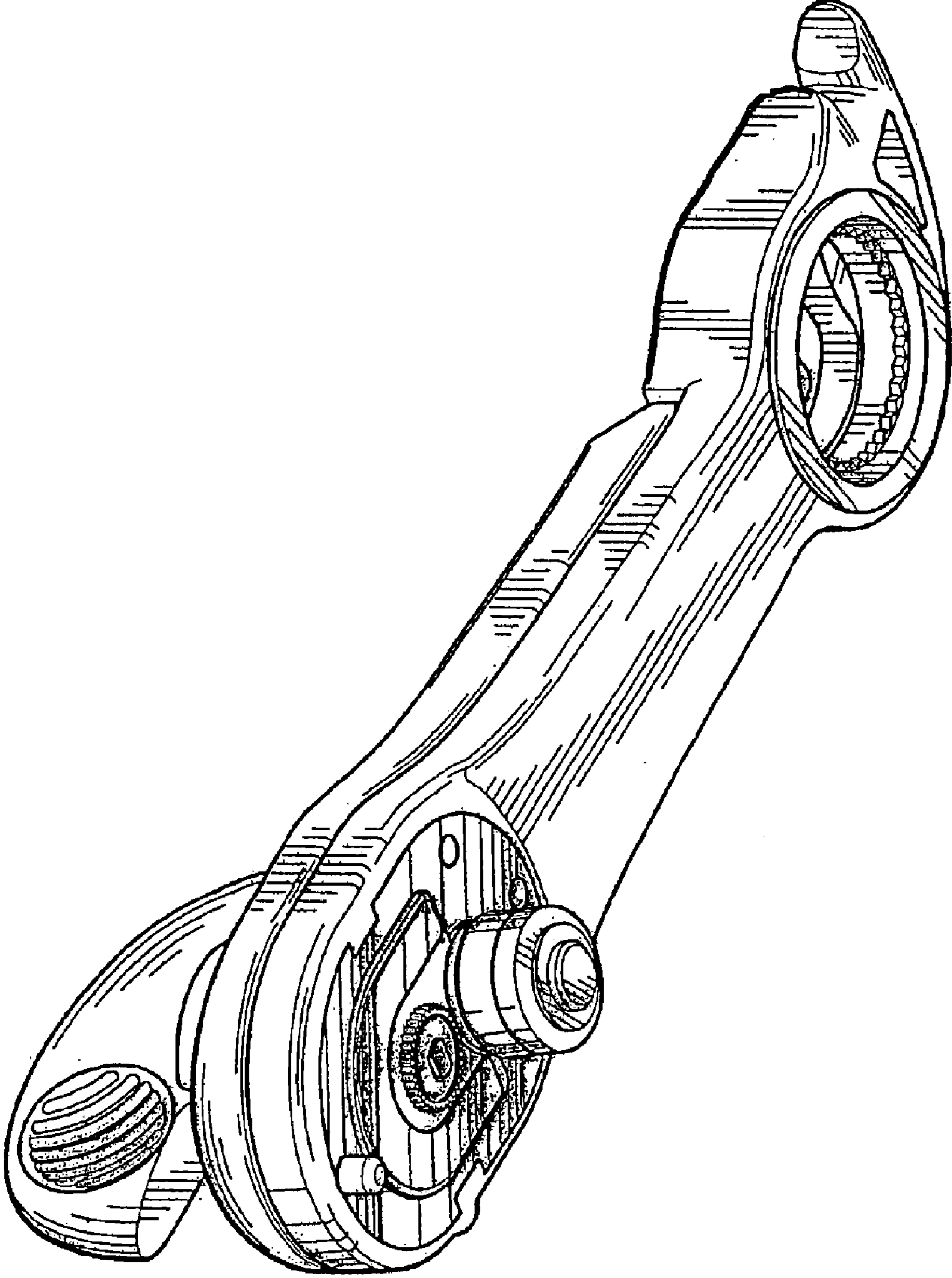


FIG. 2

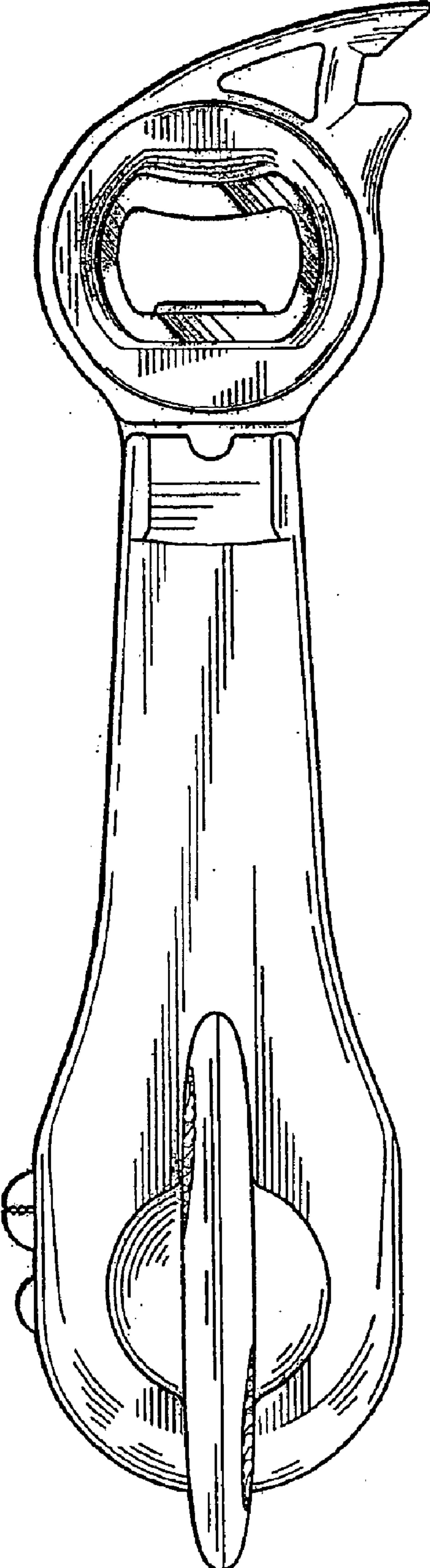


FIG. 3

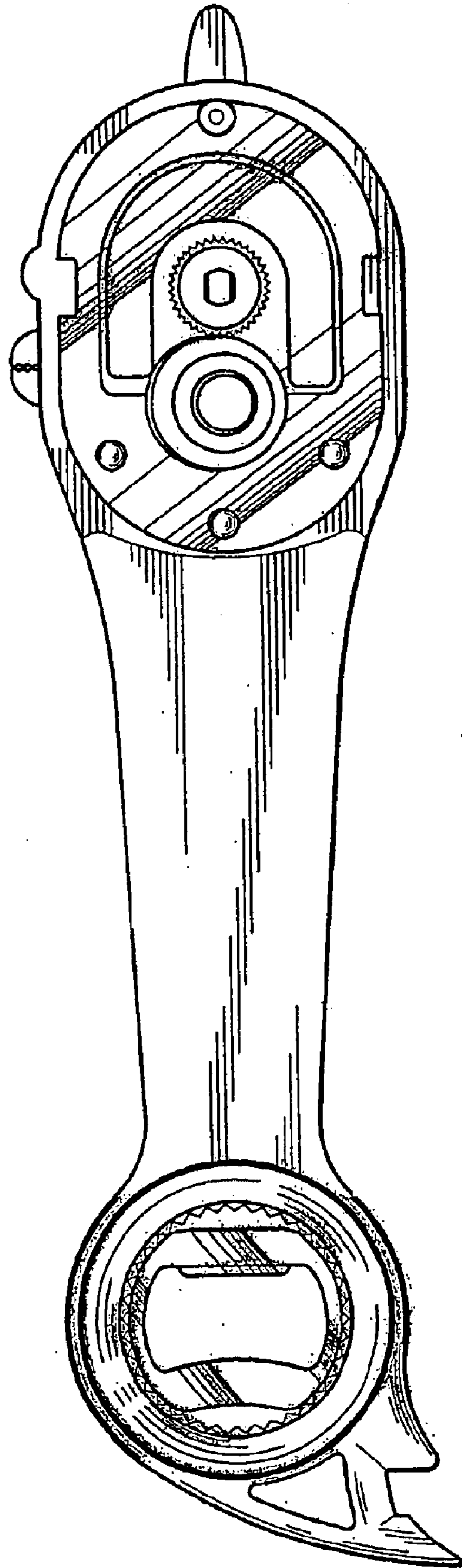


FIG. 4

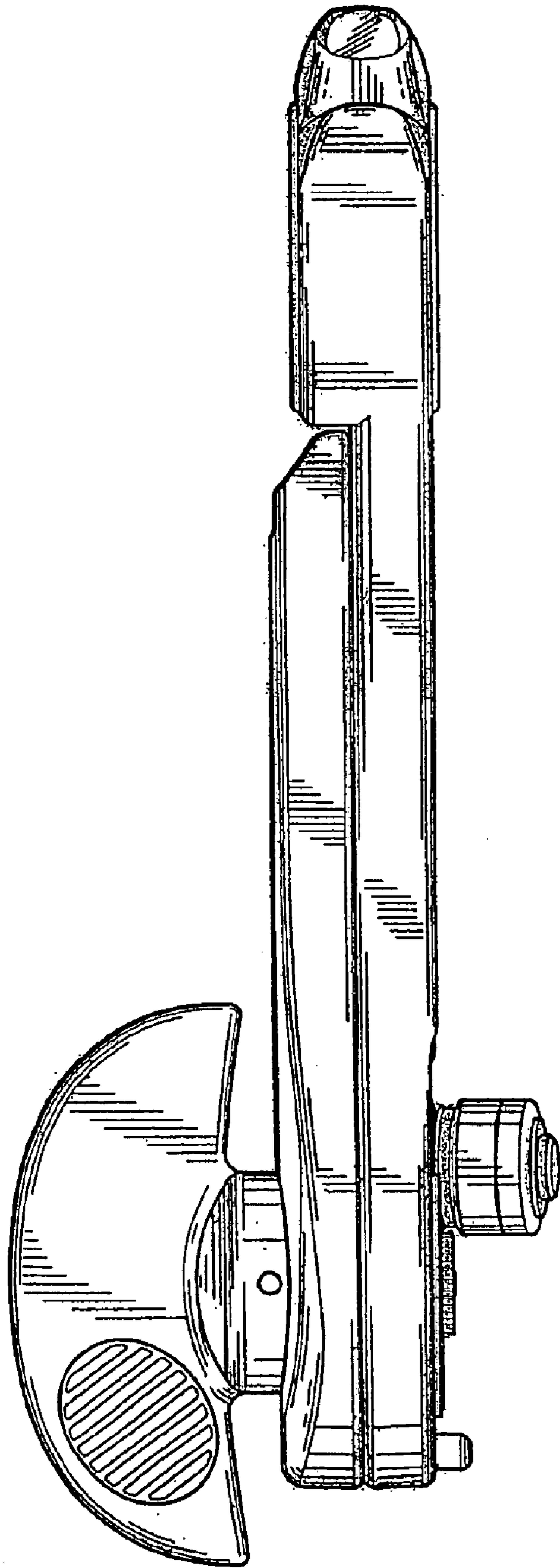


FIG. 5

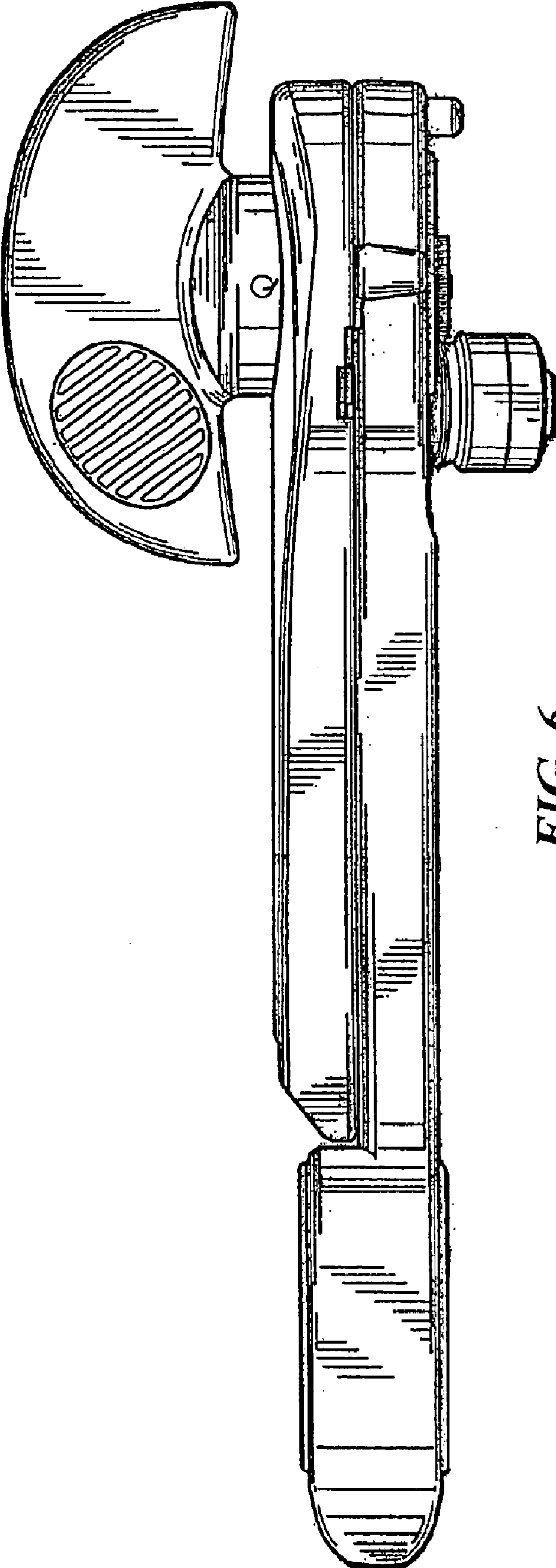


FIG. 6

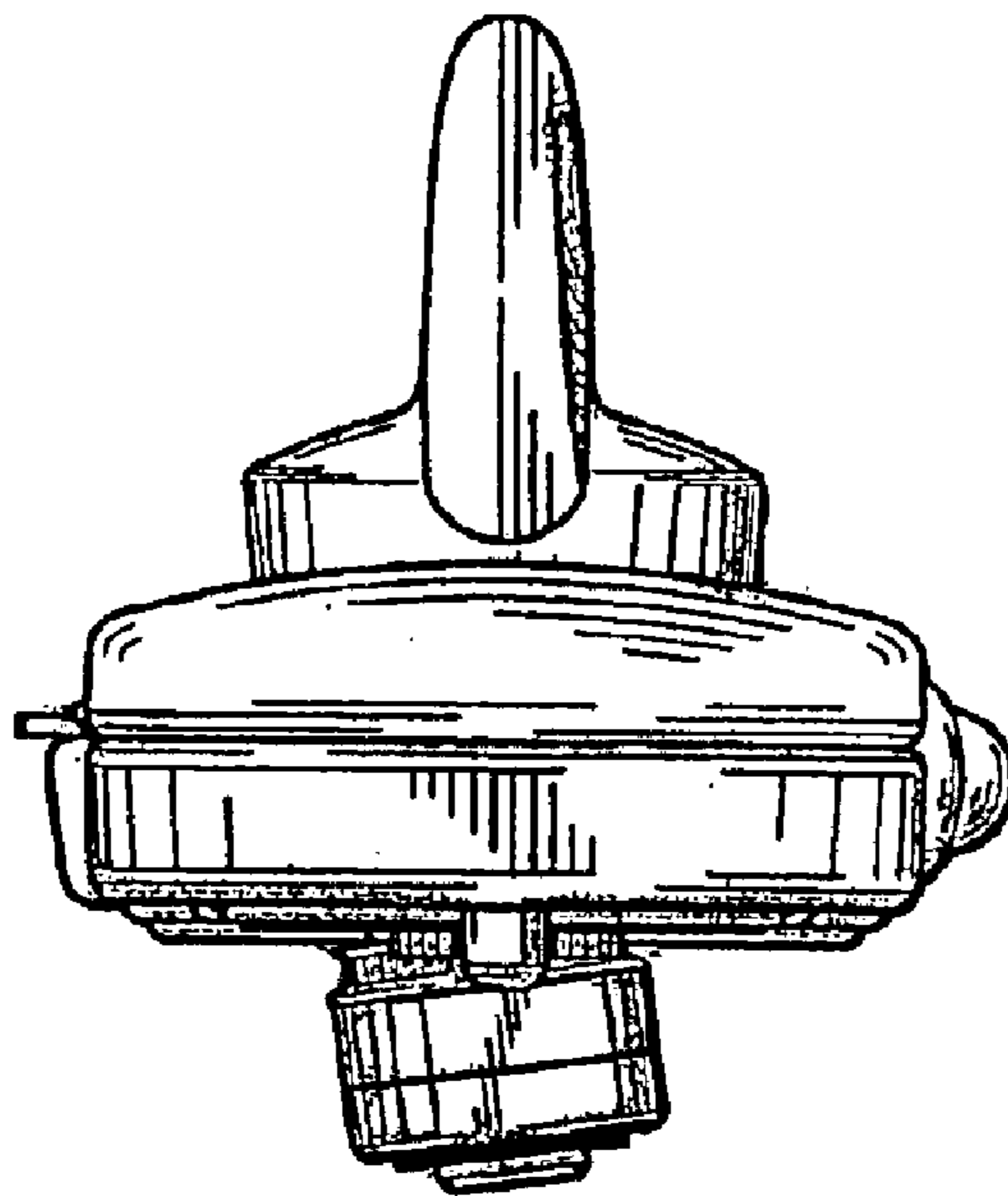


FIG. 7

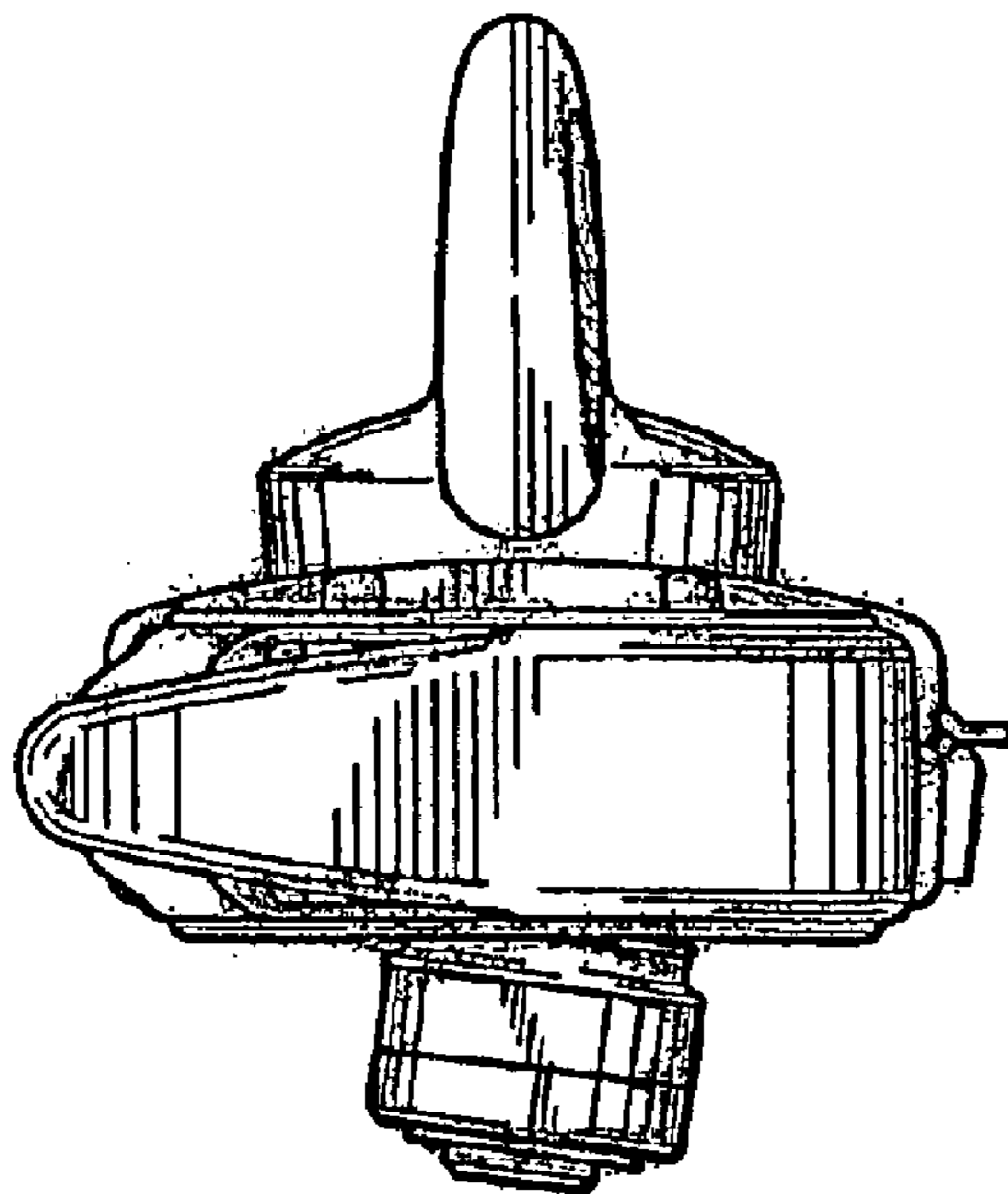


FIG. 8

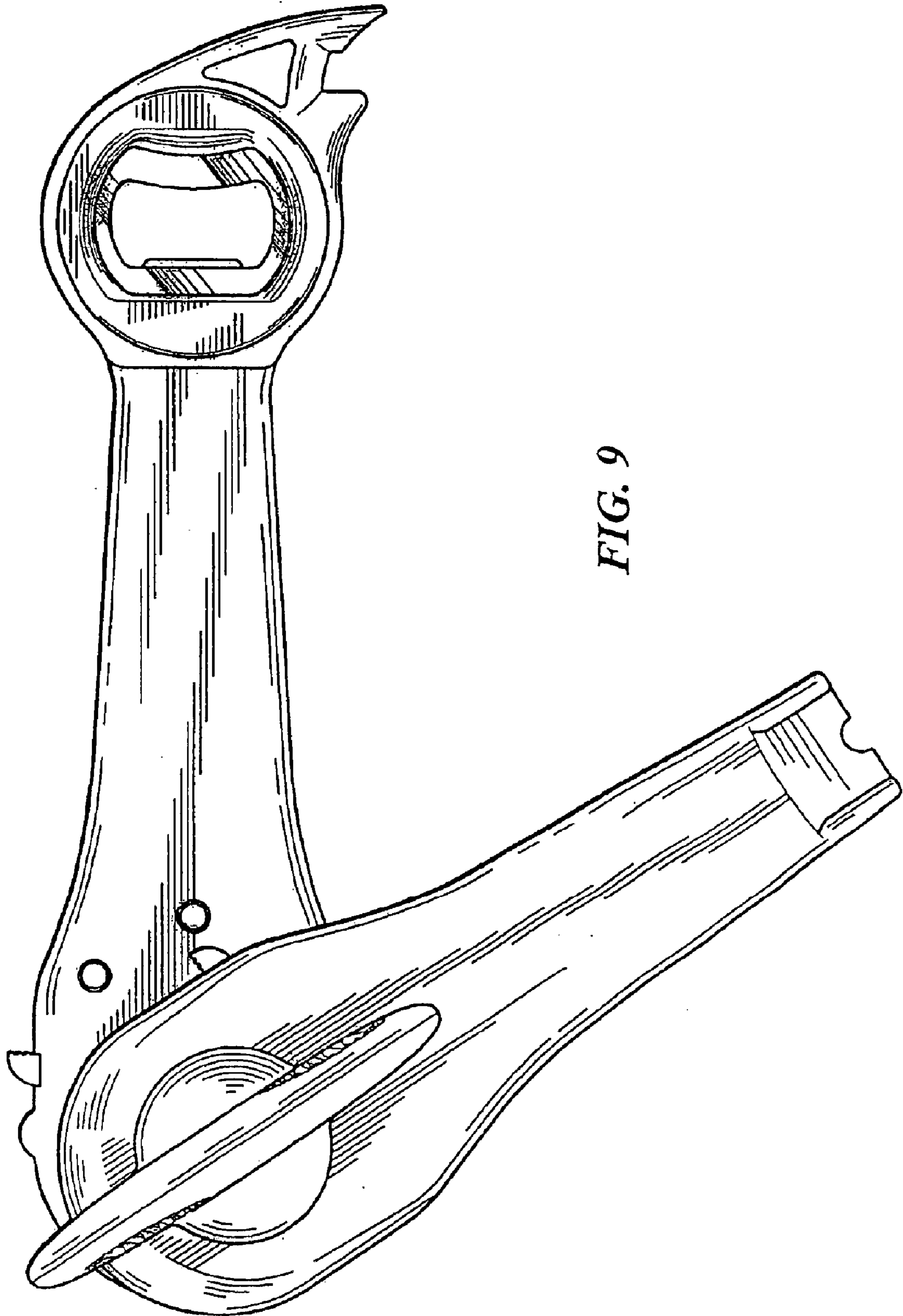


FIG. 9

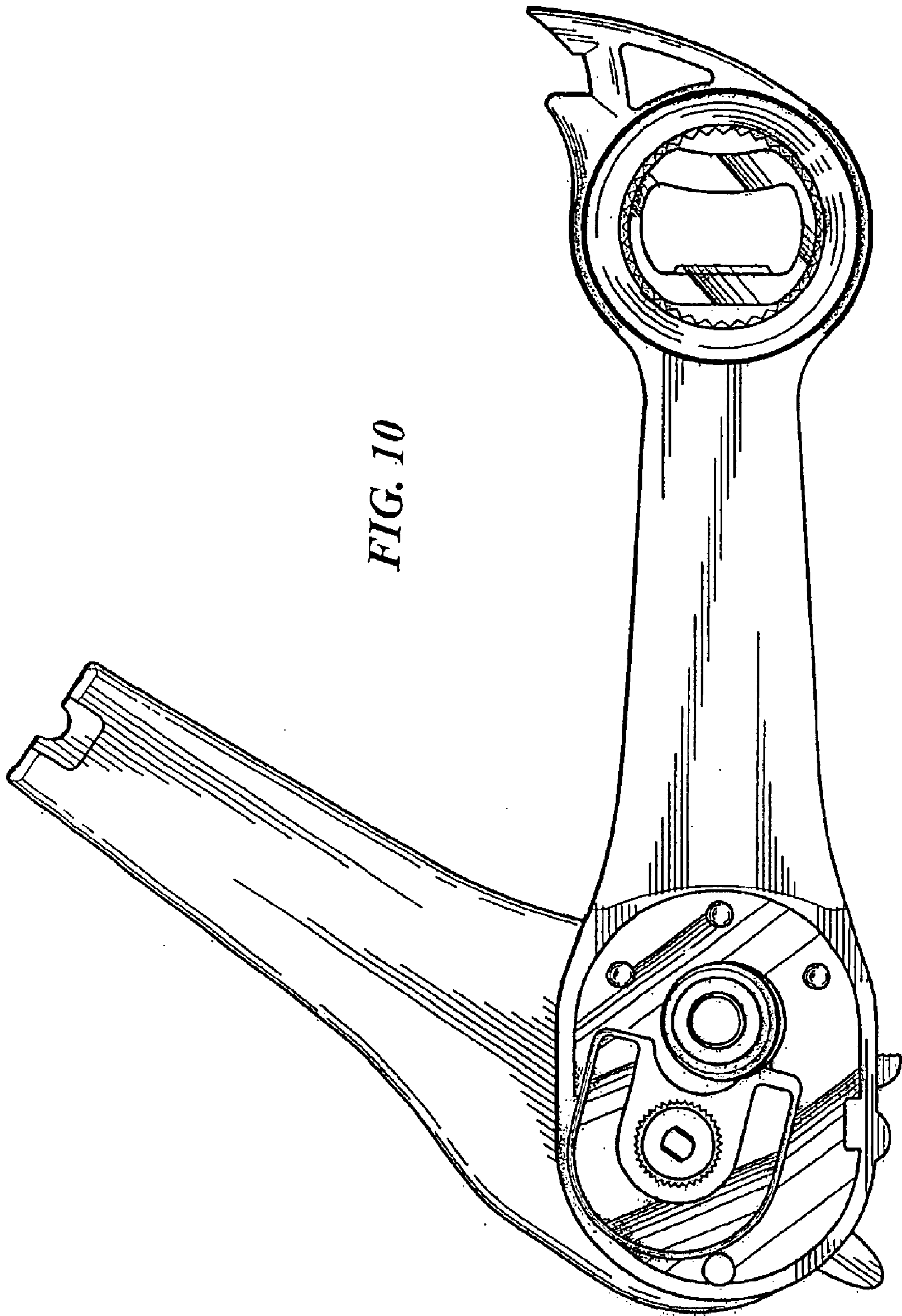


FIG. 10