

US00D503593S

(12) **United States Design Patent**  
**Walker**

(10) **Patent No.: US D503,593 S**

(45) **Date of Patent: \*\* Apr. 5, 2005**

(54) **TACO SHELL FRYER**

(75) **Inventor: Larry Lewis Walker, Grants Pass, OR (US)**

(73) **Assignee: Larry L. Walker, Grants Pass, OR (US)**

(\*\*) **Term: 14 Years**

(21) **Appl. No.: 29/177,193**

(22) **Filed: Mar. 6, 2003**

(51) **LOC (7) Cl. .... 07-04**

(52) **U.S. Cl. .... D7/672**

(58) **Field of Search ..... D7/672, 674; 99/353, 99/349, 411, 416, 426, 439**

(56) **References Cited**

**U.S. PATENT DOCUMENTS**

3,693,537 A \* 9/1972 Johnson et al. .... 99/426

3,745,911 A \* 7/1973 Kennedy et al. .... 99/426

D249,219 S \* 9/1978 Stence ..... D7/672

4,154,155 A \* 5/1979 Brignall ..... 99/426

4,517,887 A \* 5/1985 Childress ..... 99/426

\* cited by examiner

*Primary Examiner*—Terry A. Wallace

(57) **CLAIM**

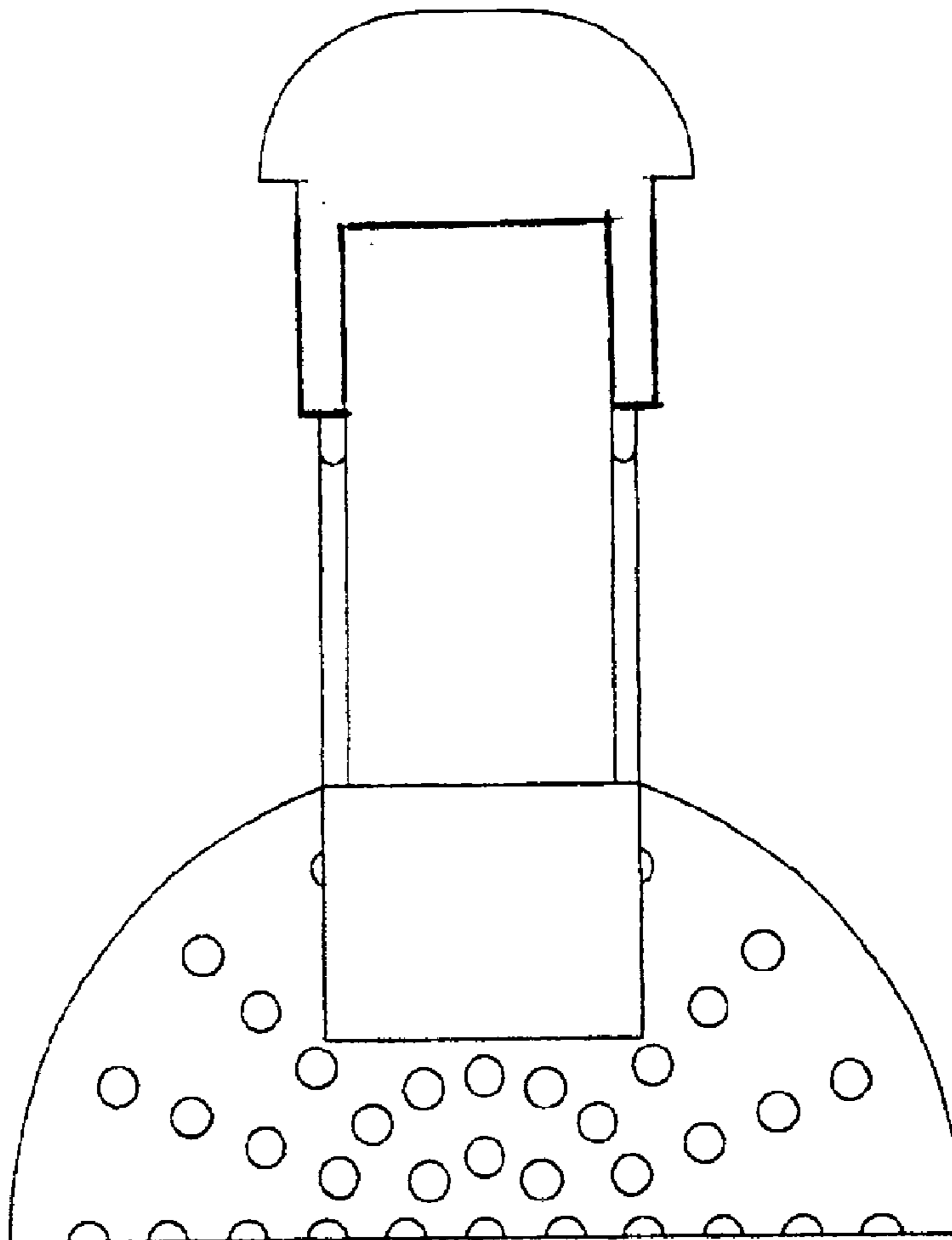
The ornamental design for a taco shell fryer, as shown.

**DESCRIPTION**

FIG. 1 is a side view of the taco shell fryer showing my new design; and,

FIG. 2 is a front elevation view thereof.

**1 Claim, 1 Drawing Sheet**



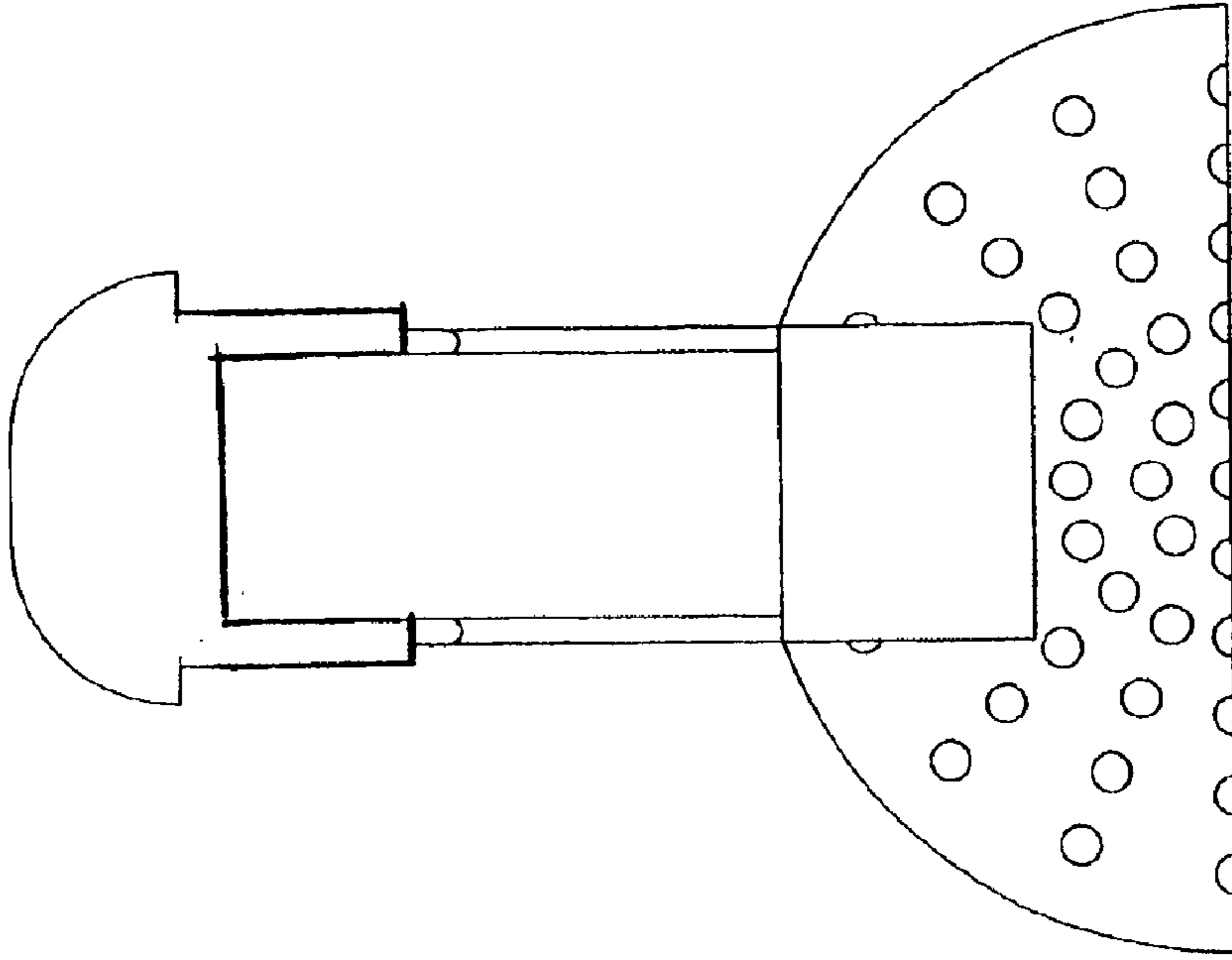


Fig # 2

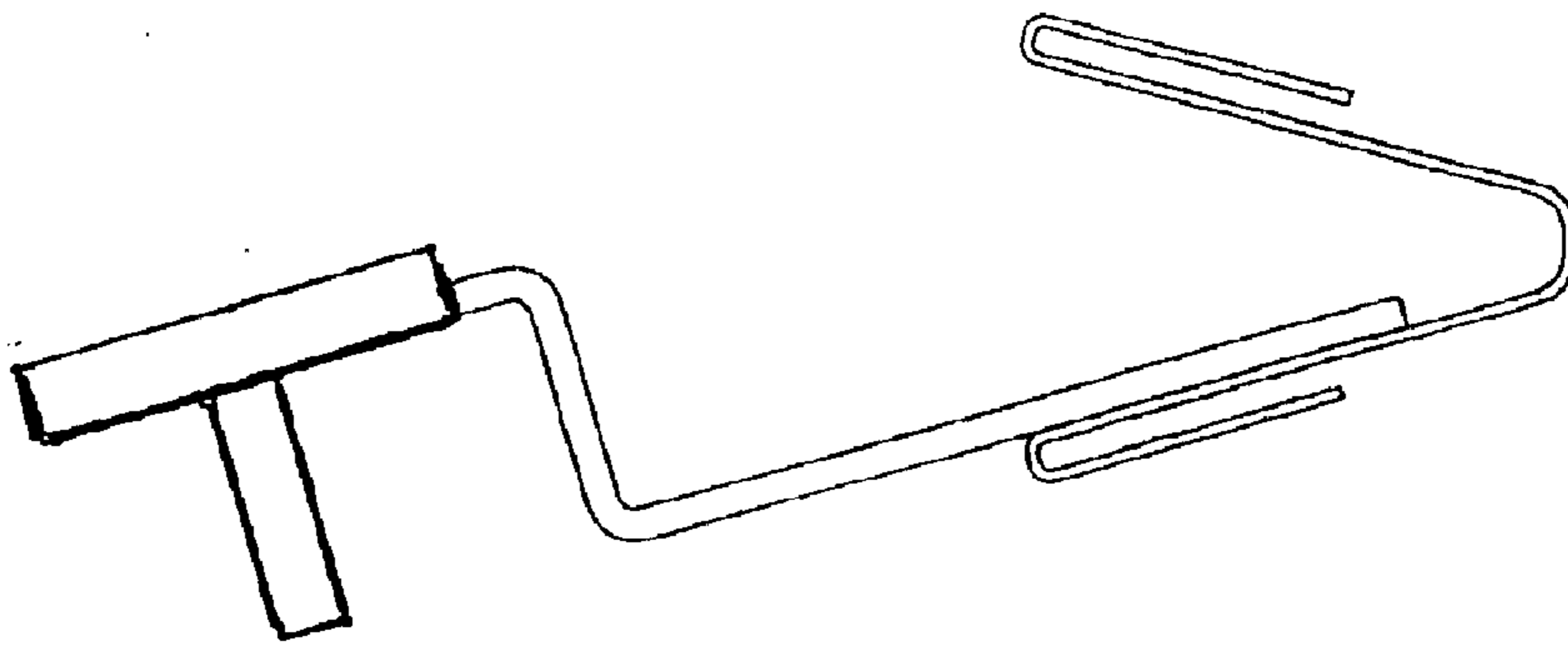


Fig # 1