

US00D503586S

(12) **United States Design Patent**
Johnson

(10) **Patent No.: US D503,586 S**

(45) **Date of Patent: ** Apr. 5, 2005**

(54) **FRAME ASSEMBLY FOR A BARBECUE GRILL**

D458,506 S * 6/2002 DeMars D7/332
6,606,987 B2 * 8/2003 DeMars 126/38
6,739,329 B2 * 5/2004 Wu 126/41 R
2002/0069866 A1 * 6/2002 DeMars 126/38

(75) Inventor: **Mark Johnson**, Cary, IL (US)

* cited by examiner

(73) Assignee: **Weber-Stephen Products Co.**, Palatine, IL (US)

Primary Examiner—Ruth McInroy

(**) Term: **14 Years**

(74) *Attorney, Agent, or Firm*—Wallenstein, Wagner & Rockey, Ltd.

(21) Appl. No.: **29/195,699**

(57) **CLAIM**

(22) Filed: **Dec. 16, 2003**

I claim the ornamental Design for a frame assembly for a barbecue grill, as shown and described.

(51) **LOC (7) Cl.** **07-02**

(52) **U.S. Cl.** **D7/402**

(58) **Field of Search** D7/332, 334–337, D7/402–405; 126/9 R, 9 B, 25 R, 25 A, 25 B, 26, 38, 40, 41 R, 50, 245, 304 R, 305, 693; 99/419, 449; 248/127, 129, 150, 188; 211/135

DESCRIPTION

FIG. 1 is a perspective view of a frame assembly for a barbecue grill showing my new design; FIG. 2 is a front view thereof; FIG. 3 is a rear view thereof; FIG. 4 is a top plan view thereof; FIG. 5 is a side view thereof; FIG. 6 is a side view of the opposite side of FIG. 5; and, FIG. 7 is a bottom view thereof.

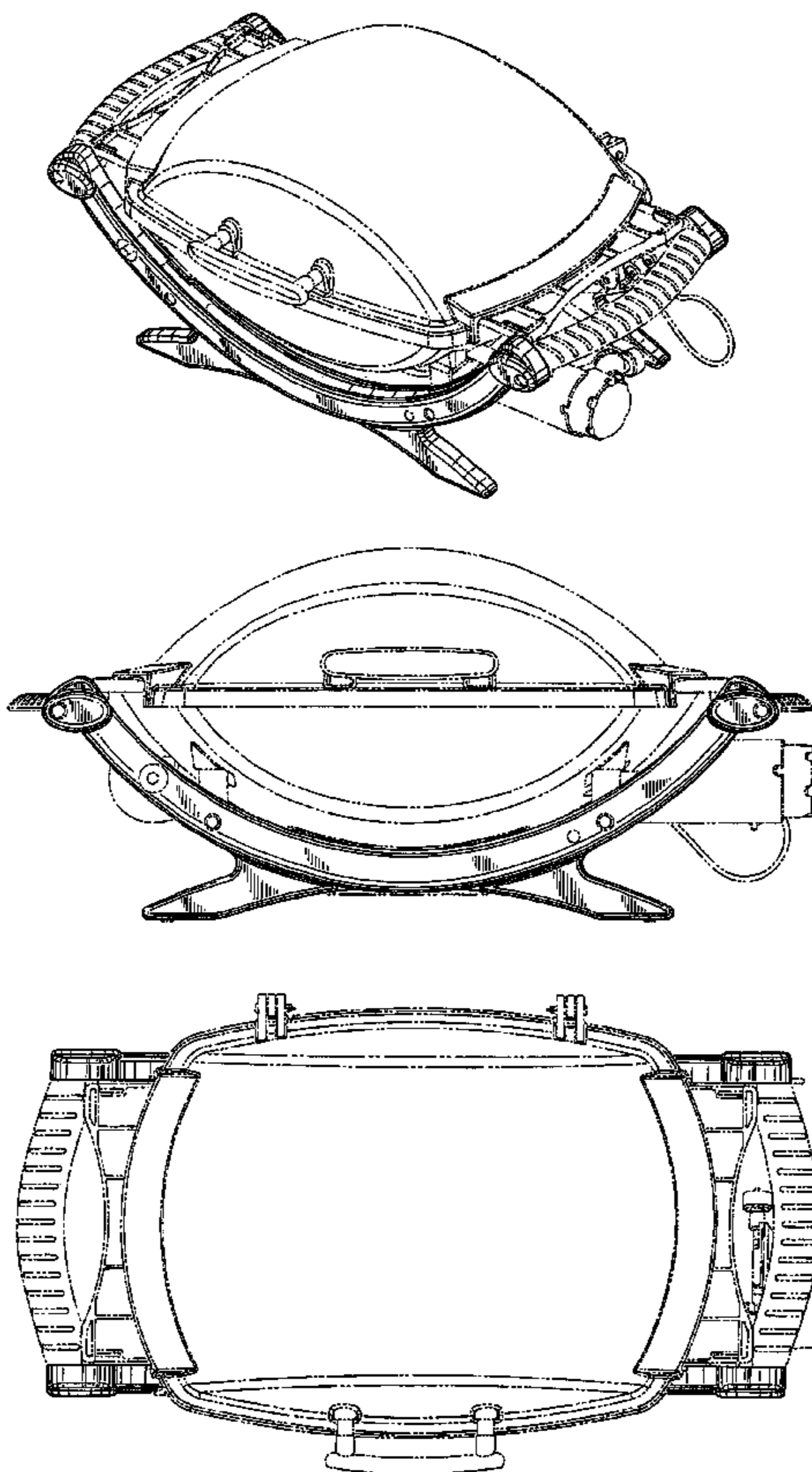
The details shown in broken lines form no part of the claimed design.

(56) **References Cited**

U.S. PATENT DOCUMENTS

D435,998 S * 1/2001 Mak D7/332
D444,023 S * 6/2001 Pai D7/337
D457,030 S * 5/2002 DeMars D7/332
D457,776 S * 5/2002 DeMars D7/332

1 Claim, 6 Drawing Sheets



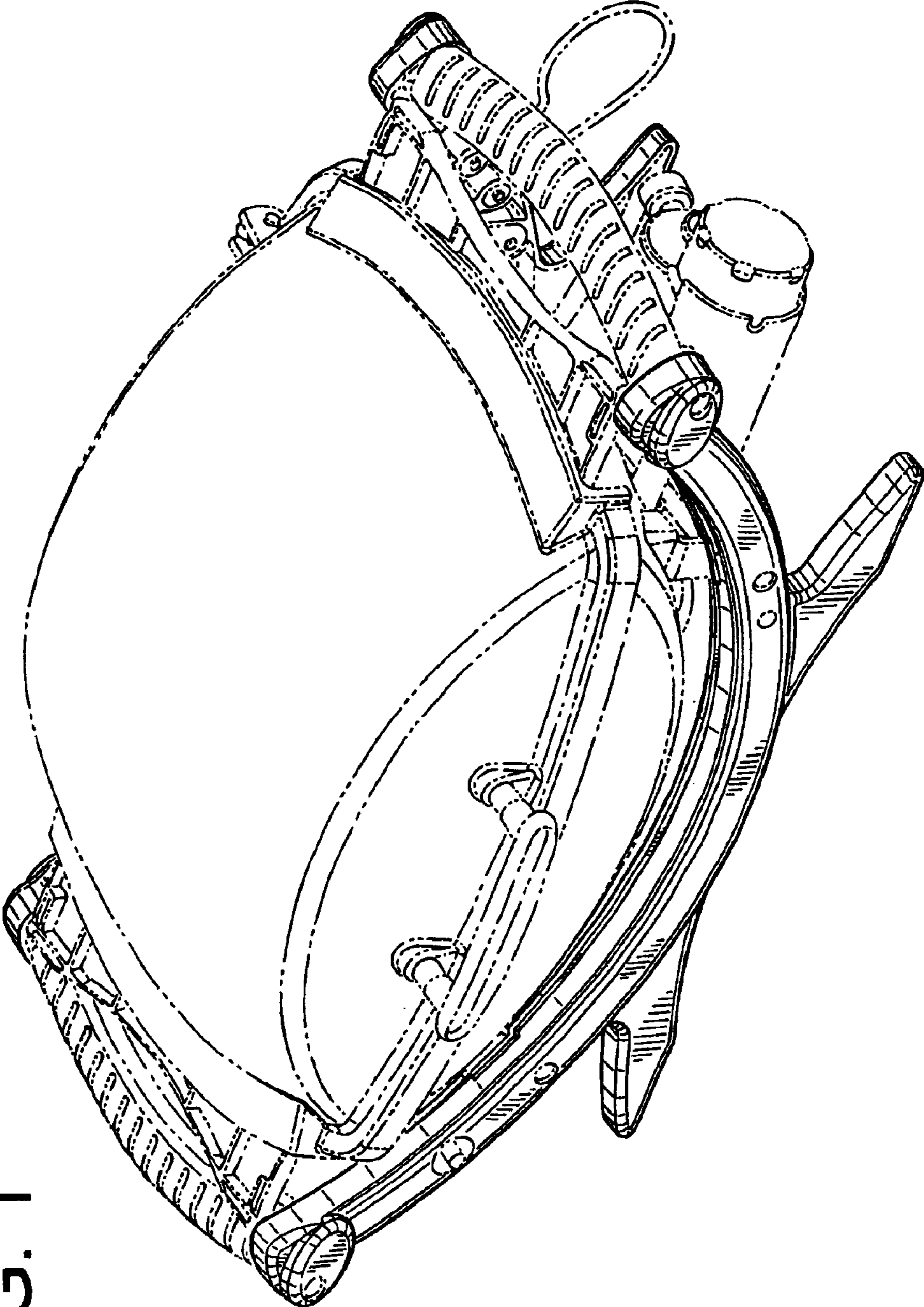


FIG. 1

FIG. 2

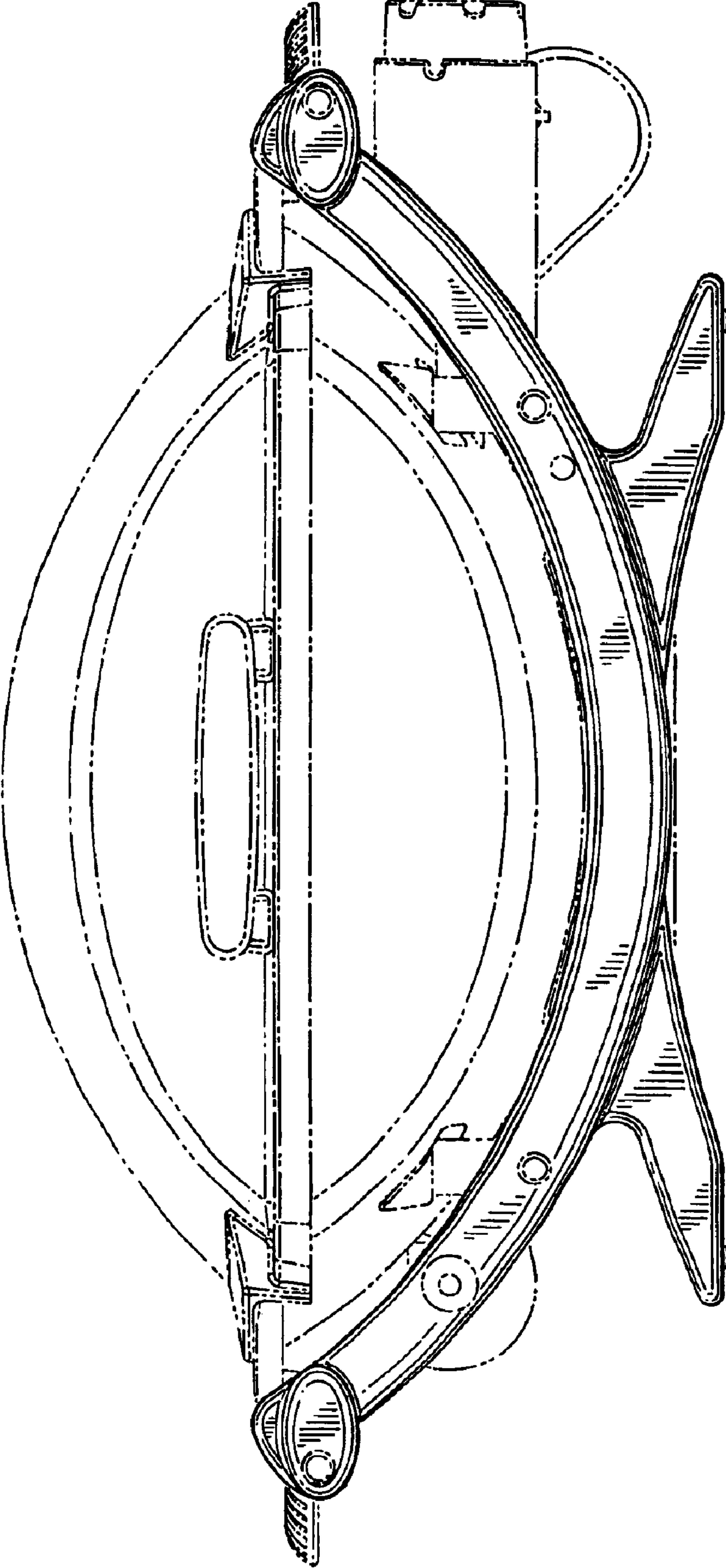
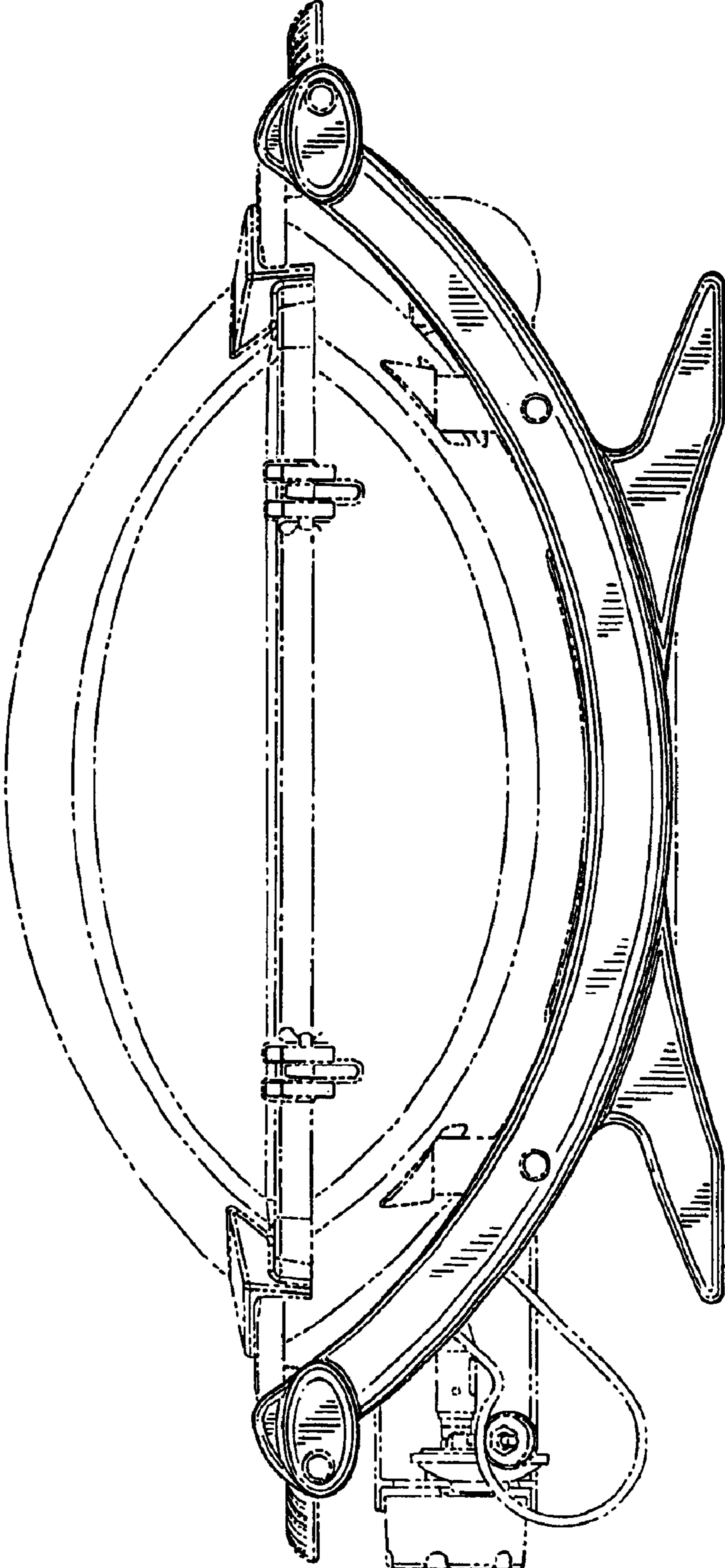


FIG. 3



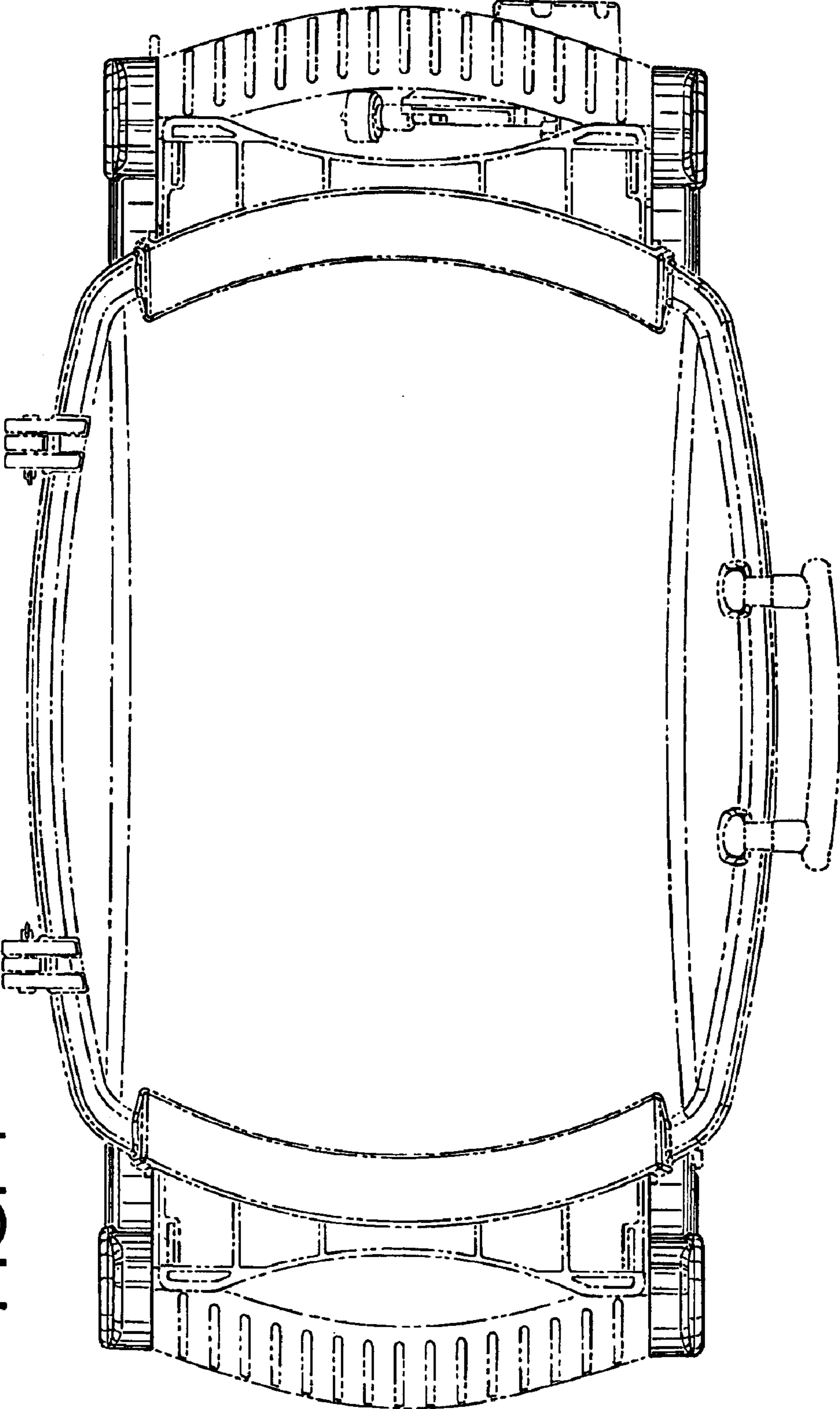


FIG. 4

FIG. 5

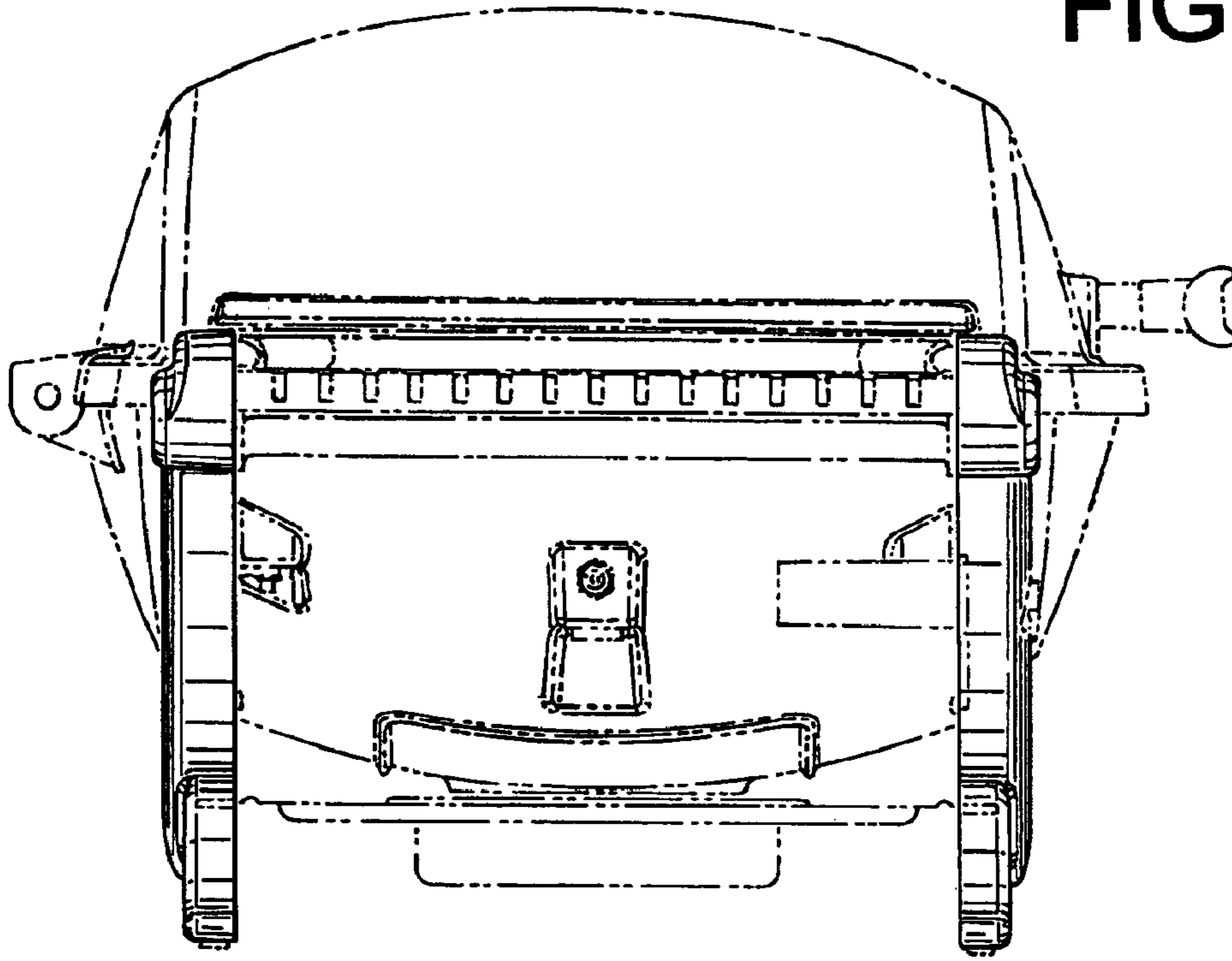


FIG. 6

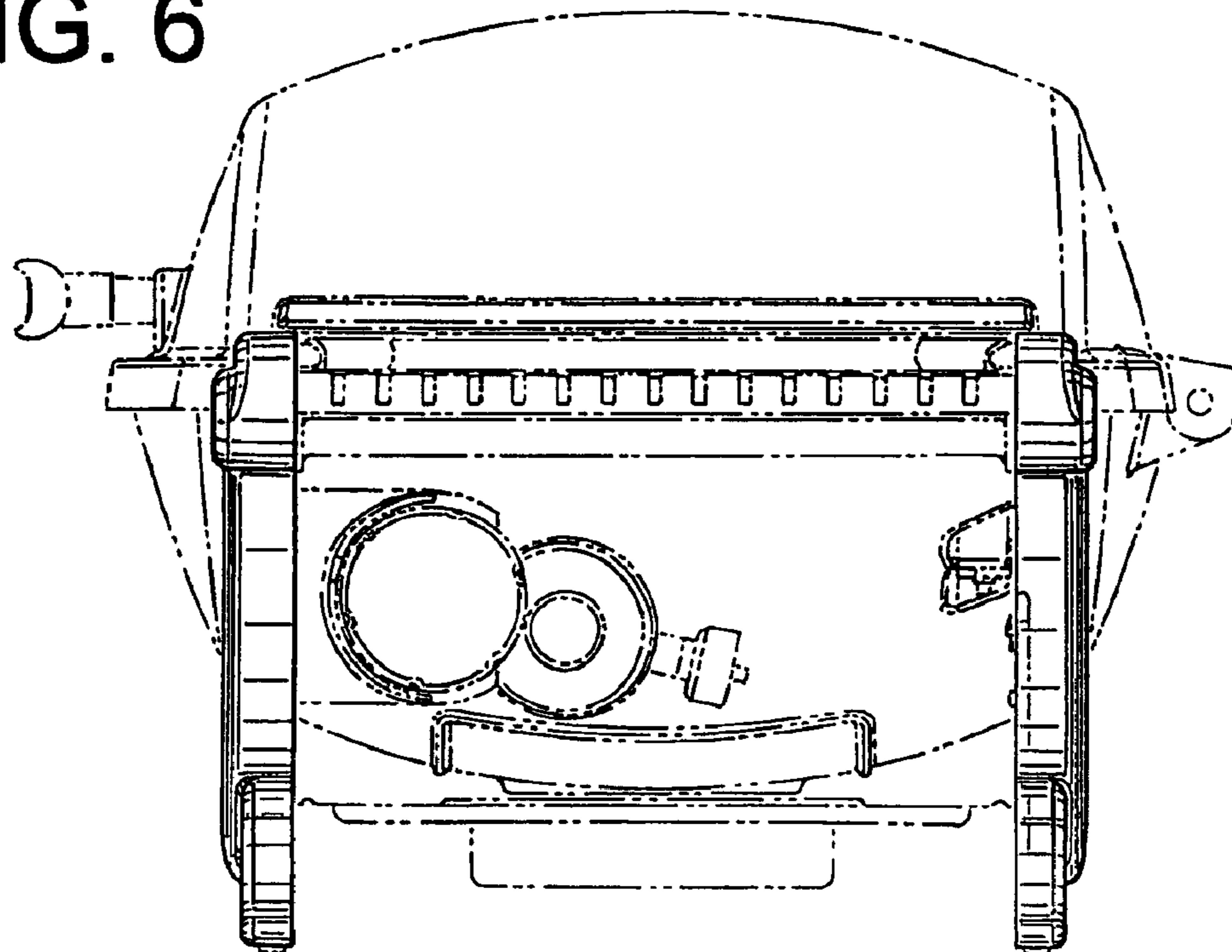
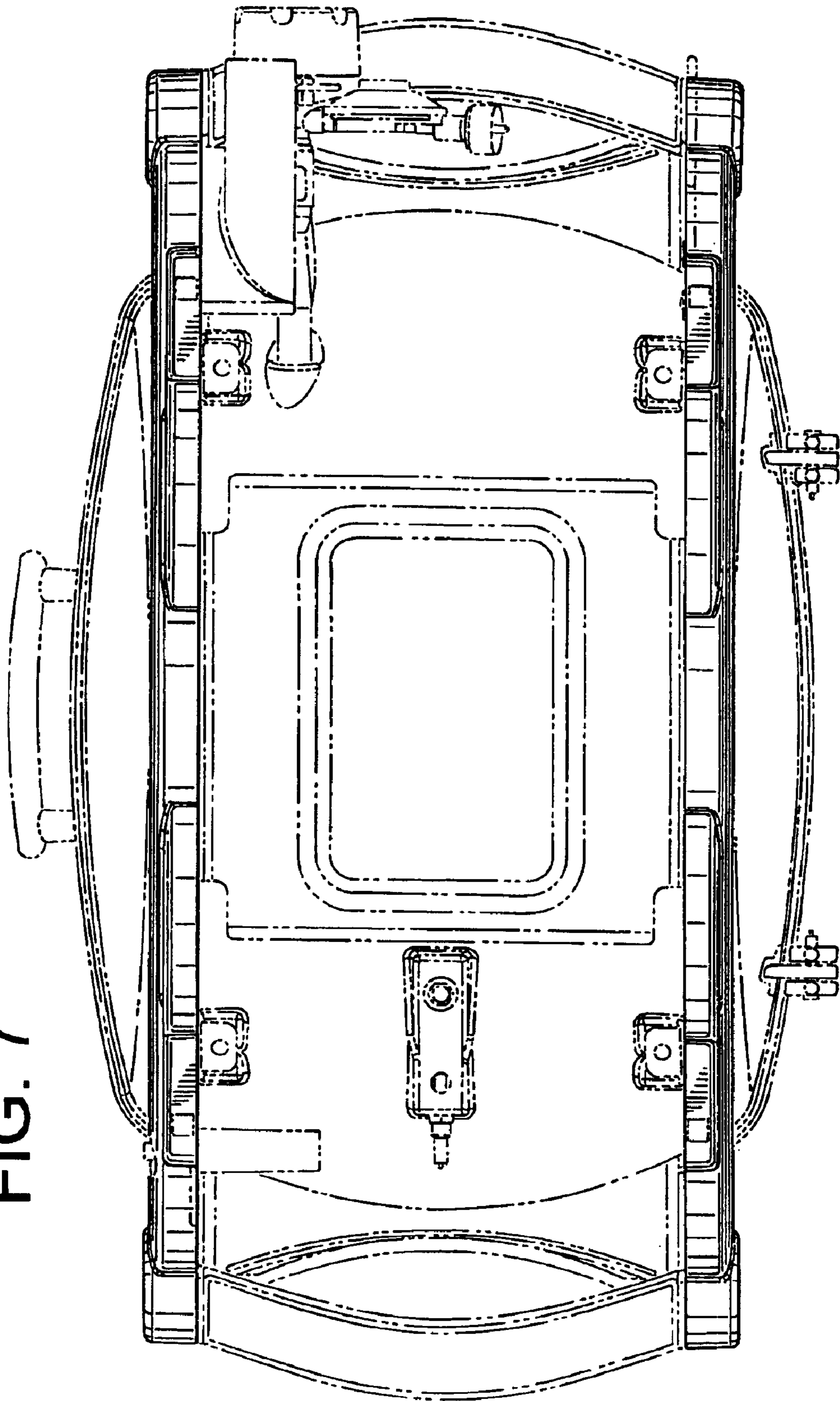


FIG. 7



UNITED STATES PATENT AND TRADEMARK OFFICE
CERTIFICATE OF CORRECTION

PATENT NO. : D503,586 S
APPLICATION NO. : 29/195699
DATED : April 5, 2005
INVENTOR(S) : Mark Johnson and Robert A. DeMars

Page 1 of 1

It is certified that error appears in the above-identified patent and that said Letters Patent is hereby corrected as shown below:

Title page, Item (75) add to Inventor:

“Robert A. DeMars, La Quinta, CA (US)”

Signed and Sealed this
Twenty-third Day of October, 2012

A handwritten signature in black ink that reads "David J. Kappos". The signature is written in a cursive style with a large initial 'D' and 'K'.

David J. Kappos
Director of the United States Patent and Trademark Office